



Échelon™ Series

Installation Guide



2075R Refrigerator and 2075RF Refrigerator/Freezer

www.U-LineService.com

Phone (414) 354-0300 • FAX (414) 354-7905
Service & Parts Tech Lines Phone (800) 779-2547 • FAX (414) 354-5696
OnlineService@U-Line.com

©2005 U-Line Corporation
02/2005

Contents

Exterior Cleaning 4
 Cut-Out Dimensions 4
 Product Dimensions 5
 Door Swing/Clearances Information 5
 Reversing the Door..... 5
 Other Site Requirements 6
 Side-By-Side Installation Instructions 7
 Custom 1/4" Door Panel Insert 7
 Full Overlay Door Panel 8
 Checking Door Alignment 12
 Adjusting Door Alignment 12
 Electrical Specifications 13
 Leveling Information 13
 Installation Tip 13
 Installation of the 2075R/2075RF 14
 Relocating the Shelves 14
 Installation Troubleshooting 14
 Initial Start-Up 15
 Start-Up Troubleshooting 15
 Service Information 16

1 Follow Safety Precautions

IMPORTANT

PLEASE READ all instructions completely before attempting to install or operate the unit.

- This unit requires connection to a grounded (three-prong), polarized receptacle that has been placed by a qualified electrician in accordance with applicable electrical codes.

Safety Alert Definitions

Safety items throughout this guide are labeled with a Danger, Warning or Caution based on the risk type:

⚠ DANGER

Danger means that failure to follow this safety statement will result in severe personal injury or death.

⚠ WARNING

Warning means that failure to follow this safety statement could result in serious personal injury, or death.

⚠ CAUTION

Caution means that failure to follow this safety statement may result in minor or moderate personal injury, property or equipment damage.

General Precautions

Use this appliance for its intended purpose only and follow these general precautions along with those listed throughout this guide:

WARNING

SHOCK HAZARD — Electrical Grounding Required.

- **Keep the unit unplugged throughout installation except during testing.**
- **Never remove the round grounding prong from the plug and never use a two-prong grounding adapter.**
- **Never use an extension cord to connect power to the unit.**
- **Always keep your working area dry.**

CAUTION

- Use care when moving and handling the unit. Use gloves to prevent personal injury from sharp edges.
- Do not lift the unit by the door or door handle.
- Do not install the unit behind closed doors or in any way that would obstruct airflow to the front grille, which may cause the unit to malfunction.

2 Inspect and Plan

You have received a carton containing your 2075R Refrigerator or 2075RF Refrigerator/Freezer with a package inside containing a User Manual and a Product Registration Card. Complete and mail the Product Registration Card or register online at www.U-LineService.com. Once your unit is installed, keep the User Manual and this Installation Guide in a safe place for future reference.

Your unit is Black, White or Stainless Steel. Black and White units have a reversible door with a slightly contoured handle across the top. They come with a flush mounted door panel that, when removed, will accept a custom 1/4-inch thick door panel or a 3/4-inch thick full overlay door panel. Stainless Steel units are covered with a protective coating and have been ordered left- or right-hand hinged. The Stainless doors are not reversible and do not accept custom panels. Please carefully follow the directions that apply to your unit and your intended design.

Tools/Materials Required

- 7/64" Allen wrench
- Screwdrivers — slotted and Phillips head
- 1/4-inch thick door panel material and cutting tools (Black or White units)
- Full Overlay Door Panel Kit (part number U-OL2075B — Black or part number U-OL2075W — White), 3/4-inch door panel overlay, cutting tools, drill and bits (Black or White units)

Inspection

Unwrap and inspect the unit on a flat, level surface capable of supporting its entire weight.

Removing Protective Coating

(Stainless Steel Units Only)

When inspecting/installing a Stainless Steel unit, the protective coating covering the unit must be removed first. Start at a corner of the unit/door and pull back the protective coating to remove it from the unit/door.

After all the protective coating has been removed from the unit/door, clean all Stainless Steel surfaces with Claire Stainless Steel Polish and Cleaner or comparable product or a mild detergent and warm water solution and soft cloth. Do NOT use abrasive cleaning agents.

Note: If cleaning with mild detergent and warm water solution and soft cloth, the unit MUST be treated with Claire Stainless Steel Polish and Cleaner or comparable product to prevent discoloration.

Exterior Cleaning

(As Required)

Black and White Models:

- The door, grille and cabinet may be cleaned with a mild detergent and warm water solution. Do not use solvent-based or abrasive cleaners. Use a soft sponge and rinse with clean water. Wipe with a soft, clean towel to prevent water spotting.

Stainless Steel Models:

- Stainless steel models can discolor when exposed to chlorine gas, pool chemicals, salt water or cleaners with bleach.
- Keep your stainless steel unit looking new by cleaning with a good quality all-in-one stainless steel cleaner/polish on a monthly basis. For best results use Claire Stainless Steel Polish and Cleaner, which can be purchased from U-Line Corporation. (The part number is 173348.) Comparable products are acceptable. Frequent cleaning will remove surface contamination that could lead to rust. Some installations may require cleaning on a weekly basis.
- **Do not clean with steel wool pads.**
- **Do not use cleaners that are not specifically intended for stainless steel (this includes glass, tile and counter cleaners).**
- If any surface discolors or rusting appears, clean it quickly with Bon-Ami or Barkeepers Friend Cleanser and a non-abrasive cloth. Always clean in the direction of the grain. Always finish this process with Claire Stainless Steel Polish and Cleaner or comparable product to prevent further problems.
- **Use of abrasive pads such as Scotchbrite will cause the graining in the stainless to become blurred.**
- Rust that is allowed to linger can penetrate into the surface of the stainless steel and complete removal of the rust may not be possible.

3 Prepare Site

Your U-Line product has been designed for either free-standing or built-in installation. When built-in, your unit does not require additional air space for top, sides or rear. However, the front grille must NOT be obstructed and clearance is required for electrical connection in the rear.

Note: Unit can NOT be installed behind a closed cabinet door.

Cut-Out Dimensions

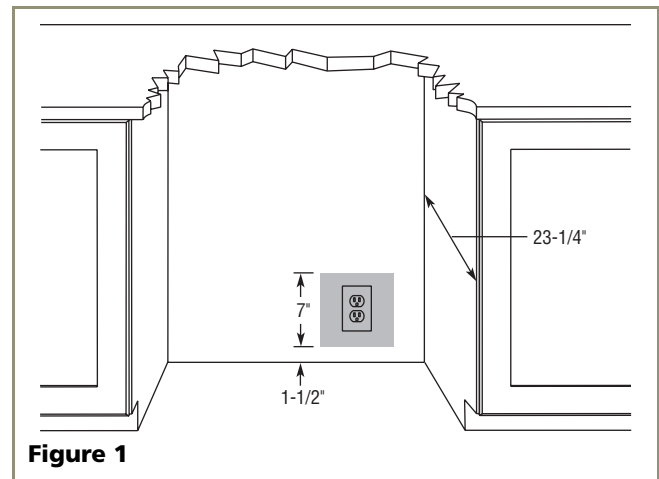
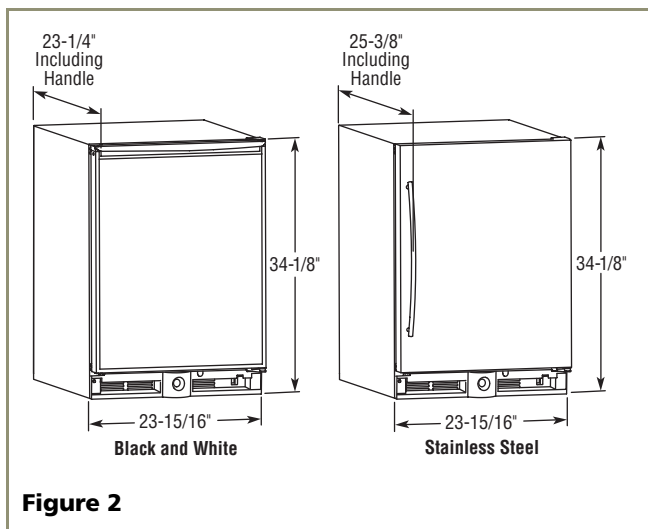


Figure 1

Follow the cut-out drawing in **Figure 1**. The 24-3/16" width allows 1/4" for ease in installation and removal of the unit. 24" is the counter depth in most installations. The unit is 23-1/4" deep including the handle on Black and White models and 23-1/4" deep including the door and *not* the handle on Stainless Steel models (see **Figure 2**).

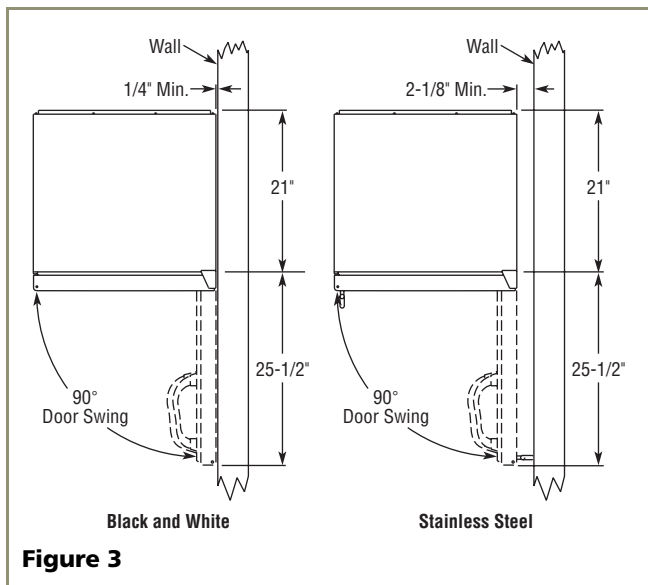
Product Dimensions



Please note that the unit has adjustable feet that can add one additional inch to height during leveling or to match adjacent cabinets (see **Figure 32** on **Page 13**).

Door Swing/Clearances Information

Black and White units have a zero clearance for the door to open 90° (see **Figure 3**). Stainless Steel models require a minimum of 2-1/8" door clearance to accommodate the handle if the unit is installed next to a wall or similar type of structure.



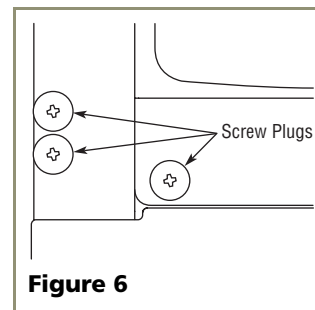
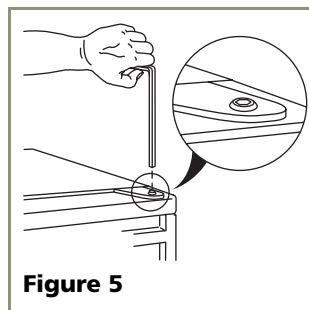
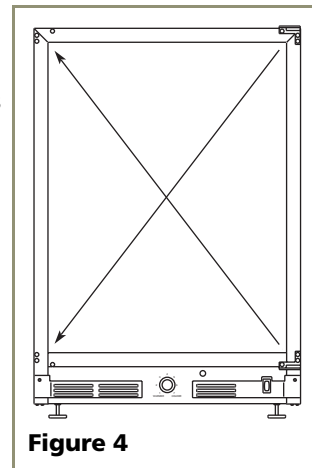
Reversing the Door

(Black and White Units Only)

All U-Line units (except Stainless Steel models) may be left- or right-hand opening. The door opening is easily reversed by moving the hinge hardware to the opposite side. The top hinge hardware will be used on the bottom of the other side and the bottom hinge hardware will be used on the top of the other side (see **Figure 4**).

To reverse the door:

1. Remove top hinge screw pin from door (7/64" Allen wrench or Phillips screwdriver, depending on your unit's construction) (see **Figure 5**). Remove door by tilting forward and lifting off bottom hinge pin.
2. Remove plastic screw plugs (3 each, top and bottom) from new hinge location. Do not discard (see **Figure 6**).



3. Remove top hinge (3 screws), reinstall hinge screw pin, and remount on opposite side **BOTTOM** (see **Figure 7**).

- Remove the two door closer inserts from the existing bottom hinge and install as shown on the new bottom hinge (see **Figure 8**).

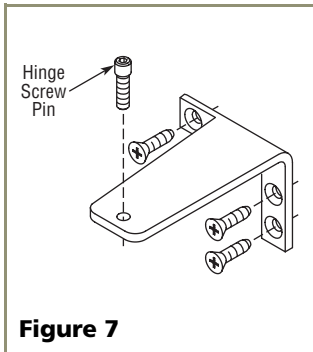


Figure 7

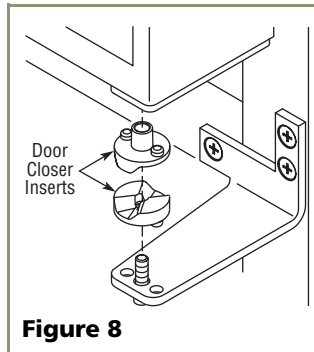


Figure 8

- Remove existing bottom hinge (3 screws) and remount on opposite side TOP. Remove hinge screw pin.
- Remove the plastic hole plug from the top of the door to allow the pivot pin to be inserted in the new location. Install the plug into the vacated hole on the opposite side.
- With bottom of door facing up, remove pivot plate (2 screws), flip over, and remount on opposite side of door (see **Figure 9**). Be sure notch in plate faces center.

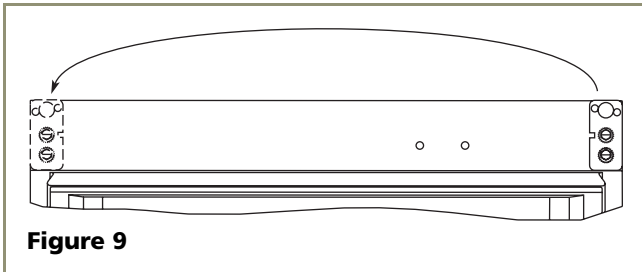


Figure 9

- Holding door upright with top of door tilted forward, place hole of door pivot plate on bottom hinge screw pin (see **Figure 10**).
- Tilt top of door into position in top hinge and install top hinge screw pin.
- Install plastic screw plugs removed in Step 2 in old hinge holes (3 each, top and bottom).

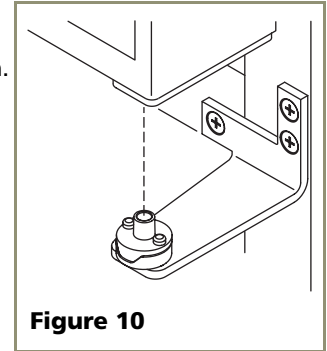


Figure 10

Other Site Requirements

Power Supply

The unit requires a grounded and polarized 115 VAC, 60 Hz, 15A circuit (normal household current). See *Electrical Specifications* on **Page 13**.

Environmental Requirements

The surrounding air temperature must be at least 50°F (10°C) but must not exceed 110°F (40°C). Black and White units may be installed outdoors in a covered area. Stainless Steel 2075R and 2075RF units are deemed suitable for outdoor use by UL. The unit must not be located near heat-generating equipment or in direct sunlight.

Side-By-Side Installation Instructions

For a complete refreshment center, install your 2075R or 2075RF Model beside a U-Line Ice Maker, Combo or Wine Captain Model (see **Figure 11** for typical cut-out). Note that each Side-By-Side Installation will be different.

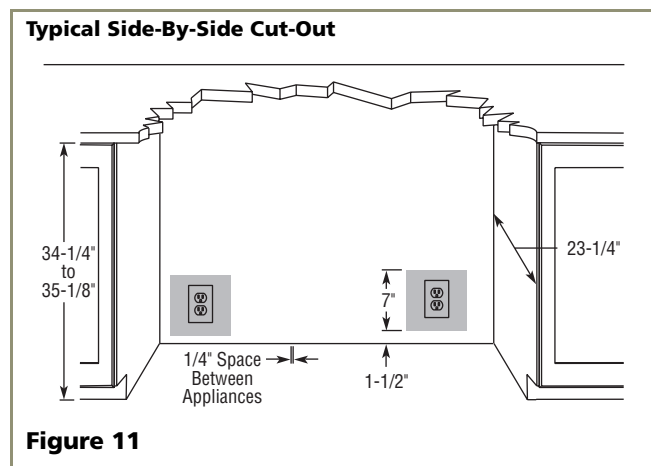
- Cut-out width for a side-by-side installation is the total of the widths listed under *Cut-Out Dimensions* in each unit's Installation Guide.

For example:

Placing a 2075R or 2075RF next to a 2015 series unit would require a cut-out width of:
 $24\text{-}3/16" + 15\text{-}3/16" = 39\text{-}3/8"$

Placing a 2075R or 2075RF next to a 2075 series unit would require a cut-out width of:
 $24\text{-}3/16" + 24\text{-}3/16" = 48\text{-}3/8"$

- No trim kit is required. However, 1/4-inch space needs to be maintained between the units to ensure unobstructed door swing.
- Units must operate from separate, properly grounded electrical receptacles placed according to each unit's *Electrical Specifications*.



4 Prepare and Install Door Panel

(Black and White Units Only)

Two types of custom door panels can be installed on your Black or White unit to harmonize with or accent the surrounding décor: a Custom 1/4" Insert or a Full Overlay. If no custom door panel is used, go on to **5 Adjust Door**.

Custom 1/4" Door Panel Insert

Door Panel Preparation

A custom door panel can be inserted into the doorframe. Custom door panels can be flat or raised, as long as the maximum panel thickness where inserted into the door reveal (channel) is 1/4"-thick. For raised panels, the depth of the reveal is 1/4" on all four sides.

IMPORTANT

Raised panels will reduce the door's 90° swing/zero clearance if the unit is installed next to a wall or similar type of structure (see **Page 5**).

Cut the panel insert to the following dimensions.

Custom 1/4" Dimensions:

Width: 23-1/32"

Height: 28-5/32"

The door panel must not weigh more than 20 lbs.

Door Panel Installation

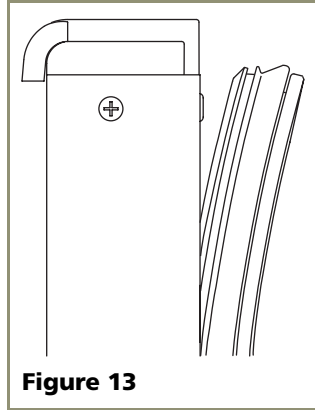
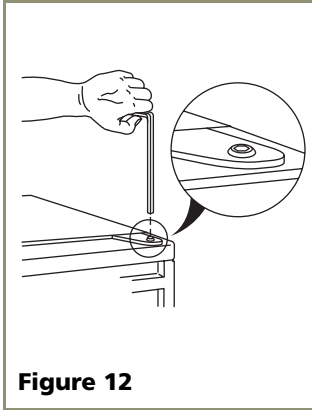
Install the insert as follows:

1. Remove the door shelves by first pulling shelves up at a 45° angle then straight out (see **Figure 34** on **Page 14**).

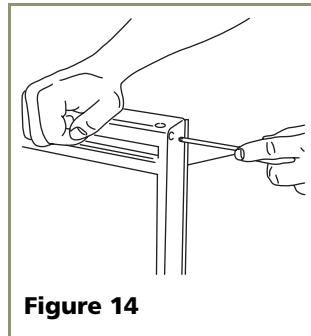
CAUTION

Use care when handling the insert. Insert edges may be sharp.

2. Remove top hinge screw pin (7/64" Allen wrench or Phillips screwdriver, depending on your unit's construction, see **Figure 12**). Remove door by tilting forward and lifting off bottom hinge pin.



3. Pull door gasket out of groove (top edge of door only). Start in the middle and pull outward, moving toward the edge (see **Figure 13**). This may take some force. Do not remove the three screws behind gasket.
4. Remove two outside screws holding door handle. Slightly separate door handle from door (see **Figure 14**).
5. Pull handle up and off.
6. Remove and discard existing panel and cardboard spacer.
7. Slide custom door panel insert into 1/4-inch channel in door front.
8. Holding door gasket out of the way, replace handle on door, making sure it is seated properly on insert and that screw holes line up.
9. Install two small screws removed in Step 4.
10. Starting at the corners and working inward, push door gasket into place on door.
11. Place door on bottom hinge pin and install upper hinge screw.
12. Reinstall the door shelves by lining up the bosses and first pushing straight in, then down at a 45° angle (see **Figure 34** on **Page 14**). Go on to **5 Adjust Door**.



Full Overlay Door Panel

Door Panel Preparation

A full overlay door panel completely covers the doorframe and handle to give a built-in appearance. See your U-Line dealer for the optional Full Overlay Door Panel Kit (P/N U-OL2075B — Black or P/N U-OL2075W — White). Appropriate hardware, Modified Handle, Replacement Hinges and a copy of these instructions will be included in the kit.

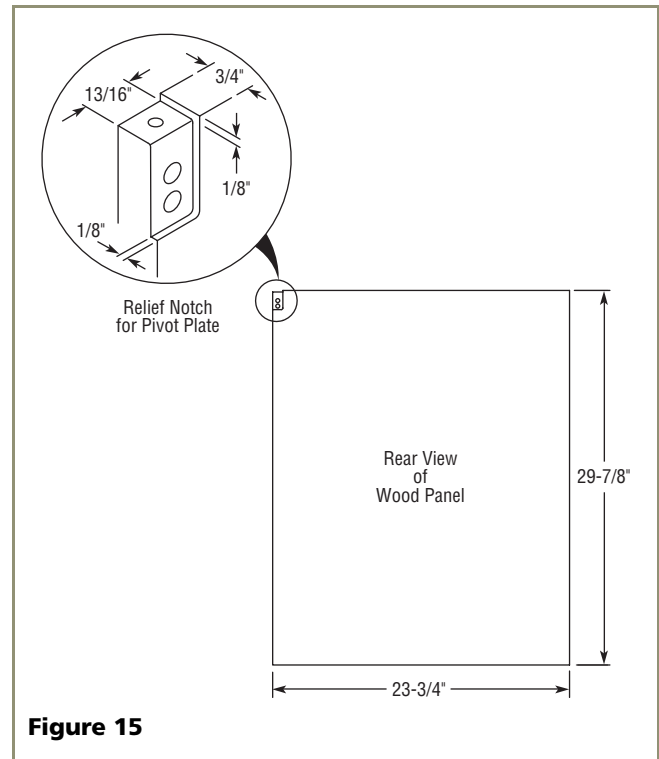
1. Cut the overlay to the following dimensions (see **Figure 15**).

Full Overlay Dimensions:

Width: 23-3/4"

Height: 29-7/8"

The door panel must not weigh more than 20 lbs.



IMPORTANT

Rear View of wood panel for right-hand hinge shown. Use mirror image for left-hand hinges.

2. Create a relief (**Figure 15**) for pivot plate by cutting notch in top corner and coinciding back corner of overlay panel. Refer to **Figure 16** for exact specifications.

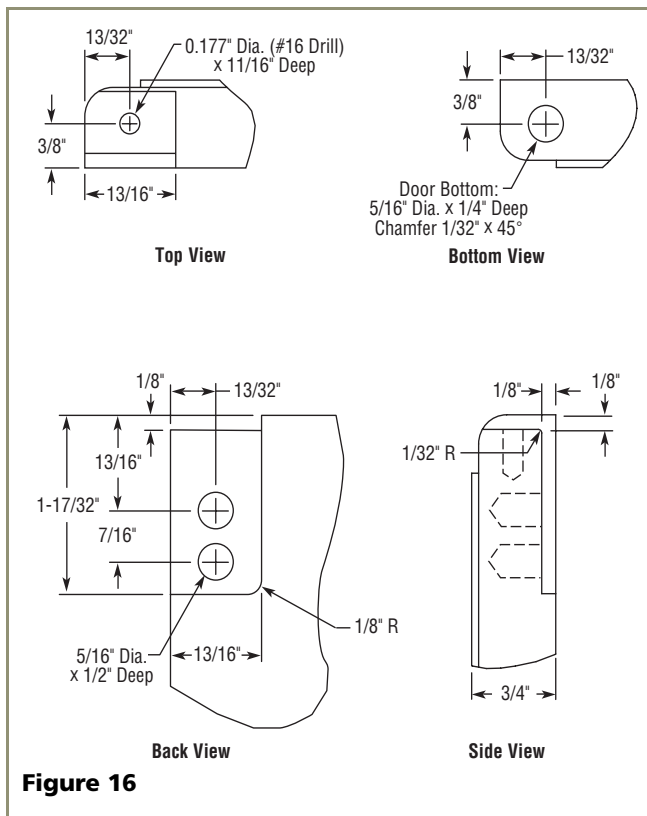


Figure 16

Route notch in top corner of overlay panel as shown (see Top and Side Views). Top of notch is entire depth of panel, front to back.

Width: 13/16"

Depth: 1/8"

Route notch in backside of top corner of overlay panel (see Back and Side Views).

Width: 13/16"

Depth: 1/8"

Height: 1-17/32" from top edge of panel (less 1/8" for depth of notch on top of panel)

Radius of corner notch: 1/8" (see Back View)

3. Drill holes for pivot plate mounts (see **Figure 16**, Back View).

5/16" diameter x 1/2" deep, from the routed surface

CAUTION

Be careful not to drill too deep! Drilling holes too deep may destroy your door panel.

4. Drill hole for upper door hinge (top of panel) (see **Figure 16**, Top View).

0.177" diameter
(#16 drill) x 11/16" deep

5. Drill hole for lower door hinge (see **Figure 16**, Bottom View).

5/16" diameter x 1/4" deep

CAUTION

It is important to ensure that all drilled holes are drilled to the correct depth in order to avoid splits in the wood when hardware is installed.

Installation Instructions

Removing Existing Door

1. Remove the door shelves by first pulling shelves up at a 45° angle then straight out (see **Figure 34** on **Page 14**).
2. Remove top hinge screw pin (7/64" hex key or Phillips screwdriver, depending on your unit's construction). Remove the door by tilting forward and lifting off the bottom hinge pin.
3. Pull door gasket out of the groove (top edge of door only). Start in the middle and pull outward, moving toward the edge (see **Figure 17**). This may take some force.

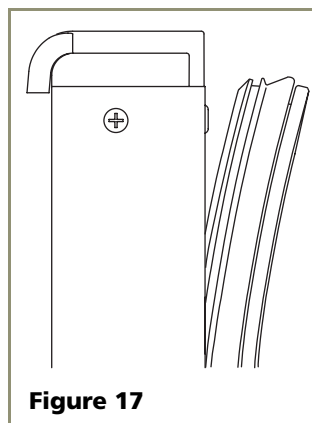


Figure 17

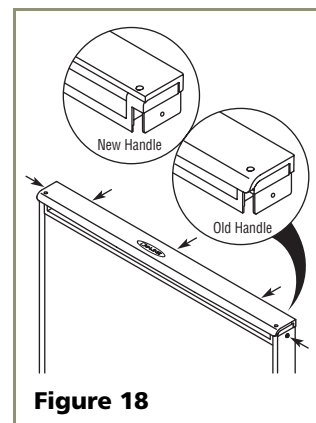


Figure 18

4. Remove the three screws located on the back of the handle (see **Figure 18**).

5. Remove the top handle and discard. (This handle will be replaced with the Modified Handle included in the Full Overlay Door Panel Kit.)
6. Remove the two screws located on both sides of the lower handle. Remove the handle.
7. Attach the Modified Handle to the lower handle using the three screws removed in Step 4. Set aside.
8. Slide the existing door panel out of the doorframe.

Attaching the Full Overlay Panel

1. Tap nylon inserts into the top holes drilled in the overlay panel. Use two #6 screws to attach top pivot bracket to the overlay panel (see **Figure 19**).

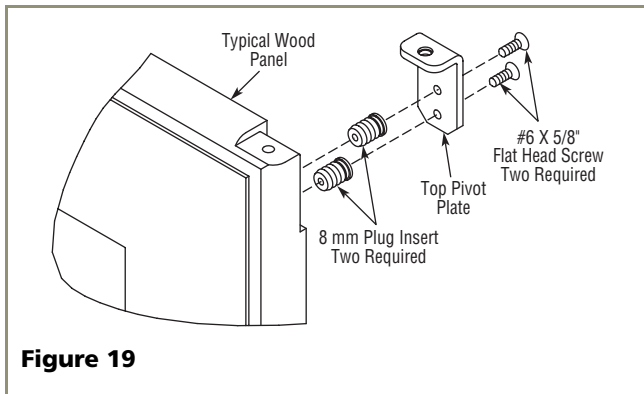


Figure 19

2. Place and tape the existing door panel on the back of the overlay panel (see **Figure 20**) and drill holes through both panels according to **Figure 21**. Remove tape adjoining the panels and enlarge the seven holes in the overlay panel using a 0.201" (#7) drill.
3. If a user-supplied cabinet handle will be used, attach its hardware to the overlay panel at this time.

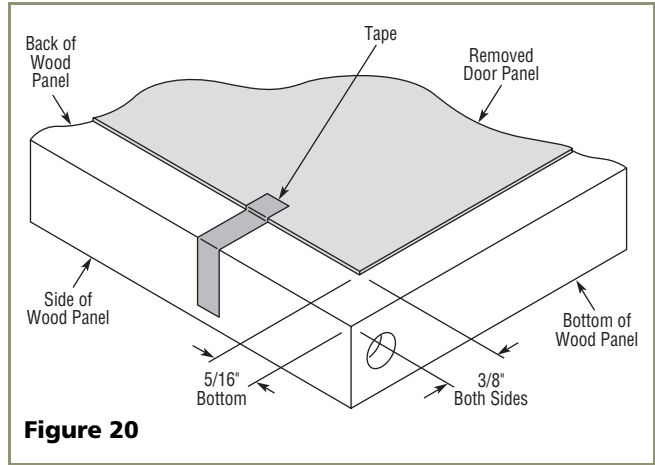


Figure 20

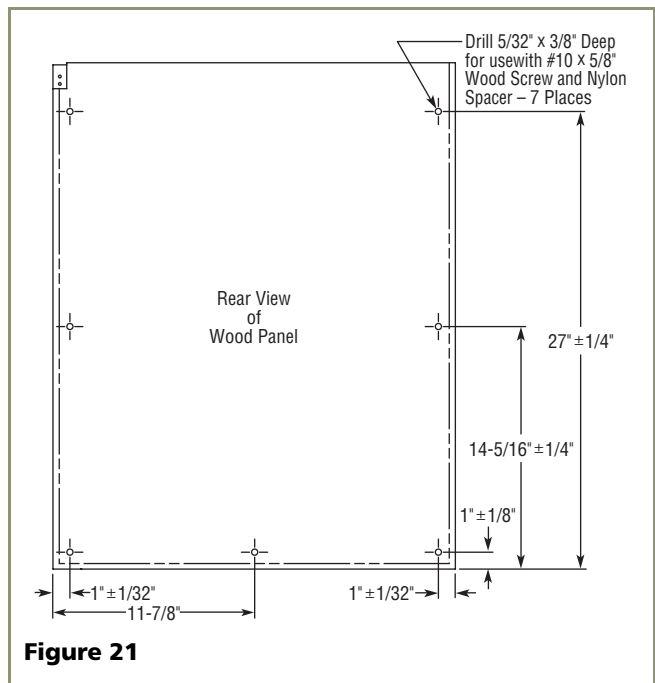


Figure 21

4. Attach the door panel to the overlay panel using #10 x 5/8" wood screws and nylon spacers. The nylon spacers fit between the overlay panel and the door panel as shown in **Figure 22**. The spacers allow the original door panel to slide back into the 1/4"-thick door reveal (channel).

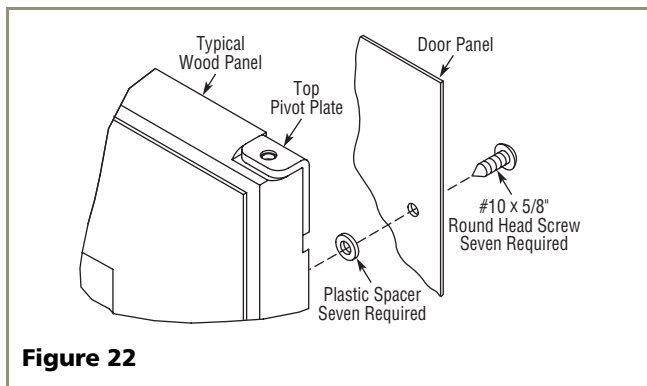


Figure 22

5. Remove the existing bottom pivot plate and replace with the Full Overlay pivot plate (see **Figure 23**).

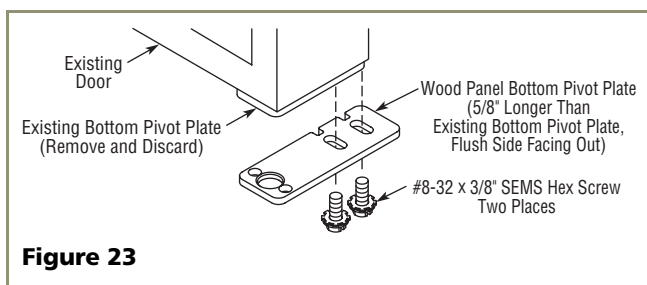


Figure 23

IMPORTANT

Door panel and overlay panel must be aligned properly or the door will not operate correctly.

Assembling the Door

1. Install the assembled panel by sliding the original door panel back into the doorframe.
2. Replace the two-piece Modified Handle assembly and secure with the two screws removed in Step 6 under *Removing Existing Door*.
3. Starting at the corners and working toward the center, push the door gasket back into place.

Installing the Door

1. Remove the existing hinges from the unit, saving the door closure assembly.
2. Install the new Replacement Top Hinge onto the unit (see **Figure 24**).

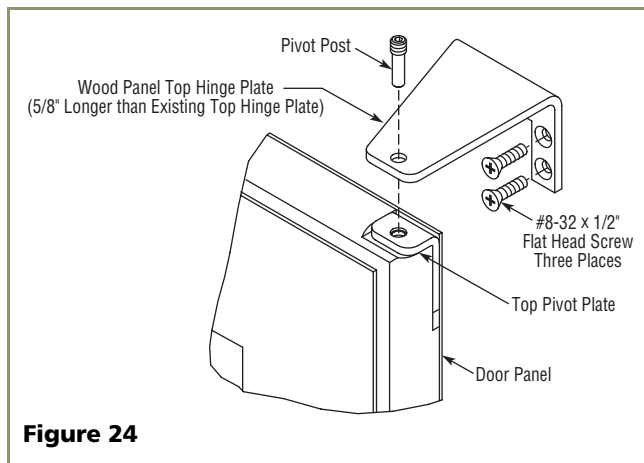


Figure 24

3. Install the pivot post into the new Replacement Bottom Hinge (using the 7/64 inch hex key or Phillips screwdriver) and install the hinge onto the unit.
4. Replace the door closure assembly onto the bottom pivot post (see **Figure 25**). Be sure that bosses on closers align with holes in hinge and hinge plate.

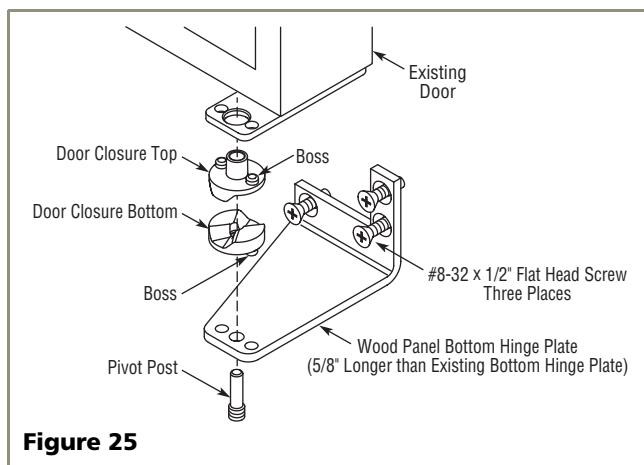


Figure 25

IMPORTANT

Pivot posts must be cleaned. Closers must also be clean and greased to ensure proper operation.

5. Place the modified door onto the pivot post.
6. Position door and install the pivot post into the top hinge (using the 7/64 inch hex key or Phillips screwdriver).
7. Adjust door as needed for proper closure.
8. Check to see that light switch actuator bracket is contacting the light switch properly.
9. Reinstall the door shelves by lining up the bosses and first pushing straight in, then down at a 45° angle (see **Figure 34** on **Page 14**). Go on to **5 Adjust Door**.

5 Adjust Door

Checking Door Alignment

The unit's door is aligned at the factory before shipment. However, its alignment could have been disturbed during shipment or during door panel installation.

IMPORTANT

Properly aligned, the door should be 1/8" below the top of the unit's cabinet, NOT flush with the top (see **Figure 26**).

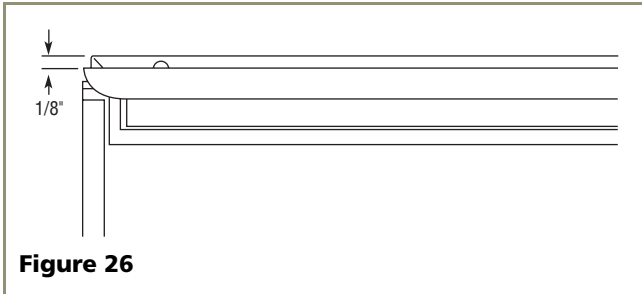


Figure 26

1. Compare the top edge of the door to the top edge of the cabinet.
2. If the door edge is 1/8" below and parallel to the top of the cabinet, go on to **6 Prepare Power Supply**. If it is not, note whether the side opposite the hinge needs to be moved UP or DOWN, and use the following procedure.

Note: If door is adjusted correctly, but panel is not square with the adjacent cabinets, slight adjustments can be made by drilling the holes in the vinyl coated steel panel slightly oversized. See **Figure 21** on **Page 10**.

Adjusting Door Alignment

1. Remove top hinge screw pin (7/64" Allen wrench or Phillips screwdriver, depending on your unit's construction, see **Figure 27**). Remove door by tilting forward and lifting off bottom hinge pin.
2. With door upside-down, loosen but do not remove the two screws on the door's bottom hinge plate.

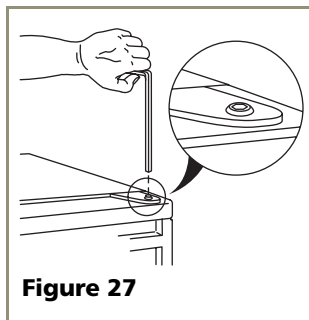


Figure 27

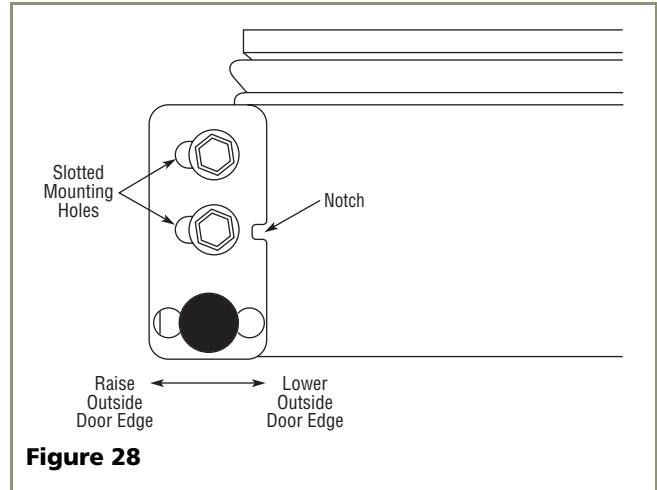


Figure 28

3. See **Figure 28**. If the top far edge of the door needs to move UP, move the hinge plate toward the outside of the door and retighten screws. If the top far edge of the door needs to move DOWN, move the hinge plate toward the inside of the door and retighten screws.
4. Mount the door to recheck alignment and repeat Steps 2 and 3 if further adjustment is necessary.
5. When top edge of door is parallel to top edge of cabinet, remove the door and ensure the two screws are secure.
6. Remove the door closers from the bottom hinge, clean thoroughly and lubricate the mating surfaces with petroleum jelly.
7. Reinstall the closers, lining up the bosses with holes in hinge and hinge plate (see **Figure 29**).
8. Mount the door, install top hinge pivot pin and go on to **6 Prepare Power Supply**.

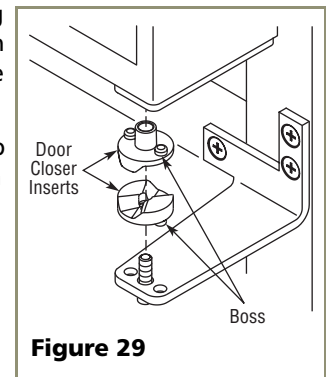


Figure 29

6 Prepare Power Supply

Electrical Specifications

CAUTION

Electrical installation must observe all state and local codes. This unit requires connection to a grounded (three-prong), polarized receptacle that has been placed by a qualified electrician.

The unit requires a grounded and polarized 115 VAC, 60 Hz, 15A power supply (normal household current). An individual, properly grounded branch circuit or circuit breaker is recommended. GFCI (ground fault circuit interrupter) is usually not required for fixed location appliances and is not recommended for your unit because a GFCI could be prone to nuisance tripping. However, be sure to consult your local codes.

See **Figure 30** for recommended receptacle location.

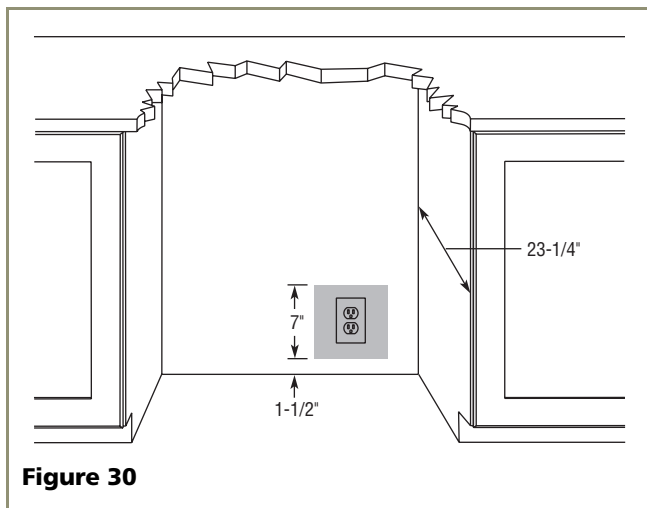


Figure 30

WARNING

SHOCK HAZARD — Electrical Grounding Required.

- **Never remove the round grounding prong from the plug and never use a two-prong grounding adapter.**
- **Never use an extension cord to connect power to the unit.**

Go on to **7 Level the Unit**.

7 Level the Unit

Leveling Information

Note: It is recommended that the unit is level.

1. Use a level to check the levelness of the unit from front to back and from side to side. Level should be placed along top edge and side edge as shown (see **Figure 31**).

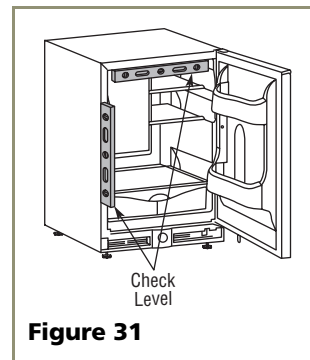


Figure 31

2. If the unit is not level, adjust the feet on the corners of the unit as necessary (see **Figure 32**).

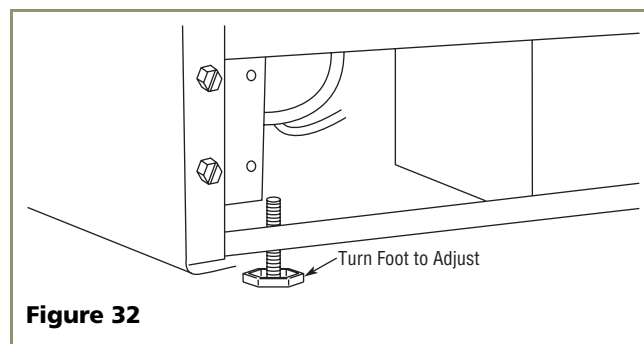


Figure 32

3. Check the levelness after each adjustment and repeat the previous steps until the unit is level. Go on to **8 Install the Unit**.

Installation Tip

If the room floor is higher than the floor in the cut-out opening, adjust the rear feet to achieve a total unit rear height of 1/8" less than the opening's rear height. Shorten the unit height in the front by adjusting the front feet. This allows the unit to be gently tipped into the opening. Readjust the front feet to level the unit after it is correctly positioned in the opening.

8 Install the Unit

Installation of the 2075R/2075RF

1. Plug in the power cord.
2. Gently push the unit into position. Be careful not to entangle the electrical cord.
3. Re-check the leveling, from front to back and side to side. Make any necessary adjustments. The unit's top surface should be approximately 1/8" below the countertop.
4. Remove the tape from the glass shelves and wipe out the inside of the unit with a clean, water-dampened cloth.

Relocating the Shelves

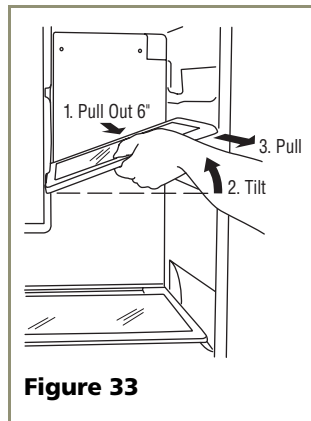
Both the glass shelves in the refrigerator and the inner door shelves can be moved to accommodate your bottles, cans and containers.

Glass Shelves on 2075R and Right-Hand Hinge 2075RF

1. Open door fully, grasp shelf firmly, lift front edge slightly, and pull straight out.
2. Choose new location and slide shelf onto the appropriate rib.

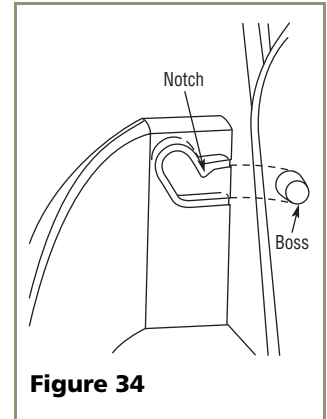
Glass Shelves on Left-Hand Hinge 2075RF

1. See **Figure 33**. Pull shelf out about 6" to clear the wall's molded protrusion.
2. Tilt right-hand edge of shelf up.
3. Keeping at this angle and hugging the right wall, pull the shelf out.
4. Choose new location and insert over ribs, tilting right-hand edge up. Push in, then lower shelf onto ribs.



Door Shelves

1. First pull shelf up at a 45° angle, then straight out (see **Figure 34**).
2. Choose new location and line up on bosses. First push straight in, then down at a 45° angle.



Installation Troubleshooting

Q: Problem

The door remains open unless it is pushed closed.

A: Solution

The hinges should be self-closing when the door is open approximately 8". If this is not the case, make sure the closers (at the bottom of the hinge pin) are clean, greased and installed correctly. Also, re-check leveling from front to back of the unit and readjust if necessary. Make sure that pivot plate is installed correctly.

Q: Problem

The custom overlay door was designed to align with the rest of the cabinet doors, but the unit has crept forward.

A: Solution

Make sure that the electrical cord is not obstructing the installation.

9 Start-Up for the First Time

Initial Start-Up

The unit is shipped with the control preset. No adjustments should be necessary at this time. For information about Adjusting the Temperature Control, see the User Manual.

 **CAUTION**

- Do not place cans or bottles so they are touching the back wall of the refrigerator section, as they may freeze.
- Do not place any objects over air inlet or outlet in the freezer section.

Start-Up Troubleshooting

Q: Problem

Unit does not appear to turn on when switch is set to ON.

A: Solution

Make sure unit is plugged in and outlet has power (circuit breaker has not tripped). Check to see that light switch actuator bracket is contacting the light switch properly.

IMPORTANT

See the User Manual's *Troubleshooting Guide* for more solutions.

Échelon™ Series

Who to Call

Service Information

If the need for service arises, contact the dealer from whom the unit was purchased. State the Model Number and Serial Number and explain the problem. The Model and Serial Number plate is located inside unit at upper right hand corner.

If you need to locate a service company, you can go online at **www.U-LineService.com** and search for a service company by zip code.

For more than four decades, U-Line has distinguished itself as the leader in built-in undercounter ice making, refrigeration and wine storage appliances.

Échelon™ SERIES / *O r i g i n s* SERIES

U-Line Corporation, located in Milwaukee, WI, is a family operated manufacturer of built-in undercounter icemakers, Combo® icemaker/refrigerators, Wine Captain® wine storage units, refrigerators, refrigerated drawers and refrigerator/freezers.

Free Manuals Download Website

<http://myh66.com>

<http://usermanuals.us>

<http://www.somanuals.com>

<http://www.4manuals.cc>

<http://www.manual-lib.com>

<http://www.404manual.com>

<http://www.luxmanual.com>

<http://aubethermostatmanual.com>

Golf course search by state

<http://golfingnear.com>

Email search by domain

<http://emailbydomain.com>

Auto manuals search

<http://auto.somanuals.com>

TV manuals search

<http://tv.somanuals.com>