



*Origins Series*

## Installation Guide



# **75R Refrigerator, 75WC Wine Captain® and 75BEV Beverage Center**

[www.U-LineService.com](http://www.U-LineService.com)

**Phone (414) 354-0300 • FAX (414) 354-7905**  
**Service & Parts Tech Lines Phone (800) 779-2547 • FAX (414) 354-5696**  
**OnlineService@U-Line.com**

©2005 U-Line Corporation  
02/2005

**Contents**

Exterior Cleaning ..... 4  
 Cut-Out Dimensions ..... 4  
 Product Dimensions ..... 5  
 Door Swing/Clearances Information ..... 5  
 Reversing the Door..... 6  
 Other Site Requirements ..... 7  
 Side-By-Side Installation Instructions ..... 7  
 Custom 1/4" Thick Door Panel Insert ..... 8  
 Adding a Final Finish Coat to Wood Trim..... 9  
 Staining Wood Trim a Different Color ..... 9  
 Checking Door Alignment ..... 10  
 Adjusting Door Alignment ..... 10  
 Electrical Specifications ..... 10  
 Leveling Information ..... 11  
 Installation Tip ..... 11  
 Installation of the 75R/75WC/75BEV ..... 11  
 Grille Installation ..... 11  
 Glass Shelf Installation ..... 12  
 Initial Start-Up ..... 12  
 Start-Up Troubleshooting ..... 12  
 Service Information ..... 13

**1 Follow Safety Precautions**

**IMPORTANT**

PLEASE READ all instructions completely before attempting to install or operate the unit.

- This unit requires connection to a grounded (three-prong), polarized receptacle that has been placed by a qualified electrician in accordance with applicable electrical codes.

**Safety Alert Definitions**

Safety items throughout this guide are labeled with a Danger, Warning or Caution based on the risk type:

**⚠ DANGER**

***Danger means that failure to follow this safety statement will result in severe personal injury or death.***

**⚠ WARNING**

***Warning means that failure to follow this safety statement could result in serious personal injury, or death.***

**⚠ CAUTION**

Caution means that failure to follow this safety statement may result in minor or moderate personal injury, property or equipment damage.

## General Precautions

Use this appliance for its intended purpose only and follow these general precautions along with those listed throughout this guide:

### WARNING

#### SHOCK HAZARD — Electrical Grounding Required.

- **Keep the unit unplugged throughout installation except during testing.**
- **Never remove the round grounding prong from the plug and never use a two-prong grounding adapter.**
- **Never use an extension cord to connect power to the unit.**
- **Always keep your working area dry.**

### CAUTION

- Use care when moving and handling the unit. Use gloves to prevent personal injury from sharp edges.
- Do not lift the unit by the door or door handle.
- Do not install the unit behind closed doors or in any way that would obstruct airflow to the front grille, which may cause the unit to malfunction.

## 2 Inspect and Plan

You have received a carton containing your 75R Refrigerator, 75WC Wine Captain® or 75BEV Beverage Center with a package inside containing a User Manual and a Product Registration Card. Complete and mail the Product Registration Card or register online at [www.U-LineService.com](http://www.U-LineService.com). Once your unit is installed, keep the User Manual and this Installation Guide in a safe place for future reference.

75R units are available in Black or White vinyl clad cabinets with matching doors and in Stainless models with a stainless steel door panel, brushed aluminum doorframe and handle, and a black cabinet. All 75R unit doors have a slightly contoured handle across the top and are reversible. The black and white doors have recessed front panels that will accept a custom 1/4 inch thick door panel. 75R units have two full and one "half" tempered glass shelves.

75WC units are Black or Stainless and have a vinyl-clad cabinet and a framed, reversible, tinted glass door with a slightly contoured handle across the top and a lock. Stainless models have a black cabinet and grille and a brushed aluminum doorframe and handle. All 75WC units have six fixed wine racks with no wood trim and one "half" tempered glass shelf.

75BEV units have a black, vinyl-clad cabinet, a brushed aluminum-framed, tinted glass door, a straight, vertical brushed aluminum handle and a black grille. They are ordered left- or right-hinged and the door is not reversible. 75BEV units come with two maple trim wine racks that can be finished or stained and two full and one "half" tempered glass shelves. They have anti-tip brackets for freestanding installations.

Please carefully follow the directions that apply to your unit and your intended design.

### Tools/Materials Required

- Screwdrivers — slotted and Phillips head
- 1/4-inch thick door panel material and cutting tools (75R units)
- Sandpaper; low odor, water clean up, quick drying finish; tack cloth and, if desired, water-based wood stain and synthetic foam brush (75BEV units)

### Inspection

Unwrap and inspect the unit on a flat, level surface capable of supporting its entire weight.

## Exterior Cleaning

(As Required)

### Black and White Models:

- Black and White surfaces may be cleaned with a mild detergent and warm water solution. Do not use solvent-based or abrasive cleaners. Use a soft sponge and rinse with clean water. Wipe with a soft, clean towel to prevent water spotting.

### Stainless Models:

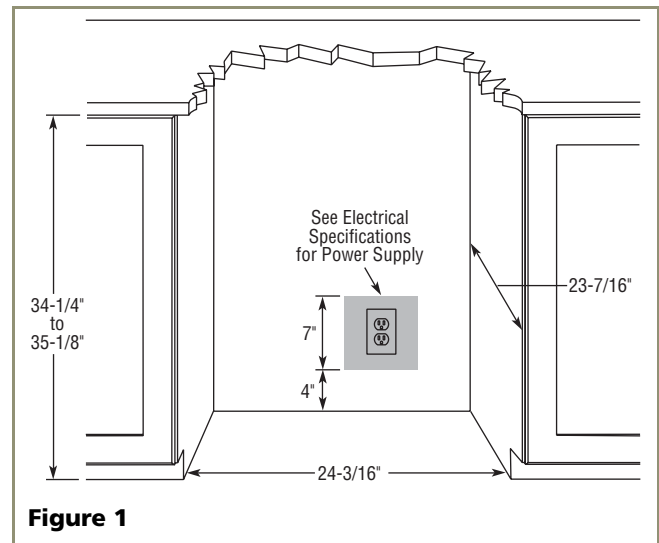
- Stainless door panels, handles and frames can discolor when exposed to chlorine gas, pool chemicals, salt water or cleaners with bleach.
- Clean any glass door fronts with a non-chlorine glass cleaner.
- Keep your Stainless unit looking new by cleaning with a good quality all-in-one stainless steel cleaner/polish on a monthly basis. For best results use Claire Stainless Steel Polish and Cleaner, which can be purchased from U-Line Corporation. (The part number is 173348.) Comparable products are acceptable. Frequent cleaning will remove surface contamination that could lead to rust. Some installations may require cleaning on a weekly basis.
- **Do not clean with steel wool pads.**
- **Do not use stainless steel cleaners/polishes on any glass surfaces.**
- **Do not use cleaners that are not specifically intended for stainless steel on stainless surfaces (this includes glass, tile and counter cleaners).**
- If any surface discolors or rusting appears, clean it quickly with Bon-Ami or Barkeepers Friend Cleanser and a non-abrasive cloth. Always clean in the direction of the grain. Always finish this process with Claire Stainless Steel Polish and Cleaner or comparable product to prevent further problems.
- **Use of abrasive pads such as Scotchbrite will cause the graining in the stainless to become blurred.**
- Rust that is allowed to linger can penetrate into the surface of the stainless steel and complete removal of the rust may not be possible.

## 3 Prepare Site

Your U-Line product has been designed for either free-standing or built-in installation. When built-in, your unit does not require additional air space for top, sides or rear. However, the front grille must NOT be obstructed and clearance is required for electrical connection in the rear.

**Note:** Unit can NOT be installed behind a closed cabinet door.

## Cut-Out Dimensions



**Figure 1**

Follow the cut-out drawing in **Figure 1**. The 24-3/16" width allows 1/4" for ease in installation and removal of the unit. 24" is the counter depth in most installations. The unit is 23-7/16" deep including the door and *not* the handle on Stainless models and 23-7/16" deep including the handle on Black and White models (see **Figure 2**).

Product Dimensions

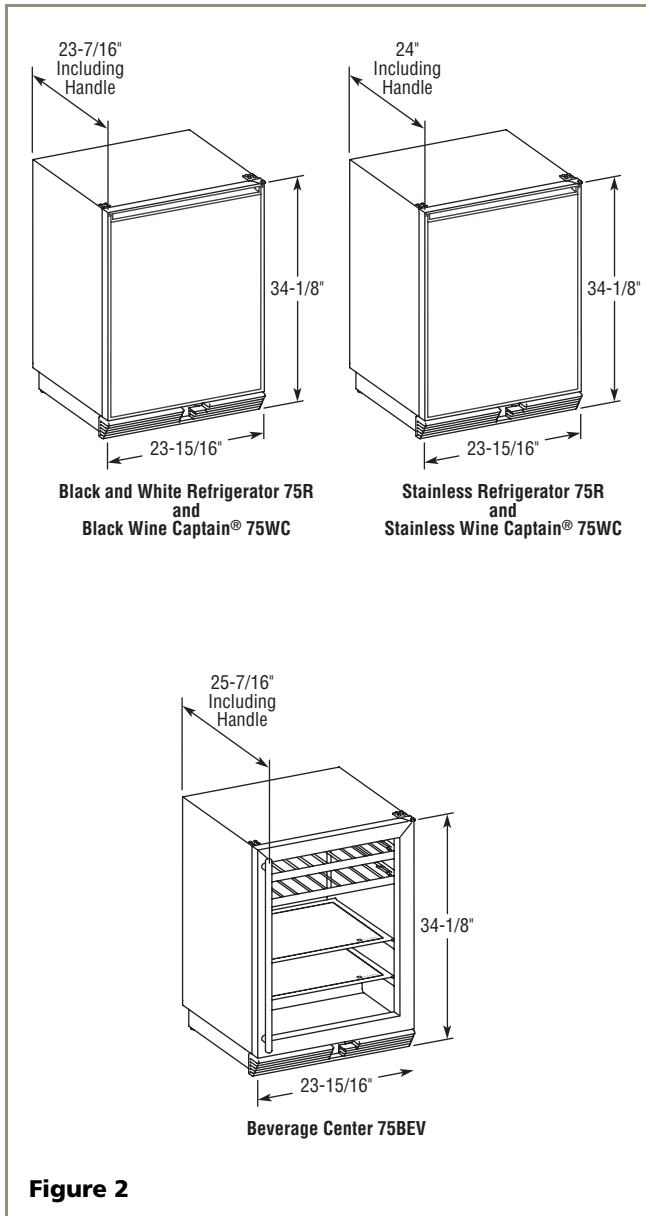


Figure 2

Please note that the unit has adjustable feet that can add one additional inch to height during leveling or to match adjacent cabinets (see **Figure 20** on **Page 11**).

Door Swing/Clearances Information

Black and White 75R units have a zero clearance for the door to open 90° (see **Figure 3**). Stainless 75R and 75WC units require a minimum of 9/16", Black 75WC units require a minimum of 3/16" and 75BEV units require a minimum of 2" door clearance to accommodate the handle if the unit is installed next to a wall or similar type of structure.

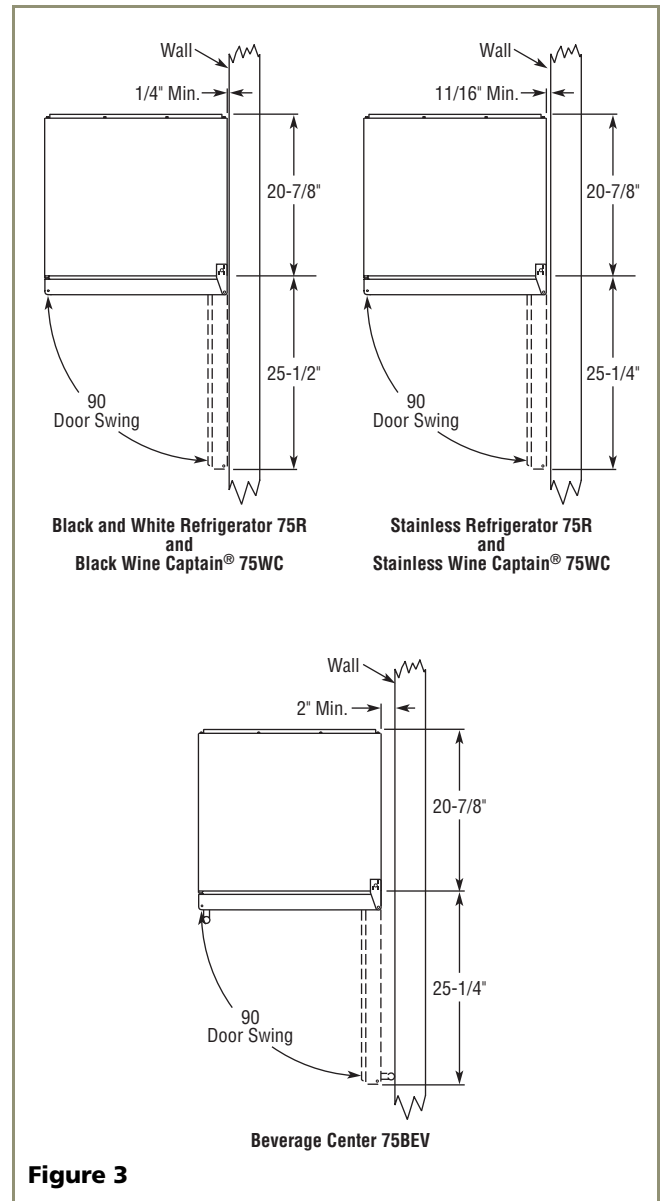


Figure 3

## Reversing the Door

(75R Units Only)

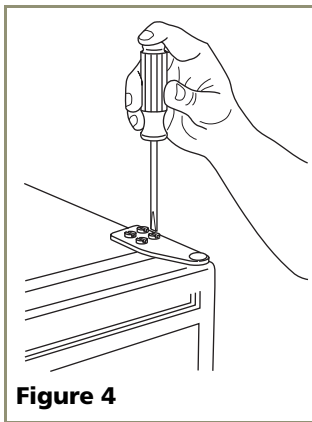
All units may be left- or right-hand opening (75BEV units cannot be field-reversed).

### Black and White 75R Units

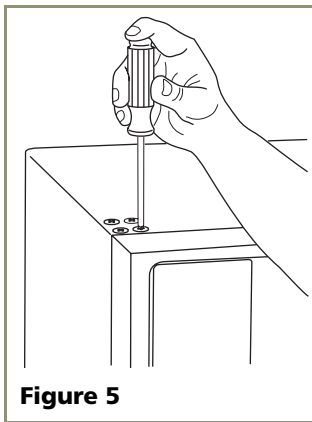
*Note:* The grille should not yet be installed. If it has been installed, remove it for door reversing. See **Page 11**.

To reverse the door on Black or White 75R Refrigerator models:

1. Remove top hinge from cabinet (four screws). See **Figure 4**. Hold door to keep it from falling.
2. Lift the door off the bottom hinge.

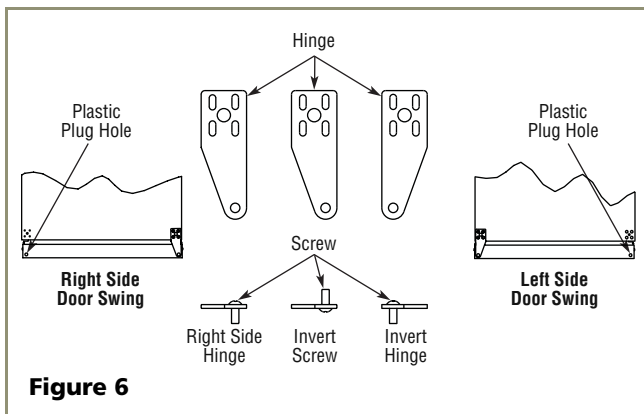


**Figure 4**



**Figure 5**

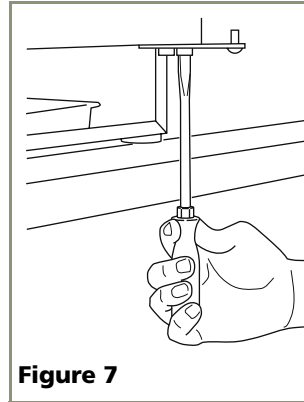
3. Remove four plastic plugs in hinge holes, top of cabinet, opposite side. See **Figure 5**. Be careful not to scratch cabinet.
4. Remove pivot screw from top hinge, invert screw and reinstall pivot screw in top hinge. See **Figure 6**. Do not install hinge on cabinet at this time.



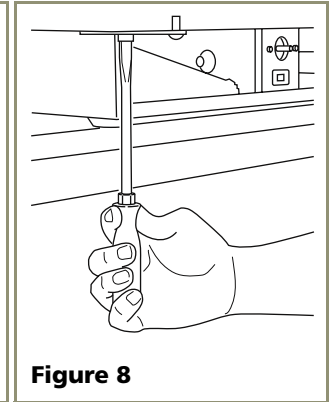
**Figure 6**

5. Remove bottom hinge from cabinet (four screws) and screws on opposite side of cabinet. See **Figure 7**.

6. Remove pivot screw from bottom hinge, invert screw and reinstall pivot screw in hinge. See **Figure 6**.
7. Install bottom hinge on cabinet, opposite side, aligning flat edge of hinge with outer edge of unit. Partially tighten screws. See **Figure 8**.

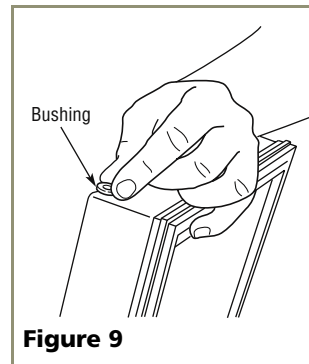


**Figure 7**

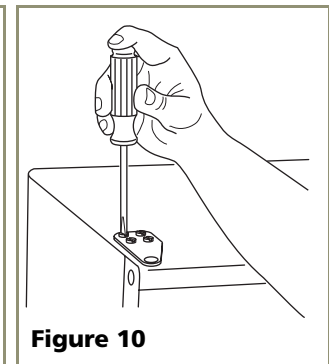


**Figure 8**

8. Relocate plastic spacer/bushing on bottom of door to the opposite side. See **Figure 9**. Clean out bushing hole in door bottom if necessary.



**Figure 9**



**Figure 10**

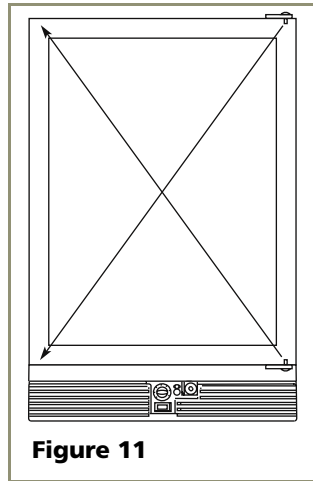
9. Place door on lower hinge pin. Align flat edge of top hinge with outer edge of unit and fasten upper hinge to unit (four screws). Partially tighten screws until door is aligned. See **Figure 10**.
10. Adjust door to assure proper seal. Tighten upper and lower hinge screws securely.
11. Replace four plastic plugs removed in Step 4 into holes on top of unit. Replace screws in holes in bottom of unit on opposite side.

### Stainless 75R Units and All 75WC Units

Note: The grille should not yet be installed. If it has been installed, remove it for door reversing. See **Page 11**.

Stainless 75R Refrigerator models and Black and Stainless 75WC Wine Captain models are reversible by moving the hinge hardware to the opposite side (**Figure 11**) as follows:

1. Remove the bottom hinge (two screws) from door.
2. Remove top hinge (two screws) from door.
3. Remove door.
4. Remove top hinge (four screws for 75R or three screws for 75WC) from cabinet. Invert and install on bottom, opposite side of cabinet.
5. Remove bottom hinge (four screws for 75R or three screws for 75WC) from cabinet. Invert and install on top, opposite side of cabinet.
6. Attach top hinge to door.
7. Attach bottom hinge to door.
8. Adjust door to assure proper seal.



### Other Site Requirements

#### Power Supply

The unit requires a grounded and polarized 115 VAC, 60 Hz, 15A circuit (normal household current). See Electrical Specifications on **Page 10**.

#### Environmental Requirements

The surrounding air temperature must be at least 50°F (10°C) but must not exceed 110°F (40°C). Units may be installed outdoors in a covered area. The unit must not be located near heat-generating equipment or in direct sunlight.

### Side-By-Side Installation Instructions

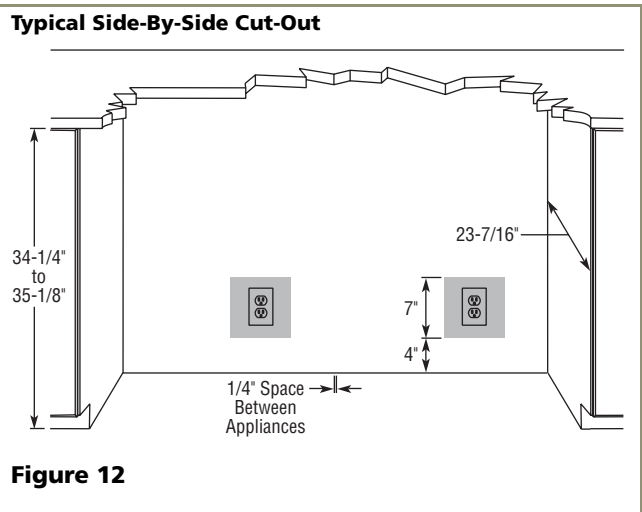
For a complete refreshment center, install two of the following 75 series units side by side: 75R, 75WC and CO75 Combo Ice Maker/Refrigerator. Note that each Side-By-Side Installation will be different.

- Cut-out width for a side-by-side installation is the total of the widths listed under *Cut-Out Dimensions* in each unit's Installation Guide.

*For example:*

Placing a 75R next to another 75 series unit would require a cut-out width of:  
 $24\text{-}3/16" + 24\text{-}3/16" = 48\text{-}3/8"$

- No trim kit is required. However, 1/4-inch space needs to be maintained between the units to ensure unobstructed door swing.
- Units must operate from separate, properly grounded electrical receptacles placed according to each unit's *Electrical Specifications*.





## 4 Prepare/Install Door Panel or Prepare Racks

Three types of custom treatments may be involved in your installation:

- 75R Refrigerators will accept a Custom 1/4" Thick Insert to harmonize with or accent the surrounding decor.
- 75BEV Beverage Centers are equipped with two maple-trimmed wine racks that are coated at the factory with a clear vinyl sealer, which will adequately protect the wood in normal usage. A final finish coat was not applied so that the wood trim could be stained to match décor. The trim on the racks may be coated with a final finish or stained.

If none of these treatments are to be included in this installation, go on to **5 Adjust Door**.

### Custom 1/4" Thick Door Panel Insert

(75R Refrigerator Units Only)

#### Door Panel Preparation

A custom door panel can be inserted into the doorframe. Custom door panels can be flat or raised, as long as the maximum panel thickness where inserted into the door reveal (channel) is 1/4"-thick. For raised panels, the depth of the reveal is 1/4" on all four sides.

#### IMPORTANT

Raised panels will reduce the door's 90° swing/zero clearance if the unit is installed next to a wall or similar type of structure (see **Page 5**).

Cut the panel insert to the following dimensions.

Custom 1/4" Dimensions for *Black and White units*:

Width: 22-15/16"  
Height: 28-5/32"

Custom 1/4" Dimensions for *Stainless units*:

Width: 22-15/16"  
Height: 29-13/32"

The door panel must not weigh more than 20 lbs.

#### Door Panel Installation

Install the insert as follows:

#### ⚠ CAUTION

Use care when handling the insert. Insert edges may be sharp.

1. Remove top hinge screw pin (7/64" Allen wrench, see **Figure 13**). Remove door by tilting forward and lifting off bottom hinge pin.

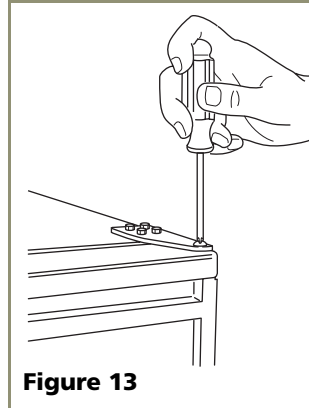


Figure 13

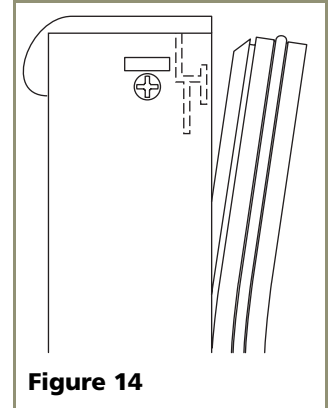


Figure 14

2. Pull door gasket out of groove (top edge of door only). Start in the middle and pull outward, moving toward the edge (see **Figure 14**). This may take some force.

3. Remove two outside screws holding door handle. Slightly separate door handle from door (see **Figure 15**).

4. Pull handle up and off.

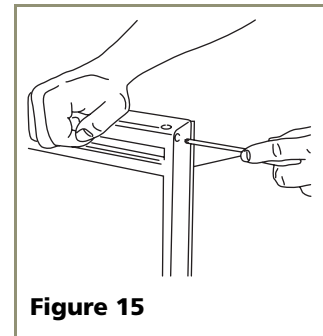


Figure 15

#### IMPORTANT

Use care not to bend light switch bracket (where installed), located on door bottom when installing door insert. Do not set door on bottom edge when pushing insert into place.

5. Slide custom door panel insert into 1/4-inch channel in door front.
6. Holding door gasket out of the way, replace handle on door, making sure it is seated properly on insert and that screw holes line up.
7. Install two small screws removed in **Step 3**.
8. Starting at the corners and working inward, push door gasket into place on door.
9. Place door on bottom hinge pin and install upper hinge screw.
10. Go on to **5 Adjust Door**.



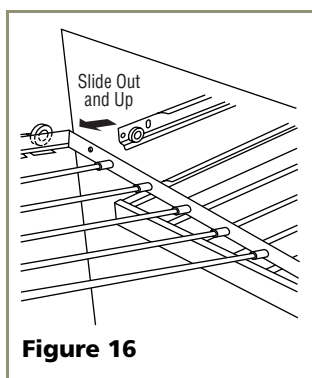
**⚠ CAUTION**

To prevent permanent damage to the inner liner of the Beverage Center, the wine rack wood trim **MUST** be removed from the unit for staining and/or finishing. Allow stain/finish to dry thoroughly (at least 24 hours per coat) in accordance with the stain/finish manufacturer's instructions prior to re-installing the wood trim inside the cabinet of the Beverage Center. Failure to do so may cause the inner liner of the unit to have a permanent odor, which is not covered by the warranty.

## Adding a Final Finish Coat to Wood Trim

(75BEV Beverage Center Units Only)

1. Remove each wine rack by sliding it out and up. See **Figure 16**.
2. Remove and save screws securing wood trim to the racks.
3. Lightly scuff sand the wood trim with 280 grit 3M Tri-M-Ite sandpaper.
4. Remove sanding dust with a tack cloth.
5. Apply a thin coat of Minwax Polycrylic, following container label for directions. Allow to dry 24 hours.
6. Lightly sand, tack and reapply 2 times, if desired.
7. Allow the final coat to dry for 24 hours.
8. Reinstall wood trim to wine racks using screws removed in Step 2.
9. Reinstall wine racks in unit.
10. Go on to **5 Adjust Door**.



**Figure 16**

## Staining Wood Trim a Different Color

(75BEV Beverage Center Units Only)

1. Remove each wine rack by sliding it out and up. See **Figure 16**.
2. Remove and save screws securing wood trim to the racks.
3. Apply Minwax Water-Based Wood Stain to wood with a synthetic foam brush. Stain must penetrate approximately 3 minutes. After this period, while stain is still wet, take a stain-dampened rag and remove all excess stain. Wipe in the direction of the grain with medium pressure to achieve the desired stain color.
4. After 2 hours, repeat Step 3.
5. Allow stain to dry for a minimum of 3 hours before finishing.
6. Sand the wood with very fine sandpaper to smooth the surface from the staining process.
7. Remove sanding dust with a tack cloth.
8. Apply a thin coat of Minwax Polycrylic, following container label for directions. Allow to dry 24 hours.
9. Lightly sand, tack and reapply 2 times, if desired.
10. Allow the final coat to dry for 24 hours.
11. Reinstall wood trim to wine racks using screws removed in Step 2.
12. Reinstall wine racks in unit.
13. Go on to **5 Adjust Door**.

**5 Adjust Door**

**Checking Door Alignment**

The unit's door is aligned at the factory before shipment. However, its alignment could have been disturbed during shipment or during door panel installation.

**IMPORTANT**

Properly aligned, the door's gasket should be firmly in contact with the cabinet all the way around the door (no gaps).

1. Carefully examine the door's gasket to assure that it is firmly in contact with the cabinet.

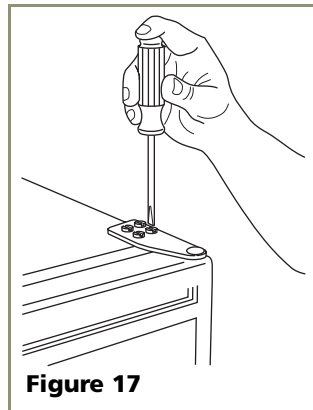
*Note:* When inspecting door alignment, make sure the light switch bracket makes contact with the light switch plunger. Also make sure the door gasket is not pinched on the hinge side of the door.

2. If the door is properly aligned, go on to **6 Prepare Power Supply**. If it is not, use the following procedure.

**Adjusting Door Alignment**

**75R, 75WC and 75BEV Units**

1. Loosen (do not remove) top and bottom hinge screws. See **Figure 17**.
2. Align door squarely with cabinet. Make sure gasket is firmly in contact with cabinet all the way around the door (no gaps).
3. Tighten bottom hinge screws.
4. Tighten top hinge screws. Go on to **6 Prepare Power Supply**.



**6 Prepare Power Supply**

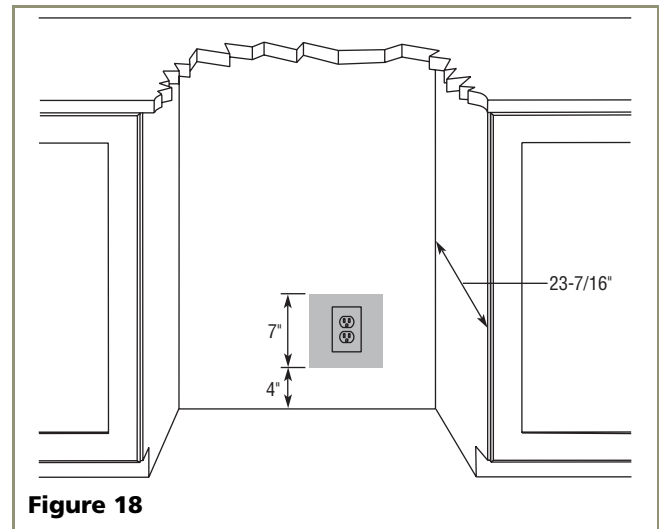
**Electrical Specifications**

**CAUTION**

Electrical installation must observe all state and local codes. This unit requires connection to a grounded (three-prong), polarized receptacle that has been placed by a qualified electrician.

The unit requires a grounded and polarized 115 VAC, 60 Hz, 15A power supply (normal household current). An individual, properly grounded branch circuit or circuit breaker is recommended. GFCI (ground fault circuit interrupter) is usually not required for fixed location appliances and is not recommended for your unit because a GFCI could be prone to nuisance tripping. However, be sure to consult your local codes.

See **Figure 18** for recommended receptacle location.



**WARNING**

**SHOCK HAZARD — Electrical Grounding Required.**

- Never remove the round grounding prong from the plug and never use a two-prong grounding adapter.
- Never use an extension cord to connect power to the unit.

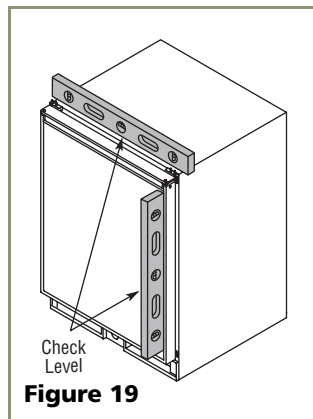
Go on to **7 Level the Unit**.

## 7 Level the Unit

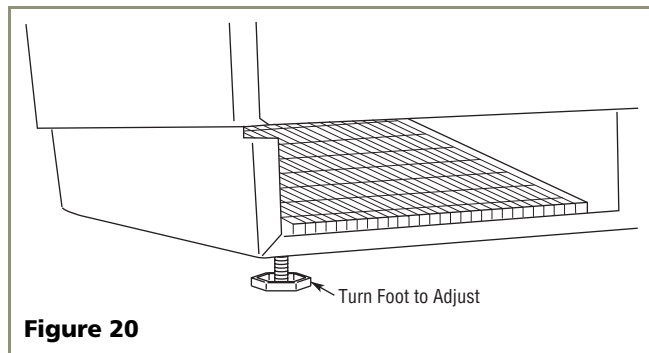
### Leveling Information

**Note:** It is recommended that the unit is level.

1. Use a level to check the levelness of the unit from front to back and from side to side. Level should be placed along top edge and side edge as shown (see **Figure 19**).



2. If the unit is not level, adjust the feet on the corners of the unit as necessary (see **Figure 20**).



3. Check the levelness after each adjustment and repeat the previous steps until the unit is level. Go on to **8 Install the Unit**.

### Installation Tip

If the room floor is higher than the floor in the cut-out opening, adjust the rear feet to achieve a total unit rear height of 1/8" less than the opening's rear height. Shorten the unit height in the front by adjusting the front feet. This allows the unit to be gently tipped into the opening. Readjust the front feet to level the unit after it is correctly positioned in the opening.

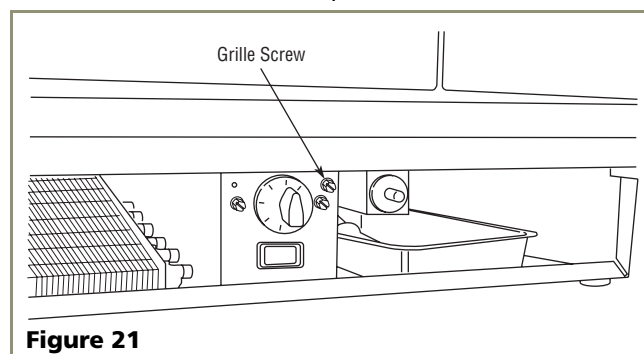
## 8 Install the Unit

### Installation of the 75R/75WC/75BEV

1. Plug in the power cord.
2. Gently push the unit into position. Be careful not to entangle the electrical cord.
3. Re-check the leveling, from front to back and side to side. Make any necessary adjustments. The unit's top surface should be approximately 1/8" below the countertop.

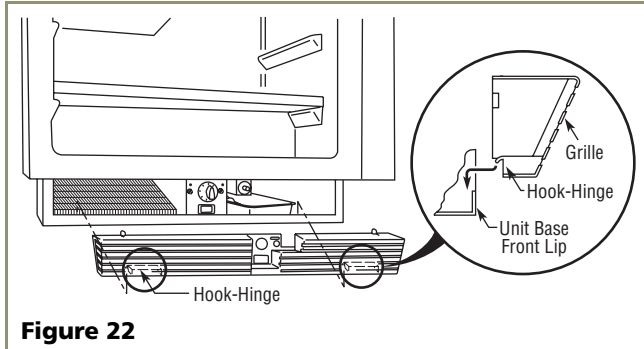
### Grille Installation

1. Locate and remove the grille screw from the cabinet, using a standard blade screwdriver (or a 1/4" nutdriver). See **Figure 21**.



2. Remove the control knob by pulling it away from the cabinet.
3. Identify the grille screw hole on the grille itself. It is located toward the top of the middle recessed section of the grille.

- Place the two hook-hinges (located on the rear bottom side of the grille) onto the front lip of the unit base. Swing the grille up into position, aligning the grille screw hole on the grille to the grille screw hole on the cabinet. See **Figure 22**.



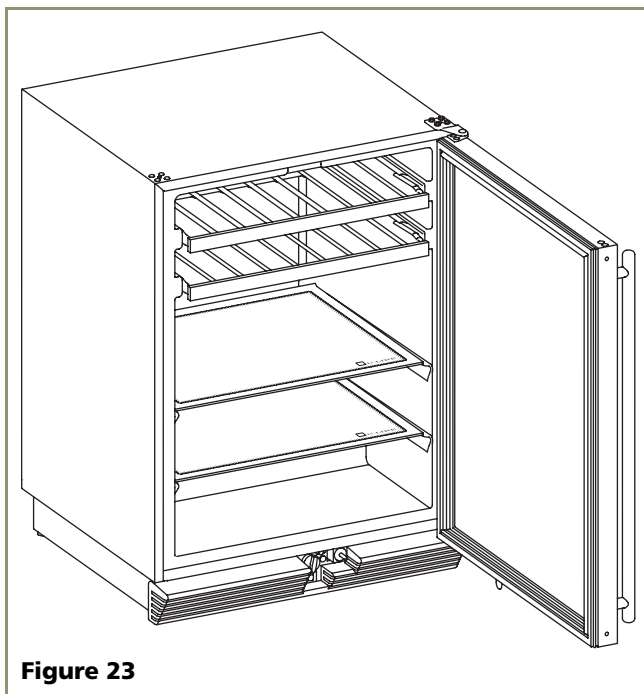
**Figure 22**

- Insert the screw. Do not overtighten.
- Reinstall control knob.

### Glass Shelf Installation

(75R Refrigerator and 75BEV Beverage Centers Only)

- Carefully remove the glass shelves from the packaging.
- Slide the shelves onto lower sets of ribs, making sure the decorative graphics are on the underside of the shelves. While edge strips go toward the rear and silver edge strips (75R Only) go toward the front. See **Figure 23**.



**Figure 23**

## 9 Start-Up for the First Time

### Initial Start-Up

The unit is shipped with the control preset to a mid-point setting between 4 and 5. Assure that setting was not altered in shipment. No other adjustments should be necessary at this time. For information about Adjusting the Temperature Control, see the User Manual.

### Start-Up Troubleshooting

#### **Q: Problem**

Unit does not appear to turn on when plugged in.

#### **A: Solution**

Make sure outlet has power (circuit breaker has not tripped).

#### **Q: Problem**

The light stays on when the door is closed.

#### **A: Solution**

Make sure on/off switch is turned OFF. Check to see that light switch actuator bracket is contacting the light switch properly.

### IMPORTANT

See the User Manual's *Troubleshooting Guide* for more solutions.

## *Origins Series*

---

### Who to Call

#### Service Information

If the need for service arises, contact the dealer from whom the unit was purchased. State the Model Number and Serial Number and explain the problem. The Model and Serial Number plate is located inside unit at upper right hand corner.

If you need to locate a service company, you can go online at **[www.U-LineService.com](http://www.U-LineService.com)** and search for a service company by zip code.

**For more than four decades, U-Line has distinguished itself as the leader in built-in undercounter ice making, refrigeration and wine storage appliances.**

*Echelon*<sup>™</sup> SERIES / *Origins* SERIES

U-Line Corporation, located in Milwaukee, WI, is a family operated manufacturer of built-in undercounter icemakers, Combo<sup>®</sup> icemaker/refrigerators, Wine Captain<sup>®</sup> wine storage units, refrigerators, refrigerated drawers and refrigerator/freezers.

## Free Manuals Download Website

<http://myh66.com>

<http://usermanuals.us>

<http://www.somanuals.com>

<http://www.4manuals.cc>

<http://www.manual-lib.com>

<http://www.404manual.com>

<http://www.luxmanual.com>

<http://aubethermostatmanual.com>

Golf course search by state

<http://golfingnear.com>

Email search by domain

<http://emailbydomain.com>

Auto manuals search

<http://auto.somanuals.com>

TV manuals search

<http://tv.somanuals.com>