

## CO29 • 21" Marine Combo® Model • Marine Series

### FEATURES & BENEFITS



BLACK  
SOLID



WHITE  
SOLID

#### PERFORMANCE

- Refrigerator volume of 2.1 cu ft holds up to 24 bottles (12 oz) or 44 cans (12 oz)
- Mechanical Dial Control is conveniently located on the grille
- Temperature range: 34°F - 45°F
- Produces and stores up to 8 lbs of ice per day
- Crescent ice cube dimensions: 1/2" W x 3/4" H x 1/2" L
- Available in 115 or 220 - 240 volts

#### INTERIOR/EXTERIOR

- No drain required
- Two removable tempered glass shelves
- Two fixed storage compartments in door
- Door swing is field reversible
- Standard travel package includes door latch, ensuring safe-at-sea storage
- Corrosion and UV resistant components provide product longevity in harsh environments

#### INTEGRATION

- Unit is designed to be built-in or can be freestanding
- Available in the following finishes: Black or White
- Accepts a 1/4" custom panel

### MODEL DETAILS

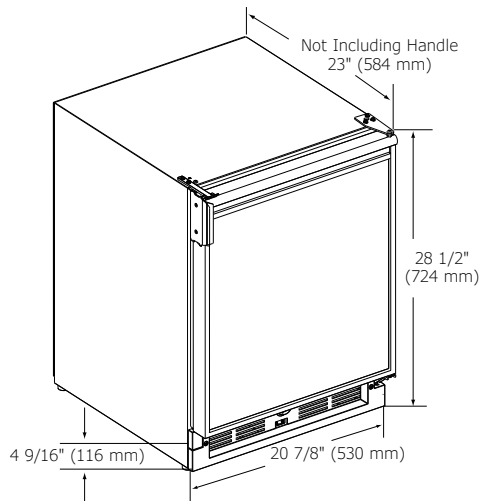
Model	Voltage	Door Swing	Finish	Shipping Weight
ULN-CO29B-03A	115	Right-Hand Hinge	Black Solid	94 lbs
ULN-CO29B-20A	220 - 240	Right-Hand Hinge	Black Solid	94 lbs
ULN-CO29W-03A	115	Right-Hand Hinge	White Solid	94 lbs
ULN-CO29W-20A	220 - 240	Right-Hand Hinge	White Solid	94 lbs

### ACCESSORIES

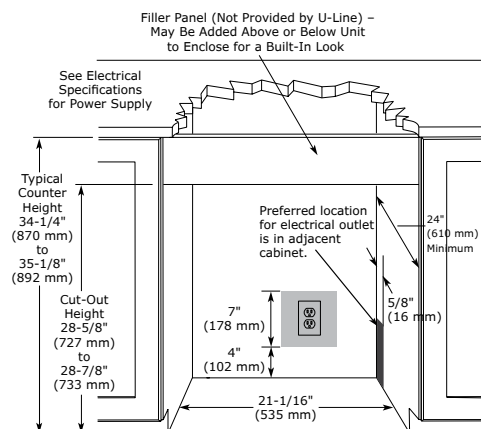
Model	Description	Finish	Shipping Weight
WATERHOOKUP	Braided water supply line kit	na	2 lbs

**DIMENSIONS**

Dimensions shown apply to all finishes.



**CABINET CUT-OUT**



**INSTALLATION NOTES**

- Cutout includes the additional 1/4" width overall to ensure proper installation.
- No additional clearance around sides, top or rear of unit is needed for ventilation.
- Do not obstruct front grille air flow.

**SPECIFICATIONS**

Model	C029
Amps: Running (115 v)	2.5
Amps: Running (220 - 240 v)	1.2
Amps: Max Start Up (115 v)	18
Amps: Max Start Up (220 - 240 v)	6
Capacity: Bottle (12 oz)	24
Capacity: Can (12 oz)	44
Capacity: Volume (cu ft)	2.1
Control Type	Mechanical Dial
Defrost Type	Manual
Dimensions: Product Depth	23" / 584 mm
Dimensions: Product Height	28 1/2" / 724 mm
Dimensions: Product Width	20 7/8" / 530 mm
ENERGY STAR	na
Ice Production Per Day	25 lbs
Ice Storage	13 lbs
Product Weight: Max	85 lbs
Refrigerant Type	R134A
Sabbath (Star K Certified)	No
Temperature Range	34°F - 45°F

**ELECTRICAL REQUIREMENTS**

This unit requires a grounded a polarized 115 VAC, 60 Hz, 15 A power supply (normal household current).

UL listing only applies to 115 v models.

Please visit [u-line.com](http://u-line.com) to view this model's User Guide. All specifications are subject to change without notice.



## Free Manuals Download Website

<http://myh66.com>

<http://usermanuals.us>

<http://www.somanuals.com>

<http://www.4manuals.cc>

<http://www.manual-lib.com>

<http://www.404manual.com>

<http://www.luxmanual.com>

<http://aubethermostatmanual.com>

Golf course search by state

<http://golfingnear.com>

Email search by domain

<http://emailbydomain.com>

Auto manuals search

<http://auto.somanuals.com>

TV manuals search

<http://tv.somanuals.com>