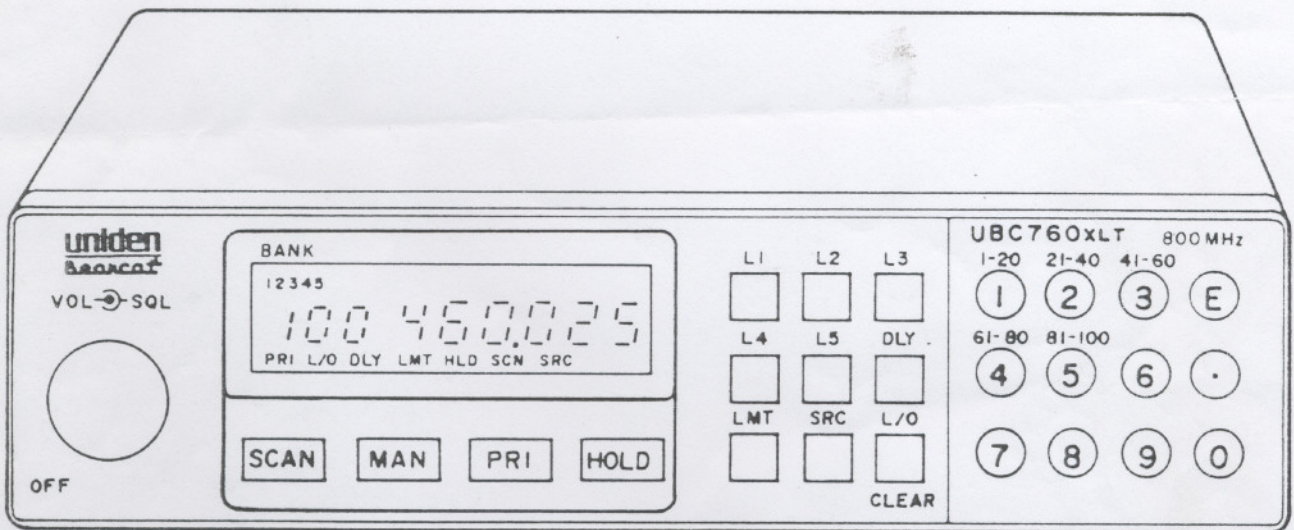


# uniden®



## Bearcat

# UBC 760XLT

## 100 Channel

# Mobile/Base Scanner

# INTRODUCTION

Welcome to the world of computerized radio scanning. The Uniden Bearcat® 760 XLT is the result of years of research and development, and incorporates many unique, state-of-the-art design concepts. Microelectronics allows so many sophisticated features to be included in such a small, stylish unit. The Uniden Bearcat® 760XLT uses the most recent technological advances to satisfy the highest performance standards that can be achieved in a hand held unit. The custom integrated circuits, microprocessor, liquid crystal display, and other components have been designed to give the Uniden Bearcat® 760XLT high quality performance while maintaining low battery drain.

Uniden, one of the world leaders in radio scanners, has designed and manufactured this unit to give you years of trouble free use. We are sure you will be proud to own the Uniden Bearcat® 760XLT, and to insure that you get the most out of all the features, please read this operating guide completely before using your scanner.

## WARNING

UNIDEN DOES NOT REPRESENT THIS UNIT TO BE **WATER-PROOFED**. TO REDUCE THE RISK OF ELECTRICAL SHOCK, FIRE HAZARD, OR DAMAGE TO THE UNIT, DO NOT EXPOSE TO RAIN OR MOISTURE.

For future reference, write in the model number and serial number below. You will find them on the back of the unit.

Model No. \_\_\_\_\_ Serial No. \_\_\_\_\_  
Purchased from: \_\_\_\_\_ Date \_\_\_\_\_

## Unpacking

Carefully remove the unit from the shipping carton and check the contents against the following list:

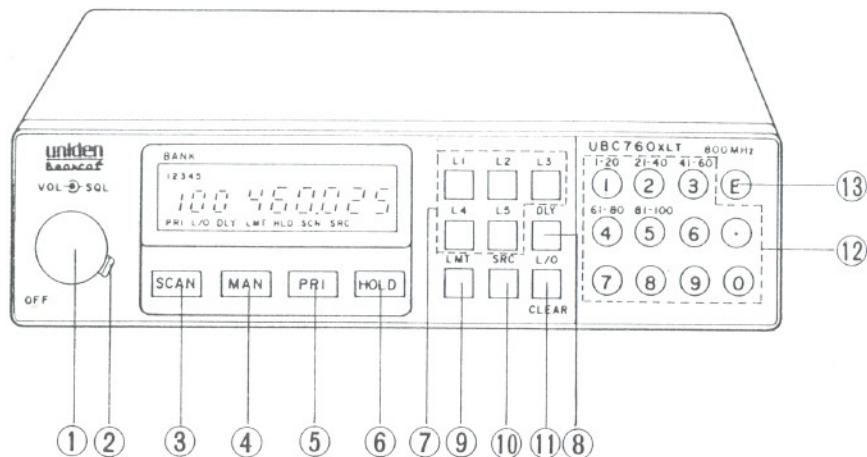
- \* Bearcat Scanner
- \* DC Power Cord
- \* AC Adapter
- \* Mobile Mounting Bracket
- \* Telescopic Antenna
- \* Operating Guide (read it and save)

If any of these items are missing or if there are signs of physical damage, DO NOT attempt to operate the unit. Notify your dealer immediately.

*NOTE: Keep the shipping carton and packing materials, as well as all the printed material. This carton serves as an excellent method to transport your new scanner for service or any other reason.*



# Controls and Functions

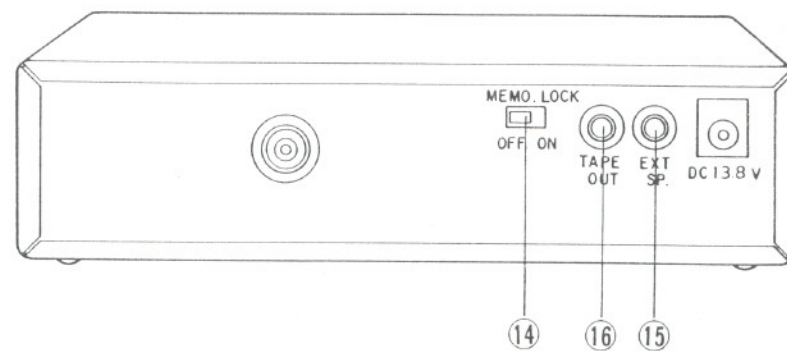


- 1. On/Off, Volume** - Turns the unit on or off, and controls the audio output level.
- 2. Squelch** - Eliminates the annoying "rushing" sound that is present between transmissions when no signal is being received. Proper adjustment of this control keeps the receiver quiet and allows scanning until a signal is received.
- 3. Scan** - Press to start scanning all frequencies programmed into memory that are not locked out.
- 4. Manual** - Press to stop scanning. Press again to manually step to the next channel. Press the channel number and then press the manual key to go directly to that channel.  
**Priority** - The priority key samples channel 1 every two seconds regardless of other operational settings.

- 6. Hold** - Press to stop and hold the search function on the current frequency. Press again to manually step up to the preceding frequency.
- 7. Loop Function** - Program 5 frequency bands L1 to L5. To program these frequency bands it is only necessary to input an upper frequency and a lower frequency to specify a search range within one band.
- 8. Delay** - The delay key provides a 2 second delay on any channel to receive a reply transmission on the same frequency before resuming search or scan. Delay is retained in memory.
- 9. Limit** - Enter the low and high limits of the search range. Press to manually step the search frequency down.

- 10. Search** - Press to search for new active frequencies within preset ranges of any band.
- 11. Lockout/Clear** - Press to lockout the reception of frequencies on selected channels during scanning. Lockout is retained in memory. Press again to deselect lockout. Pressing the lockout for 2.5 seconds will clear all the locked out frequencies.
- 12. Numeric Keypad** - ("0-9" and ".") Used to program all frequencies into memory and for direct channel access. During the scan mode these keys are utilized to select or deselect any of the 5 memory banks.
- 13. Enter** - The "E" key is used to enter frequencies into the scanning memory.

- 14. Memory Lock** - This unique feature is used to lock the keypad to prevent accidental entries and is located on the back panel.
- 15. External Speaker** - The external speaker jack allows you to use an alternate speaker in case of a high noise environment. Use Uniden model ESP 25 external speaker for best results.
- 16. Tape Out** - This jack allows you to connect to any standard tape recorder in order to record transmissions.



# OPERATION

The UBC 760XLT has 100 memory channels, each of which can be programmed to store one frequency. The channels are divided into 5-20 channel banks, useful for storing similar frequencies in order to maintain faster scanning cycles. When scan is pressed, each of the programmed frequencies within a selected bank will be sampled for a transmission (locked channels will be skipped) at the rate of about 15 channels per second. If an active frequency is found the unit will stop and monitor that frequency until there is no longer any activity. A two second delay can be added to each channel and will allow the unit to monitor the frequency for a return or continued transmission. If, after two seconds, the frequency remains inactive, the scanning cycle will resume.

When the unit is first turned on, each channel will contain "000.000". When new frequencies are programmed, the old will be erased. If an invalid frequency is entered, "Error" will be displayed and the old frequency will return. "E Loc" will also be displayed if memory lock is on.

To operate the scanner make sure that the power is correctly connected to the unit. Turn the volume control on and adjust the desired level. Adjust the squelch by turning the knob fully clockwise until a rushing sound is heard. Turn the knob back until the receiver is silent. After the channels have been programmed, operation is simple. Press the scan key to scan all the channels, press the manual key to stop the scanning, and manually step through the channels.

**Note:** The unit must be in the scan mode to select or deselect a channel.

## LCD Display

The UBC 760XLT has a backlit display which shows the current channel and frequency as well as other operational modes. When the unit is scanning, the channel number will rapidly advance while the frequency display will go blank. When the scanner is stopped the current channel and frequency will again be displayed.

When frequencies are programmed the display will show the digits as they are entered. The display will also show "PRI" when the priority mode is on, "L/O" whenever a channel appears that has been locked out, and "DLY" whenever a channel has been programmed for delay. In the upper left hand corner of the display the numbers 1-5 will be present. These are the bank indicator numbers. These are selected or deselected during the scan sequence by the use of the numeric pad.

## Programming

To program a frequency into a channel, press the digits of that frequency including the decimal point and then press the enter key. If an invalid frequency is entered, the display will show "Error." To change a frequency enter the new one and the old one will be erased.



# SPECIFICATIONS

<b>Band Coverage:</b>	12 Bands
<b>Frequency Range:</b>	66-88 MHz 108-136 MHz 136-144 MHz 144-148 MHz 148-174 MHz 350-406 MHz 406-420 MHz 420-450 MHz 450-470 MHz 470-512 MHz 806-956 MHz
<b>Channels:</b>	100 Channels (5-20 channel banks)
<b>Scan Speed:</b>	15 channels per second
<b>Display:</b>	Illuminated Liquid Crystal
<b>Power Requirement:</b>	13.8 VDC (220V AC 50 Hz with AC Adapter )
<b>Sensitivity:</b> <b>(nominal)</b> <b>(12 dB SINAD)</b>	0.3 $\mu$ V 66-88 MHz 0.6 $\mu$ V 108-136 MHz 0.4 $\mu$ V 136-174 MHz 0.4 $\mu$ V 406-512 MHz 0.8 $\mu$ V 806-956 MHz
<b>Selectivity:</b>	-55dB @ $\pm$ 25 KHz
<b>Audio Output (Nominal):</b>	2.0 Watts at 10% T.H.D.
<b>Antenna:</b>	telescopic antenna included
<b>Connectors:</b>	antenna, external speaker, DC power, REC. OUT
<b>Size:</b>	6 5/16"W x 1 5/8"H x 7 3/8"D
<b>Weight:</b>	1 lb., 3 oz.

Specifications are typical and subject to change without notice.

## Birdies

All radios are subject to receiving undesired signals. If the UBC 760XLT stops during scan mode and no sound is heard, it may be receiving a "Birdie." Birdies are internally generated signals inherent in the electronics of the receiver. Press the Scan key to continue scanning.

# OPERATION

To program 162.550 into channel 2:

**Press 2 MAN**

**Press 1 6 2 . 5 5 0 E**

To program 471.2375 into channel 7:

**Press 7 MAN**

**Press 4 7 1 . 2 3 7 5 E**

To search from 150 to 160 MHz

**Press 1 5 0 LIMIT**

**Press 1 6 0 LIMIT**

**Press SEARCH**

Your UBC 760XLT will then begin searching the frequencies from 150 to 160 MHz. If you encounter a frequency of interest, you can press the HOLD key to stop. If the scanner has already resumed searching, press HOLD and then use the HOLD and LIMIT keys to step the frequency up or down. (HOLD to step up, LIMIT to step down).

You can also program the channels directly from the search function. To do this, first go to the channel number you wish to use, and then begin the search function as described above. When you encounter a frequency that you wish to save, press HOLD to stop, and then press E (enter) to save the frequency. If you wish to repeat the procedure for another channel, go to that channel and resume searching.

## To select or deselect a channel bank

When a bank number at the top of the display is visible, it means that the numbered bank is currently selected. When it is not visible, it means that the bank is deselected. While the unit is scanning, pressing the appropriate number key will select or deselect the desired bank.

## Features

The following is a brief description of the operational features of the UBC 760XLT.

**Manual Channel Selection** - To manually select a channel, press the manual key repeatedly until the desired channel number appears in the display.

or

Press the channel number you wish to access, then press the manual key. The scanner will automatically advance to the desired channel regardless of the bank status.

**Lockout** - Select the channel to be skipped. Press the lockout key. The lockout indicator will appear in the display whenever that channel also appears. To take lockout off press the lockout key on that channel. The lockout key also functions to eliminate any locked out channels within a certain bank. Simply press the lockout key for about 2.5 seconds to "Clear" the entire bank.

**Priority** - When it is important to keep track of the activity on one frequency while listening to others, the priority function should be used. Program the important frequency into channel one. Press the priority key to activate the priority function. Every 2 seconds the unit will check channel one for activity (the priority indicator will appear in the display). If a transmission is found the unit will monitor that channel. If no signal is found, the unit will return to the previous channel and function. Press the priority key again to turn off the priority function. When priority is on, the audio may be periodically interrupted.

**Search** - Use the search mode to look for new active frequencies within the bands of your scanner.

Enter the lower limit frequency on the keypad and press the limit key;

Enter the higher limit frequency and press the limit key again.

These two frequencies set the range that the unit will search. Press the search key to start searching. If an active frequency is found the scanner will stop to monitor the signal. Press the hold key to hold the search on this frequency. Press the hold key again to step up to the next frequency or press the limit key to step down to the previous frequency. When the signal stops the unit will continue searching. Press the manual key to leave the search mode.

## LOOP FUNCTION

Your Uniden Bearcat 760XLT has been provided with the ability to program 5 frequency bands L1 to L5. To program these frequency bands it is only necessary to input an upper frequency and a lower frequency to specify a search range within one band (66 - 88, 108 - 136, 136 - 174, 350 - 512, or 806 - 956).

In the following example, the programming of one frequency band on L2 will be initiated.

**Press:** **1 1 8 . 1 5** **L 2**

**Read:** **L2 118.150**  
**(one limit entered)**

**Press:** **1 3 4 . 2 5** **L 2**

**Read:** **L2 134.250**  
**(second limit is entered)**

**Press:** **L2** **(start searching from low limit frequency to high limit frequency).**

Once you have programmed 5 different bands in L1 to L5, you activate the scanning of this bands by simply pressing L1, L2, L3, L4, or L5.

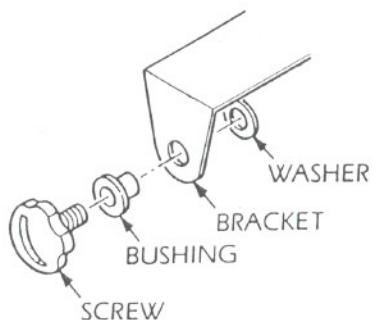
Every other function that is described in the search mode is also active in the loop mode, except that you have to activate the scan by pressing the L[1..5] key.



# INSTALLATION

## Mobile Installation

Plan the location of the radio bracket before starting the installation. Select a location that is convenient for operation and does not interfere with the driver or passenger in the vehicle. The bracket should be securely fastened to a solid surface using the self tapping screws provided. Mount the scanner to the bracket with the thumb screws and adjust the angle of the radio.



## Mobile Antenna

In the mobile application the Bearcat 760XLT will require an external vehicle antenna. Use a mobile antenna designed for multi-band coverage. For maximum effectiveness, the external antenna should be fed with low loss 50 ohm coaxial such as RG58 foam. Remember, you have purchased the finest mobile scanner available, so don't compromise its performance with an inferior antenna. We recommend using the (optional) Uniden BC-AT1 mobile antenna for best results. Ideally, the antenna should be mounted directly in the center of the vehicle's roof.

The radiation and reception pattern of a vehicular antenna always conforms to the ground plane (metal shape) located below the antenna. A roof mounted antenna provides virtually an omnidirectional pattern. If the antenna was mounted on the left rear fender, the best reception would occur from the right front fender of the vehicle, with greatly reduced reception from the left rear. Avoid mounting the antenna on a front fender, as ignition noise can limit reception.

## Connecting the Power

The UBC 760XLT is designed to be used in any vehicle which has a 13.8-volt DC negative-ground electrical system. If you cannot determine the polarity of your vehicle, consult your vehicle dealer for information.

**Note:** The use of this radio in a motor vehicle may be regulated or require a permit in certain states or certain cities.

The UBC 760XLT should be connected directly to the fuse block or battery of your car. Connect the power cord to the back of the radio in the jack marked "DC 13.8V".

## Desktop Installation

The UBC 760XLT has a unique design feature that allows the unit to be used as an in-home scanner. The fold-out foot sets the unit at a proper angle for desk or table-top use. Simply swing the foot out until it locks in its upright position.

**Note:** Please be sure that the foot is folded out completely in order to avoid accidental damage to the unit.

## Telescopic Antenna

The UBC 760XLT includes a telescopic antenna for use in desktop installations. Insert the antenna into the opening on the rear apron of the radio, and fully extend it. Under normal conditions this antenna should provide excellent reception. However, factors such as location within your home, and proximity to electrical appliances may determine reception quality. For weak signal reception or electrically noisy locations, an external antenna may be helpful.

## AC Adapter

The UBC 760XLT can be powered by the AC Adapter included with the scanner which converts standard household current to 12.0 V DC. Plug the small connector of the AC Adapter into the jack in the back of the radio marked DC 13.8V. Plug the other end into any standard 220 V AC household outlet.

**Note:** Please be sure to use only model 818F4124 AC Adapter, as higher voltage, or reverse polarity may damage your unit.

## Memory Backup

Frequencies maintained in the UBC 760XLT memory are protected from loss in the event of electrical power interruption by lithium battery. This battery should be replaced every 10 years.

# HELPFUL HINTS

The UBC 760XLT is a high quality electronic radio receiver. The following hints should help you understand and enjoy your unit.

1. Make sure the unit is turned off before disconnecting the power. You may want to record the programmed frequencies before power is interrupted in case memory is lost.
2. If memory is lost, simply reprogram each channel. Memory loss will be indicated by unfamiliar frequencies or "000.000" in each channel.
3. If strong interference or electrical noise is received, you may need to relocate your scanner. A higher elevation such as the second floor may provide better reception.

4. Whenever the keypad is used it is important to press firmly on the center of each key.
5. Do not use the scanner in high moisture environment such as the kitchen or the bathroom.
6. Clean the outside of the cabinet with a mild detergent. Do not use abrasive cleansers or solvents. Be careful not to rub LCD window area.

## Trouble Shooting

If your UBC 760XLT is not performing up to your expectations, try the steps listed below. If you cannot get satisfactory results you may need to send your unit in for service:

TROUBLE	CHECK
1. Scanner is not working properly.	A. Check the power connections. B. Check the volume and squelch. C. Make sure programming is correct.
2. Signal is weak or distorted.	A. Check antenna connection. B. Check proper frequencies. C. Make sure frequency is active.
3. Improper reception.	A. Check proper frequencies. B. Reposition radio. C. Check antenna connection.
4. Scan won't stop.	A. Check squelch adjustment. B. Check proper frequencies. C. Check antenna connection. D. Check lockout.
5. Incomplete reception.	A. Fringe area of reception. B. Check squelch adjustment.
6. Unit won't program.	A. Check memory lock switch.
7. Priority won't work.	A. Check squelch adjustment. B. Improper frequency in Channel 1.

## Optional Accessories

The following accessories are available for your UBC 760XLT at your local dealer.

**PS-001 Vehicle Power Cord** - This power cord is designed for use with the UBC 760XLT in a vehicle. This heavy duty cord comes complete with a cigarette lighter connector and fuse.

**Telescoping Antenna** - Replacement antenna for the UBC 760XLT.

**ESP 25 External Speaker** - Heavy duty speaker with impact resistant ABS housing for high power external audio.

## Warranty

**Warrantor:** Uniden Australia Pty. Ltd. ("UNIDEN").

**Elements of Warranty:** Uniden warrants, for the duration of this warranty, **UBC 760 XLT** (hereinafter referred to as the Product) to be free from defects in materials and craftsmanship with only the limitations or exclusions set out below.

**Warranty Duration:** This warranty shall terminate and be of no further effect one (1) year after the date of the original purchase of the Product or the time the Product is (A) damaged or not maintained as reasonable or necessary, (B) modified, (C) improperly installed, (D) repaired by someone other than warrantor for a defect or malfunction covered by this warranty, (E) used in a manner or purpose for which the Product was not intended, or (F) sold by the original purchaser.

**Statement of Remedy:** In the event that the Product does not conform to this warranty at any time while this warranty is in effect, warrantor will repair the defect and return it to you without charge for parts, service, or any other cost incurred by warrantor or its representatives in connection with the performance of this warranty. **THIS WARRANTY DOES NOT COVER OR PROVIDE FOR THE REIMBURSEMENT OF PAYMENT OF INCIDENTAL OR CONSEQUENTIAL DAMAGES.** Some states do not allow this exclusion or limitation of incidental or consequential damages, so the above limitation or exclusion may not apply to you.

**Procedure for Obtaining Performance of Warranty:** In the event that the Product does not conform to this warranty, the Product should be shipped or delivered, freight prepaid, to Warrantor at Uniden Australia Pty. Ltd. 345 Princes Highway, Rockdale, N S W 2216 with evidence of original purchase.

**Legal Remedies:** This warranty gives you specific legal rights, and you may also have other rights which vary from state to state.

**uniden**<sup>®</sup>

Australia Pty. Ltd.

**HEAD OFFICE:**

345 Princes Highway, Rockdale, N S W 2216  
Phone 599 3355  
Fax: (02) 599 7657

**BRISBANE**

3/12 Randall Street,  
Slacks Creek,  
Old 4127  
Phone (07) 290-1188  
Fax (07) 808 4251

**MELBOURNE & TASMANIA**

446-448 Bell Street,  
East Preston,  
VIC 3072  
Phone (03) 484 0373  
Fax (03) 484 6057

**PERTH**

23 Geddes Street,  
Balcatta,  
W A 6021  
Phone (09) 344 3937  
Fax (09) 349 8165

**ADELAIDE**

72-74 Halifax Street,  
Adelaide  
S A 5000  
Phone (08) 223-4235  
Fax (08) 223 1471



## Free Manuals Download Website

<http://myh66.com>

<http://usermanuals.us>

<http://www.somanuals.com>

<http://www.4manuals.cc>

<http://www.manual-lib.com>

<http://www.404manual.com>

<http://www.luxmanual.com>

<http://aubethermostatmanual.com>

Golf course search by state

<http://golfingnear.com>

Email search by domain

<http://emailbydomain.com>

Auto manuals search

<http://auto.somanuals.com>

TV manuals search

<http://tv.somanuals.com>