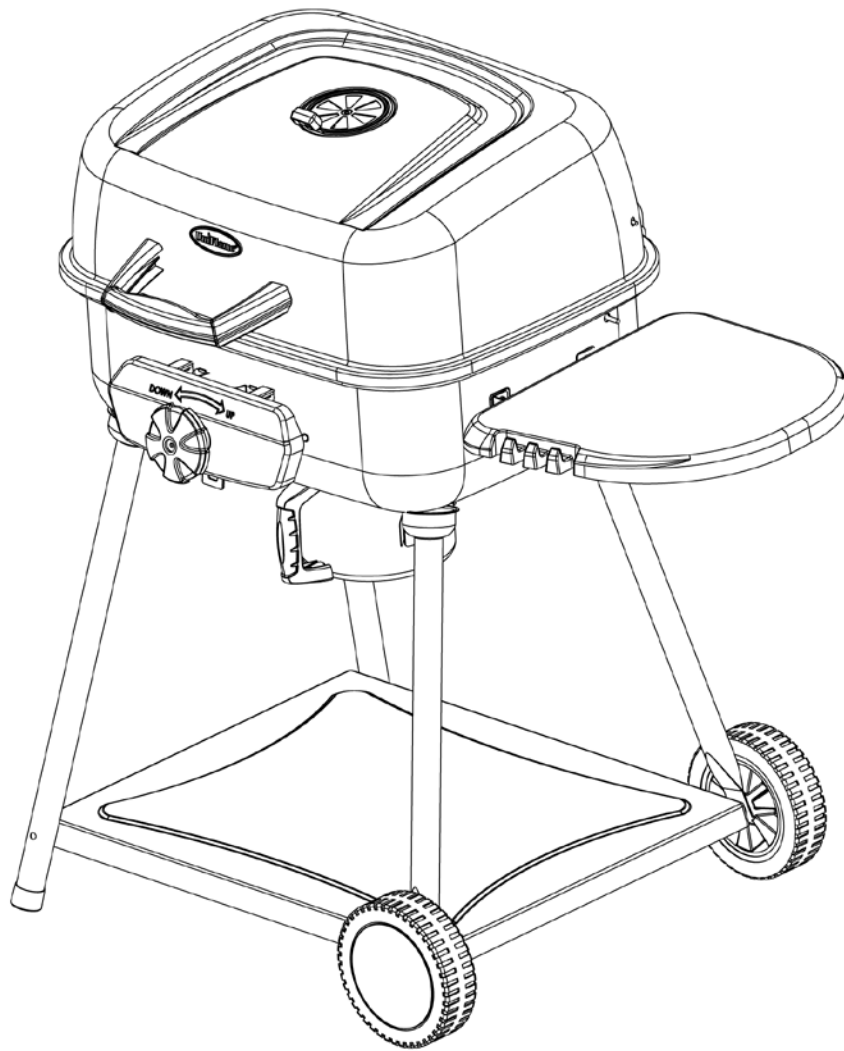



## Outdoor Charcoal Barbecue Grill

Model No. CBC1232SP



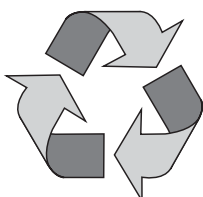
 **WARNING**  
**FOR YOUR SAFETY:**  
 For Outdoor Use Only  
 (outside any enclosure)

 **WARNING**  
**FOR YOUR SAFETY:**

1. Improper installation, adjustment, alteration, service or maintenance can cause injury or property damage.
2. Read the installation, operation, and maintenance instructions thoroughly before installing or servicing this equipment.
3. Failure to follow these instructions could result in fire or explosion, which could cause property damage, personal injury, or death.
4. This instruction manual contains important information necessary for the proper assembly and safe use of the appliance.
5. Read and follow all warnings and instructions before assembling and using the appliance.
6. Follow all warnings and instructions when using the appliance.
7. Keep this manual for future reference.

Save these instructions for future reference. If you are assembling this unit for someone else, give this manual to him or her to read and save for future reference.

Table of Contents	
Important Safeguards . . . . .	Page 2
Exploded View & Hardware . . . . .	3
Assembly Instructions . . . . .	4
Operating Instructions . . . . .	7
First Use . . . . .	7
Lighting Instructions . . . . .	7
Cooking . . . . .	7
Controlling Flare-ups . . . . .	8
Tips . . . . .	8
Cleaning and Care . . . . .	8
Product Registration . . . . .	8
Limited Warranty . . . . .	8



Made from 75% Bagasse  
 (Environmentally Friendly Sugar  
 Cane Pulp By-product)

Manufactured in China for: Blue Rhino Global Sourcing, Inc  
 Winston-Salem, NC USA • 1.800.762.1142, www.bluerhino.com



**WARNING  
FOR YOUR SAFETY**

Do not store or use gasoline or other flammable liquids or vapors in the vicinity of this or any other appliance.



**DANGER**

Never operate this appliance unattended.

**▲ DANGER:** Failure to follow the dangers, warning and cautions in this manual may result in serious bodily injury or death, or in a fire or an explosion causing damage to property.

**▲ WARNING:**

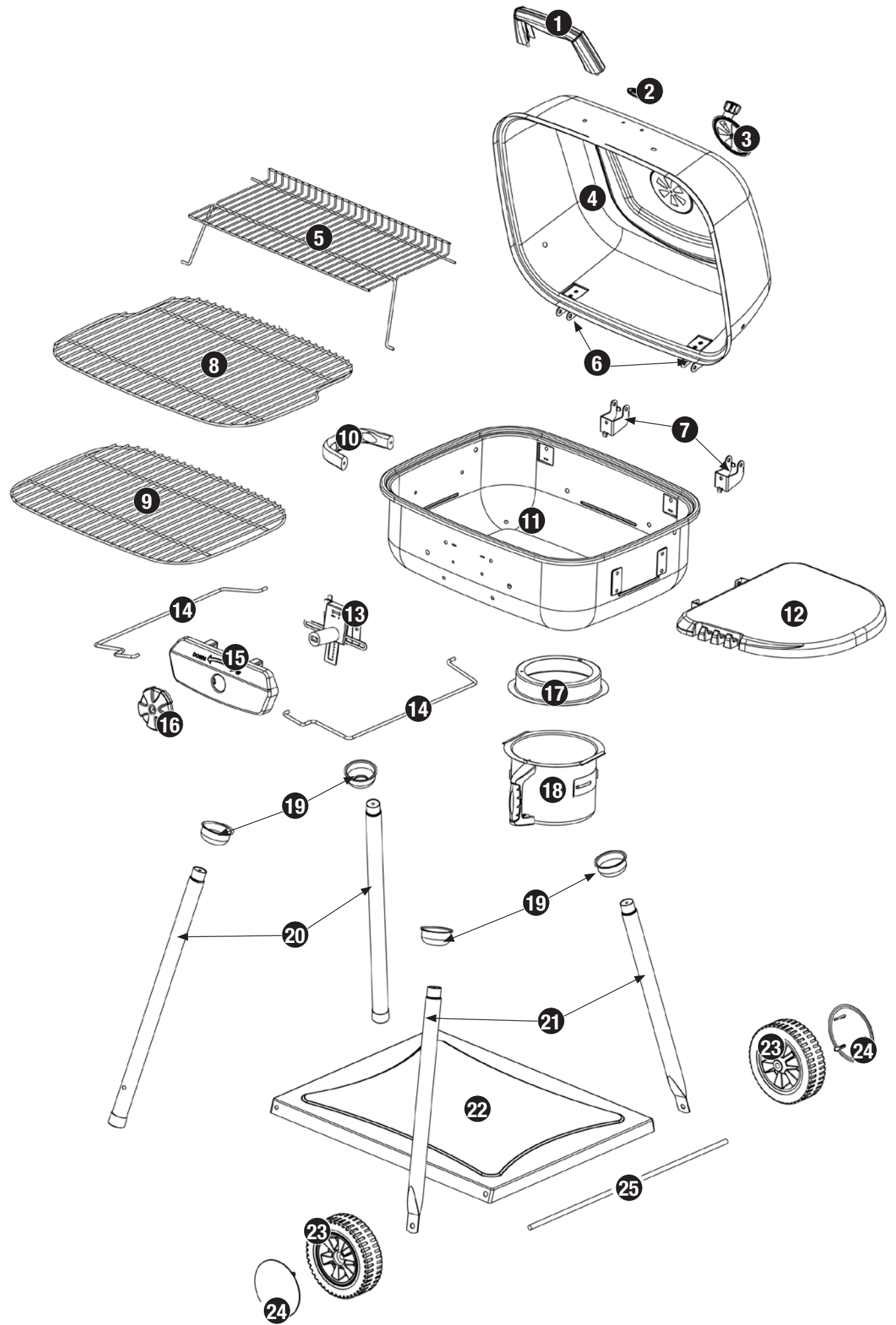
- ▲ This grill is for outdoor use only, and shall not be used in a building, garage or any other enclosed area.
- ▲ For residential use only. This grill is NOT for commercial use.
- ▲ Never use charcoal that has been pre-treated with lighter fluid. Use only a high grade plain charcoal, charcoal/wood mixture, lump charcoal or cooking wood. The conversion to or attempted use of any other fuel source in this charcoal grill is dangerous and will void your warranty.
- ▲ This grill is not intended for and should never be used as a heater. TOXIC fumes can accumulate and cause asphyxiation.
- ▲ Do not use grill for indoor cooking. Toxic carbon monoxide fumes can accumulate and cause asphyxiation.
- ▲ This grill is safety certified for use in the United States and Canada only. Do not modify for use in any other location. Modification will result in a safety hazard and will void the warranty.
- ▲ Do NOT operate, light or use this appliance within ten (10) feet (3.05 m) of walls, structures or buildings.
- ▲ Apartment Dwellers: Check with management to learn the requirements and fire codes for using an a charcoal grill in your apartment complex. If allowed, use outside on the ground floor with a ten (10) foot (3.05 m) clearance from any structure. Do not use on or under balconies.
- ▲ Minimum clearance from sides and back of unit to combustible construction is 36 inches (91.4 cm). Do not use this appliance under any type of overhang or roof.
- ▲ Do not use gasoline, kerosene or alcohol for lighting.
- ▲ Do not use in an explosive atmosphere. Keep grill area free and clear from combustible materials, gasoline and other flammable vapors and liquids.
- ▲ Do not store or use gasoline or other flammable liquids or vapors within 25 feet (7.62 m) of this appliance.
- ▲ Do not alter grill in any manner. Any altering will void your warranty.
- ▲ Do not use the grill unless it is COMPLETELY assembled and all parts are securely fastened and tightened.
- ▲ This grill should be thoroughly cleaned and inspected on a regular basis.
- ▲ Use only Blue Rhino Global Sourcing, Inc. factory authorized parts. The use of any part that is not factory authorized can be dangerous and will void your warranty.
- ▲ Do not use this appliance without reading "Operating Instructions" in this manual.
- ▲ Do not touch metal parts of grill until it has completely cooled (about 45 min.) to avoid burns, unless you are wearing protective gear (pot holders, gloves, BBQ mittens, etc.).
- ▲ Never touch grates (charcoal or cooking), ashes or coals to see if they are hot.
- ▲ Do not use on wooden decks, wooden furniture or other combustible surfaces.
- ▲ Do not use in or on boats or recreational vehicles.
- ▲ Position grill so wind can not carry ashes to combustible surfaces.
- ▲ Do not use in high winds.
- ▲ Never lean over the grill when lighting.
- ▲ Do not leave a lit grill unattended. Keep children and pets away from grill at all times.
- ▲ Do not attempt to move grill when in use. Allow the grill to cool (about 45 min.) before moving or storing.
- ▲ When cooking, fire extinguishing materials shall be readily accessible. In the event of an oil/grease fire, do not attempt to extinguish with water. Use type BC dry chemical fire extinguisher or smother with dirt, sand or baking soda.
- ▲ Always open grill lid carefully and slowly as heat and steam trapped within grill can severely burn you.
- ▲ Do not leave grill unattended while preheating or burning off food residue on high. If grill has not been cleaned, a grease fire can occur that may damage the product.
- ▲ Do not place empty cooking vessels on the appliance while in operation.
- ▲ Use caution when placing anything on the grill while the appliance is in operation.
- ▲ Never add lighting fluid to hot or even warm coals as flashback may occur causing serious injury or damage to property.
- ▲ Always place your grill on a hard, non-combustible level surface. An asphalt or blacktop surface may not be acceptable for this purpose.
- ▲ Do not remove the ashes until they are completely and fully extinguished.
- ▲ Live hot briquettes and coals can create a fire hazard.
- ▲ Always empty the ash catcher and grill after each use.
- ▲ Do not place fuel (charcoal briquets, wood or lump charcoal) directly into bottom of grill. Place fuel only on the charcoal pan/grid.
- ▲ Do not allow charcoal to rest on the walls of grill. Doing so will greatly reduce the life of the metal and finish of your grill.
- ▲ Check to make sure the air vents are free of debris and ash before using the grill.
- ▲ Make sure ash catcher is securely and completely in place before using the grill.
- ▲ Extinguished coals and ashes should be placed a safe distance from all structures and combustible materials.
- ▲ With a garden hose, completely wet the surface beneath and around grill to extinguish any ashes, coals or embers which may have fallen during the cooking or cleaning process.
- ▲ Always wear protective gloves when adding fuel (charcoal briquets, wood or lump charcoal) to retain desired heat level.
- ▲ Keep all electrical cords away from a hot grill.
- ▲ Always use a meat thermometer to ensure food is cooked to a safe temperature.
- ▲ Never cover entire cooking area with aluminum foil.
- ▲ Use protective gloves when assembling this product.
- ▲ Do not force parts together as this can result in personal injury or damage to the product.
- ▲ Death, serious injury or damage to property may occur if the above is not followed exactly.

Contact 1.800.762.1142 for assistance. Do not return to place of purchase.

### Parts List

1	Lid Handle	55-09-308
2	Brand Plate	55-11-247
3	Air Vent	55-14-794
4	Lid	55-11-540
5	Warming Rack	55-14-855
6	Top Hinge (2)	55-15-123
7	Bottom Hinge (2)	55-14-868
8	Cooking Grid	55-14-873
9	Charcoal Grid	55-14-856
10	Side Handle	55-11-230
11	Bottom Bowl	55-11-541
12	Side Shelf	55-10-085
13	Control Knob Assembly	55-11-542
14	Charcoal Grid Support Rod (2)	55-14-872
15	Control Panel	55-11-543
16	Control Knob	55-11-544
17	Ash Receiver Slide	55-09-200
18	Ash Receiver	55-09-199
19	Leg Support Cup (4)	55-11-545
20	Left Leg (2)	55-14-863
21	Wheel Leg (2)	55-11-562
22	Bottom Shelf	55-11-563
23	Wheel (2)	55-14-861
24	Hub Cap (2)	55-10-432
25	Axle	55-11-546

### Exploded View



### Hardware

A	Screw	M4x15 Nickel Plated Phillips Truss Head	1 pc
B	Screw	M5x12 Nickel Plated Phillips Truss Head	7 pcs
C	Screw	M6x16 Nickel Plated Phillips Truss Head	9 pcs
D	Screw	M6x40 Nickel Plated Phillips Truss Head	4 pcs
E	Screw	M6x45 Nickel Plated Phillips Truss Head	2 pcs
F	Nut	M10 Nickel Plated	2 pcs
G	Cap Nut	M5 Nickel Plated	2 pcs
H	Wing Nut	M5 Nickel Plated	3 pcs
I	Wing Nut	M6 Nickel Plated	7 pcs
J	Washer	ø5.5 Nickel Plated	6 pcs
K	Washer	ø6.5 Nickel Plated	5 pcs
L	Washer	ø6.5 Aluminum	12 pcs
M	Washer	ø6.2 Nickel Plated	4 pcs

N	Washer	ø6.2 Heat Resistant	10 pcs
O	Lock Washer	ø5.5 Nickel Plated	7 pcs
P	Lock Washer	ø6.5 Nickel Plated	11 pcs
Q	Pin	ø6 x 45 Nickel Plated	2 pcs
R	Cotter Pin	ø1.4 x 30 Black Coated	2 pcs

### Tools Required for Assembly (Included)

#2 Phillips Head Screwdriver	1 pc
M5 - M10 Wrench	2 pcs

**Assembly Instructions**

**1 DO NOT RETURN PRODUCT TO STORE.**

For assistance call **1.800.762.1142** toll free. Please have your owner's manual and model number available for reference.

For Easiest Assembly:

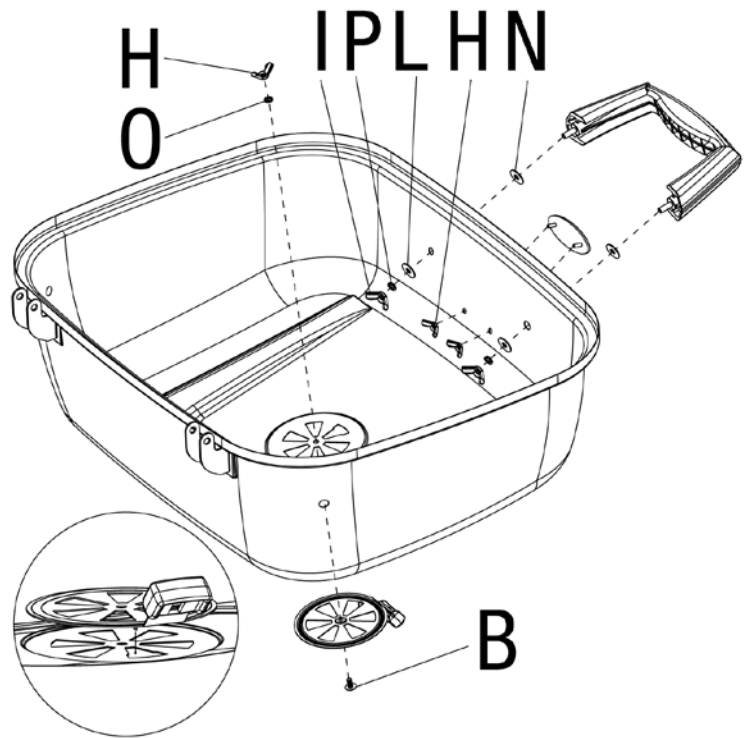
- To avoid losing any small components or hardware, assemble your product on a hard level surface that does not have cracks or openings.
- Clear an area large enough to layout all components and hardware.
- When applicable, tighten all hardware connections by hand first. Once the step is completed go back and fully tighten all hardware.
- Follow all steps in order to properly assemble your product.

To complete assembly you will need:

- (1) Bag of charcoal.

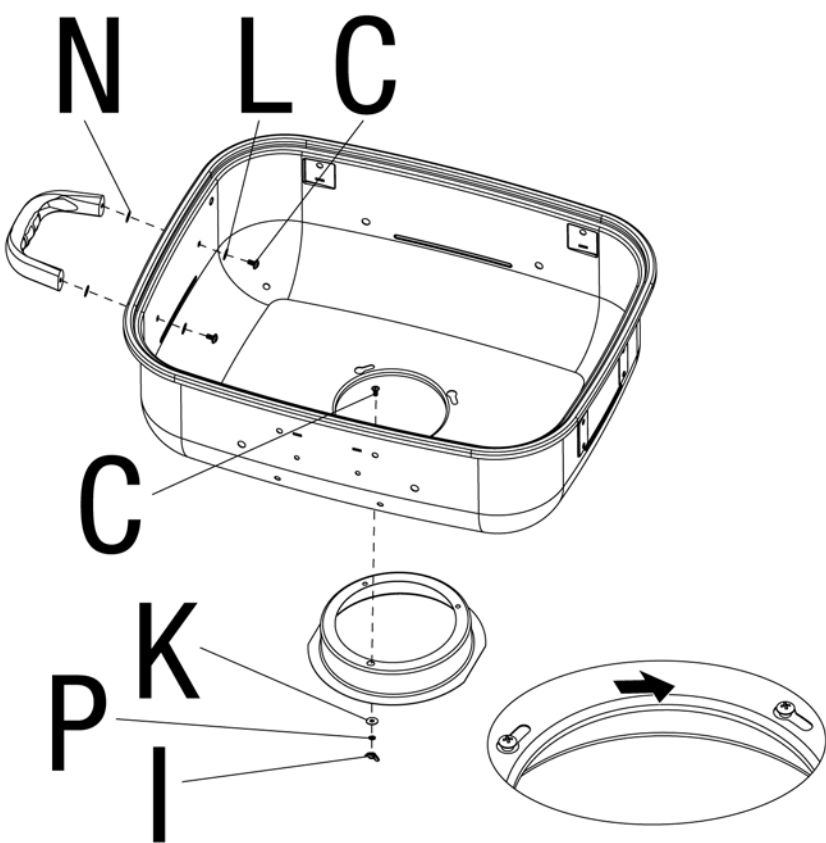
Typical assembly: approximately 45 minutes.

**2 Attach Brand Plate, Air Vent and Lid Handle**



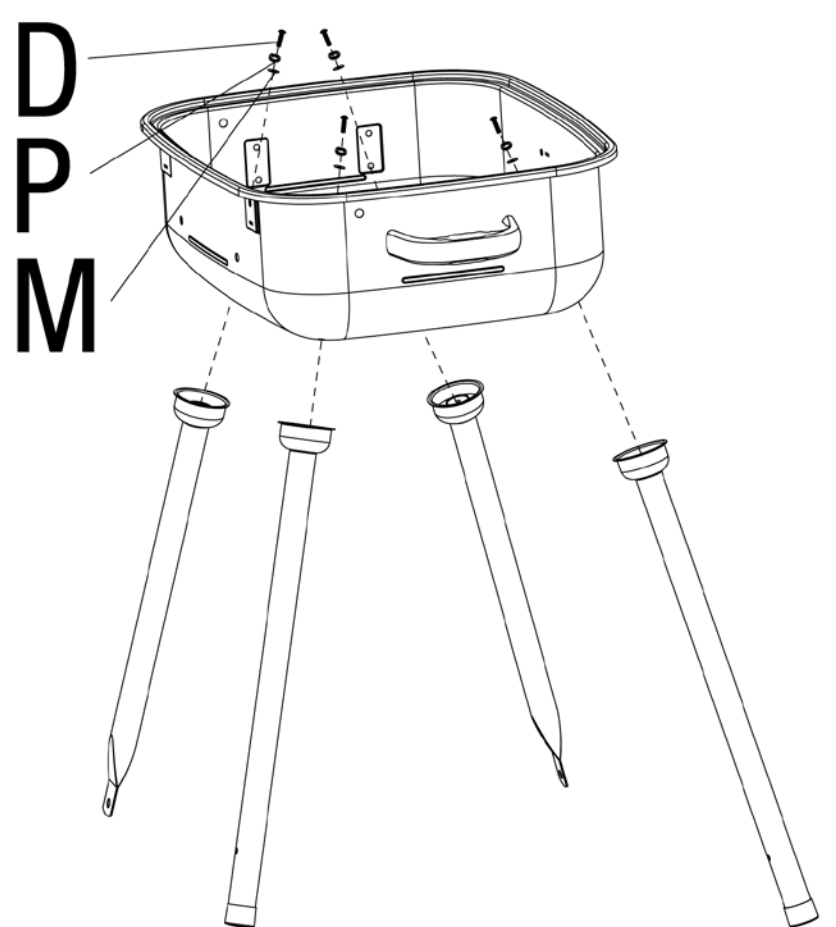
- |   |  |     |   |  |     |
|---|--|-----|---|--|-----|
| B |  | x 1 | L |  | x 2 |
| H |  | x 3 | N |  | x 2 |
| I |  | x 2 | O |  | x 1 |
|   |  |     | P |  | x 2 |

**3 Attach Side Handle and Ash Receiver Slide**



- |   |  |     |   |  |     |
|---|--|-----|---|--|-----|
| C |  | x 3 | L |  | x 2 |
| I |  | x 1 | N |  | x 2 |
| K |  | x 1 | P |  | x 1 |

**4 Attach Legs and Leg Support Cups**

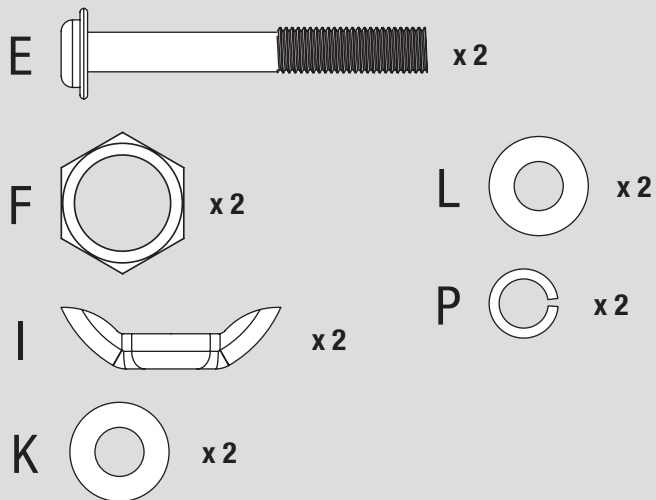
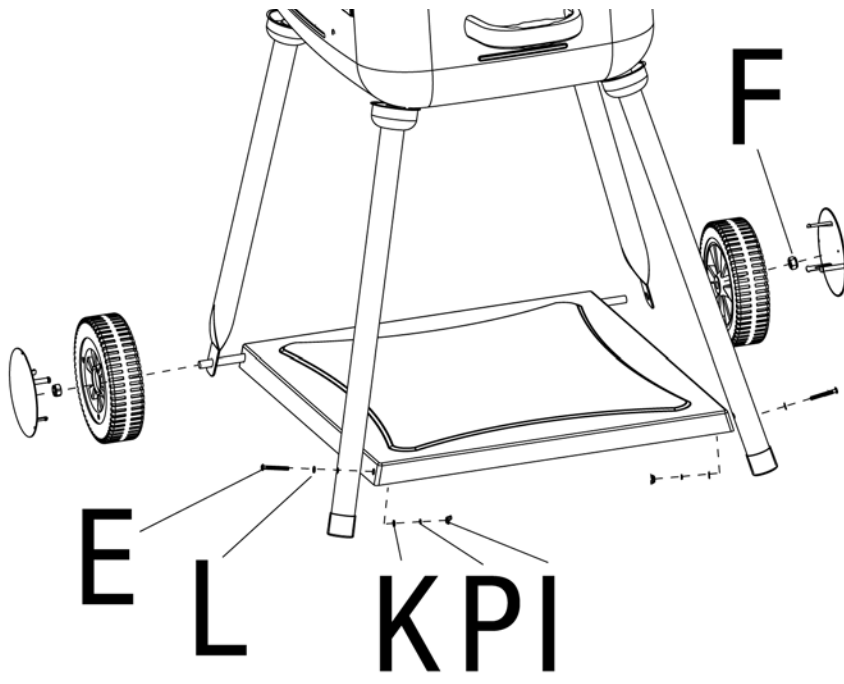


- |   |  |     |   |  |     |
|---|--|-----|---|--|-----|
| D |  | x 4 | P |  | x 4 |
| M |  | x 4 |   |  |     |

Contact 1.800.762.1142 for assistance. Do not return to place of purchase.

5

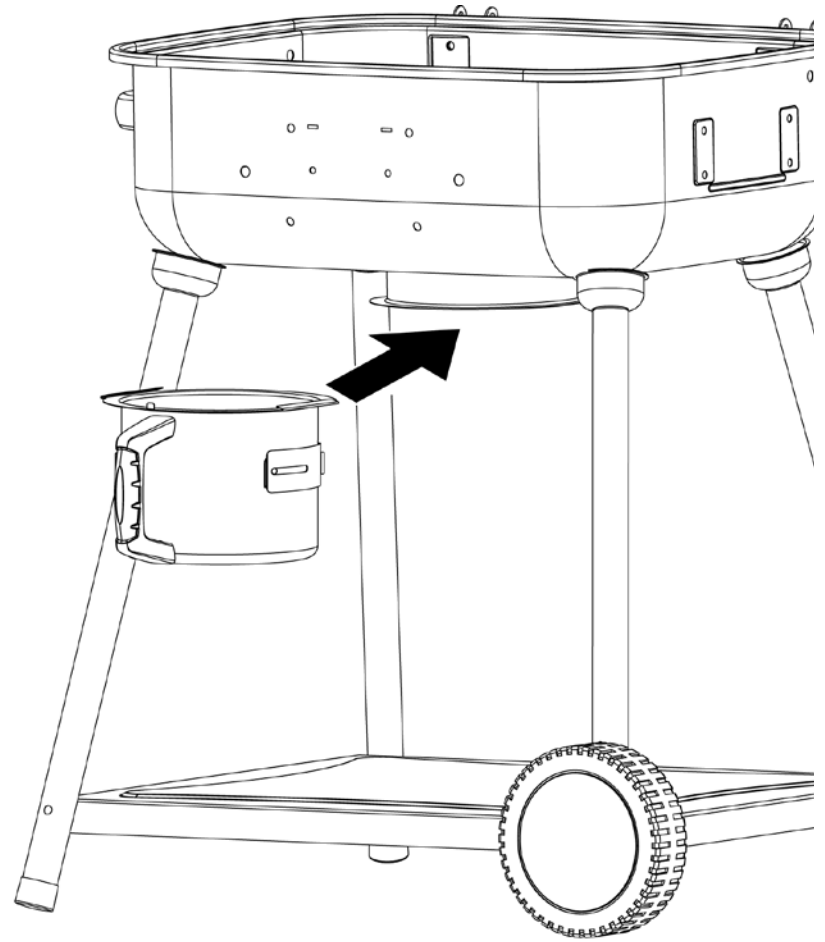
Attach Bottom Plate, Axle, Wheels and Hub Caps



6

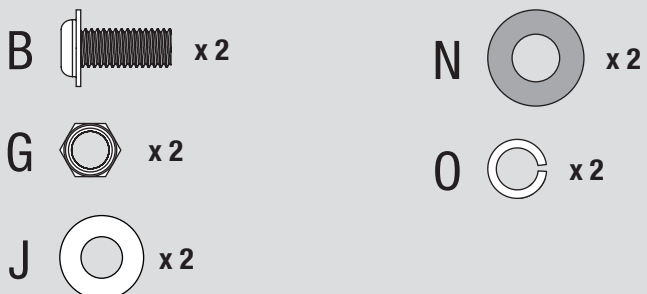
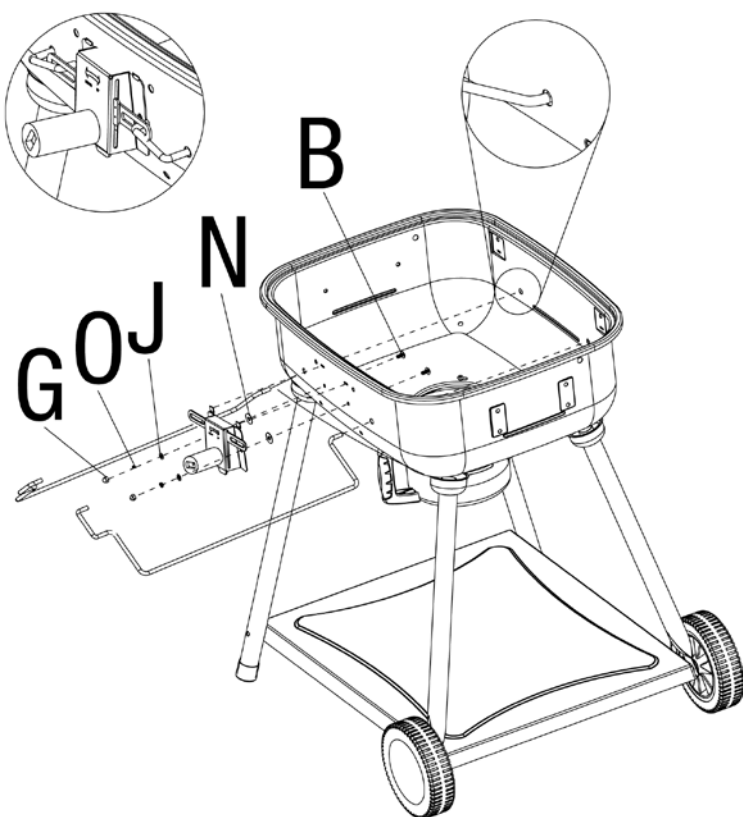
Insert Ash Receiver

Note: Ash Receiver must always be in place before lighting.



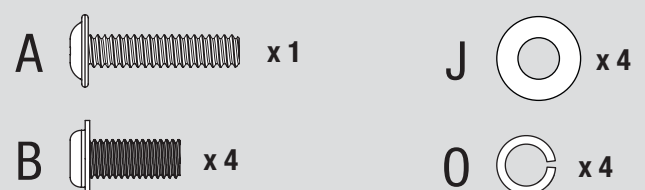
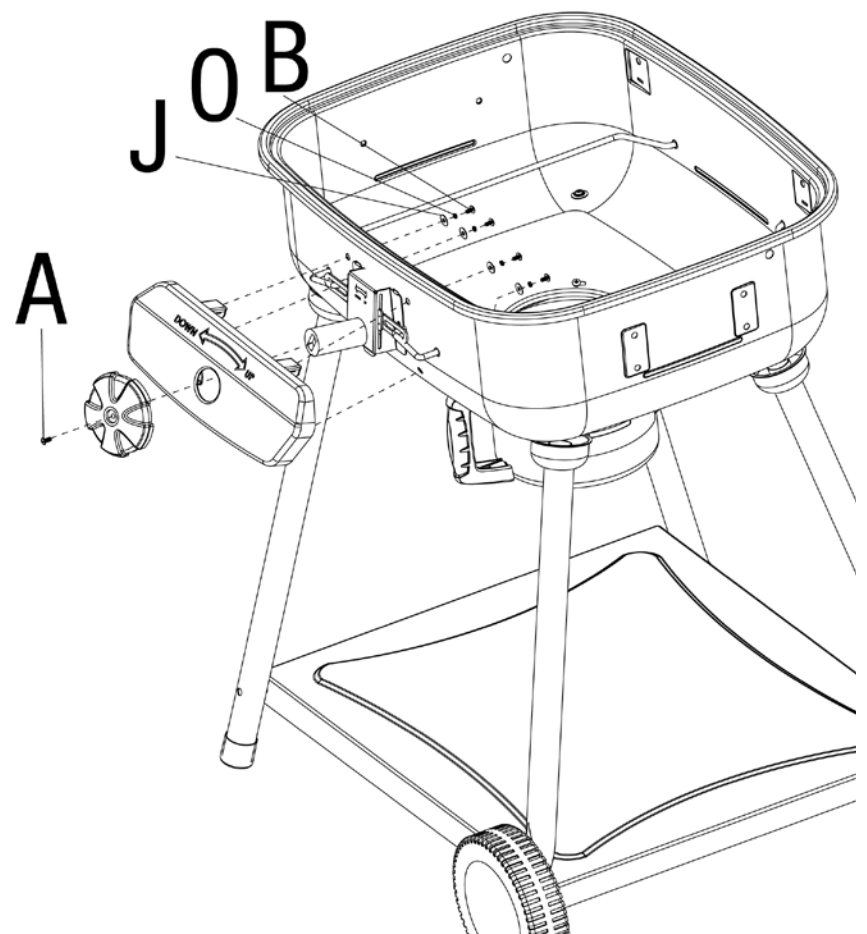
7

Attach Adjustable Knob Assembly and Charcoal Grid Support Rods



8

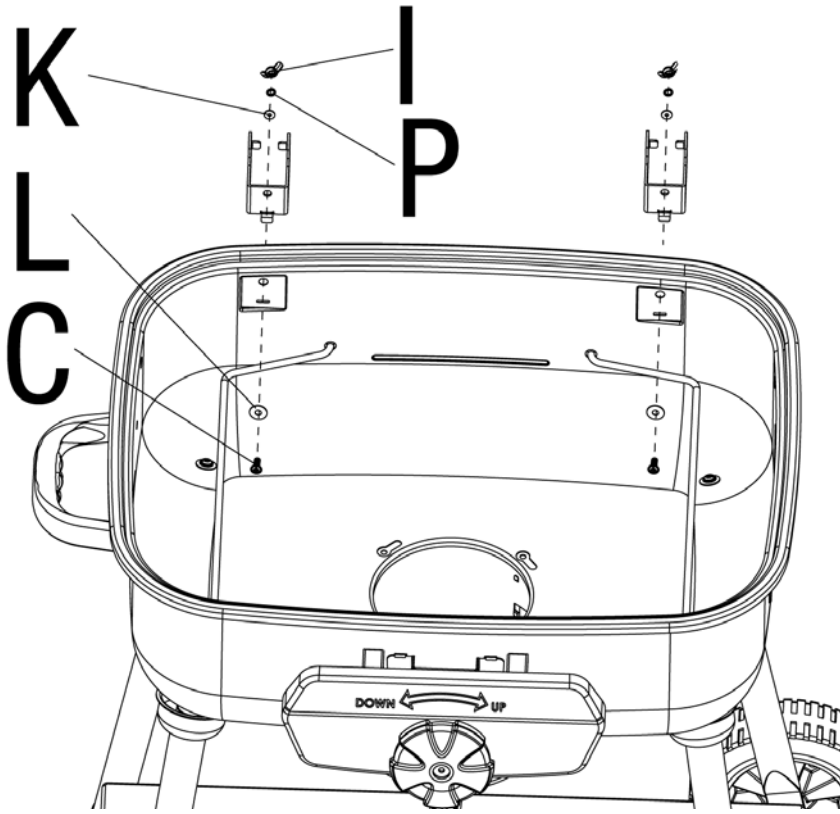
Attach Control Panel and Control Knob



Assembly Instructions (continued)

9

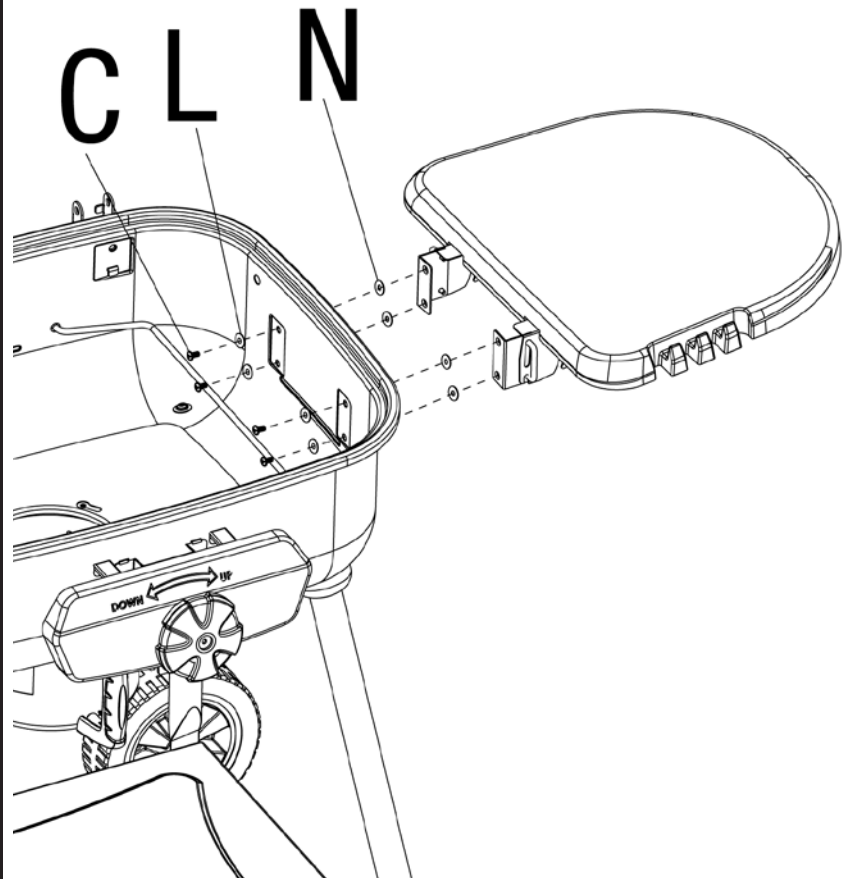
Attach Bottom Hinges



- C x2      L x2
- I x2      P x2
- K x2

10

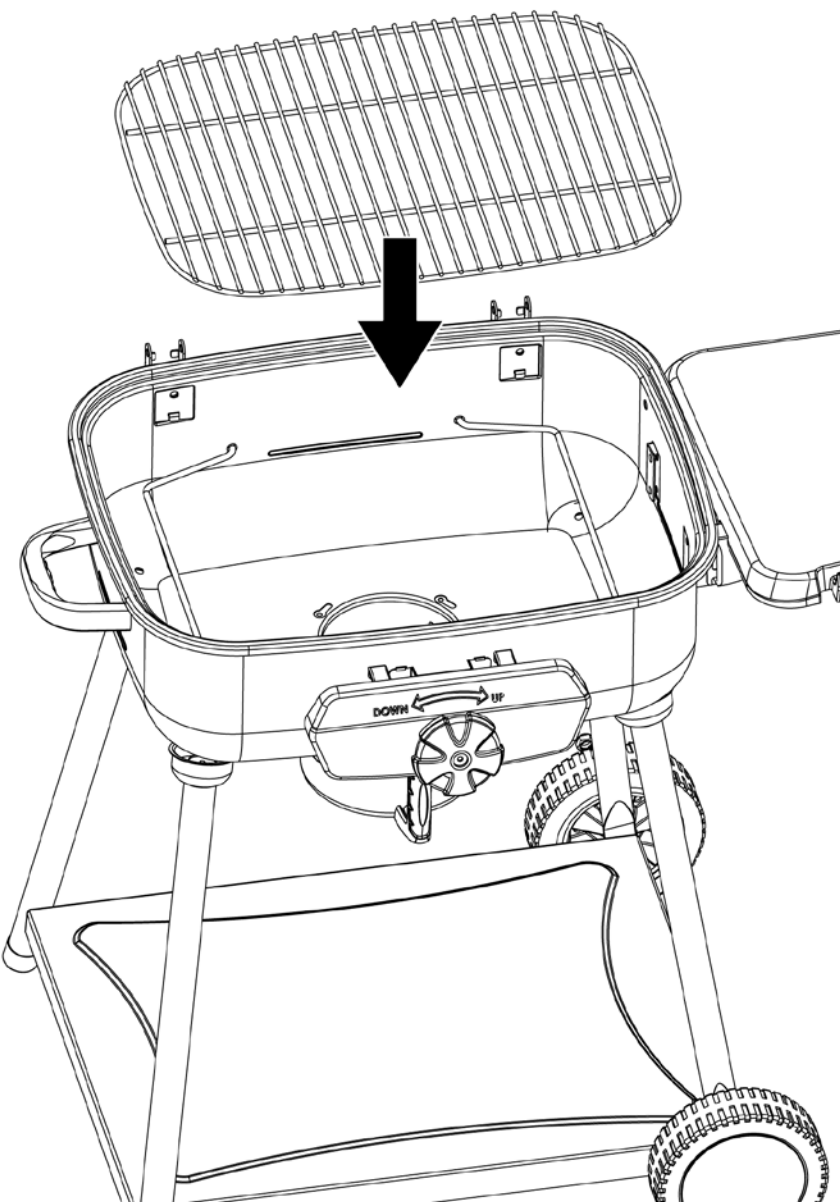
Attach Side Shelf



- C x4      L x4
- N x4

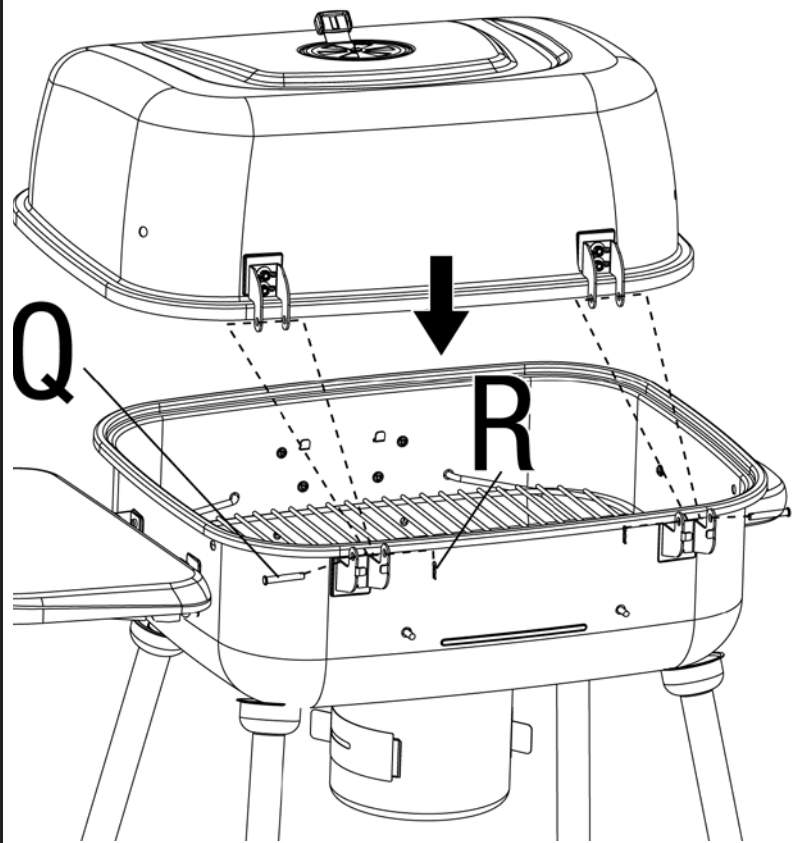
11

Insert Charcoal Grid



12

Attach Lid

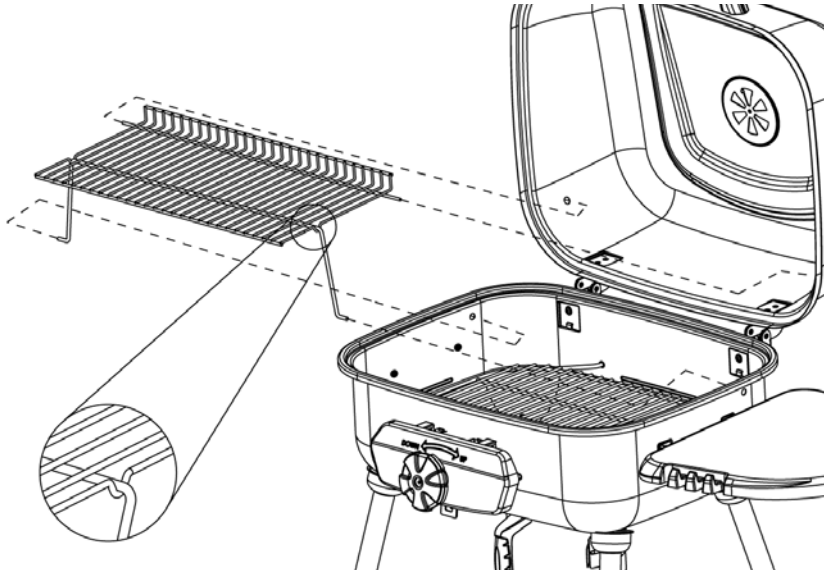


- Q x2      R x2

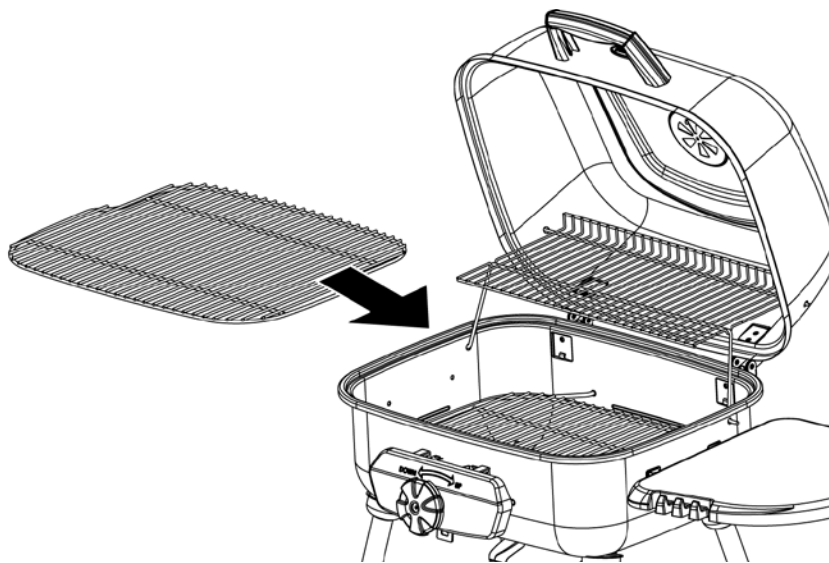
Contact 1.800.762.1142 for assistance. Do not return to place of purchase.

# 13

## Insert Warming Rack



## Insert Cooking Grid



## Operating Instructions

- ▲ **CAUTION:** Never use charcoal that has been pre-treated with lighter fluid. Use only a high grade plain charcoal, charcoal/wood mixture, lump charcoal or cooking wood.
- ▲ **CAUTION:** Maximum load for side shelf is 6.6 lbs.

### First Use

1. Make sure all labels, packaging and protective films have been removed from the grill.
2. Remove manufacturing oils before cooking on this grill for the first time, by operating the grill for at least 15 minutes with the lid closed. This will "heat clean" the internal parts and dissipate odors.

### Lighting Instructions

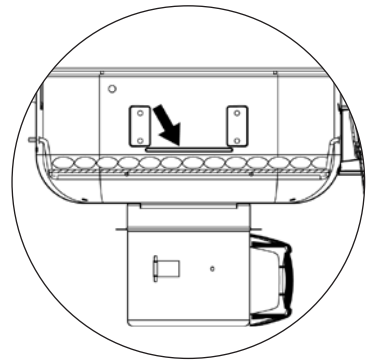
- ▲ **CAUTION:** Check to make sure the air vents are free of debris and ash before using the grill.
- ▲ **CAUTION:** Make sure ash catcher is empty and securely and completely in place before using the grill.

1. Open lid and vents.
2. Make sure ash receiver is empty and secure.
3. Remove cooking grid.
4. Lower the adjustable charcoal grid to the lowest setting.
5. Arrange charcoal briquettes or other fuel on the charcoal grid to the "Fill Line". (Figure 1)
6. Light per instructions on fuel package.
7. Allow fuel time to ash into glowing coals before cooking.

- ▲ **CAUTION:** When using a liquid starter always check ash catcher before lighting. Fluid can collect in the ash receiver and could ignite resulting in a fire below the bowl.

- ▲ **CAUTION:** Never add lighting fluid to hot or even warm coals as flashback may occur causing serious injury or damage to property.

Figure 1



### Adjustable Charcoal Grid

The patented adjustable charcoal grid allows you to easily adjust the temperature of your grill. To raise the charcoal grid and grill your food at a higher temperature, turn the knob to the right (clockwise). To lower the charcoal grid and grill your food at a lower temperature, turn the knob to the left (counterclockwise).

### Direct Cooking

Cooking directly over hot coals is ideal for searing in juices and grilling food requiring less than 25 minutes of grilling time, such as steaks, hamburgers, hot dogs, chicken parts, vegetables and fruit.

1. Open lid and remove cooking grid.
2. Load and light charcoal per "Lighting Instructions" section. Leave lid open.
3. While wearing protective gloves, carefully spread hot coals evenly across charcoal grid with a long handle tool.
4. While wearing protective gloves replace cooking grid, close lid and allow grill to preheat.
5. While wearing protective gloves open lid and place food onto cooking grids above the hot coals with long handle tongs.
6. With lid open or closed, cook until desired internal food temperatures are achieved.

*Note:* If additional briquettes are needed, remove food from cooking grid and while wearing protective gloves remove the cooking grid and place additional briquettes without disturbing the hot coals. Carefully replace cooking grid and food.

7. Allow charcoal to burn out by closing lid and all vents. Except in the case of an emergency, do NOT pour water on hot coals.

### Indirect Cooking

Not cooking directly over hot coals is ideal for slow cooking and grilling foods requiring more than 25 minutes such as most roasts, loins, chops, whole chickens, turkey, fish and baked goods.

1. Open lid and remove cooking grid.
2. Load and light charcoal per "Lighting Instructions" section. Leave lid open.
3. While wearing protective gloves, carefully spread hot coals to the outsides of charcoal grid with a long handle tool.
4. While wearing protective gloves replace cooking grid, close lid and allow grill to preheat.
5. Wear protective gloves to open lid. Use long handled tools to place food onto cooking grids above the areas without hot coals.
6. With lid closed, cook until desired internal food temperatures are achieved.

*Note:* If additional briquettes are needed, remove food from cooking grid and while wearing protective gloves remove the cooking grid and place additional briquettes without disturbing the hot coals. Carefully replace cooking grid and food.

7. Allow charcoal to burn out by closing lid and all vents. Except in the case of an emergency, do NOT pour water on hot coals.

For more tips on indirect cooking please see "Tips for Better Cookouts and Longer Grill Life".



## Operating Instructions (continued)

### Controlling Flare-ups:

- ▲ **Caution: Do not use water on a grease fire. This can cause the grease to splatter and could result in serious burns, bodily harm or other damage.**
- ▲ **Caution: Do not leave grill unattended while preheating or burning off food residue. If grill has not been cleaned, a grease fire can occur that may damage the product.**
- ▲ **WARNING: When cooking, fire extinguishing materials shall be readily accessible. In the event of an oil/grease fire, do not attempt to extinguish with water. Use type BC dry chemical fire extinguisher or smother with dirt, sand or baking soda.**

Flare-ups are a part of cooking meats on a grill and adds to the unique flavor of grilling.

Excessive flare-ups can over-cook your food and cause a dangerous situation for you and your grill.

Excessive flare-ups result from the build-up of grease in the bottom of your grill.

If excessive flare-ups occur, DO NOT pour water onto the flames.

If grease fire occurs, close the lid until the grease burns out. Use caution when opening the lid as sudden flare-ups may occur.

### Minimize Flare-ups:

1. Trim excess fat from meats prior to cooking.
2. Cook high fat contents meats indirectly.
3. Ensure that your grill is on hard, level, non-combustible surface.

### Tips for Better Cookouts and Longer Grill Life

1. For great recipes and tips, visit [recipes.uniflame.com](http://recipes.uniflame.com).
2. To reduce flare-up keep grill clean, use lean cuts of meat (or trim fat) and avoid cooking on very high temperatures.
3. Place delicate foods like fish and vegetables in aluminum foil pouches and indirect cook or place on upper cooking levels (warming rack).
4. To avoid losing natural juices, use long handled tongs or spatulas instead of forks and turn foods over just once during cooking.
5. When indirect cooking roasts and larger cuts of meat, place meat onto a roasting rack inside a heavy gauge metal pan.
6. Try water pans to reduce flare-ups and cook juicer meats. Before starting coals remove cooking grids and place a heavy duty shallow pan directly on charcoal grid. Fill half way with water, fruit juices or other flavored liquids. Place coals around grid, per "Lighting Instructions", replace cooking grids and position food over the loaded pan.
7. Enhance food flavors by using wood chips in smoker boxes or aluminum foil pouches. Follow the wood manufacturer's instructions.
8. Rotisseries, grill baskets, vertical poultry holders and other accessories can enhance your experiences, reduce cooking times and aid in clean-up.
9. Clean cooking grids and racks after every use with a quality grill brush designed for your grid material. Wear protective gloves and gently remove the build-up while grids are hot.
10. Allow grill to fully cool after every use. Then protect clean cooking grids with a light coat of cooking oil, clean out all ashes, wipe outside surfaces with a suitable kitchen cleaner and protect surfaces with a quality cover that is properly fits your grill.
11. Watch barbecue themed TV shows or purchase related barbecue cookbooks to learn helpful and interesting tips.

## Cleaning and Care

- ▲ **CAUTION: All cleaning and maintenance should be done when grill is cool (about 45 minutes) and with the fuel supply removed.**
- ▲ **CAUTION: DO NOT clean any grill part in a self cleaning oven. The extreme heat will damage the finish.**

### Notices:

1. Abrasive cleaners will damage this product.
2. Never use oven cleaner to clean any part of grill.

### Cleaning Surfaces:

1. Wipe surfaces clean with mild dishwashing detergent or baking soda.
2. For stubborn surfaces use a citrus based degreaser and a nylon scrubbing brush.
3. Rinse clean with water.

### Tips:

1. Keep grill covered when not in use to help prevent rust.
2. Applying a light coat of vegetable oil or vegetable oil spray to the interior surfaces of the grill can help prevent rust. Do NOT coat charcoal grate or ash receiver.

## Product Registration

For faster warranty service, register your product immediately at [www.bluerhino.com](http://www.bluerhino.com) or call 1.800.762.1142.

## Limited Warranty

Blue Rhino Global Sourcing, Inc ("Vendor") warrants to the original retail purchaser of this product, and to no other person, that if this product is assembled and operated in accordance with the printed instructions accompanying it, then for a period of one (1) year from the date of purchase, all parts in such product shall be free from defects in material and workmanship. Vendor may require reasonable proof of your date of purchase. Therefore, you should retain your sales slip or invoice. This Limited Warranty shall be limited to the repair or replacement of parts, which prove defective under normal use and service and which Vendor shall determine in its reasonable discretion upon examination to be defective. Before returning any parts, you should contact Vendor's Customer Service Department using the contact information listed below. If Vendor confirms, after examination, a defect covered by this Limited Warranty in any returned part, and if Vendor approves the claim, Vendor will replace such defective part without charge. If you return defective parts, transportation charges must be prepaid by you. Vendor will return replacement parts to the original retail purchaser, freight or postage prepaid.

This Limited Warranty does not cover any failures or operating difficulties due to accident, abuse, misuse, alteration, misapplication, improper installation or improper maintenance or service by you or any third party, or failure to perform normal and routine maintenance on the product as set out in this owner's manual. In addition, the Limited Warranty does not cover damage to the finish, such as scratches, dents, discoloration, rust or other weather damage, after purchase.

This Limited Warranty is in lieu of all other express warranties. Vendor disclaims all warranties for products that are purchased from sellers other than authorized retailers or distributors, including the warranty of merchantability or the warranty of fitness for a particular purpose. VENDOR ALSO DISCLAIMS ANY AND ALL IMPLIED WARRANTIES, INCLUDING WITHOUT LIMITATION THE IMPLIED WARRANTIES OF MERCHANTABILITY AND FITNESS FOR A PARTICULAR PURPOSE. VENDOR SHALL HAVE NO LIABILITY TO PURCHASER OR ANY THIRD PARTY FOR ANY SPECIAL, INDIRECT, PUNITIVE, INCIDENTAL, OR CONSEQUENTIAL DAMAGES. Vendor further disclaims any implied or express warranty of, and assumes no responsibility for, defects in workmanship caused by third parties.

This Limited Warranty gives the purchaser specific legal rights; a purchaser may have other rights depending upon where he or she lives. Some jurisdictions do not allow the exclusion or limitation of special, incidental or consequential damages, or limitations on how long a warranty lasts, so the above exclusion and limitations may not apply to everyone.

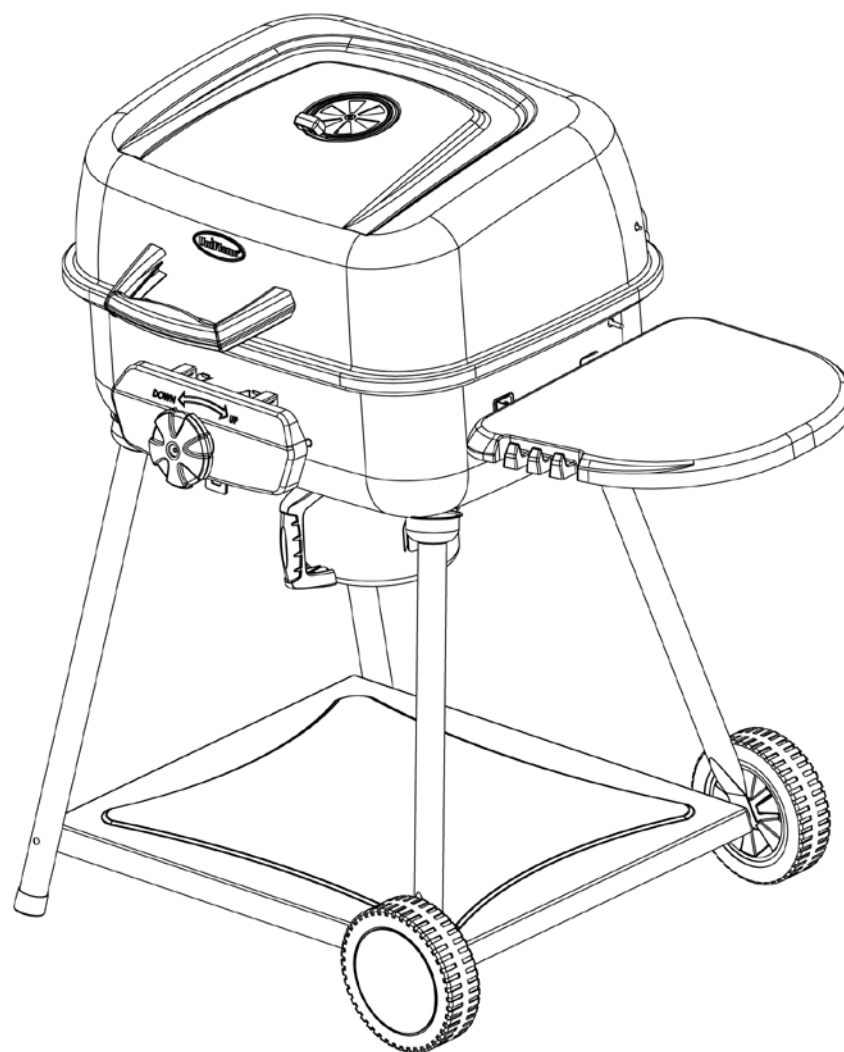
Vendor does not authorize any person or company to assume for it any other obligation or liability in connection with the sale, installation, use, removal, return, or replacement of its equipment, and no such representations are binding on Vendor.

Blue Rhino Global Sourcing, Inc  
Winston-Salem, North Carolina USA  
(800) 762-1142



## Barbecue d'extérieur au charbon de bois

Modèle n° CBC1232SP



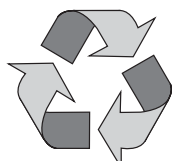
**AVERTISSEMENT**  
**POUR VOTRE SÉCURITÉ:**  
 Pour usage à l'extérieur seulement  
 (hors de tout abri clos)

**AVERTISSEMENT**  
**POUR VOTRE SÉCURITÉ:**

1. Toute installation défectueuse ou modification incorrecte ainsi que tout mauvais réglage ou entretien incorrect risque d'entraîner des blessures ou des dégâts matériels.
2. Lire complètement les instructions d'installation, d'utilisation et d'entretien avant de procéder à la maintenance de l'appareil ou à son entretien.
3. Le non-respect de ces consignes risque de provoquer un incendie ou une explosion et entraîner des dégâts matériels, des blessures graves voire la mort.
4. Ce manuel d'utilisation contient des consignes de sécurité indispensables au montage et au bon fonctionnement de l'appareil.
5. Lire et suivre toutes les mises en garde et instructions avant d'assembler et d'utiliser l'appareil.
6. Suivre toutes les mises en garde et instructions lors de l'utilisation de l'appareil.
7. Conserver ce manuel afin de pouvoir s'y référer ultérieurement.

Conservez ces instructions afin de pouvoir les consulter ultérieurement. Si vous êtes en train d'assembler cet appareil pour une autre personne, veuillez lui fournir le manuel afin qu'elle puisse le consulter plus tard.

Table des matières	
Consignes de sécurité importantes . . . . .	page 2
Vue éclatée des pièces et quincaillerie . . . . .	3
Instructions d'assemblage . . . . .	4
Fonctionnement . . . . .	7
Utiliser le barbecue pour la première fois . . . . .	7
Allumer le barbecue . . . . .	7
Cuisson . . . . .	7
Éliminer les flambées soudaines . . . . .	8
Conseils . . . . .	8
Nettoyage et entretien . . . . .	8
Enregistrement de l'appareil . . . . .	8
Garantie limitée . . . . .	8



Fabriqué à partir de 75% de bagasse de canne à sucre (résidu de pulpe de canne à sucre sans danger pour l'environnement)

Fabriqué en Chine pour: Blue Rhino Global Sourcing, Inc  
 Winston-Salem, NC États-Unis • 1.800.762.1142, www.bluerhino.com

© Blue Rhino Global Sourcing, Inc. Tous droits réservés.

UniFlame® est une marque déposée de Blue Rhino Global Sourcing, Inc. Tous droits réservés.  
 Download from Wwww.Somanuals.com. All Manuals Search And Download.

CBC1232SP-OM-102 EF


**AVERTISSEMENT**
**POUR VOTRE SÉCURITÉ:**

Ne pas utiliser ni entreposer d'essence ou de liquides présentant des vapeurs inflammables dans le voisinage de cet appareil ou de tout autre appareil.


**DANGER**

Ne jamais laisser un barbecue allumé sans surveillance.

**▲ DANGER:** Le non-respect des avis de danger, des mises en garde et des consignes de sécurité de ce manuel risque de provoquer un incendie ou une explosion et d'entraîner des dégâts matériels, des blessures graves voire la mort.

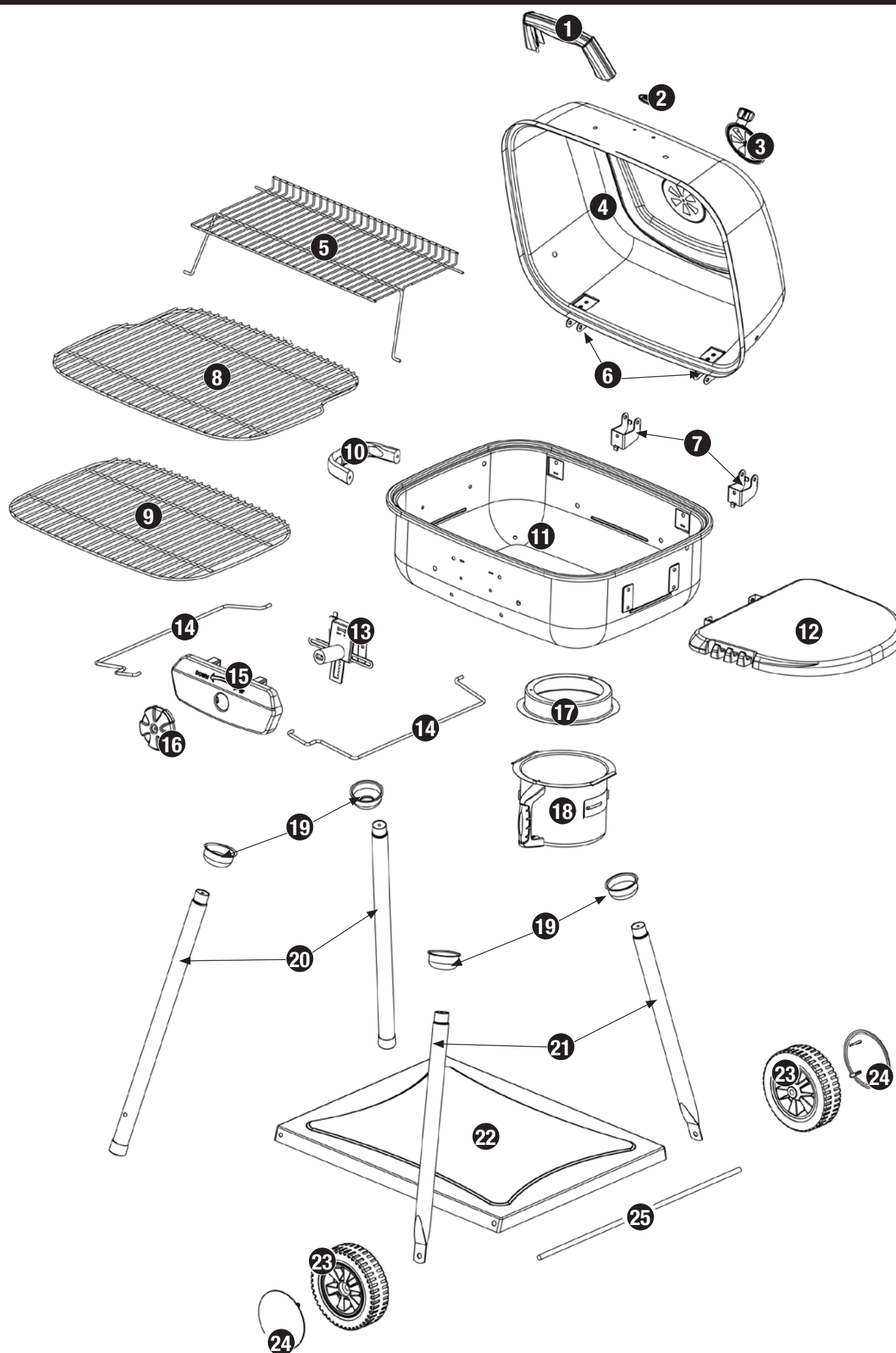
**▲ AVERTISSEMENT:**

- ▲ Ce barbecue d'extérieur doit être utilisé uniquement à l'extérieur et ne doit PAS être utilisé dans un immeuble, un garage ou tout autre espace clos.
- ▲ Pour usage domestique uniquement. Ce barbecue N'est PAS destiné à un usage commercial.
- ▲ Ne jamais utiliser de charbon de bois ayant été prétraité avec du liquide allume-barbecue. Utiliser uniquement du charbon de bois de haute qualité, un mélange de charbon de bois et de bois, du charbon de bois en blocs ou briquettes ou du bois. Toute tentative de conversion ou d'utilisation de ce barbecue au charbon de bois avec une autre source de combustible est dangereuse et entraînera l'annulation de la garantie.
- ▲ Ce barbecue n'est pas sensé être utilisé pour se chauffer. Des émanations TOXIQUES peuvent s'accumuler et provoquer l'asphyxie.
- ▲ Ne pas utiliser le barbecue pour cuisiner à l'intérieur.
- ▲ Des émanations toxiques de monoxyde de carbone peuvent s'accumuler et provoquer l'asphyxie.
- ▲ Ce barbecue est homologué afin de pouvoir être utilisé en toute sécurité uniquement aux États-Unis et au Canada. Ne pas modifier le barbecue en vue de l'utiliser autre part. Toute modification présentera un danger pour l'utilisateur et entraînera l'annulation de la garantie.
- ▲ NE PAS utiliser ou allumer cet appareil à moins de dix (10) pieds (3 m) de tout mur, construction ou immeuble.
- ▲ Avis aux personnes habitant en appartements : Vérifier auprès de la gérance pour connaître les conditions requises, la réglementation et le code de prévention des incendies de votre complexe d'habitations collectives. Si permis, utiliser le foyer en le posant au sol en laissant une distance de sécurité de dix (10) pieds (3 m) entre le barbecue et toute structure. Ne pas utiliser sous un balcon.
- ▲ La distance de sécurité minimum entre le barbecue et toute surface ou structure combustible est de 36 po. (92 cm) sur les côtés et derrière le barbecue. NE PAS utiliser ce barbecue sous un toit ou une structure quelconque suspendue, en saillie ou en surplomb au dessus du barbecue.
- ▲ NE PAS utiliser d'essence, de pétrole lampant ni d'alcool pour allumer le barbecue.
- ▲ NE PAS utiliser le barbecue en présence de vapeurs et émanations explosives. Veiller à ce que la zone autour du barbecue demeure dégagée et dépourvue de matières combustibles, d'essence et d'autres liquides et vapeurs inflammables.
- ▲ NE PAS utiliser ni entreposer d'essence ou de liquides présentant des vapeurs inflammables à moins de 25 pieds (7,6 m) de cet appareil ou de tout autre appareil.
- ▲ NE modifier en aucune façon ce barbecue. Toute modification entraînera l'annulation de la garantie.
- ▲ NE PAS utiliser le barbecue à moins qu'il ne soit COMPLÈTEMENT assemblé et que toutes les pièces ne soient toutes fixées et serrées.
- ▲ Ce barbecue doit être vérifié et nettoyé en entier régulièrement.
- ▲ Utiliser uniquement des pièces agréées de l'usine Blue Rhino Global Sourcing, Inc. L'emploi de toute pièce non agréée peut être dangereuse et entraînera l'annulation de la garantie.
- ▲ Ne pas utiliser cet appareil avant de lire le chapitre « Fonctionnement » de ce manuel.
- ▲ Ne pas toucher les pièces métalliques du barbecue avant qu'il n'ait complètement refroidi (attendre environ 45 minutes) afin de ne pas se brûler, à moins de porter des vêtements de protection (gants, maniques, attirail de barbecue, etc.).
- ▲ Ne pas toucher les grilles (de charbon de bois et de cuisson), les cendres ni les briquettes de charbon de bois afin de vérifier si elles sont chaudes.
- ▲ Ne pas utiliser cet appareil sur une terrasse en bois, des meubles en bois ou sur toute autre surface combustible.
- ▲ Ne pas installer ni utiliser cet appareil à bord d'un bateau ou d'un véhicule récréatif.
- ▲ Placer le barbecue de manière à ce que le vent ne puisse emporter des cendres jusqu'à des surfaces combustibles.
- ▲ Ne pas utiliser le barbecue par grand vent.
- ▲ Ne jamais se pencher au-dessus du barbecue pour l'allumer.
- ▲ Ne pas laisser un barbecue sans surveillance surtout si des enfants ou des animaux domestiques ou de compagnie sont à proximité du barbecue.
- ▲ Ne pas essayer de déplacer le barbecue quand il est allumé. Laisser le barbecue refroidir (environ 45 minutes) avant de le déplacer ou de le remiser.
- ▲ Lors de la cuisson, conserver toujours à portée de main des articles ou matières capables d'éteindre le feu. En cas de feu de graisse ou d'huile, ne pas tenter d'éteindre le feu avec de l'eau. Utiliser un extincteur à poudre BC ou étouffer le feu avec de la terre, du sable ou du bicarbonate de soude.
- ▲ Veiller à toujours ouvrir lentement et avec précaution le couvercle du barbecue à charbon de bois de sorte que la chaleur et la vapeur accumulées ne provoquent de graves brûlures.
- ▲ Ne pas laisser le barbecue sans surveillance lorsqu'il est en phase de préchauffage ni après la cuisson pendant l'élimination des résidus de nourriture par chaleur intense. Si le barbecue n'est pas nettoyé, un feu de graisse risque de se produire et d'endommager le barbecue.
- ▲ Ne pas placer de récipient vide sur le barbecue lorsqu'il est allumé.
- ▲ Faire preuve de précautions au moment de placer quelque chose sur le barbecue lorsqu'il est allumé.
- ▲ Ne jamais ajouter de liquide allume-barbecue sur des briquettes de charbon de bois brûlantes ou même tièdes car cela risque de provoquer une flambée soudaine et d'entraîner des blessures graves ou des dégâts matériels.
- ▲ Placer toujours le barbecue sur une surface plane, dure et non combustible. Il est déconseillé de le placer sur de l'asphalte ou du bitume.
- ▲ N'enlever les cendres que lorsqu'elles sont complètement et totalement éteintes.
- ▲ Les briquettes chaudes et les morceaux de charbon chaud peuvent provoquer un incendie.
- ▲ Veiller à toujours vider le cendrier et le barbecue après chaque utilisation.
- ▲ Ne pas placer de combustible (briquettes de charbon de bois, bois ou morceaux de charbon de bois) directement dans le fond du barbecue. Placer le combustible uniquement sur la grille ou la plaque à charbon de bois.
- ▲ Ne pas laisser le charbon de bois reposer contre les parois du barbecue. Ceci risque de réduire la durée de vie du métal et du fini du barbecue.
- ▲ S'assurer que les volets d'aération ne comportent pas de débris ni de cendre avant d'utiliser le barbecue.
- ▲ S'assurer que le cendrier est fermement et complètement installé avant d'utiliser le barbecue.
- ▲ Les morceaux de charbon de bois éteints et les cendres doivent être placés à une distance sécuritaire de toute construction et matière combustible.
- ▲ À l'aide d'un tuyau d'arrosage, mouiller complètement la surface sous et autour du barbecue pour éteindre les cendres, les briquettes de charbon de bois ou les braises qui risqueraient d'être tombées lors de la cuisson ou du nettoyage.
- ▲ Porter toujours des gants de protection pour ajouter du combustible (briquettes de charbon de bois, bois ou morceaux de charbon de bois) afin de maintenir le niveau de chaleur désiré.
- ▲ Veiller à ce que les câbles et cordons électriques demeurent toujours loin du barbecue lorsqu'il est chaud.
- ▲ Utiliser toujours un thermomètre à viande afin de s'assurer que la nourriture est cuite à une température adéquate.
- ▲ Ne jamais recouvrir la totalité de l'espace de cuisson avec du papier d'aluminium.
- ▲ Porter des gants de protection pour assembler cet article.
- ▲ Ne pas forcer les pièces les unes dans les autres afin d'éviter toute blessure et éviter d'endommager cet article.
- ▲ Les consignes ci-dessus doivent être strictement respectées et le non respect de ces consignes risque de provoquer des dégâts matériels ou d'entraîner des blessures graves voire la mort.

### Liste des pièces

1	Poignée du couvercle	55-09-308
2	Plaque de marque	55-11-247
3	Volet d'aération	55-14-794
4	Couvercle	55-11-540
5	Grille de réchauffage	55-14-855
6	Charnière supérieure (2)	55-15-123
7	Charnière inférieure (2)	55-14-868
8	Grille de cuisson	55-14-873
9	Grille à charbon de bois	55-14-856
10	Poignée latérale	55-11-230
11	Cuve	55-11-541
12	Tablette latérale	55-10-085
13	Mécanisme du bouton de réglage	55-11-542
14	Tige de support de la grille à charbon de bois	55-14-872
15	Panneau de commande	55-11-543
16	Bouton de commande	55-11-544
17	Glissière du cendrier	55-09-200
18	Cendrier	55-09-199
19	Capuchon de support de pied (2)	55-11-545
20	Pied gauche (2)	55-14-863
21	Pied à roue	55-11-562
22	Tablette inférieure	55-11-563
23	Roue (2)	55-14-861
24	Enjoliveur (2)	55-10-432
25	Essieu	55-11-546

### Vue éclatée



### Quincaillerie

A	Vis	Nickelée, à tête bombée Phillips, M4x15	1 pc
B	Vis	Nickelée, à tête bombée Phillips, M5x12	7 pcs
C	Vis	Nickelée, à tête bombée Phillips, M6x16	9 pcs
D	Vis	Nickelée, à tête bombée Phillips, M6x40	4 pcs
E	Vis	Nickelée, à tête bombée Phillips, M6x45	2 pcs
F	Écrou	Nickelée, M10	2 pcs
G	Écrou borgne	Nickelé, M5	2 pcs
H	Écrou à oreilles	Nickelé, M5	3 pcs
I	Écrou à oreilles	Nickelé, M6	7 pcs
J	Rondelle	Nickelée, ø5,5	6 pcs
K	Rondelle	Nickelée, ø6,5	5 pcs
L	Rondelle	Aluminium, ø6,5	12 pcs
M	Rondelle	Nickelée, ø6,2	4 pcs
N	Rondelle	Résistante à la chaleur, ø6,2	10 pcs

O	Rondelle de blocage	Nickelée, ø5,5	7 pcs
P	Rondelle de blocage	Nickelée, ø6,5	11 pcs
Q	Goupille	Nickelée, ø6 x 45	2 pcs
R	Goupille fendue	Noire, ø1,4 x 30	2 pcs

### Outils requis pour l'assemblage (fournis)

Tournevis cruciforme Phillips n° 2	1 pc
Clé M5 - M10	2 pcs

**Instructions d'assemblage**

**1 NE PAS RETOURNER AU MAGASIN AVEC CET ARTICLE.**

Pour toute assistance technique, appelez le numéro sans frais **1.800.762.1142**. Faites en sorte que votre manuel d'utilisation et le numéro du modèle soient à portée de main afin de pouvoir vous y référer.

Pour faciliter l'assemblage:

- Pour éviter de perdre des petites pièces ou la quincaillerie d'installation, assemblez cet article sur une surface dure et plane qui ne comporte pas de trous ni de fissures.
- Prévoyez une surface de travail suffisamment grande afin d'étaler toutes les pièces et la quincaillerie d'installation.
- Lorsque nécessaire, serrez toute les fixations et la visserie en premier, puis une fois l'étape terminée, serrez-les complètement.
- Suivez toutes les étapes dans l'ordre afin d'assembler correctement cet article.

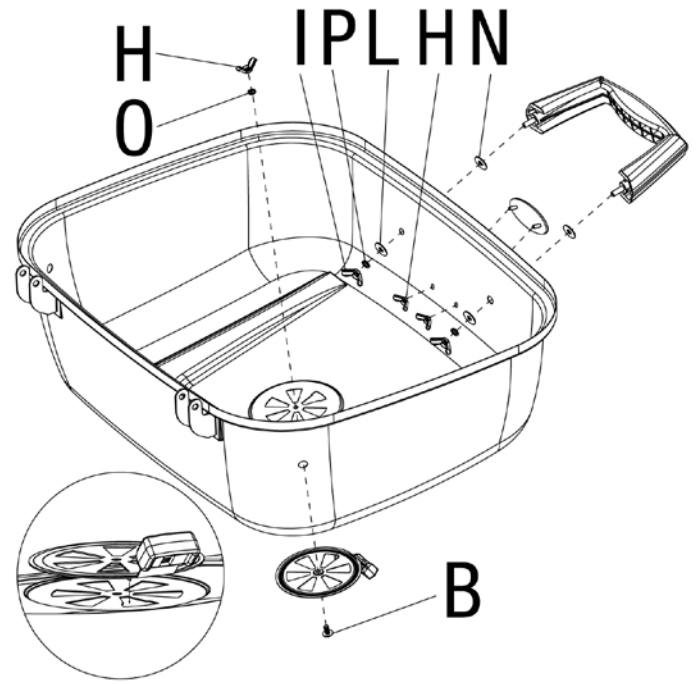
Pour effectuer l'assemblage, vous aurez besoin des choses suivantes:

- un (1) sac de charbon de bois

*Remarque:* Veuillez suivre toutes les étapes dans l'ordre afin d'assembler correctement le barbecue.

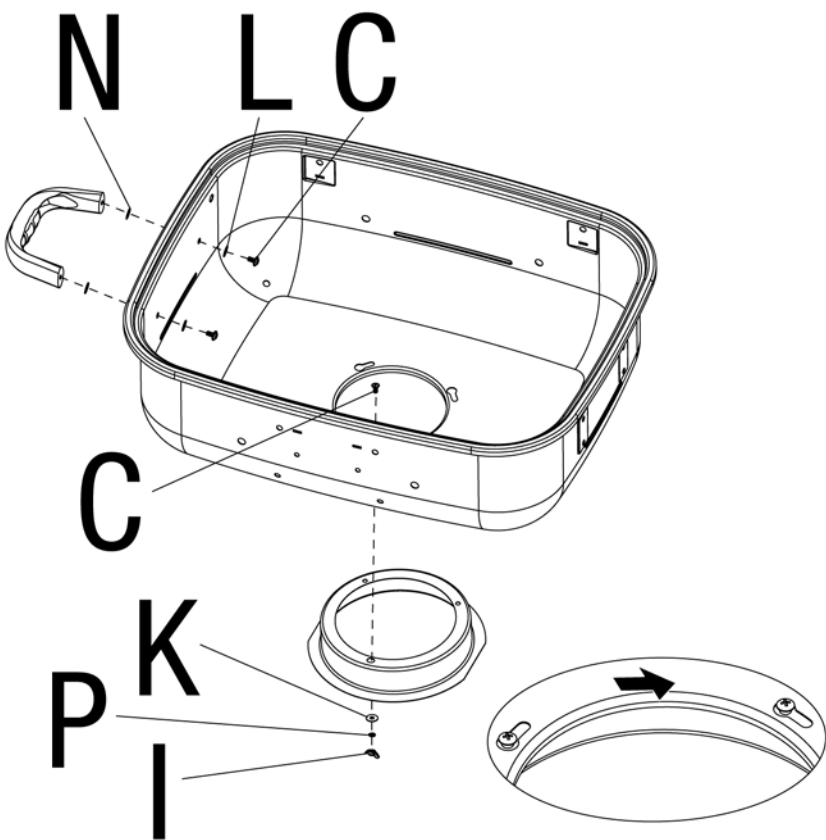
Temps d'assemblage: environ 45 minutes.

**2 Fixez la plaque de marque et le volet d'aération et la poignée du couvercle**



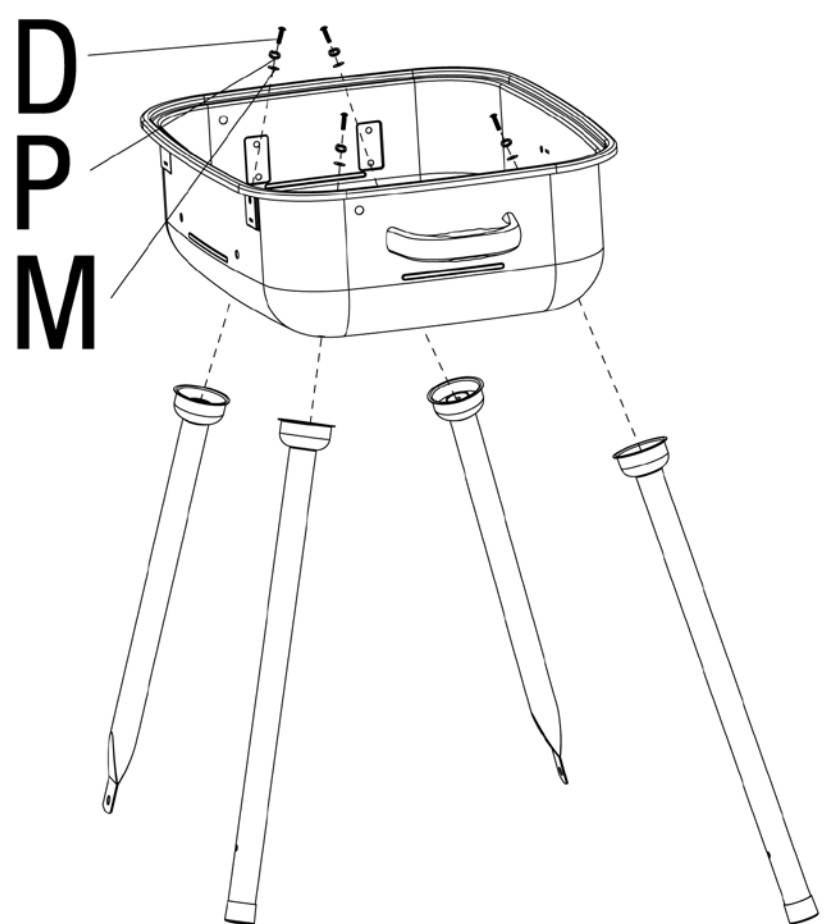
- |   |  |     |   |  |     |
|---|--|-----|---|--|-----|
| B |  | x 1 | L |  | x 2 |
| H |  | x 3 | N |  | x 2 |
| I |  | x 2 | O |  | x 1 |
|   |  |     | P |  | x 2 |

**3 Fixez la poignée latérale et la glissière du cendrier**



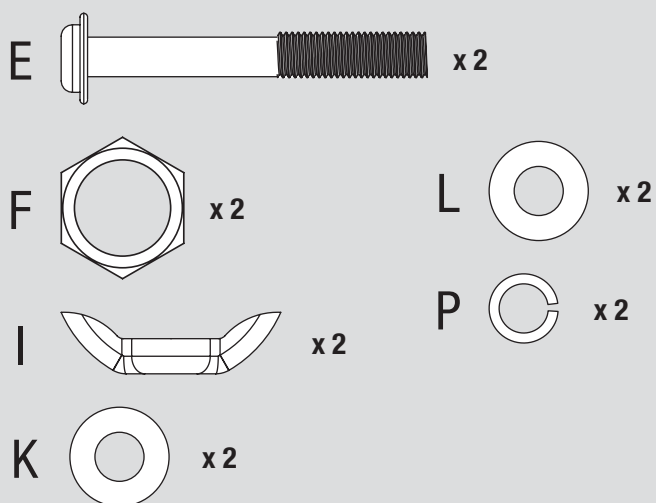
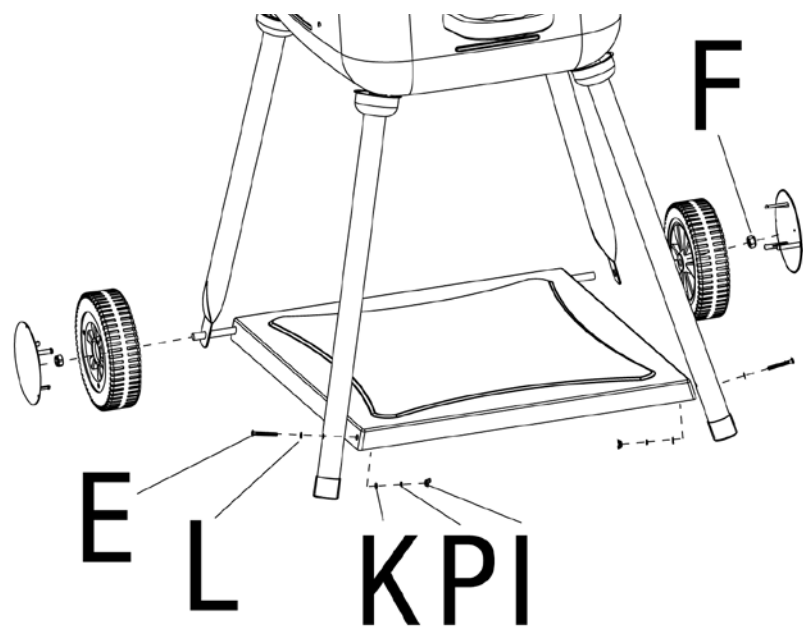
- |   |  |     |   |  |     |
|---|--|-----|---|--|-----|
| C |  | x 3 | L |  | x 2 |
| I |  | x 1 | N |  | x 2 |
| K |  | x 1 | P |  | x 1 |

**4 Fixez les pieds et les capuchons de support des pieds**



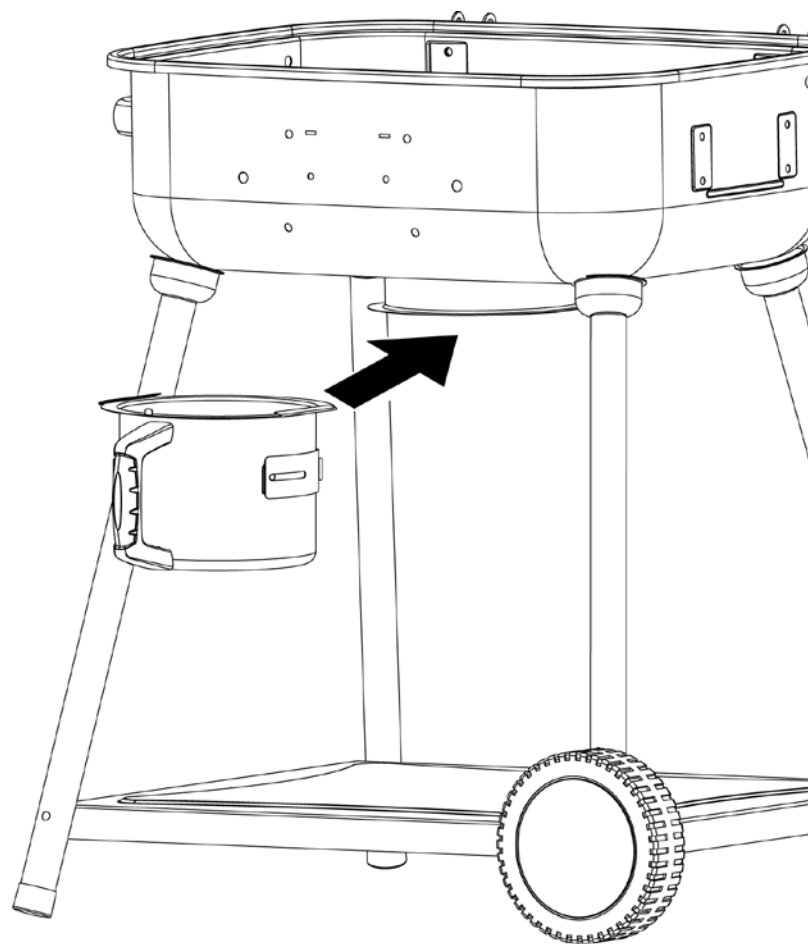
- |   |  |     |   |  |     |
|---|--|-----|---|--|-----|
| D |  | x 4 | P |  | x 4 |
| M |  | x 4 |   |  |     |

## 5 Fixez la tablette inférieure, l'essieu, les roues et les enjoliveurs

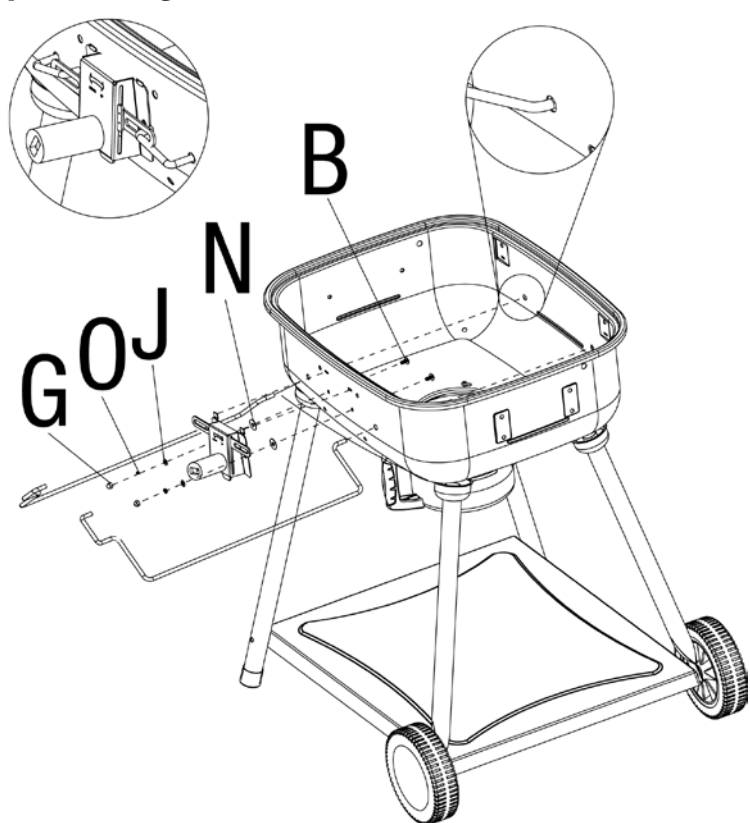


## 6 Insérez le cendrier

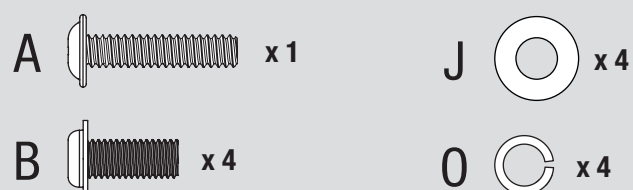
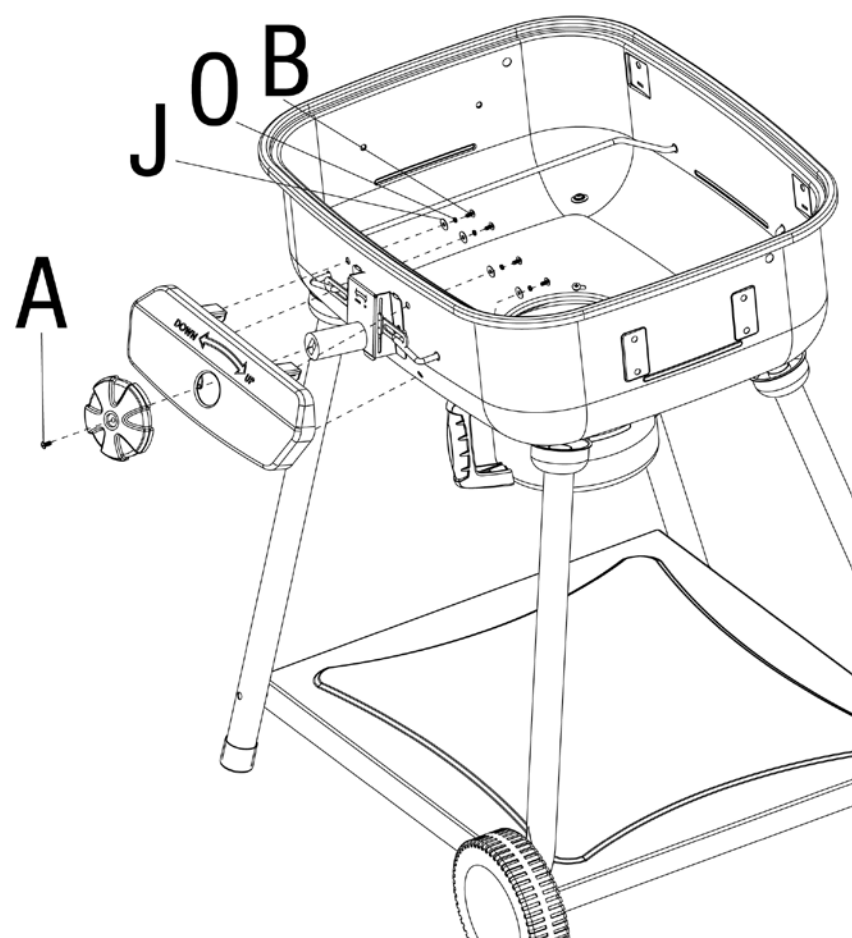
Remarque: Le cendrier doit toujours être en place avant d'allumer le barbecue.



## 7 Fixez le mécanisme du bouton de réglage et les tiges de support de la grille à charbon de bois



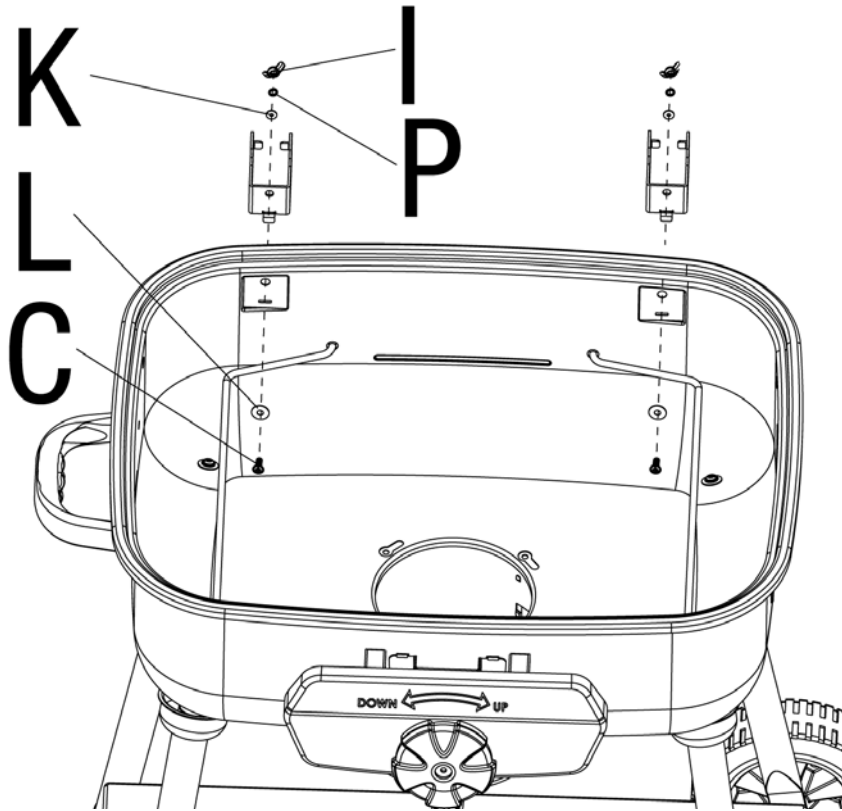
## 8 Fixez le panneau de commande et le bouton de réglage

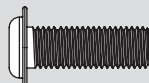

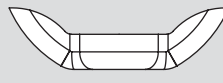




**Instructions d'assemblage (suite)**

**9**

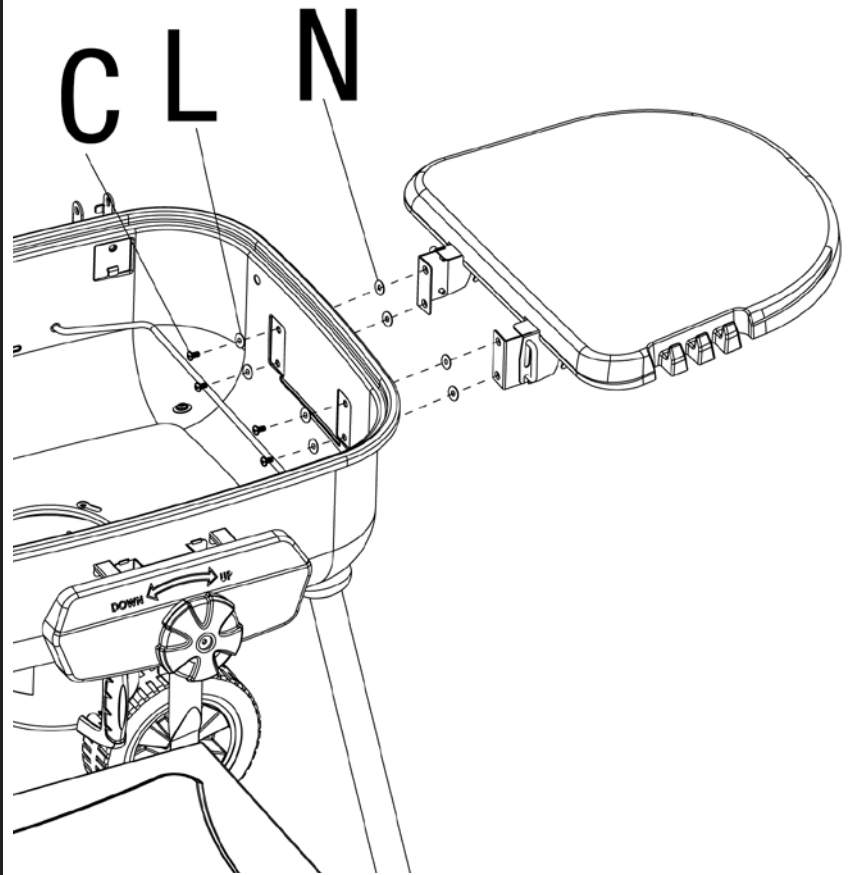
Fixez les charnières inférieures

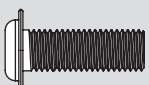




- C  x2
- I  x2
- K  x2
- L  x2
- P  x2

**10**

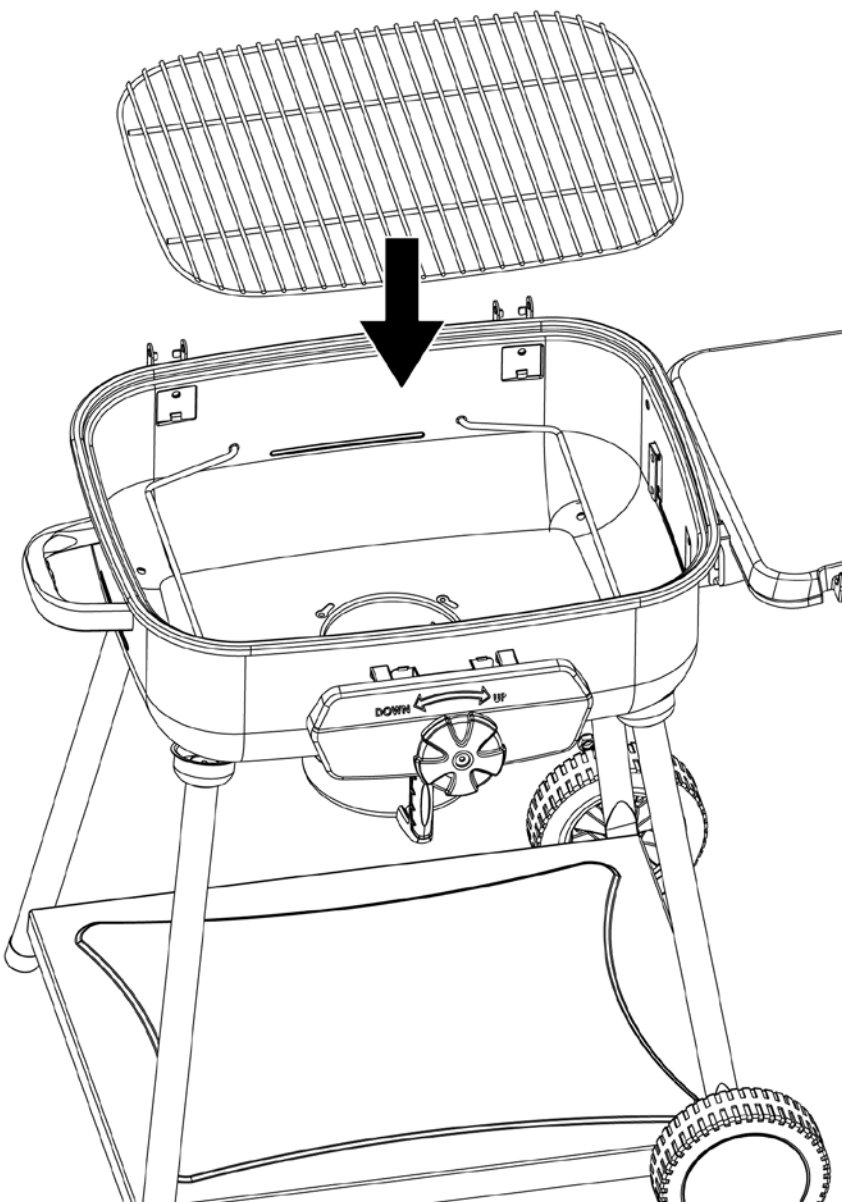
Fixez la tablette latérale



- C  x4
- L  x4
- N  x4

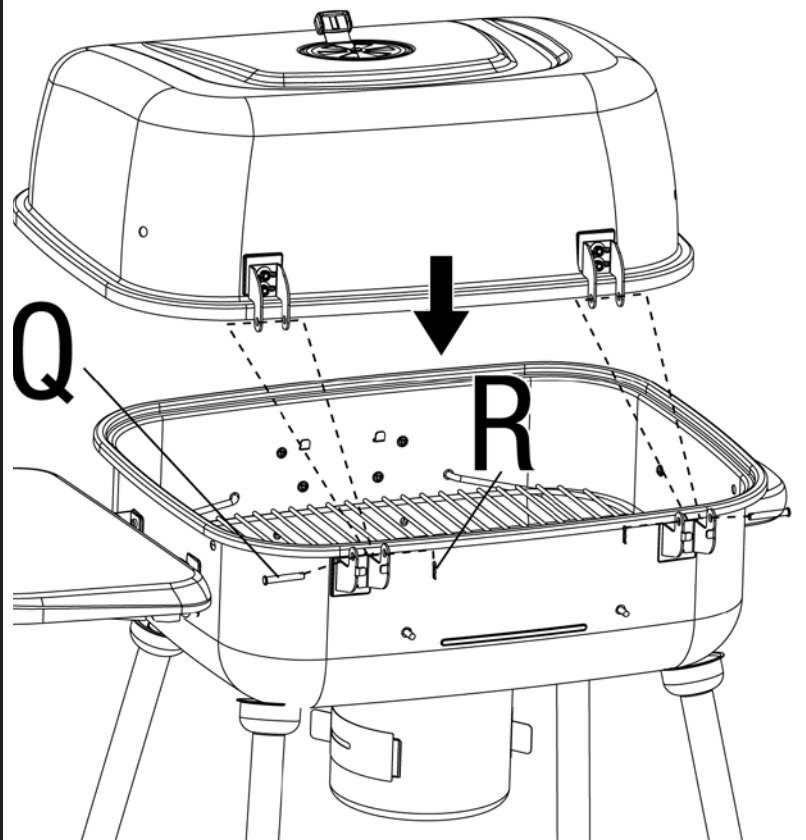
**11**

Insérez la grille à charbon de bois



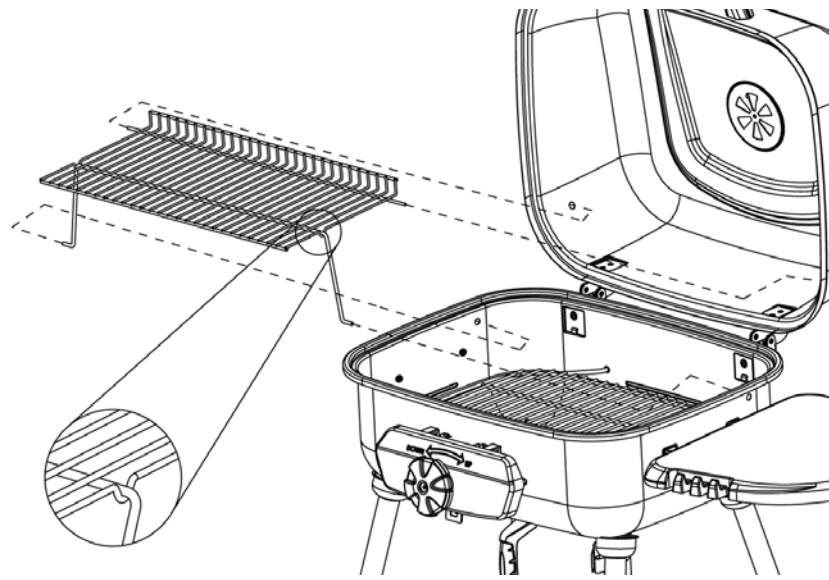
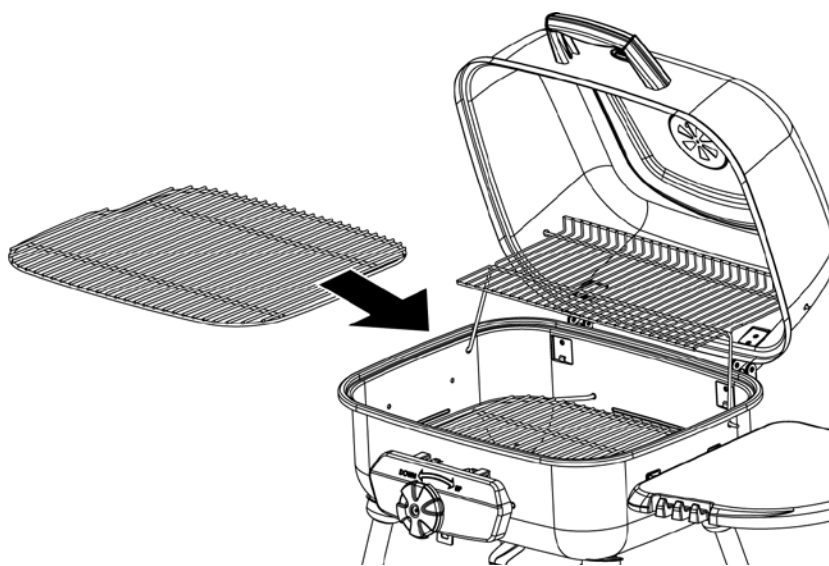
**12**

Fixez le couvercle



- Q  x2
- R  x2

13

**Placez la grille de réchauffage****Placez la grille de cuisson****Fonctionnement**

- ▲ **ATTENTION : Ne jamais utiliser de charbon de bois ayant été prétraité avec du liquide allume-barbecue. Utiliser uniquement du charbon de bois de haute qualité, un mélange de charbon de bois et de bois, du charbon de bois en blocs ou briquettes ou du bois.**
- ▲ **ATTENTION : La charge maximum pouvant être soutenue par la tablette est de 6,6 lb (3 kg).**

**Utiliser le barbecue pour la première fois**

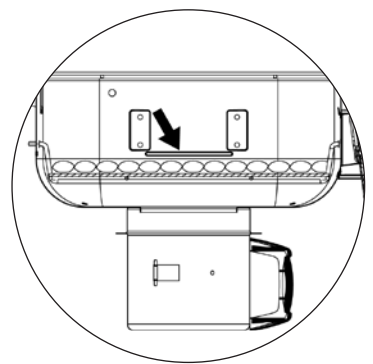
1. Assurez-vous d'avoir retiré toutes les étiquettes ainsi que tout le matériau d'emballage et le film protecteur du barbecue.
2. Avant de cuire quoi que ce soit sur le barbecue pour la première fois, faites fonctionner le barbecue pendant environ 15 minutes avec le couvercle fermé. La chaleur « nettoiera » les pièces internes et dissipera les odeurs.

**Allumage**

- ▲ **Assurez-vous qu'il n'y a pas de débris ni de cendres dans les volets d'aération avant d'utiliser le barbecue.**
- ▲ **Assurez-vous que le cendrier est vide et correctement installé avant d'utiliser le barbecue.**

1. Ouvrez le couvercle et les volets d'aération.
2. Assurez-vous que le cendrier est vide et bien bixé.
3. Retirez la grille de cuisson.
4. Abaissez la grille à charbon de bois au réglage le plus bas.
5. Disposez les briquettes de charbon de bois ou le combustible sur la grille jusqu'au repère "Fill Line" (ligne de remplissage).
6. Placez et allumez le combustible en suivant les instructions figurant sur le sac d'emballage.
7. Laissez le combustible se transformer en charbon chaud recouvert de cendres avant la cuisson.

Illustration 1



- ▲ **ATTENTION: Lorsque vous utilisez du liquide allume-barbecue, vérifiez toujours le cendrier avant d'allumer le barbecue. Du liquide allume-barbecue peut s'accumuler dans le cendrier et risque de s'enflammer et de provoquer un feu sous la cuve du barbecue.**
- ▲ **ATTENTION: N'ajoutez jamais de liquide allume-barbecue à des briquettes de charbon de bois brûlantes ou même tièdes car cela risque de provoquer une flambée soudaine et d'entraîner des blessures graves ou des dégâts matériels.**

**Grille réglable pour charbon de bois**

La grille réglable brevetée pour charbon de bois vous permet de facilement régler la température du barbecue.

Pour lever la grille à charbon de bois et cuire vos aliments à une température plus élevée, tournez le bouton vers la droite (dans le sens des aiguilles d'une montre).

Pour baisser la grille à charbon de bois et cuire vos aliments à une température moins élevée, tournez le bouton vers la gauche (dans le sens inverse à celui des aiguilles d'une montre).

**Pour une cuisson directe**

Laissez cuire les aliments directement sur les morceaux de charbons chauds. Cette cuisson est idéale afin de piéger le jus à l'intérieur des aliments et pour les aliments tels que les steaks, les hot-dogs, le poulet, les légumes et les fruits dont la cuisson prendra moins de 25 minutes.

1. Ouvrez le couvercle et retirez la grille de cuisson.
2. Chargez le charbon de bois et allumez-le en suivant les instructions d'allumage de ce manuel. Laissez le couvercle ouvert.
3. Portez des gants de protection et utilisez un outil à long manche pour disposer les morceaux de charbon de bois chauds sur la grille à charbon de bois.
4. Portez des gants de protection et remettez en place la grille de cuisson, fermez le couvercle et laissez préchauffer le barbecue.
5. Portez des gants de protection et utilisez un outil à long manche pour disposer les aliments sur les grilles de cuisson, au-dessus des morceaux de charbon.
6. Avec le couvercle ouvert ou fermé, laissez la nourriture cuire jusqu'à ce que la température interne désirée des aliments soit atteinte.

*Remarque:* Si vous avez besoin d'ajouter des briquettes de charbon de bois supplémentaires, retirez les aliments de la grille de cuisson, enfiler des gants de protection, retirez la grille de cuisson et placez des briquettes supplémentaires sans déranger les morceaux de charbons chauds. Remplacez la grille de cuisson et les aliments en faisant preuve de précaution.

7. Laissez le charbon de bois se consumer en fermant le couvercle et tous les volets d'aération. Sauf en cas de danger, NE PAS verser d'eau sur les morceaux de charbon chauds.

**Pour une cuisson indirecte**

Cette cuisson consiste à ne pas cuire les aliments directement sur les morceaux de charbon chauds. Cette cuisson est idéale pour toute cuisson lente et pour les aliments dont la cuisson prend plus de 25 minutes comme les rôtis, les filets, les côtelettes ainsi que les poulets, dindes, et poissons entiers et les articles de boulangerie.

1. Ouvrez le couvercle et retirez la grille de cuisson.
2. Chargez les briquettes de charbon de bois et allumez-les en suivant les instructions d'allumage de ce manuel. Laissez le couvercle ouvert.
3. Portez des gants de protection et utilisez un outil à long manche pour disposer les morceaux de charbon de bois chauds sur la grille à charbon de bois.

## Instrucciones de operación (continuación)

- Portez des gants de protection et remettez en place la grille de cuisson, fermez le couvercle et laissez barbecue chauffer avant de l'utiliser.
- Portez des gants de protection et ouvrez le couvercle. Utilisez un outil à long manche pour disposer les aliments sur les grilles de cuisson, au-dessus des espaces de cuisson ne contenant pas de morceaux de charbon de bois chauds.
- Avec le couvercle fermé, laissez la nourriture cuire jusqu'à ce que la température interne désirée des aliments soit atteinte.

*Remarque:* Si vous avez besoin d'ajouter des briquettes de charbon de bois supplémentaires, retirez les aliments de la grille de cuisson, enfiler des gants de protection, retirez la grille de cuisson et placez des briquettes supplémentaires sans déranger les morceaux de charbon de bois chauds. Remplacez la grille de cuisson et les aliments en faisant preuve de précaution

- Laissez le charbon de bois se consumer en fermant le couvercle et tous les volets d'aération. Sauf en cas de danger immédiat, NE PAS verser d'eau sur les morceaux de charbon de bois chauds.

Pour plus de conseils sur la cuisson indirecte, veuillez vous reporter au chapitre « Quelques conseils pour de meilleures grillades et afin d'assurer la pérennité du barbecue ».

### Éliminer les flambées soudaines:

- ▲ Attention: Ne pas utiliser d'eau sur un feu de graisse. La graisse risque de vous éclabousser et de provoquer des brûlures graves, des blessures et autres dégâts matériels.**
- ▲ Attention: Ne pas laisser le barbecue sans surveillance lorsque vous préchauffez le barbecue ou brûlez des résidus de nourriture. Si le barbecue n'a pas été nettoyé régulièrement, vous courrez le risque d'un feu de graisse qui risque d'endommager le barbecue.**
- ▲ AVERTISSEMENT: Lors de la cuisson, conserver toujours à portée de main des articles ou matières capables d'éteindre le feu. En cas de feu de graisse ou d'huile, ne pas tenter d'éteindre le feu avec de l'eau. Utiliser un extincteur à poudre BC ou étouffer le feu avec de la terre, du sable ou du bicarbonate de soude.**

Les flambées soudaines sont normales et se produisent régulièrement lorsque vous cuisez de la viande au barbecue et donnent un goût unique à vos grillades.

De trop nombreuses flambées soudaines risquent de brûler vos aliments et de créer une situation dangereuse pour vous et votre barbecue.

Les trop nombreuses flambées soudaines résultent d'une accumulation de résidus de graisse au fond du barbecue.

En cas de trop nombreuses flambées soudaines, NE PAS verser d'eau sur les flammes.

En cas de feu de graisse, fermez le couvercle et laissez la graisse se consumer complètement. Prenez garde lorsque vous ouvrez le couvercle afin d'éviter de vous brûler en cas de flambée soudaine.

### Minimiser les flambées soudaines:

- Découpez le gras de la viande avant la cuisson.
- Veillez à cuire les viandes très grasses à petit feu sur une cuisson indirecte.
- Assurez-vous que le barbecue se trouve sur une surface dure et non combustible.

### Quelques conseils pour de meilleures grillades et afin d'assurer la pérennité du barbecue

- Pour des recettes et des conseils, veuillez consulter [recipes.uniflame.com](http://recipes.uniflame.com)
- Pour réduire les feux de graisse, veillez à ce que le barbecue demeure propre, utilisez de la viande mince (découpez le gras) et évitez de cuire à de très hautes températures.
- Placez les aliments délicats tels que le poisson et les légumes dans du papier d'aluminium et placez-les sur la grille de cuisson supérieure (grille de réchauffage).
- Pour éviter que les aliments ne perdent leur jus, utilisez des pinces de cuisine ou des spatules au lieu de fourchettes et retournez les aliments une seule fois pendant la cuisson.
- Lors d'une cuisson indirecte pour les rôtis et les grosses tranches de viande, placez la viande sur une grille de cuisson à l'intérieur d'un bac métallique robuste. Placez le bac sur les briquettes qui ne sont pas allumées.
- Faites un essai en utilisant des bacs métalliques remplis d'eau afin de réduire les feux de graisse et cuire les viandes très juteuses. Avant d'allumer le barbecue, retirez les grilles de cuisson et placez un bac d'eau robuste et peu profond directement sur la grille à charbon de bois. Remplissez-le à moitié d'eau, de jus de fruits ou de tout autre liquide aromatisé. Disposez les morceaux de charbon de bois chauds autour de la grille en suivant les instructions d'allumage de ce manuel, remettez en place les grilles de cuisson et placez les aliments au-dessus du bac rempli d'eau.
- Rehaussez le goût des aliments en les plaçant dans des pochettes d'aluminium ou dans des fumoirs avec des copeaux de bois. Suivez les instructions du fabricant des copeaux de bois.
- Les tournebroches, les paniers à grill, les broches verticales à volailles et autres accessoires peuvent améliorer la cuisson, réduire le temps de cuisson et faciliter le nettoyage.
- Nettoyez les grilles de cuisson et les autres grilles après chaque utilisation en utilisant une brosse de barbecue de bonne qualité conçue pour le type de matériau de votre grille. Portez des gants de protection et retirez doucement les résidus demeurés sur les grilles pendant qu'elles sont encore chaudes.
- Après chaque utilisation, laissez le barbecue refroidir. Ensuite, protégez les grilles de cuisson propres en les enduisant d'une fine couche d'huile de cuisine, videz le cendrier, essuyez les surfaces externes du barbecue en utilisant un produit de nettoyage de cuisine adéquat et protégez ces surfaces en recouvrant le barbecue avec une housse de bonne qualité suffisamment grande pour ce type de barbecue.
- Regardez les programmes télévisés consacrés à la cuisson au barbecue ou achetez des livres de cuisine sur le même thème pour des conseils utiles supplémentaires.

## Nettoyage et entretien

- ▲ ATTENTION: Tout nettoyage ou entretien doit être effectué lorsque le barbecue est froid (environ 45 minutes) et après avoir retiré la matière combustible.**
- ▲ ATTENTION: NE placer aucune pièce du barbecue dans un four autonettoyant. La chaleur extrême endommagera le fini du barbecue.**

### Avis

- N'utilisez pas de produits de nettoyage abrasifs car ils risquent d'endommager le barbecue.
- N'utilisez jamais de produit à nettoyer les fours sur une pièce quelle qu'elle soit du barbecue.

### Nettoyage des surfaces du barbecue

- Essuyez les surfaces du barbecue avec un liquide à vaisselle doux ou du bicarbonate de soude.
- Pour les tâches coriaces, utilisez un dégraissant au citron et une brosse de nettoyage en nylon.
- Rincez à l'eau.

### Conseils:

- Pour éviter toute apparition de rouille, gardez le barbecue couvert lorsque vous ne l'utilisez pas.
- Pour aider à lutter contre la rouille, appliquez une légère couche d'huile végétale ou vaporisez une fine pellicule d'huile végétale sur la surface intérieure du barbecue. NE PAS appliquer d'huile végétale sur la grille à charbon de bois ni sur le cendrier.

## Enregistrement de l'appareil

Pour bénéficier plus rapidement du service offert par la garantie, veuillez enregistrer cet article immédiatement sur le site internet [www.bluerhino.com](http://www.bluerhino.com) ou appelez le 1.800.762.1142.

## Garantie limitée

La société Blue Rhino Global Sourcing, Inc ("le fabricant") garantit cet article au premier acheteur au détail et à aucune autre personne, contre tout vice de matériau et de fabrication pendant un (1) an à partir de la date d'achat si cet article est monté et utilisé conformément aux instructions fournies. Le fabricant vous demandera sans doute une preuve raisonnable d'achat datée, veuillez donc conserver votre facture ou votre reçu. Cette garantie limitée se limitera à la réparation ou au remplacement de pièces ayant été déterminées défectueuses par le fabricant lors de conditions d'utilisation et d'entretien normales. Avant de renvoyer une pièce, contactez le service à la clientèle du fabricant (Customer Service Department). Si le fabricant confirme le défaut de fabrication et approuve la réclamation, ce dernier remplacera gratuitement les dites pièces. Si vous devez renvoyer des pièces défectueuses, les pièces devront être expédiées port-payé. Le fabricant s'engage à renvoyer les pièces à l'acheteur port-payé.

Cette garantie limitée ne couvre pas les pannes et dysfonctionnements survenant suite à tout accident, mauvais usage, entretien incorrect de cet article, ou toute modification, mauvaise installation ou négligence comme il a été établi dans ce manuel. De plus, cette garantie limitée ne couvre pas les dommages au fini, à savoir les rayures, les bosses, les traces de décoloration, de rouille ou les dommages résultant des intempéries après achat de l'article.

Cette garantie remplace toute autre garantie expresse et il n'existe aucune autre garantie expresse à l'exception de la couverture indiquée ici. Le fabricant désavoue toute garantie couvrant des produits ayant été achetés auprès de revendeurs autres que les revendeurs et distributeurs agréés y compris toute garantie de commerciabilité et d'adaptation à un usage particulier. LE FABRICANT DÉCLINE ÉGALEMENT TOUTE GARANTIE IMPLICITE Y COMPRIS TOUTE GARANTIE DE COMMERCIALITÉ ET D'ADAPTATION À UN USAGE PARTICULIER. LE FABRICANT NE POURRA ÊTRE TENU RESPONSABLE PAR L'ACHETEUR OU UN TIERS POUR TOUS DÉGÂTS ET DOMMAGES PARTICULIERS, INDIRECTS, PUNITIFS OU CONSÉCUTIFS. De plus, le fabricant désavoue toute garantie expresse ou implicite et décline toute responsabilité en cas de défaut de fabrication causés par un tiers.

Cette garantie limitée octroie des droits spécifiques à l'acheteur reconnus par la loi et il est possible que ce dernier en possède d'autres selon sa localité. Certaines juridictions ne permettent pas l'exclusion ni la limitation de dommages consécutifs ou accessoires ni la limitation en temps d'une garantie et ces limitations peuvent ne pas être applicables à tous.

Le fabricant ne permet en aucun cas à une personne ou à une société de s'attribuer les responsabilités et les obligations liées à la vente, l'installation, l'utilisation, la dépose ou le remplacement de cet article, et aucune de ces représentations n'engage la responsabilité du fabricant.

Blue Rhino Sourcing, Inc  
Winston-Salem, North Carolina 27104, États-Unis  
(800)-762-1142



## Free Manuals Download Website

<http://myh66.com>

<http://usermanuals.us>

<http://www.somanuals.com>

<http://www.4manuals.cc>

<http://www.manual-lib.com>

<http://www.404manual.com>

<http://www.luxmanual.com>

<http://aubethermostatmanual.com>

Golf course search by state

<http://golfingnear.com>

Email search by domain

<http://emailbydomain.com>

Auto manuals search

<http://auto.somanuals.com>

TV manuals search

<http://tv.somanuals.com>