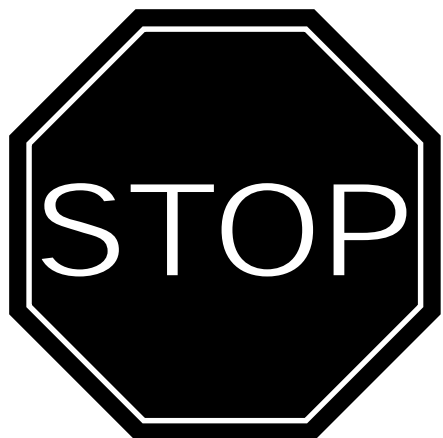


**OWNERS MANUAL**  
**CONVECTION PROPANE CONSTRUCTION HEATERS**  
**Model**  
**100R-NG**




**QUESTIONS?**  
**MISSING / DAMAGED PARTS**

**Please do not return this product to the store.**  
 If a part is damaged or missing, simply e-mail us at [php@allpro-heaters.com](mailto:php@allpro-heaters.com), or visit our website at <http://allpro-heaters.com>, or call our Customer Service Department at (888) 619-7060. We will be happy to assist you!  
 You can register your heater on line at <http://allpro-heaters.com/warranty>.

**TABLE OF CONTENTS**

HEATER SPECIFICATIONS..... 2

 WARNINGS ..... 2

OPERATING PRECAUTIONS ..... 3

SAFETY PRECAUTIONS ..... 3

ODOR FADE WARNING ..... 4

OPERATING INSTRUCTIONS ..... 5

SERVICING ..... 5

PARTS LIST ..... 6

WARRANTY ..... 7

SERVICE CENTERS ..... 7

INSTRUCTIONS FOR ORDERING PARTS ..... 7

WARRANTY REGISTRATION ..... 9

**RETAIN THESE INSTRUCTIONS FOR FUTURE REFERENCE**

# Model 100R-NG

## HEATER SPECIFICATIONS

Type of Gas:	For use with NATURAL GAS ONLY	
Gas Supply Pressure to regulator regulator out	Maximum: 1/2 psi 4" W.C.	Minimum: 5" W.C.
Ignition:	Manual, piezo ignition	
<b>Model:</b>	<b>100R-NG</b>	
Rating:	100,000 BTU/hr	
Fuel Consumption:	100 cu. ft./hr	
Fuel Orifice Port No.:	18	
Fuel Orifice Port Size:	#55 Drill	

## WARNINGS

**YOUR SAFETY IS IMPORTANT TO YOU AND TO OTHERS, SO PLEASE  
READ THESE INSTRUCTIONS BEFORE YOU OPERATE THIS HEATER.**

### GENERAL HAZARD WARNING:

**FAILURE TO COMPLY WITH THE PRECAUTIONS AND INSTRUCTIONS PROVIDED WITH THIS HEATER, CAN RESULT IN DEATH, SERIOUS BODILY INJURY AND PROPERTY LOSS OR DAMAGE FROM HAZARDS OF FIRE, EXPLOSION, BURN, ASPHYXIATION, CARBON MONOXIDE POISONING, AND/OR ELECTRICAL SHOCK.**

**ONLY PERSONS WHO CAN UNDERSTAND AND FOLLOW THE INSTRUCTIONS SHOULD USE OR SERVICE THIS HEATER.**

**IF YOU NEED ASSISTANCE OR HEATER INFORMATION SUCH AS AN INSTRUCTIONS MANUAL, LABELS, ETC. CONTACT THE MANUFACTURER.**

### WARNING: NOT FOR HOME OR RECREATIONAL VEHICLE USE

** WARNING: FIRE, BURN, INHALATION, AND EXPLOSION HAZARD. KEEP SOLID COMBUSTIBLES, SUCH AS BUILDING MATERIALS, PAPER OR CARDBOARD, A SAFE DISTANCE AWAY FROM THE HEATER AS RECOMMENDED BY THE INSTRUCTIONS NEVER USE THE HEATER IN SPACES WHICH DO OR MAY CONTAIN VOLATILE OR AIRBORNE COMBUSTIBLES, OR PRODUCTS SUCH AS GASOLINE, SOLVENTS, PAINT THINNER, DUST PARTICLES OR UNKNOWN CHEMICALS.**

**Scheu Products Company, Incorporated  
Mail: P.O. Box 250, Upland, CA 91785  
Plant: 8855 Baker Ave., Rancho Cucamonga, CA 91730  
Telephone: 800-325-7057  
www.scheuco.com  
customerservice@scheuco.com**



ANSI Z83.7/CGA 2.14-2000

7290M  
September 2002

# Model 100R-NG

## OPERATING PRECAUTIONS

This is a natural gas, direct-fired, radiant heater. It's intended use is primarily temporary heating of buildings under construction, alteration or repair.

**When the heater is to be operated in the presence of other people the user is responsible for properly acquainting those present with the safety precautions and instructions, and of the hazards involved.**

## SAFETY PRECAUTIONS

1. Check the heater thoroughly for damage. DO NOT operate a damaged heater.
2. DO NOT modify the heater or operate a heater which has been modified from its original condition.
3. Use only natural gas.
4. Provide at least 5" W.C. but not over 1/2 psig to the heater inlet (regulator inlet).
5. Use an appropriate hose or flexible connector not over 10 ft. (3.05m) in length.
6. **Operate the heater only with the 4" W.C. regulator provided by the factory.**
7. For indoor use only. Area must be well ventilated. **(Figure 1).**
8. If at any time gas odor is detected, IMMEDIATELY DISCONTINUE operation until the source of gas has been located and corrected. (See Odor Fade Warnings on page 4.)
9. Install the heater such that it is not directly exposed to water spray, rain and/or dripping water.
10. Maintain minimum clearance from normal combustible material (like paper). **(Figure 2).** Locate 10 ft. from canvas tarpaulins or similar coverings and secure them to prevent flapping or movement due to wind action.
11. Due to the high surface and exhaust temperatures, adults and children must observe clearances to avoid burns or clothing ignition.
12. Operate only on a stable, level surface.
13. Do not move, handle or service while hot or burning.
14. Use only in accordance with local codes or, in the absence of local codes, with the Standard for the Storage and Handling of Liquefied Petroleum Gases ANSI/NFPA 58.

**Figure 1**

VENTILATION: Minimum openings required

Heater	Opening near floor	Opening near ceiling
Infrared .....	1 ft <sup>2</sup> .....	1 ft <sup>2</sup> .....
Convection (25-VC) .....	1 ft <sup>2</sup> .....	1 ft <sup>2</sup> .....
Convection (All others) .....	2 ft <sup>2</sup> .....	2 ft <sup>2</sup> .....
Radiant .....	2 ft <sup>2</sup> .....	2 ft <sup>2</sup> .....
Forced air (30K-125K BTU/HR) .....	1 ft <sup>2</sup> .....	1 ft <sup>2</sup> .....
Forced air (150-FAST, SPC-150T) .....	2 ft <sup>2</sup> .....	2 ft <sup>2</sup> .....
Forced air (3500-FACV, SPC-350) .....	3 ft <sup>2</sup> .....	3 ft <sup>2</sup> .....
Forced air (7000-FACV) .....	4 ft <sup>2</sup> .....	4 ft <sup>2</sup> .....

**Figure 2**

MINIMUM CLEARANCE: From normal combustible material

Clearance	Radiant			Forced Air	
	Infrared	Convection	Forced Air	7000-FACV	
From floor .....	0 ft .....	0 ft .....	0 ft .....	0 ft	
From outlet .....	6 ft .....	10 ft .....	10 ft .....	10 ft	
From sides .....	3 ft .....	4 ft .....	2 ft .....	3 ft	
From top .....	6 ft .....	3 ft .....	5 ft .....	5 ft	
From front .....	6 ft				
From rear .....	2 ft				

Locate 10 ft. from canvas or plastic tarpaulins or similar coverings and secure them to prevent flapping or movement due to wind action.

# Model 100R-NG

## ODOR FADE WARNING



### WARNING

#### Asphyxiation Hazard

- Do not use this heater for heating human living quarters.
- Do not use in unventilated areas.
- The flow of combustion and ventilation air must not be obstructed.
- Proper ventilation air must be provided to support the combustion air requirements of the heater being used.
- Refer to the specification section of the heater's manual, heater dataplate, or contact the *Scheu Products Company* to determine combustion air ventilation requirements of the heater.
- Lack of proper ventilation air will lead to improper combustion.
- Improper combustion can lead to carbon monoxide poisoning leading to serious injury or death. Symptom of carbon monoxide poisoning can include headaches, dizziness and difficulty in breathing.

### FUEL GAS ODOR

**LP gas and natural gas have man-made odorants added specifically for detection of fuel gas leaks.**

**If a gas leak occurs you should be able to smell the fuel gas. Since Propane (LP) is heavier than air you should smell for the gas odor low to the floor. ANY GAS ODOR IS YOUR SIGNAL TO GO INTO IMMEDIATE ACTION!**

- Do not take any action that could ignite the fuel gas. Do not operate any electrical switches. Do not pull any power supply or extension cords. Do not light matches or any other source of flame. Do not use your telephone.
- Get everyone out of the building and away from the area immediately.
- Close all propane (LP) gas tank or cylinder fuel supply valves, or the main fuel supply valve located at the meter if you use natural gas.
- Propane (LP) gas is heavier than air and may settle in low areas. When you have reason to suspect a propane leak, keep out of all low areas.
- Use your neighbor's phone and call your fuel gas supplier and your fire department. Do not re-enter the building or area.
- Stay out of the building and away from the area until declared safe by the firefighters and your fuel gas supplier.
- **FINALLY**, let the fuel gas service person and the firefighters check for escaped gas. Have them air out the building and area before you return. Properly trained service people must repair any leaks, check for further leakages, and then relight the appliance for you.

### ODOR FADING - NO ODOR DETECTED

- Some people cannot smell well. Some people cannot smell the odor of the man-made chemical added to propane (LP) or natural gas. You must determine if you can smell the odorant in these fuel gases.
- Learn to recognize the odor of propane (LP) gas and natural gas. Local propane (LP) gas dealers will be more than happy to give you a scratch and sniff pamphlet. Use it to become familiar with the fuel gas odor.
- Smoking can decrease your ability to smell. Being around an odor for a period of time can affect your sensitivity to that particular odor. Odors present in animal confinement buildings can mask fuel gas odor.
- **The odorant in propane (LP) gas and natural gas is colorless and the intensity of its odor can fade under some circumstances.**
- If there is an underground leak, the movement of gas through the soil can filter the odorant.
- Propane (LP) gas odor may differ in intensity at different levels. Since Propane (LP) gas is heavier than air, there may be more odor at lower levels.
- **Always be sensitive to the slightest gas odor.** If you continue to detect any gas odor, no matter how small, treat it as a serious leak. Immediately go into action as discussed previously.

### ATTENTION - CRITICAL POINTS TO REMEMBER!

- Propane (LP) gas has a distinctive odor. Learn to recognize these odors. (Reference Fuel Gas Odor and Odor Fading sections above.)
- Even If you are not properly trained in the service and repair of the heater, **ALWAYS** be consciously aware of the odors of propane (LP) gas and natural gas.
- If you have not been properly trained in repair and service of propane (LP) gas then do not attempt to light heater, perform service or repairs, or make any adjustments to the heater on the propane (LP) gas fuel system.
- A periodic sniff test around the heater or at the heater's joints; i.e. hose, connections, etc., is a good safety practice under any conditions. If you smell even a small amount of gas, **CONTACT YOUR FUEL GAS SUPPLIER IMMEDIATELY. DO NOT WAIT!**

# MODEL 100-RANG

## OPERATING INSTRUCTIONS

### PREPARING FOR OPERATION

1. Check the heater for possible shipping damage. If any is found, immediately notify your dealer.
2. Follow all of the "Safety Precautions".
3. Install plumbing to a low pressure (1/2 psig Maximum) source of natural gas, using a minimum 3/4" ID hose or flexible connector not over 10 feet in length.
4. Connect the hose to the heater at the 1/2" SAE flare fitting at the inlet.
5. Securely tighten all gas connections.
6. Open the gas cock and leak check all gas connections with a solution of soap and water. **DO NOT USE A FLAME.**

### START

1. Fully open the gas cock at the natural gas source.
2. Place control knob of the safety pilot valve in pilot position and depress the knob admitting gas to pilot. Push and release piezo button until the pilot lights, multiple tries may be necessary. Alternately place a lighted match near the (pilot is above the valve shield). If hose is filled with air, allow a few minutes for gas to reach the pilot.
3. When pilot lights, continue to hold the button on the safety pilot valve depressed for 30 seconds, then release.
4. If the pilot goes out, wait 5 minutes and repeat the start procedures.
5. When the pilot remains lit, turn the knob left 1/4 turn to the "ON" position and the main burner will light.

CAUTION; INADEQUATE FUEL SUPPLY or lowering burn rate can cause sooting.

### STOP

1. Securely close the gas cock at the gas source.
2. Depress the control knob of the pilot valve and turn clockwise to "OFF" position.

### RESTART AFTER SAFETY SHUTDOWN

1. Securely close gas cock at the gas source.
2. Wait 5 minutes.
3. Restart following "Start" procedures.

## SERVICING

A hazardous condition may result if a heater is used that has been modified or is not functioning properly. When the heater is working properly:

- \*The flame is contained within the heater.
- \*The flame is essentially blue with perhaps some yellow tipping.
- \*There is no strong disagreeable odor, eye burning or other physical discomfort.
- \*There is no smoke or soot internal or external to the heater.
- \*There are no unplanned or unexplained shut downs of the heater.

The parts list show the heater as it was constructed. Do not use a heater which is different from that shown. For this heater, the regulator must be set to supply 4" water column (W.C.) outlet pressure. If there is any uncertainty about the regulator setting, have checked.

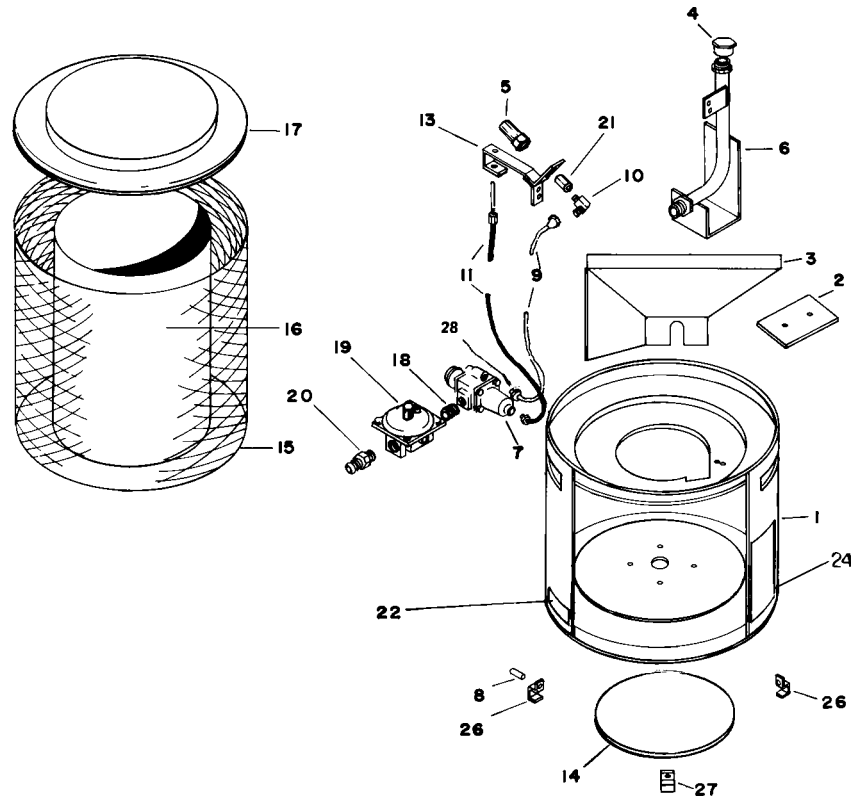
A heater which is not working right must be repaired, but only by a trained, experienced service person. To find the service center closest to you, visit our website at [www.scheuco.com](http://www.scheuco.com) or call (888) 619-7060.

You may also obtain in-warranty or out-of-warranty service by taking the product to your local service center.

In-warranty products will be repaired with no charge for either parts or labor. Please include a brief statement indicating date, place of purchase, the nature of the problem and proof of purchase.

Out-of-warranty products will be repaired with a charge for parts and labor.

# 100RNG PARTS



Item	No.	Description	Qty.	Item	No.	Description	Qty.
1	0814	Base Assembly	1	16	3101	Louvered Emitter	1
2	3095	Ballast	1	17	3102	Pan Hood	1
3	1074	Valve Shield Assembly	1	18	6500	Fitting, 1/2" x Close Nipple	1
4	6113	Orifice, #55 Drill	1	19	6259	Regulator, 4" W.C.	1
5	1510	Pilot Assembly	1	20	6125	Fitting, Male Connector	1
6	1072	Manifold Assembly	1	21	7253	Orifice Pilot	1
7	7616	Thermoelectric Valve	1	22	6384	Label, Natural Gas Only	1
8	6067	Spacer, 5/16" id x 1/2"	5	*	4222	Bracket, Piezo	1
9	1837	Pilot Tube Assembly	1	24	7291	Label, Model/Operating Instructions	1
10	6137	Fitting, Female Elbow	1	*	6473	Ignitor, Piezo	1
11	6234	Thermocouple, 16"	1	26	3106	Leg Base, Side	2
*	7290	Manual, Operating Instructions	1	27	3105	Leg Base, Front	1
13	1594	Bracket, Pilot Mounting Assembly	1	*	6505	Fitting, Male Connector	1
14	3683	Floor Shield Assembly	1	*	7161	Nut, Piezo	1
15	1098	Emitter Grill	1	*	8129	Electrode	1

# Model 100RNG

## WARRANTY

We are pleased that you have selected our product and take this opportunity to assure you that qualified service facilities are available if required. With the cooperation of independent dealers, a nationwide network of authorized servicing dealers is available for your servicing requirements.

Should your product require servicing, read the section of the manual entitled "Servicing".

Who gets the warranty? The warranty is limited to the consumer who originally purchases the product.

What is covered? This limited warranty covers all imperfections in workmanship and material.

What is not covered? This limited warranty does not cover damage resulting from accident, misuse or abuse, lack of proper maintenance, affixing of any attachments not provided with the products, or loss of parts. **IN NO EVENT SHALL SCHEU PRODUCTS COMPANY BE LIABLE FOR ANY SPECIAL, INCIDENTAL OR CONSEQUENTIAL DAMAGES NOR FOR ANY DAMAGES RESULTING FROM MISUSE OR MODIFICATION OF THIS PRODUCT.**

Registering this heater within 10 days of date of purchase ensures the buyer the protection as stated on our limited warranty form.

### LIMITED WARRANTY

The company warrants this product to be free from imperfections in material or workmanship, under normal and proper use in accordance with instructions of The Company, for a period of one year from the date of delivery to the buyer. The Company, at its option, will repair or replace (f.o.b. factory, California) products returned by the buyer to the factory, California, transportation prepaid within said one year period and found by the Company to have imperfections in material or workmanship.

If a part is damaged or missing, simply e-mail us at [php@scheuco.com](mailto:php@scheuco.com), visit our website at [scheuco.com](http://scheuco.com), or call our Technical Support Department at (888) 619-7060. Address any Warranty Claims to the Customer Service Department, Scheu Products Company, Incorporated, P.O. Box 250, Upland, California 91785, or e-mail us at [php@scheuco.com](mailto:php@scheuco.com). Include your name, address and telephone number and include details concerning the claim. Also, supply us with the purchase date and the name and address of the dealer from whom you purchased our product.

The foregoing is the full extent of the responsibility of the Company. There are no other warranties, express or implied. Specifically there is no warranty of fitness for a particular purpose and there is no warranty of merchantability. In no event shall the Company be liable for delay caused by imperfections, for consequential damages, or for any charges of the expense of any nature incurred without its written consent. The cost of repair or replacement shall be the exclusive remedy for any breach of warranty. There is no warranty against infringement of the like and no implied warranty arising from course of dealing

or usage of trade. This warranty will not apply to any product which has been repaired or altered outside of the California factory in any respect which in our judgment affects its condition or operation.

Some states do not allow the exclusion or limitation of incidental or consequential damages, so the above limitation or exclusion may not apply to you. This Warranty gives you specific legal rights, and you may have other rights which vary from state to state.

## SERVICE CENTERS

Scheu Products Company has over 1,000 service centers throughout North America. Call (888) 619-7060 or email [php@scheuco.com](mailto:php@scheuco.com) to request the service center nearest you. Include the Make and model of your heater in any emails.

## INSTRUCTIONS FOR ORDERING PARTS

We recommend that only parts supplied by the manufacturer be used on this unit. A locally purchased part may appear to be identical, although in reality it might endanger the heater or the persons operating the heater.

The heater should be serviced only by a trained, experienced service person.

Read the section on "Servicing" before ordering parts. For parts orders, call 888-619-7060 or e-mail us at [php@scheuco.com](mailto:php@scheuco.com). Please have the model number of your heater and the replacement part number when placing your order.

Hand print only. Use black or blue ink pen to fill in this form. Cross or check inside the circle.

# Warranty Registration

## Your Information

First Name Last name

Mailing Address

City State Postal code

E-mail Address

Annual house hold income before tax  <\$9,999  \$10,000 to \$19,999  \$20,000 to \$34,999  \$20,000 to \$34,999  >\$50,000

Age of Purchaser  <20 years  20-29 years  30-39 years  40-49 years  50-59 years  >60 years

Fold Here

## Your Preferences

- Who selected the heater?  Male  Female  Both
- Heater will be used by?  Individual  Business
- How did you learn about our heater?  
 Advertising  Relative/friend  
 Store display  Previously owned heater  
 Other
- What prompted you to buy your heater?  
 Sudden cold weather  Emergency backup heat  
 Replaces old model  Hard to heat location  
 Heater on sale  Other  
 Construction project
- Where will you use the heater?  
 Construction site  Warehouse  
 Shop  Patio  
 Other

In choosing your heater the following categories were:

	Somewhat Important	Important	Very Important
Features	<input type="radio"/>	<input type="radio"/>	<input type="radio"/>
Portability	<input type="radio"/>	<input type="radio"/>	<input type="radio"/>
Price	<input type="radio"/>	<input type="radio"/>	<input type="radio"/>
Quality	<input type="radio"/>	<input type="radio"/>	<input type="radio"/>
Heat Output	<input type="radio"/>	<input type="radio"/>	<input type="radio"/>
Warranty	<input type="radio"/>	<input type="radio"/>	<input type="radio"/>
Serviceability	<input type="radio"/>	<input type="radio"/>	<input type="radio"/>
Fuel economy	<input type="radio"/>	<input type="radio"/>	<input type="radio"/>
Ease of use	<input type="radio"/>	<input type="radio"/>	<input type="radio"/>
Size	<input type="radio"/>	<input type="radio"/>	<input type="radio"/>

Fold Here

## Product Information

Date of Purchase (MM/DD/YY) Cost of Heater (\$) S/N (Located on a silver label on heater) Model Number (Located on a black and white label on heater)

Brand Name  All Pro  Universal  National Riverside

## Store Information where heater was purchased

Store Name City State

Type of Store  Hardware  Home Center  Warehouse Retailer  Discount Store  Farm Supply  Contractor's Supply  Other





SCHEU PRODUCTS COMPANY, INC  
ATTN: MARKETING DEPARTMENT  
8855 BAKER AVENUE  
RANCHO CUCAMONGA, CA 91730

Visit our website for product information, technical support, customer service, and warranty registration at:  
[WWW.ALLPRO-HEATERS.COM](http://WWW.ALLPRO-HEATERS.COM) for All-Pro products or [WWW.UNVERISAL-HEATERS.COM](http://WWW.UNVERISAL-HEATERS.COM) for Universal products.

## Free Manuals Download Website

<http://myh66.com>

<http://usermanuals.us>

<http://www.somanuals.com>

<http://www.4manuals.cc>

<http://www.manual-lib.com>

<http://www.404manual.com>

<http://www.luxmanual.com>

<http://aubethermostatmanual.com>

Golf course search by state

<http://golfingnear.com>

Email search by domain

<http://emailbydomain.com>

Auto manuals search

<http://auto.somanuals.com>

TV manuals search

<http://tv.somanuals.com>