



1720 Hayden Drive  
Carrollton, TX 75006  
P: 469.892.1122  
F: 469.892.1123  
www.upgi.com

# chargers & maintainers

model # 12BC2000T-1

upg #71707

## Specifications:

3-Stage Switch Mode SLA Charger

Input Voltage:	100VAC- 120VAC
Input Current:	1.5A Max. at 90VAC
Input Frequency:	50Hz- 60Hz
Output Voltage:	
Bulk Charge:	14.4VDC +/- 0.4VDC
Float Charge:	13.6VDC +/- 0.4VDC
Output Current:	
Bulk Charge:	2A +/- 0.2A
Float Charge:	Less than 1.0A
Over-Voltage Protection:	DC 30V Max
Over-Current Protection:	DC 3.5A Max
Leakage Current:	1.0mA Max.
Efficiency:	80% @ full load
Battery Size Range:	7AH - 20AH
Dielectric Strength:	Primary to Case: DC2121 Vrms, 3.5mA, for 1 minute Primary to Secondary: DC4242 Vrms, 3.5mA for 1 minute
Insulation Resistance:	50 M $\Omega$ @ 500VDC, Input to Output
Operating Temperature:	-10 Deg. C to +40 Deg. C
Storage Temperature:	-10 Deg. C to +80 Deg. C



## LED – Dual Color:

Red Color – Charging  
Green Color – Charged (float stage)

## Protection:

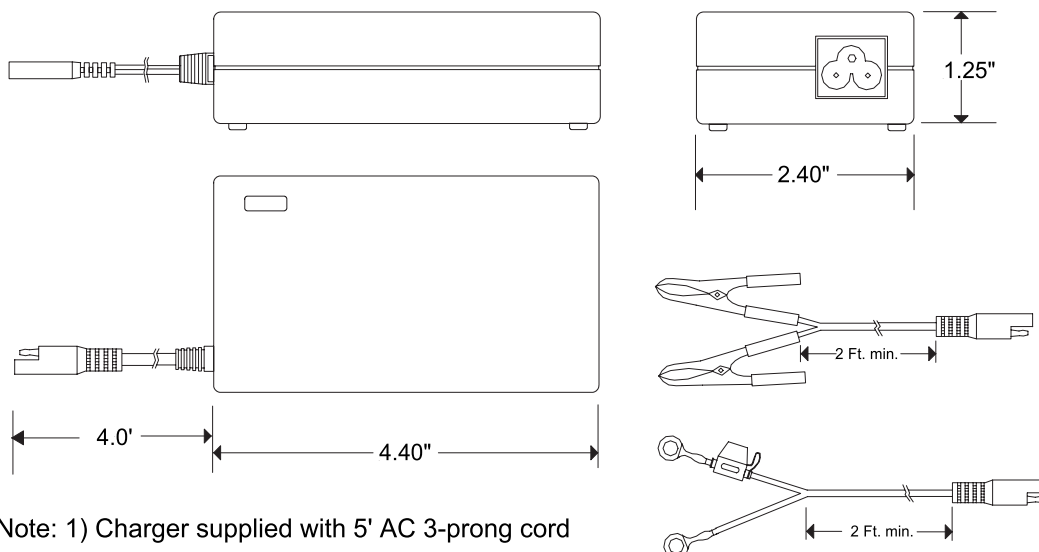
Short Circuit Protection, Over Current Protection, Over Voltage Protection, Battery Polarity Reversal

## Connector:

Supplied with intermediate connector and two sets of output connectors.

## Safety Standards:

UL1310, CUL, CE, FCC Part 15- Class B



- Note: 1) Charger supplied with 5' AC 3-prong cord  
2) Case Material - Plastic  
3) Charger supplied with two output cables.  
One with eyelet terminals with a fuse and one with clamps.

## Free Manuals Download Website

<http://myh66.com>

<http://usermanuals.us>

<http://www.somanuals.com>

<http://www.4manuals.cc>

<http://www.manual-lib.com>

<http://www.404manual.com>

<http://www.luxmanual.com>

<http://aubethermostatmanual.com>

Golf course search by state

<http://golfingnear.com>

Email search by domain

<http://emailbydomain.com>

Auto manuals search

<http://auto.somanuals.com>

TV manuals search

<http://tv.somanuals.com>