

V-2960A NTSC Color Video Camera

Introduction

The V-2960A is a NTSC Format, Color Video Camera designed for use with the Valcom Class Connection Baseband Video System. The V-2960A is wall mountable or may be mounted on a single gang electrical box.

FCC Information

This equipment has been tested and found to comply with the limits for a Class B digital device, pursuant to Part 15 of the FCC Rules. These limits are designed to provide reasonable protection against harmful interference when the equipment is operated in a commercial environment. This equipment generates, uses and can radiate radio frequency energy and if not installed and used in accordance with the instruction manual, may cause harmful interference to radio communications. Operation of this equipment in a residential area may cause harmful interference requiring the user to incur expense to correct the interference.

Specifications

Features

- Manually adjustable focus, pan and tilt
- Output matched for use with twisted pair cable
- Centrally powered from headend equipment; No remote power supply required
- Connections made via an RJ-45 jack

Dimensions/Weight

Camera mounted in bell box with faceplate:

- 4.63" H x 2.80" W x 2.00" D
(11.76cm H x 7.11cm W x 5.08cm D)
- 1 lb. (.45 kg.)

Nominal Specifications

Power requirements:	24VDC, 40mA
Output Impedance:	100 Ohms
Video format:	NTSC
Focal length:	4.6mm
Max Aperture:	f2.8



Environment:

Temperature:	0 to + 40°C
Humidity:	0 to 80% non-precipitating

For indoor use only.

Installation

All necessary connections are made via the RJ-45 connector on the camera. Cable pin outs from the top of the plug:

W/O	N/C
O/W	N/C
W/G	Ground
BL/W	+24VDC
W/BL	+24VDC
G/W	Ground
W/B	Video +
B/W	Video -

Mounting

Install the V-2960A per figure 1. Bend the mounting bracket to adjust pan and tilt as required. Insert a small screwdriver into the slots on the lens assembly of the camera and turn the lens to adjust the focus if necessary. The V-2960A enclosure features top and bottom knockouts to accommodate cable routing.

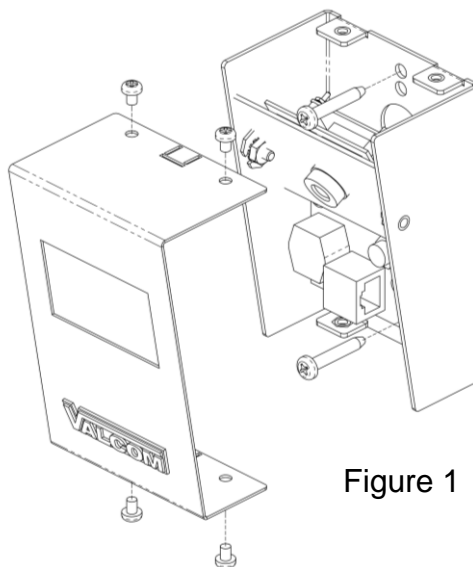


Figure 1

TECHNICAL ASSISTANCE

When trouble is reported, verify that power is being supplied to the unit and there are no broken connections. Check voltages for proper polarity on the cross connect block.

When calling have a VOM, a telephone test set and call from the job site. Call (540) 563-2000 and press 1 for Technical Support or visit our website at <http://www.valcom.com>.

Valcom equipment is not field repairable. Valcom, Inc. maintains service facilities in Roanoke, VA. Should repairs be necessary, attach a tag to the unit clearly stating company name, address, phone number, contact person and the nature of the problem. Send the unit to:

Valcom, Inc.
Repair and Return Dept.
5614 Hollins Road
Roanoke, VA 24019-5056

VALCOM LIMITED WARRANTY

Valcom, Inc. warrants its products to be free from defects in materials and workmanship under conditions of normal use and service for a period of two years from the date of shipment. The obligation under this warranty shall be limited to the replacement, repair or refund of any such defective device within the warranty period, provided that:

1. inspection by Valcom, Inc. indicates the validity of the claim;
2. the defect is not the result of damage, misuse or negligence after the original shipment;
3. the product has not been altered in any way or repaired by others and that factory sealed units are unopened (a service charge plus parts and labor will be applied to units defaced or physically damaged);
4. freight charges for the return of products to Valcom are prepaid;
5. all units 'out of warranty' are subject to a service charge. The service charge will cover minor repairs (major repairs will be subject to additional charges for parts and labor).

This warranty is in lieu of and excludes all other warranties, expressed or implied and in no event shall Valcom, Inc. be liable for any anticipated profits, consequential damage, loss of time or other losses incurred by the buyer in connection with the purchase, operation or use of the product.

This warranty specifically excludes damage incurred in shipment. In the event a product is received in damaged condition, the carrier should be notified immediately. Claims for such damage should be filed with the carrier involved in accordance with the F.O.B. point.

Headquarters:
 Valcom, Inc.
 5614 Hollins Road
 Roanoke, VA 24019-5056
 Phone: (540) 563-2000
 FAX: (540) 362-9800

In Canada:
 CMX Corporation
 35 Van Kirk Drive #11 and 12
 Brampton, Ontario L7A 1A5
 Phone: (905) 456-1072
 FAX: (905) 456-2269

Free Manuals Download Website

<http://myh66.com>

<http://usermanuals.us>

<http://www.somanuals.com>

<http://www.4manuals.cc>

<http://www.manual-lib.com>

<http://www.404manual.com>

<http://www.luxmanual.com>

<http://aubethermostatmanual.com>

Golf course search by state

<http://golfingnear.com>

Email search by domain

<http://emailbydomain.com>

Auto manuals search

<http://auto.somanuals.com>

TV manuals search

<http://tv.somanuals.com>