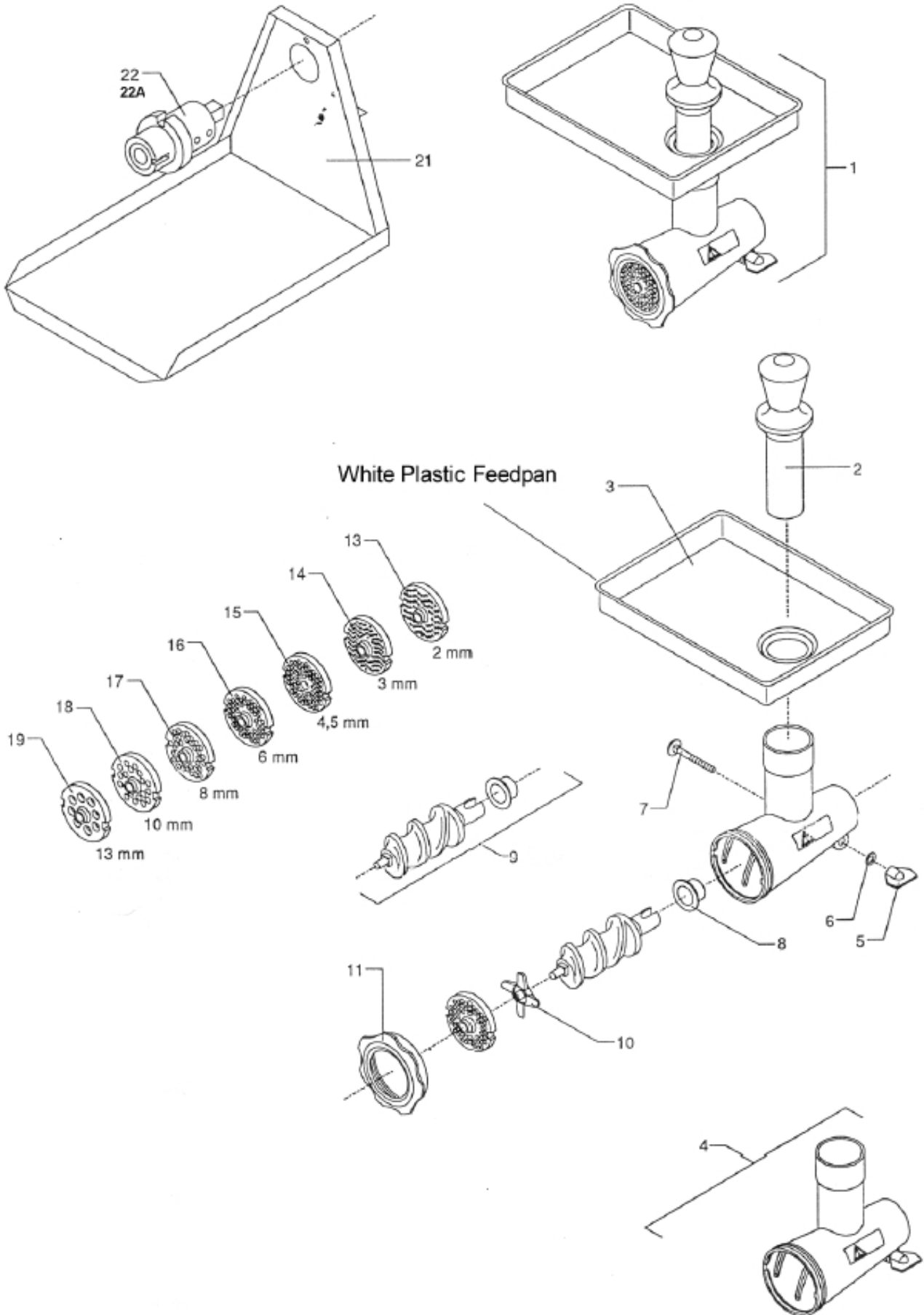




## Meat Grinder Models 305 / 305N

# 70 MM Meatgrinder (Light Duty)



## 70MM Meatgrinder (Light Duty)

Fig. No.	Description	Order Number
1	70 MM Meat Grinder	305 or 305N
2	Plunger	5R351
3	70 MM Meat Tray	5R250
4	Housing	5R1
5	Wingnut	5R541
6	Washer	STA 6020
7	Coach Bolt	5R542
8	Bushing	5R540
9	Feedscrew	5R003M
10	Knife	305/Knife
11	Ring	5R002
13	Disc 2MM	305/2
14	Disc 3MM	305/3
15	Disc 5MM	305/5
16	Disc 6MM	305/6
17	Disc 8MM	305/8
18	Disc 10MM	305/10
19	Disc 13MM	305/13
21	Receiving Tray	330 or 330N
22	Adaptor #17 Hub	4R1M
22A	Adaptor #12 Hub	4R2M

## Free Manuals Download Website

<http://myh66.com>

<http://usermanuals.us>

<http://www.somanuals.com>

<http://www.4manuals.cc>

<http://www.manual-lib.com>

<http://www.404manual.com>

<http://www.luxmanual.com>

<http://aubethermostatmanual.com>

Golf course search by state

<http://golfingnear.com>

Email search by domain

<http://emailbydomain.com>

Auto manuals search

<http://auto.somanuals.com>

TV manuals search

<http://tv.somanuals.com>