



1993 to Present

**SPARE PART AND OPERATION MANUAL
FOOD MIXER
Model W20, A, J, F**

Caution -READ BEFORE OPERATING- Caution

Varimixer recommends that mixer operators be at least 18 years of age and be thoroughly trained on the use of the mixer.

Varimixer recommends that the following precautions be adopted to help make the mixer operation safer and more efficient.

- All operators should be at least 18 years of age.
- All operators should be thoroughly trained before being allowed to operate the mixer.
- NEVER reach into the bowl when the mixer is running.
- Do not wear loose clothing or rings while operating the mixer.
- Stop the mixer and lower the bowl before adding ingredients, scraping the bowl, removing the agitator, or removing the product.
- Stop the mixer before removing or installing attachments into the drive hub.
- Do not attempt to assemble or disassemble attachments while mounted into the drive hub.
- Always use the pusher plate with the slicer/meat grinder attachments.
- NEVER bypass the safety mechanisms supplied on the mixer. Doing so can cause injury and is the responsibility of the user to insure these safety mechanisms are operating properly.

Cookie, Dough	14 Lbs.
Muffins	24 Lbs.
Mashed Potatoes	17 Lbs.
Pancakes, Waffles	9 Qts.
Whipped Cream	4 Qts.
Cake, Layer	23 Lbs.
Eggs & Sugar	9 Lbs.
Icing , Fondant	14 Lbs.
Egg Whites	1 Qt.
Cake, Cup	25 dz.
Cookies, Sugar	40 dz.



LIMITED WARRANTY

EXCLUSIONS

Varimixer warrants its commercial mixers to the original purchaser against defects in material or manufacture for a period of one year from the date of original purchase, subject to the following exclusions and limitations. The warranties provided by Varimixer do not apply in the following instances:

1. In the event that the equipment is improperly installed. Proper installation is the responsibility of the installer, proper installation procedures are covered in the Varimixer Spare Parts and Operations Manual.
2. In the event that the equipment is improperly maintained. Proper maintenance is the responsibility of the user. Proper maintenance procedures are covered in the Varimixer Spare Parts and Operations Manual.
3. In the event that failure or malfunction of the appliance or any part thereof is caused by abnormal use or is otherwise not attributable to a defect in material or manufacture.
4. In the event that the appliance, by whatever cause, has been materially altered from the condition in which it left the factory.
5. In the event that the rating plate has been altered or removed.
6. On parts which would normally be worn or replaced under normal conditions.
7. With regard to adjustments and/or calibrations. Checking of and changes in adjustments and calibrations are the responsibility of the installer, Proper installation is the responsibility of the installer, proper installation procedures are covered in the Varimixer Spare Parts and Operations Manual.

If any oral statements have been made regarding the appliance, such statements do not constitute warranties and are not part of the contract of sale. This Limited Warranty constitutes the complete, final and exclusive statement with regard to warranties.

THIS LIMITED WARRANTY IS EXCLUSIVE AND IS IN LIEU OF ALL OTHER WARRANTIES WHETHER WRITTEN, ORAL OR IMPLIED, INCLUDING, BUT NOT LIMITED TO, ANY WARRANTY OF MERCHANTABILITY OR FITNESS FOR PARTICULAR PURPOSE OR WARRANTY AGAINST LATENT DEFECTS.

LIMITATIONS OF LIABILITY

In the event of warranty claim or otherwise, the sole obligation of Varimixer shall be the repair and/or replacement at the option of Varimixer, of the appliance or component or part thereof. Such repair or replacement shall be the expense of Varimixer *except* that travel over 100 miles or two hours, overtime, and holiday charges shall be, the expense of the purchaser. Any repair or replacement under this warranty does not constitute an extension of the origin, warranty for any period for the appliance or for any component part thereof. Parts to be replaced under this warranty will be repaired or replaced at the option of Varimixer with new or functionally operative parts. The liability of Varimixer on any claim of any kind, including claims based on warranty, expressed or implied, contract, negligence, strict liability or any other theories shall be solely and exclusively the repair or replacement of the product as stated herein, an such liability shall not include, and purchaser specifically renounces any rights to recover, special, incidental, consequential or other damages of any kind whatsoever, including, but not limited to, injuries to persons or damage to property, loss of profits or anticipated profits, or loss of use of the product.

TO SECURE WARRANTY SERVICE

If you claim a defect covered by this Limited Warranty, first direct your claim to the local Authorized Service Agency, giving model, serial and code numbers, voltage, a description of the problem and your sales slip. If this procedure fails to be satisfactory to you, you may write to the Varimixer National Service Manager, 5489 Campus Dr, Shreveport, Louisiana 71129; you should include the information listed above.

INSTALLATION — CLEANING — MAINTENANCE

INSTALLATION:

The mixer can be placed directly on the floor. Foundation bolts in the floor are necessary only under special conditions, e.g. in ships. If the 20-quart mixer is placed on a bench stand, it **must** be fastened with the enclosed bolts (see page 2). If the floor is not level, the position of the mixer can be corrected by loosening the screws (18) located at the bottom of the outer left side of the mixer, then the legs can be turned (see page 6). When the mixer is leveled, the screws should be tightened.

Ensure that the voltage, phase and hertz printed on the identification plate of the mixer are the same as that at the place of installation. The identification plate is located at the top of the right side of the mixer. Be sure the mixer is properly connected to the incoming power supply and the ground or earth connection is made. The arrow on the front of the planetary head (see drawing 2, page 1), indicates the direction of rotation of the planetary head. On three-phase motors the direction of rotation can be changed by interchanging two phases of the connecting cable or the motor. Electrical connections must be made in accordance with local regulations.

DOUGH HOOK CLEANING:

Special care should be given to cleaning the dough hook. The Varimixer dough hook is manufactured of stainless steel and we recommend that it be cleaned and sanitized in a commercial dish machine. An alternate cleaning procedure is to vigorously scrub the dough hook with a hot water and detergent solution. Use a heavy bristled brush. After cleaning, sanitize the dough hook by rinsing with a 50 ppm solution of sodium hypochlorite.

CLEANING:

The mixer should be cleaned daily or after use. Wash with a soft brush and pure water. Synthetic detergents should be used with care as they destroy the lubricants of the mixer. Washing with a hose is **not** recommended. Bowls and mixing tools should be washed in detergents which do not attack aluminum. Detergent suppliers will be able to recommend the right type.

LUBRICATION AND MAINTENANCE:

When the mixer is used regularly, the varispeed system must be lubricated approximately once each year. When the mixer is extensively used, or used often without changes in speed, lubrication intervals should be shorter.

DIRECTIONS FOR LUBRICATION:

Start the mixer and increase the speed to approximately 50%. Stop the mixer and remove the top cover by removing the two screws (2), see page 2-3.

A grease nipple is located at the top of each of the pulley sets. Press the grease through the grease nipples until the grease gun feels hard, or until grease is pressed out between the shaft and the pulleys.

Replace the top cover and **remember to replace the two screws securing the cover.**

The lid must be mounted before starting the mixer.

Start the mixer and set the speed back to low.

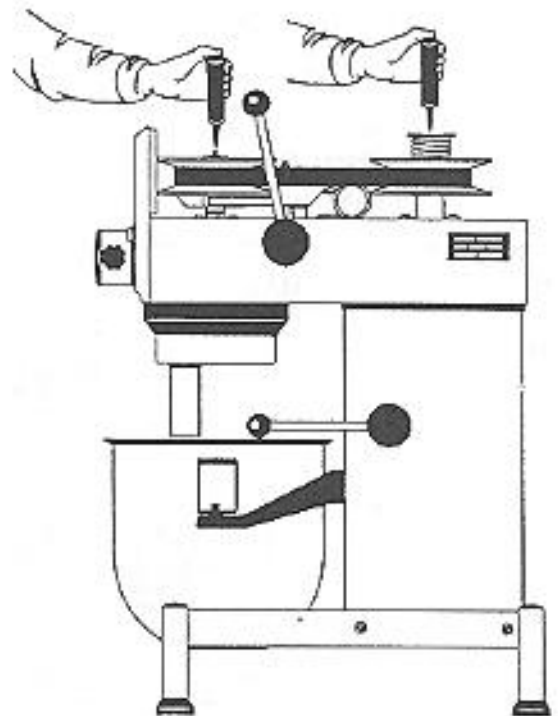
Stop the mixer and fill the grease gun with new grease to be prepared for the next lubrication.

TYPES OF GREASE:

Grease for the shafts of the pulley sets: **Lubriplate 1200-2**, or another ball bearing grease: **NLGI 1** or **NLGI 2**.

When repairing the planetary head (which is greased for life) the grease Lubriplate Gear Shield Heavy should be used in the gear wheel, gear wheel rim. The needle bearings of the planetary head must **not** be greased with this type grease.

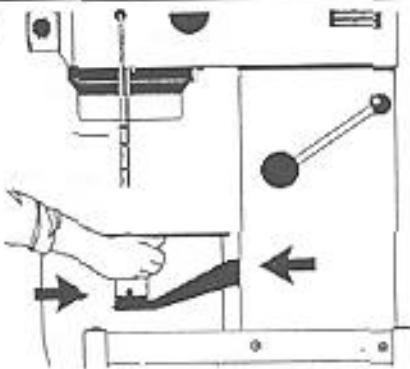
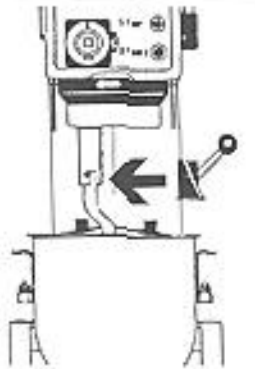



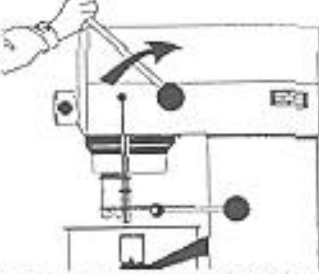
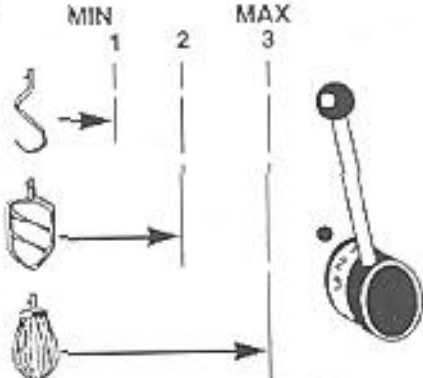
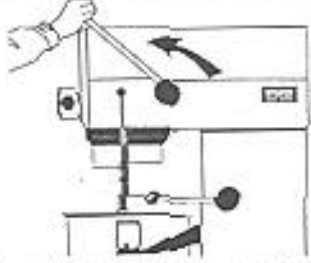

Use only this type grease and do not mix with other types of grease.



VARIMIXER OPERATING INSTRUCTIONS

W20A
MACHINE NO.: _____

MK-1

<p>1</p>  <p>Place the bowl in the bowl arms. Be sure that the bowl is placed correctly and the Bowl Clamps are used.</p>	<p>2</p>  <p>Place the mixing tool in the bayonet shaft. The pin of the tool must be turned into the bayonet hole.</p>	<p>3</p>  <p>Raise the bowl to working position by pulling the handle forward. Ensure that the bowl is placed correctly while the bowl is lifted.</p>
<p>4</p>  <p>If the mixer is equipped with a timer, set the time required by turning the timer to the right. The mixer will stop automatically when the time runs out. Set the timer on HOLD when not in use; otherwise the mixer will not start.</p>	<p>5</p>  <p>Start the mixer by pressing the green start button. <START></p> <p>The mixer must be started only when the bowl is in working position, and the safety guard, if mounted, is closed.</p>	<p>6</p>  <p>Push the speed selector lever to obtain the required speed.</p> <p>The speed must be changed only when the mixer is running.</p>
<p>7</p>  <p>Recommended maximum speeds.</p>	<p>8</p>  <p>Before the mixer is stopped, the speed selector lever should be moved to the lowest speed.</p> <p>The mixer must not be started when loaded in high speed position.</p>	<p>9</p>  <p>Stop the mixer by pressing the red stop button <STOP></p>

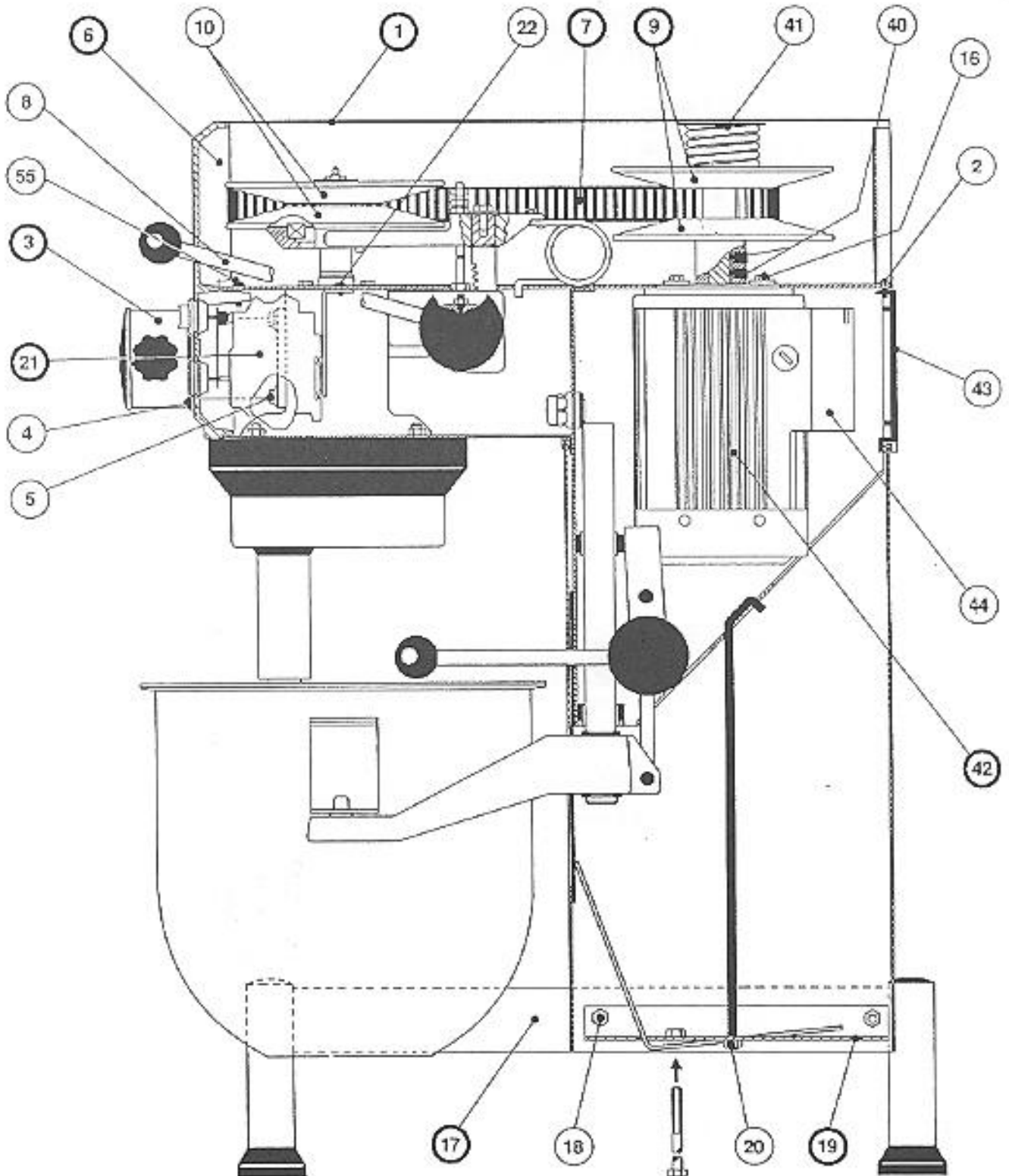
OVERLOADING: Do not overload the mixer. Tough and heavy doughs might reduce the working capacity of the mixer by 75%. The capacity will be further reduced if the speed of the tool is increased beyond what is recommended, or if a wrong tool is used. Big lumps of grease or cooled ingredients must be divided into fine particles before being placed into the bowl. A long period of overloading will cause the thermal overload relay to stop the mixer. Let the mixer rest for approximately three minutes and press the RED STOP button BEFORE pressing the GREEN START button.

If the mixer is stopped in high speed when loaded, the bowl is to be removed from the mixer and the speed set to low speed before the bowl is placed in the mixer again.

WARNING: Bodily harm could result from placing hands into the bowl while the mixer is running.

SERVICE INSTRUCTIONS

BEFORE REPAIR, THE MIXER MUST BE DISCONNECTED.



Bolt for fastening.

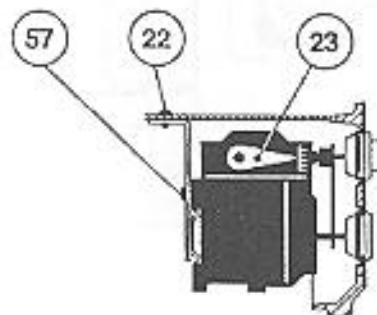
- (1) Remove the **top cover** of the mixer (1) and the plastic cover (43) by removing the 2 screws (2).
- (3) The **attachment engagement hub** is taken out by removing the plastic cover (4) and the 4 bolts (5).
- (6) The **control box** is taken off by removing the 2 screws (55).
- (7) The **special V-belt** is replaced in the following way:
 - a) Remove the top cover of the mixer (1) and the plastic cover (43).
 - b) Press the speed selector lever (8) back toward the back of the mixer so that the special V-belt is loosened, and take off the special V-belt.
 - c) The special V-belt is mounted by first placing it on the rear pulley set (9) (the motor pulley set) and opening the pulleys by pulling the special V-belt.
 - d) Turn the speed selector lever (8) back toward the back of the mixer (high speed) and mount the special V-belt on the front pulley set (10).
 - e) Adjust the speed (see page 5).
- (9) The **motor pulley set** is taken off in the following way:
 - a) Remove the top cover of the mixer (1), the plastic cover (43) and the special V-belt (7).
 - b) The motor pulley set can now be taken off by loosening the 2 screws (40).

The upper half of the pulley set can be taken off by removing the circlip (41).

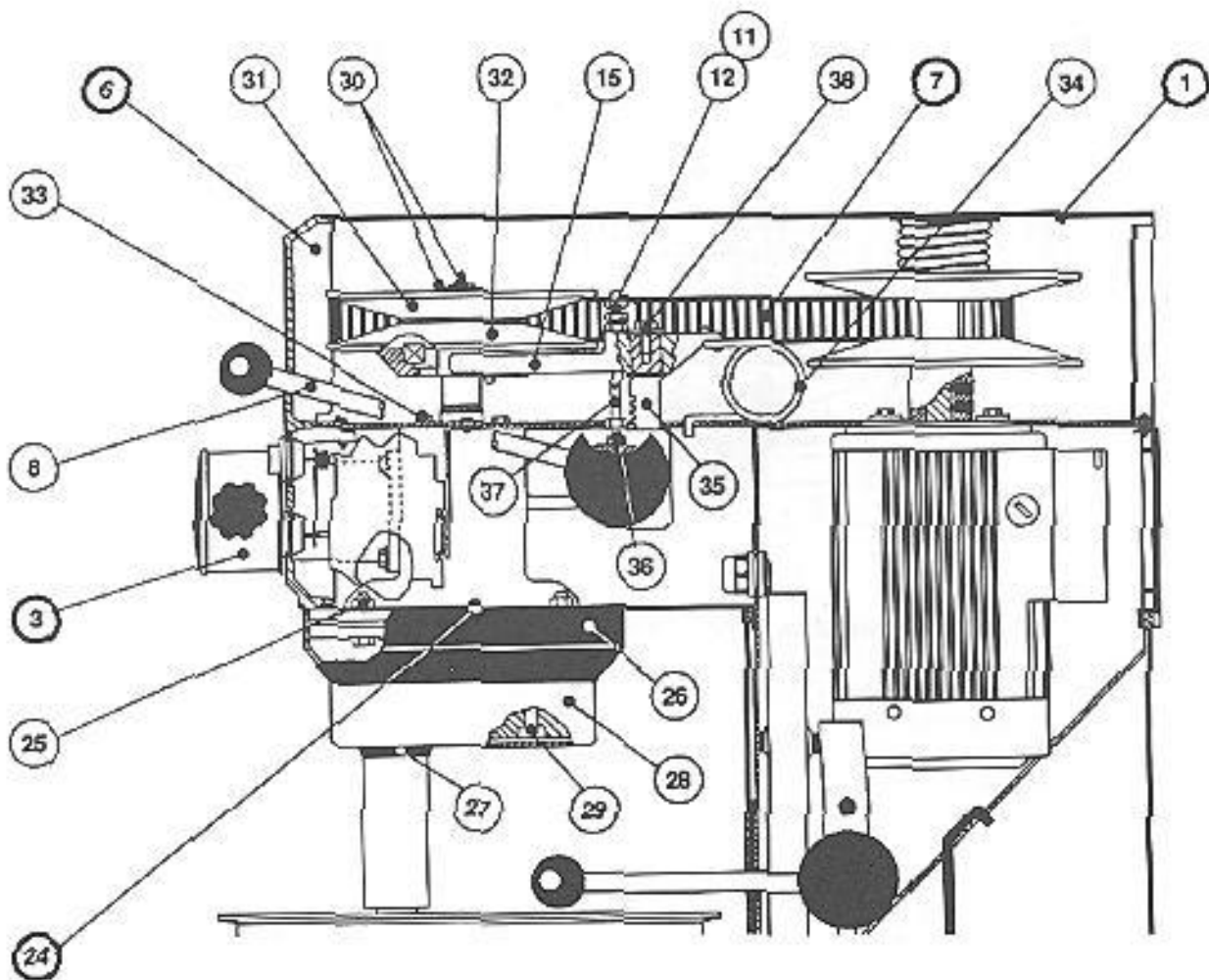
- (21) **Relay and thermal overload relay** are taken out in the following way:
 - a) Remove the top cover of the mixer (1), the plastic cover (43), the special V-belt (7), and the control box (6).
 - b) Loosen the screws (22).
 - c) If the relay is to be replaced, the screw (57) is removed.

Before relay and thermal overload relay are taken out, the mixer must (for safety reasons) be disconnected on the main switch or the connecting cable disconnected.

The indicator (23) on the side of the thermal overload relay is adjusted to the rated current of the motor +10%.

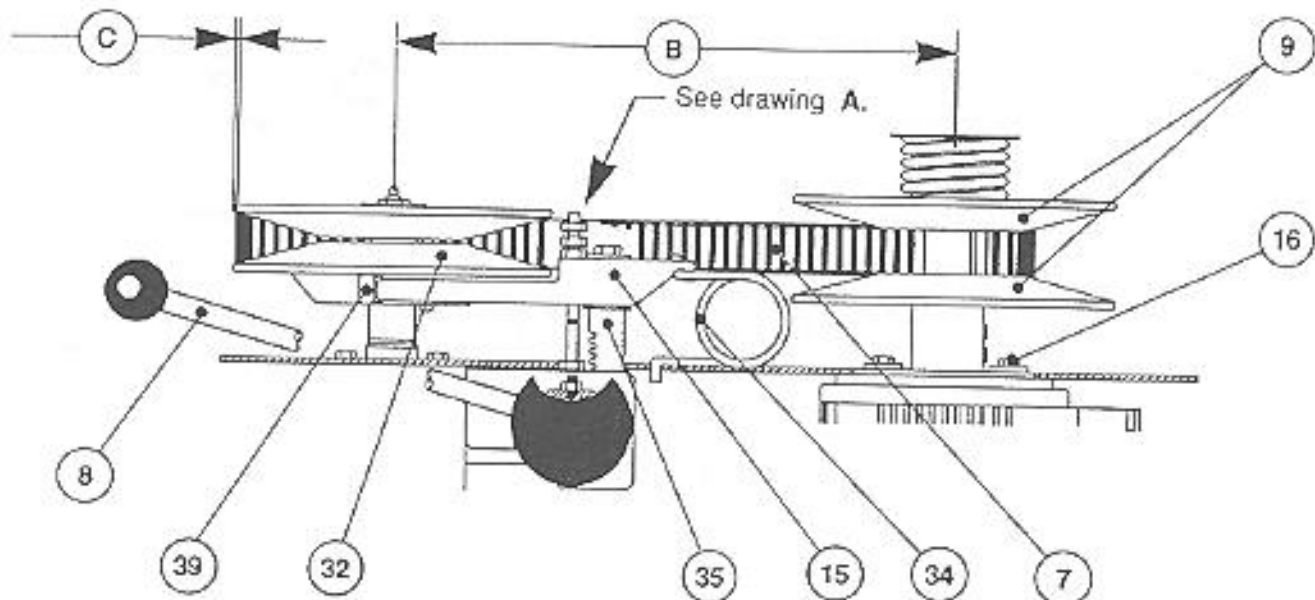


- (42) The **motor** is removed in the following way:
 - a) Switch off the voltage to the mixer or disconnect the connecting cable.
 - b) Remove the top cover of the mixer (1), the plastic cover (43), the special V-belt (7), and the motor pulley set (9).
 - c) Remove the motor cable from the connecting box (44) of the motor.
 - d) Place the mixer on its back.
 - e) Remove the legs of the mixer (17) and the bottom plate (19).
 - f) The motor can be pulled out backwards by removing the 4 bolts (16).



(24) The planetary head is removed in the following way:

- a) The top cover of the mixer (1), the attachment engagement hub (3), the special V-belt (7), and the control box (5) are removed.
- b) The plastic ring (26) can be removed by knocking it gently on the front edge, then pressing a screwdriver between the plastic ring and the metal plate at the top of the plastic ring.
- c) Remove the rubber ring (27).
- d) The stainless headcap (28) can now be removed by knocking it gently on the front edge with a plastic hammer, turning the planetary head 180°, and again knocking gently on the front edge.
- e) If only the lower part of the planetary head is to be repaired, the planetary head can be separated by removing the 3 bolts (29).
- f) Remove the grease nipple and washer (30), and pull off the upper half of the pulley set (31) with an extractor.
- g) Take off the movable part (32) of the pulley set.
- h) Take off the 4 screws (33).
- i) The spring (34) is removed in the following way: The nuts (11) and (12) are removed. The lower fork (15), the toothed rack (35) and the spring (34) will come up also when the nut (12) is removed. If the toothed rack (35) is to be replaced, this can be done when the lower fork (15) is free. Remove the bolt (38) and the toothed rack can be replaced.
- j) When the counter nut and the pointed screw (36) are removed, the speed selector lever (8) can be removed.
- k) Remove the pin bolt (37) by loosening the counter nut.
- l) By loosening and removing the 4 bolts (25), the planetary head can be lowered.

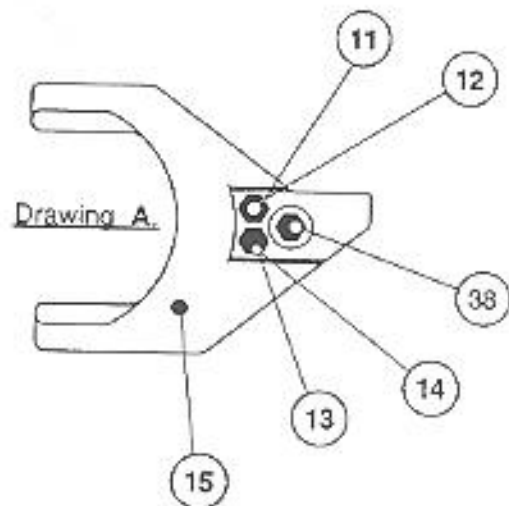


Mounting of the planetary head should be done in reverse order.

When the lower fork (15) and the spring (34) are mounted, the speed selector lever (8) is turned counter clockwise, so that it points horizontally backward, at the same time as the lower fork is pressed down gently. When the speed selector lever (8) is turned clockwise, it will catch the toothed rack (35) and pull down the lower fork. Screw on the nuts (11) and (12).

Be aware that the pin (39) on the lower part (32) of the pulley set is to be placed as shown in the drawing above.

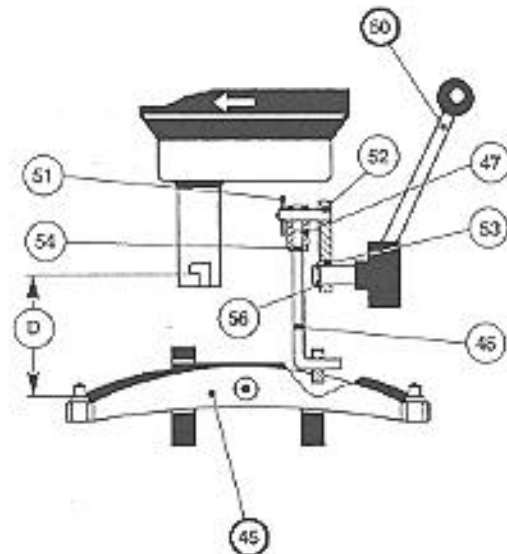
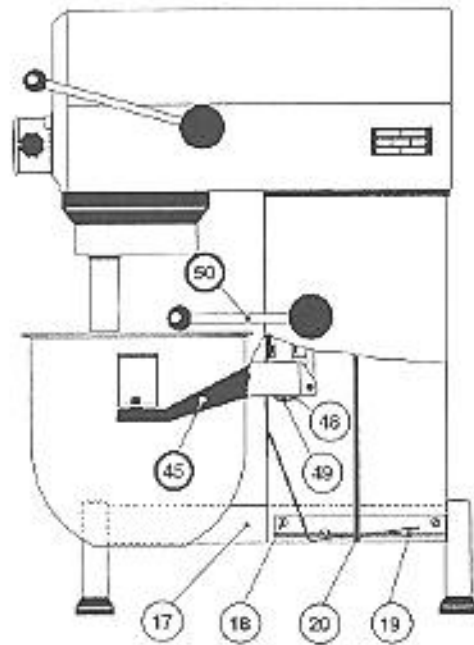
When all parts have been mounted, the speed must be adjusted.



ADJUSTMENT OF SPEED:

- a) Adjust the distance (B) 12.6", by loosening the 4 bolts (16) and moving the motor back and forth. The tolerance of the distance (B) can be used in cases where there are problems in adjusting the speed correctly, as the distance (B) is dependent on the tolerance of the special V-belt.
- b) Loosen the lock nut (11) and the adjusting nut (12).
- c) Start the mixer and adjust the lowest speed so that the special V-belt (7) is approximately 1/16 to 1/8" (C) from the pulley edge.
- d) Stop the mixer and tighten the adjusting nut (12) loosely and then the lock nut (11).
- e) Loosen the lock nut (13) and the adjusting screw (14).
- f) Start the mixer and adjust the highest speed so that the special V-belt (7) is approximately 1/16 to 1/8" (C) from the pulley edge of the motor pulley set (9).
- g) Stop the mixer and tighten the adjusting screw (14) loosely and then the lock nut (13).
- h) Start the mixer and control the measure (C) on both pulley sets at high and low speed, respectively.
- i) Be aware that the pin (39) on the lower part (32) of the pulley set is to be placed as shown on the drawing above.

Tolerances in the transmission can cause the special V-belt (7) to hit the pins of the pulley sets when the speed has been adjusted. In these cases, the distance (B) is to be reduced and the speed readjusted.



(45) **Bowl arms** are to be replaced in the following way:

- a) Disconnect the mixer on the main switch or disconnect the connecting cable.
- b) Lower the bowl arms.
- c) Place the mixer on its back and remove the legs of the mixer (17) by removing the screws (18).
- d) The bottom plate (19) is removed by removing the nuts (20).
- e) Remove the cotter pin (51), securing the lifting bolt (46) and the lifting nut (47).
- f) Remove the lifting bolt (46) and the lifting nut (47).
- g) Remove the 2 circlips (48) from the 2 bowl arm guide rods (49); then the bowl arm guide rods (49) can be knocked back so that the bowl arms are free and can be removed.

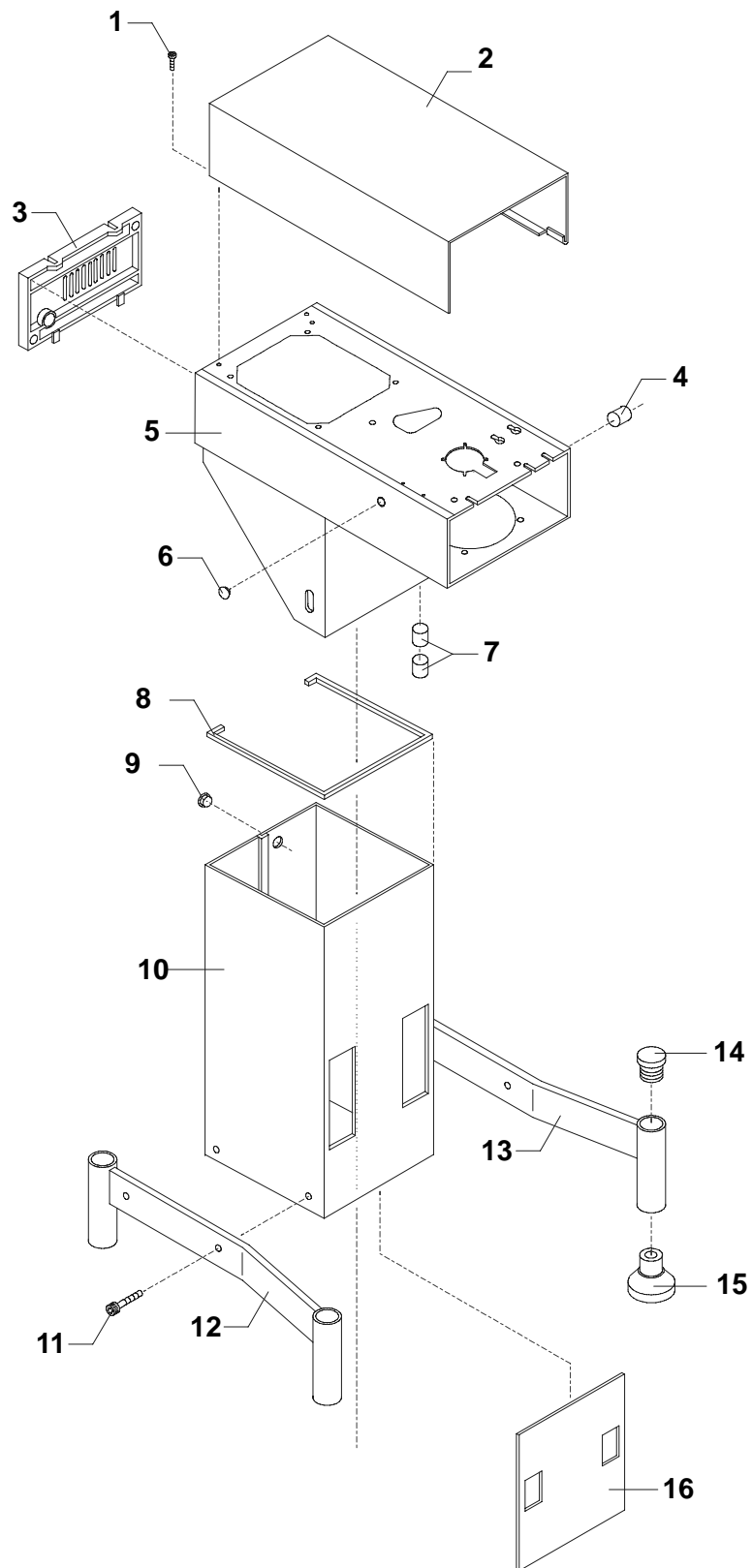
(50) The **lifting lever** is replaced in the following way:

- a) Begin as described above from a) to f) inclusive.
- g) Remove the crank shaft (52) by removing the circlip (56).
- h) Ensure that the key (53) has also been removed.
- i) Remove the lifting lever (50).

ADJUSTMENT OF BOWL HEIGHT:

- a) Lower the bowl arms.
- b) Loosen the counter nut (54) and remove the cotter pin (51).
- c) Remove the lifting bolt (46) and the lifting nut (47).
- d) Adjust the bowl height by turning the lifting nut (47) either out or in, on the lifting bolt (46).
- e) Mount the lifting bolt with the lifting nut and the cotter pin, and tighten the counter nut (54).
- f) Ensure that the measure (D) 5" is correct when the bowl is raised to normal working position, and repeat the procedure if the measure is not correct.
- g) Ensure that all mixing tools are fitting in the bowl.

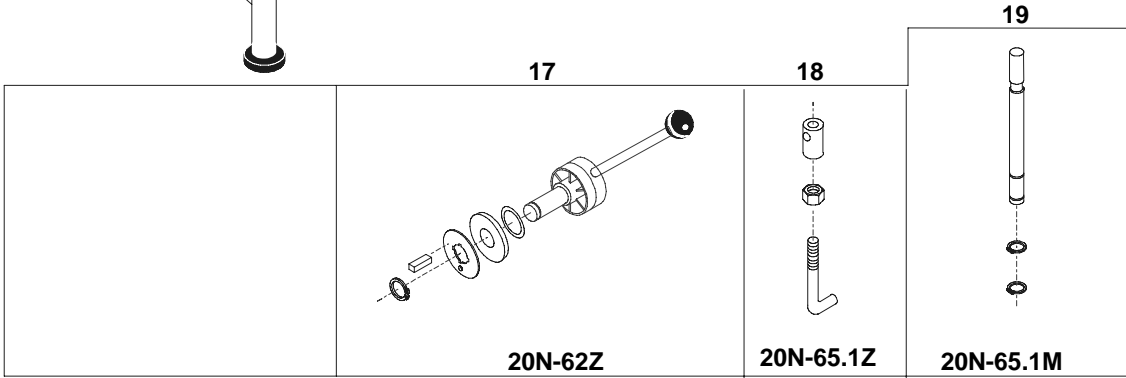
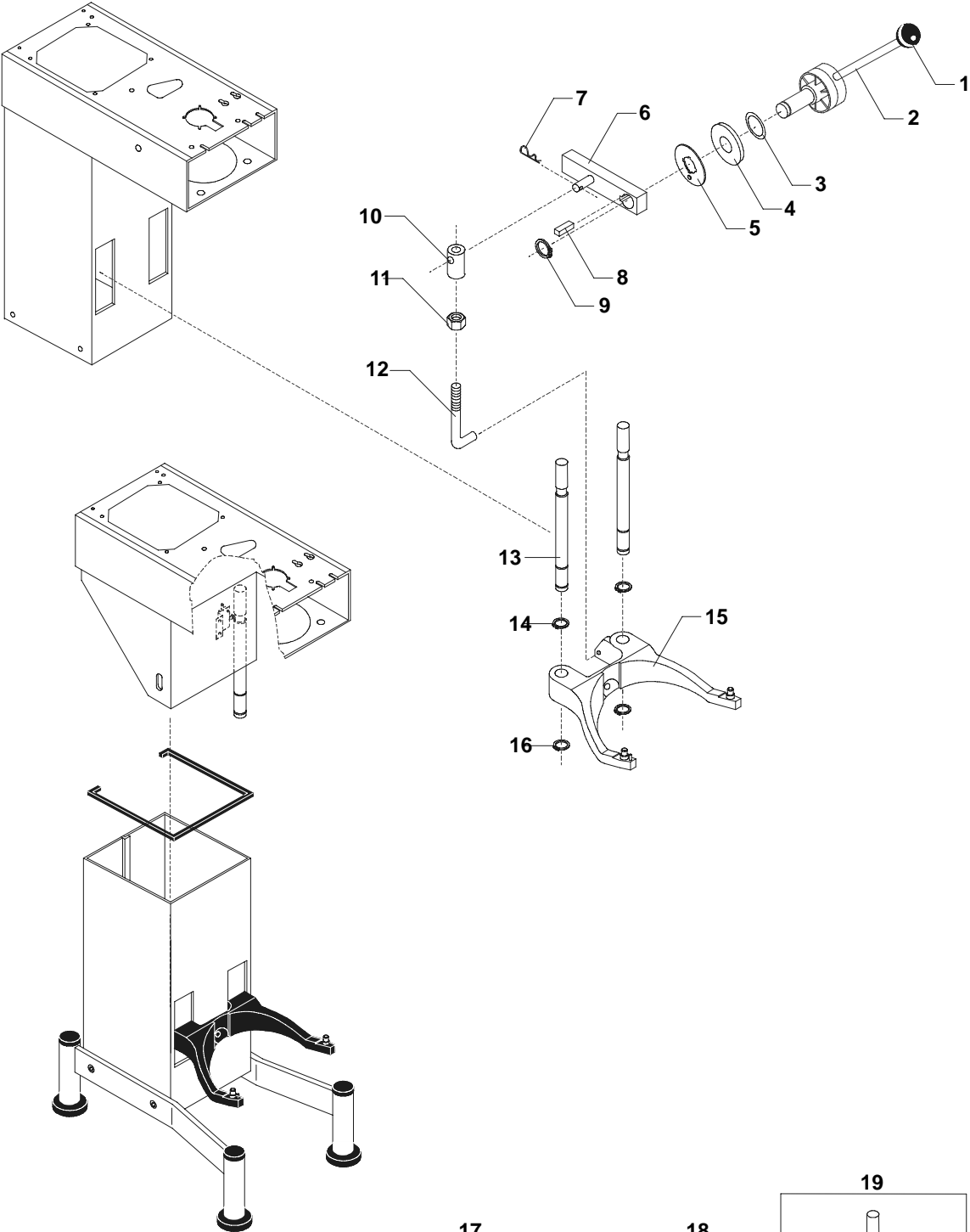
Body



Body

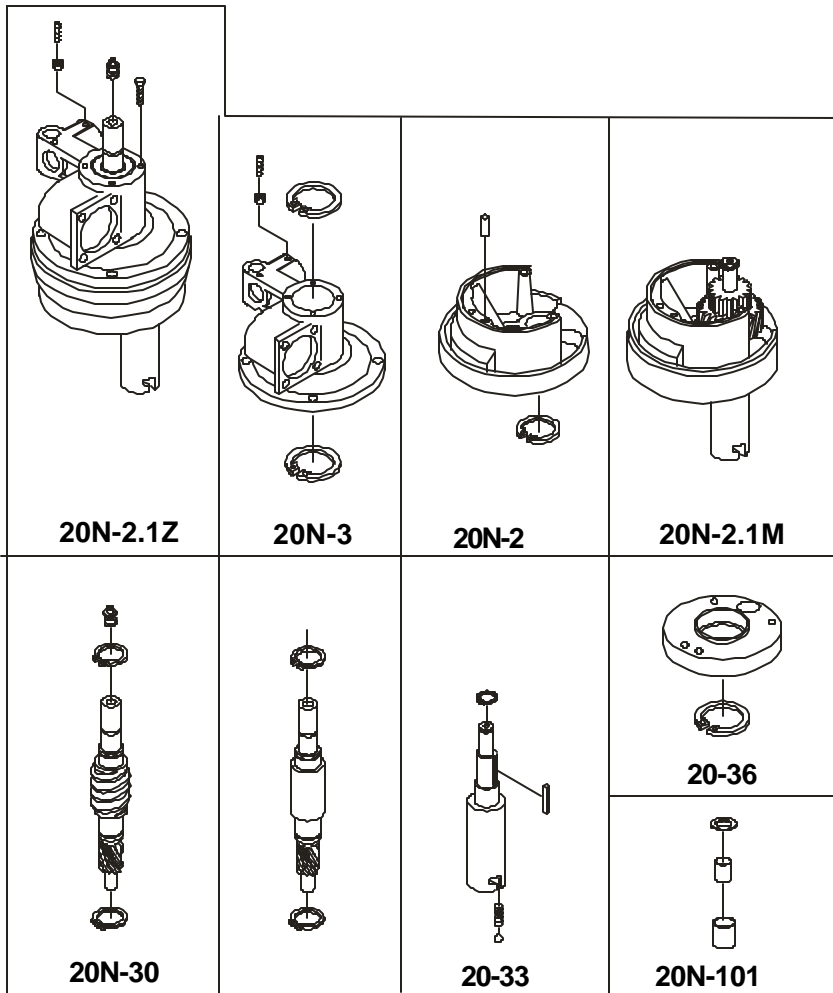
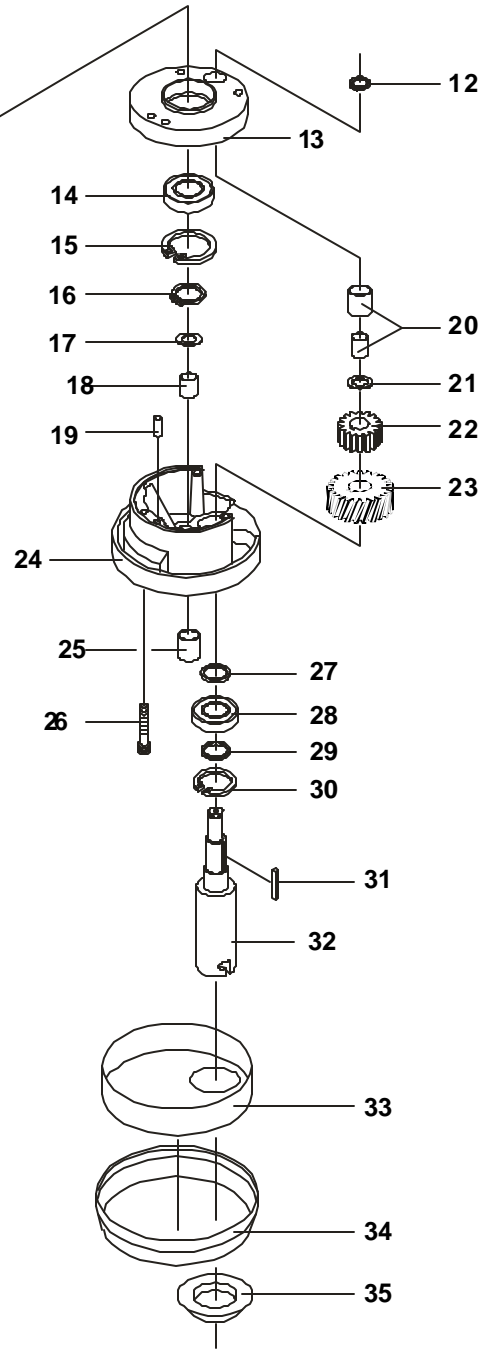
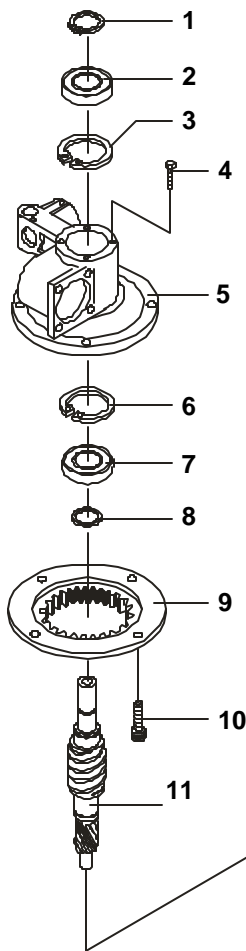
<u>Figure Number</u>	<u>Description</u>	<u>Part Number</u>
1.	Screw	STA 5233
2.	Top Lid (Painted)	20D-21
3.	Rear Access Plate	20N-291
4.	Bushing (Lift Handle)	STA 2515
5.	Upper Column	20N-22.17
6.	Plug Button	STA 6561
7.	Bushings	STA 2514 (each)
8.	Column Seal	20N-207
9.	Plug Button	STA 6511
10.	Lower Column	20N-22.30
11.	Bolt M8X20	STA 5631
12.	Leg Left	20N-25.1
13.	Leg Right	20N-25.2
14.	Plug Button	STA 6560
15.	Rubber Foot	20N-218
16.	NSF Cover Plate	20N-304

Bowl Arms



Bowl Arms

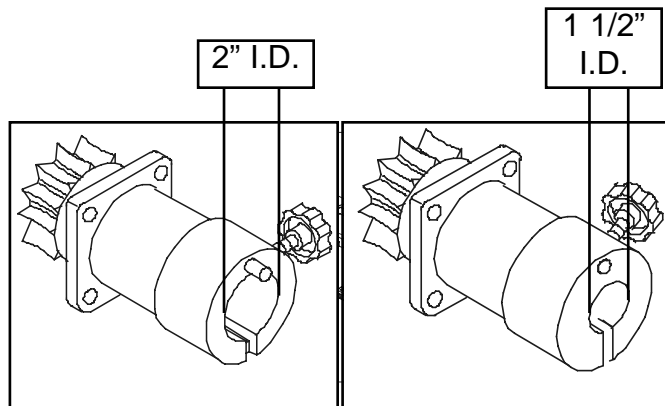
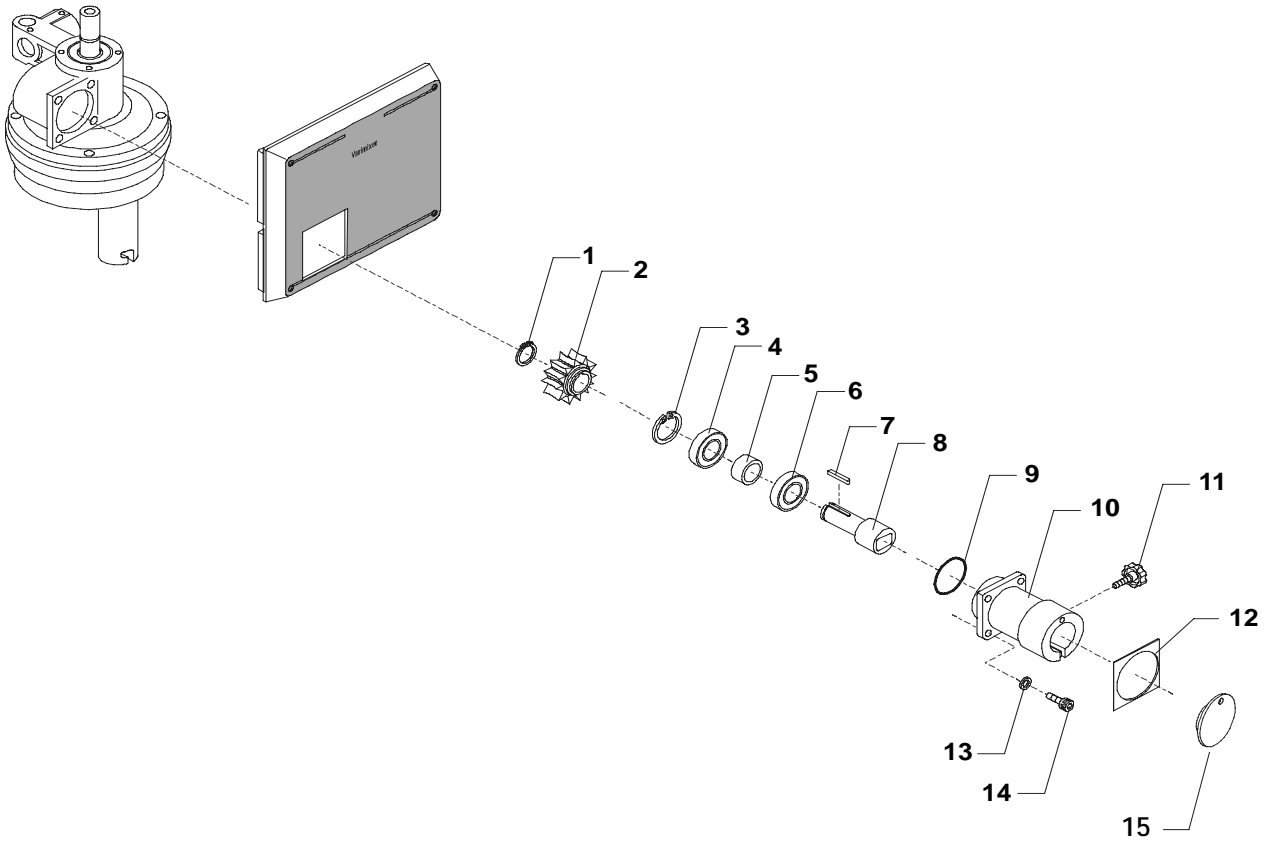
<u>Figure Number</u>	<u>Description</u>	<u>Part Number</u>
1.	Ball (Black)	STA 3306
2.	Bowl Lift Lever	20N-62Z
3.	Washer	STA 6066
4.	Disc With Arrow	20N47.10
5.	Retaining Disc	20N-47.11
6.	Crank Arm	20N-63M
7.	Cotter Pin	STA 6204
8.	Key	STA 2019
9.	Snap Ring	STA 3407
10.	Lift Nut	20N-65.1Z
11.	Jam Nut	STA 5825
12.	Lift Bolt	20N-83.1
13.	Bowl Arm Shaft	20N-68.1M
14.	Snap Ring 25U	STA 3410
15.	Bowl Arm	20N-23
16.	Snap Ring 25U	STA 3410
17.	Bowl Lift Lever Assembly	20N-62Z
18.	Lift Bolt Assembly	20N-65.1M
19.	Bowl Arm Shaft Assembly	20N-68.1M



Planetary Head

<u>Figure Number</u>	<u>Description</u>	<u>Part Number</u>
1.	Snap Ring	STA 3414
2.	Bearing 6206	20-98
3.	Snap Ring	STA 3518
4.	Bolt M6X16	STA 5432
5.	Main Bearing Head	20N-3
6.	Snap Ring	STA 3518
7.	Bearing 6206	20-98
8.	Distance Piece	20-37
9.	Gear Wheel Rim	20N-1
10.	Bolt M8X30	STA 5626
11.	Main Shaft	20N-30
12.	Snap Ring	STA 3470
13.	Eccentric Disc	20-36
14.	Bearing 6006	20-100
15.	Snap Ring	STA 3515
16.	Snap Ring	STA 3414
17.	Seal	20N-108R
18.	Needle Bearing Race	See item 25
19.	Groove Pin	STA 6460
20.	Needle Bearing set	20-96
21.	Disc	20-235
22.	Upper Rim Pinion	20-31
23.	Lower Rim Pinion	20-32
24.	Eccentric Head	20N-2
25.	Needle Bearing	20N-101
26.	Bolt	STA 5641
27.	Distance Piece	20-34
28.	Bearing 6205	20-97
29.	Distance Piece	20-34
30.	Snap Ring	STA 3514
31.	Key	STA 2008
32.	Bayonet Shaft	20-33
33.	Stainless Cover	20-272
34.	Black Cover	20-272.1
35.	Rubber Ring	20-209

Attachment Drive

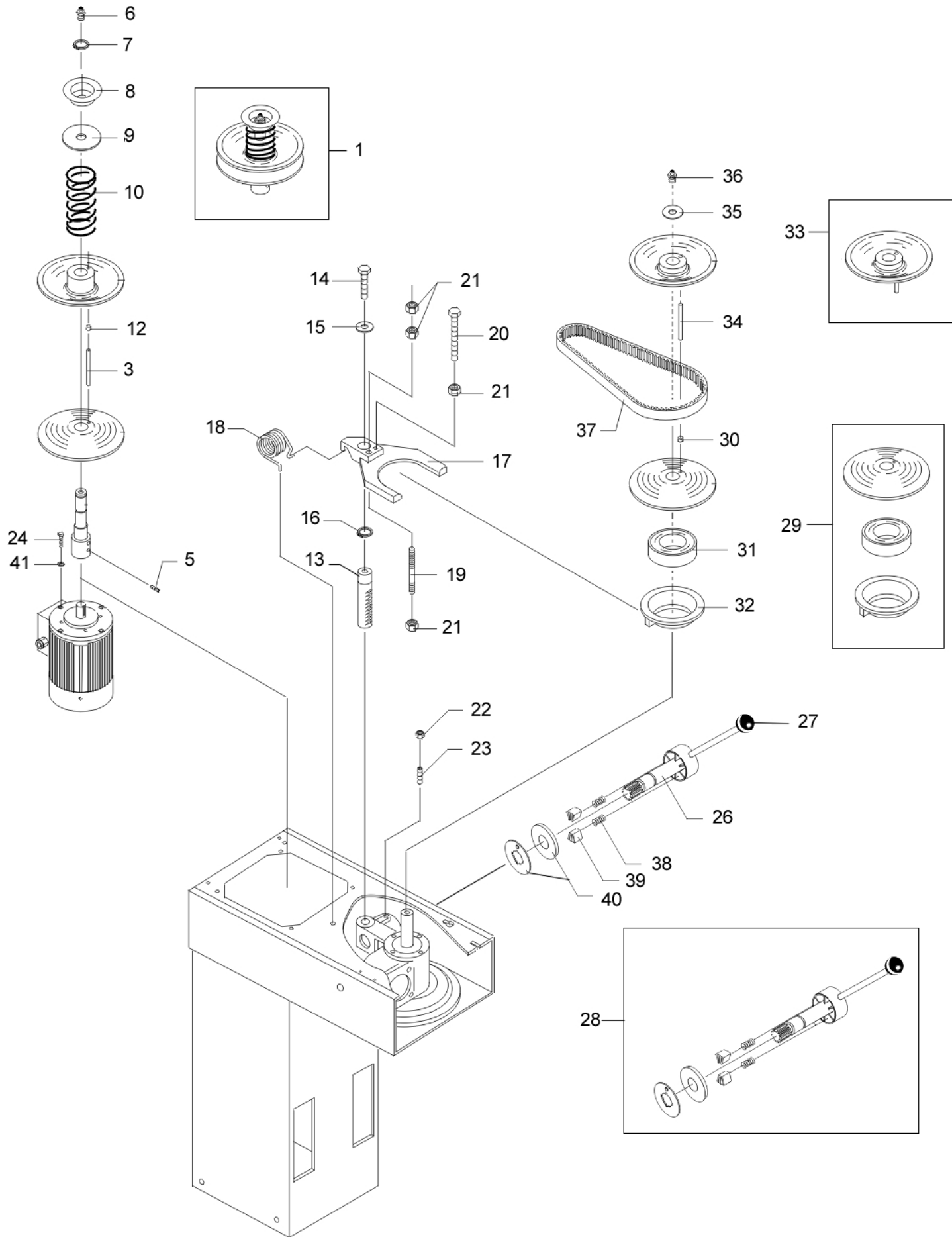


20N-10.5M
#17 Hub

20N-10.6M
#12 Hub

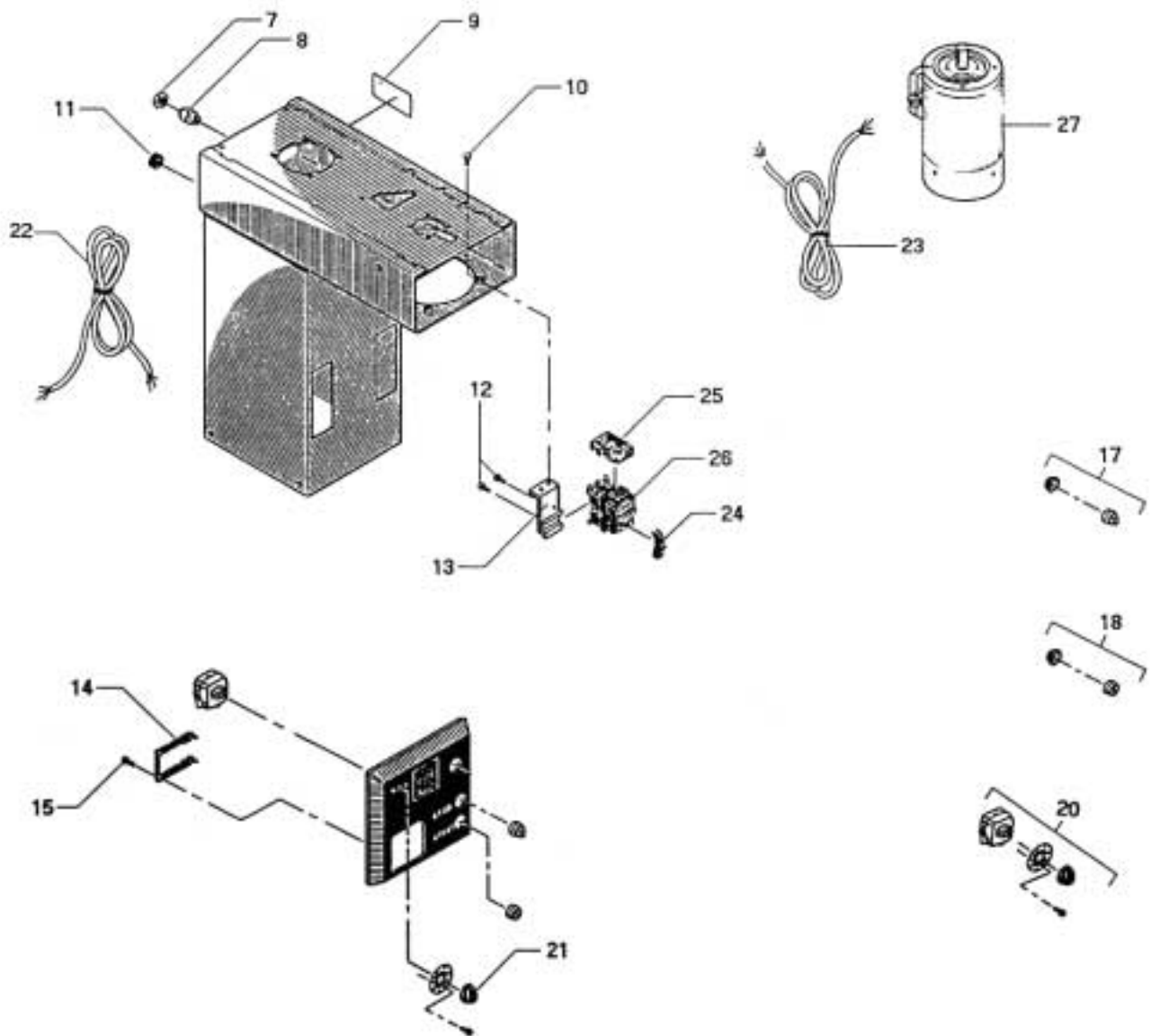
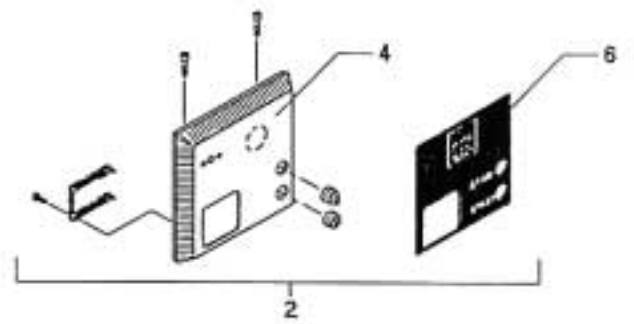
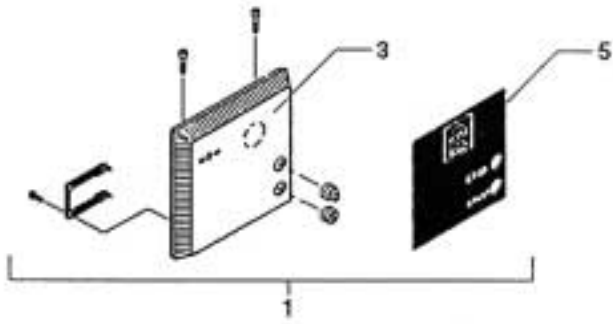
Attachment Drive

<u>Figure Number</u>	<u>Description</u>	<u>Part Number</u>
1.	Snap Ring	STA 3410
2.	Wormwheel	20N-9
3.	Snap Ring	STA 3512
4.	Bearing	15-105
5.	Distance Piece	20N-37
6.	Bearing	15-105
7.	Key	STA 2031
8.	Shaft F/ #17 Hub	20N-50
8A.	Shaft F/ #12 Hub	20J-50
9.	O-ring	STA 3127
10.	Hub F/ #17 (2" I.D.)	20N-8
10A.	Hub F/ #12 (1 1/2" I.D.)	20J-8
11.	Thumb Screw F/ #17	STA 5561
11A.	Thumb Screw F/ #12	4R-125
12.	Gasket	20N-211
13.	Lock Washer	STA 6038
14.	Bolt	STA 5631
15.	Cover F/ #17	15-214
15A.	Cover F/ #12	312C



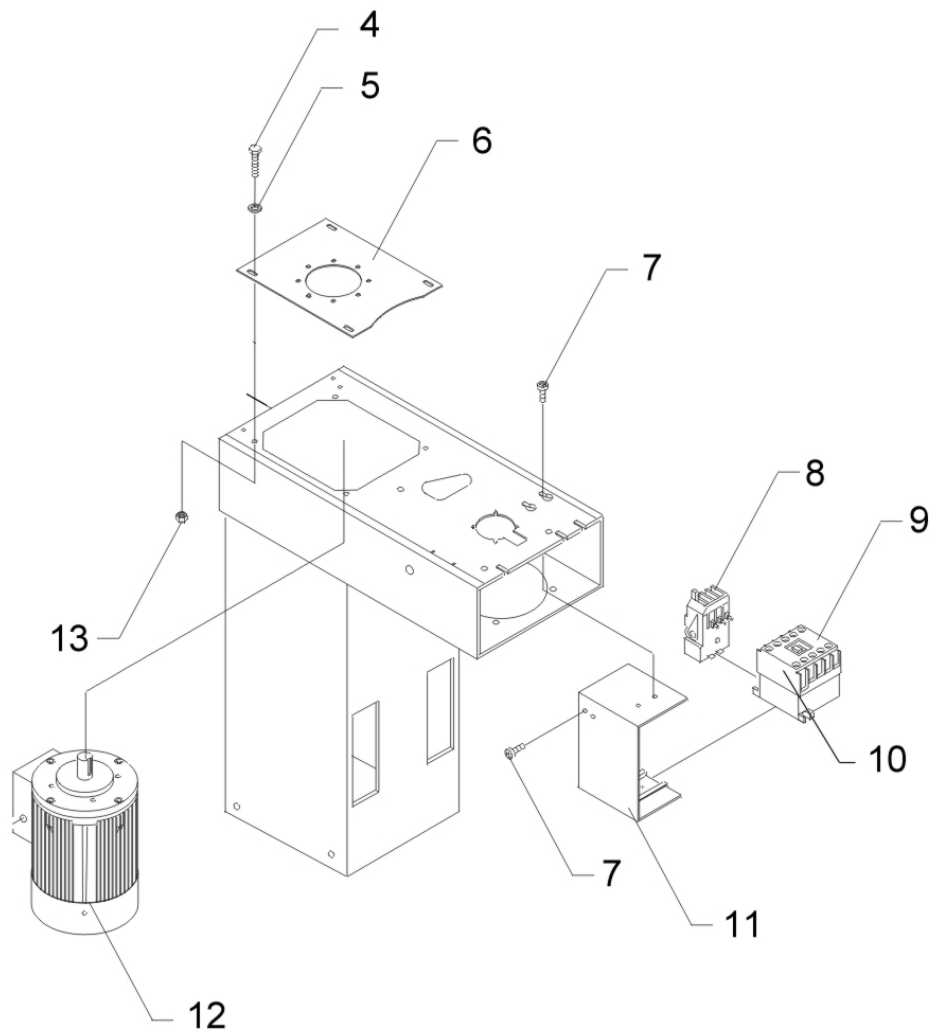
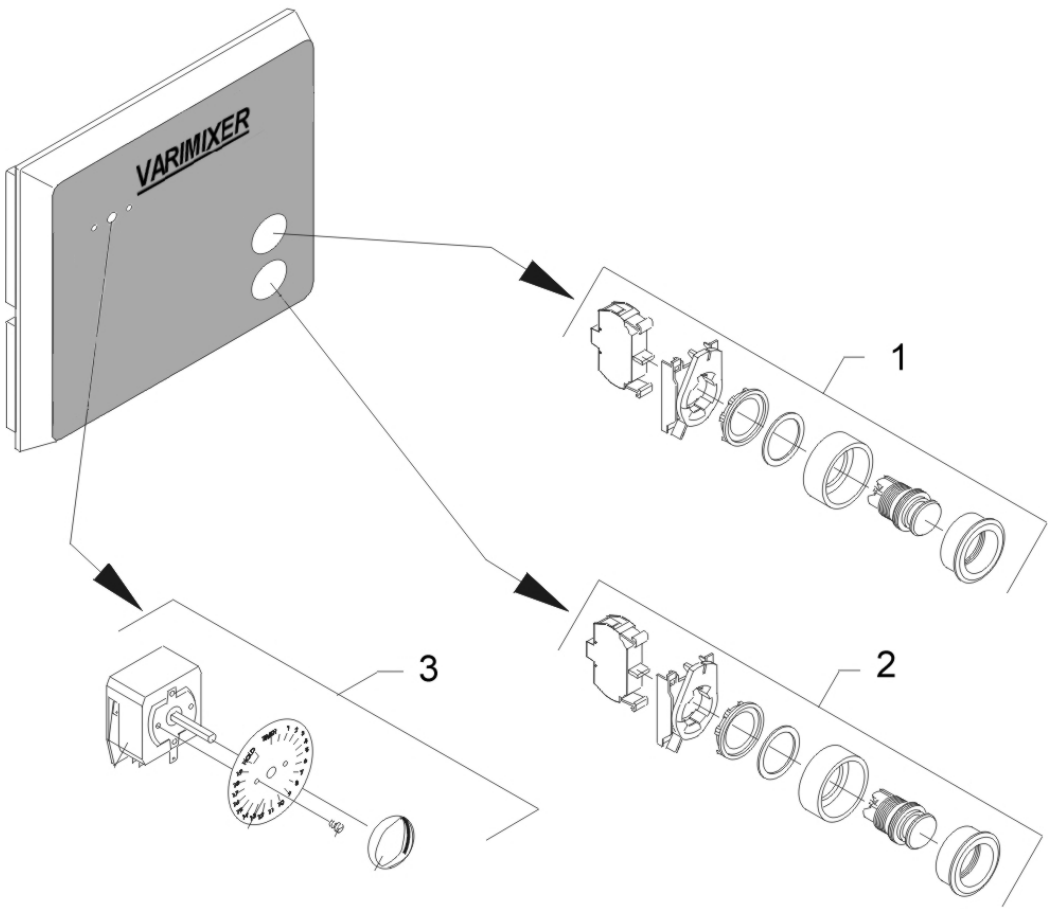
Transmission W20 93-Present

<u>Fig. No.</u>	<u>Order Number</u>	<u>Description</u>
1	20N-13M	Pulley assembly (Motor)
3	60-285	Pin
5	STA 5604	Pointed Screw M8 x 16
6	STA 3220	Grease Nipple
7	STA 3410	Snap Ring
8	20N-227	Spring Holder
9	20N-228	Rubber Ring
10	20N-275	Spring Holder
12	STA 2505	Bearing Bushing MB0610DU
13	20N-46	Toothed Rack Shaft
14	STA 5451	Screw M8 x 16
15	STA 6028	Washer
16	STA 3407	Snap Ring 19U
17	20N-16.1	Lower Fork
18	20N-16.5	Spring
19	20N-305	Pin Bolt
20	STA 5452	Screw M8 x 50
21	STA 5812	Nut M8
22	STA 5819	Nut M6
23	STA 5601	Pointed Screw M6 x 20
24	STA 5451	Screw 3/8" / 16
27	STA 3306	Knob
28	20N-47M	Speed Lever
29	20N-39M	Lower Movable Pulley for main shaft complete
30	STA 2505	Bearing Bushing MB0610DU
31	15-103	Bearing 6010
32	15-17	Varispeed Collar
33	20N-38M	Upper Pulley for main shaft complete
34	20-285	Pin
35	STA 6018	Washer
36	STA 3220	Grease Nipple
37	20-91	Belt
38	20N-400	Spring
39	20N-47.20	Thrust Washer
40	20N-47.10	Thrust Washer with arrow
41	STA 6009	Washer



**1993 - MID. 1997
ELECTRIC COMPONENTS**

FIG. NO.	ORDER NO.	DESCRIPTION
1	20N-650.3M	front plate w/o attachment drive compl.
2	20N-650.8M	front plate for attachment drive compl.
3	20N-650.3	front plate w/o attachment drive
4	20N-650.8	front plate for attachment drive
5	20N-149.1	front film w/o attachment drive
6	20N-149.1.2	front film for attachment drive
7	STA3010	nut PG11
8	STA3000	cable inlet PG11
9	15-244	machine number sign
10	STA5230	screw M4 × 10
11	STA3078	cable inlet
12	STA5230	screw M4 × 10
13	20N-151	fittings for relay
14	20N-176.5	plate for switch
15	STA5230	screw M4 × 10
17	27-175	stop button complete
18	27-174	start button complete
20	20-188.15M	timer complete
21	30-189	knob for timer
22	20N-194.2m	cable 5 × 1,5 white
23	20N-194m	cable 4 × 1,5 white
24	20-88.45	auxiliary switch
25	20-88.24	thermal overload relay
26	100-88.4	contactor for motor incl. coil
27	20N-85.63	motor

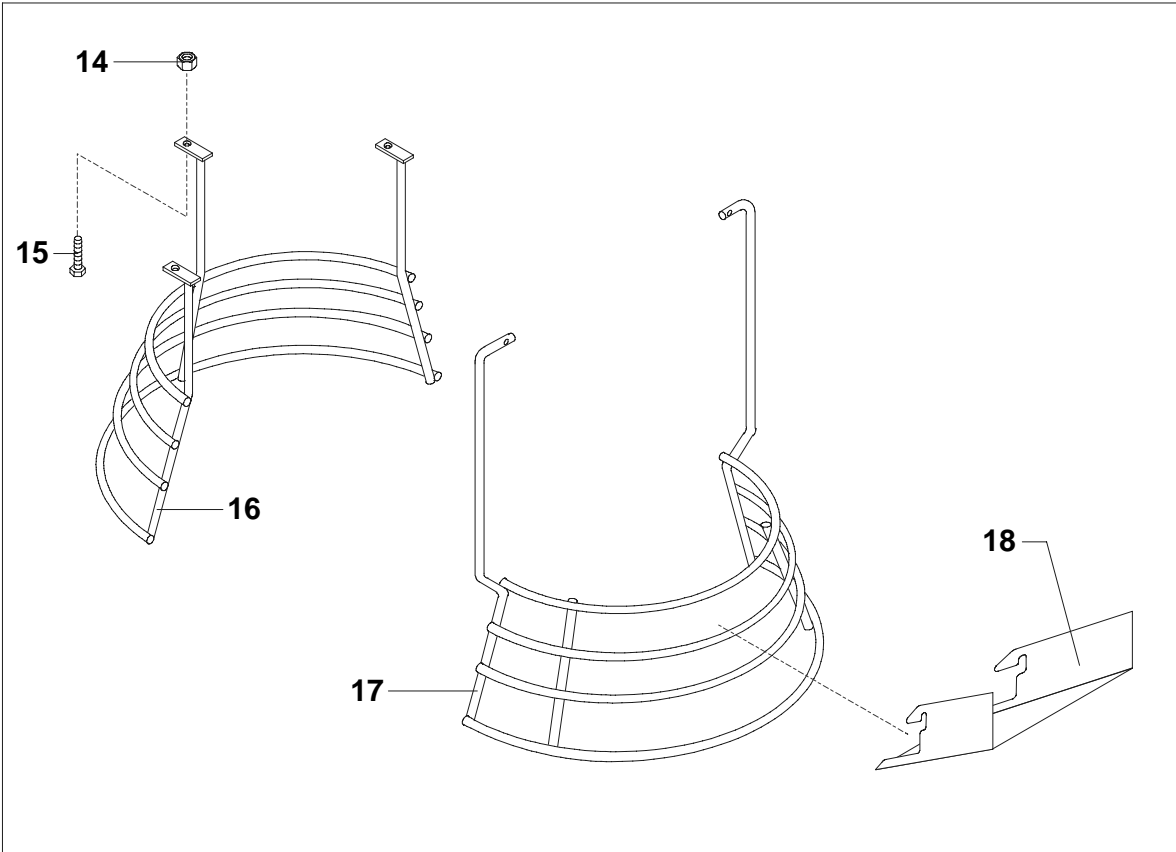
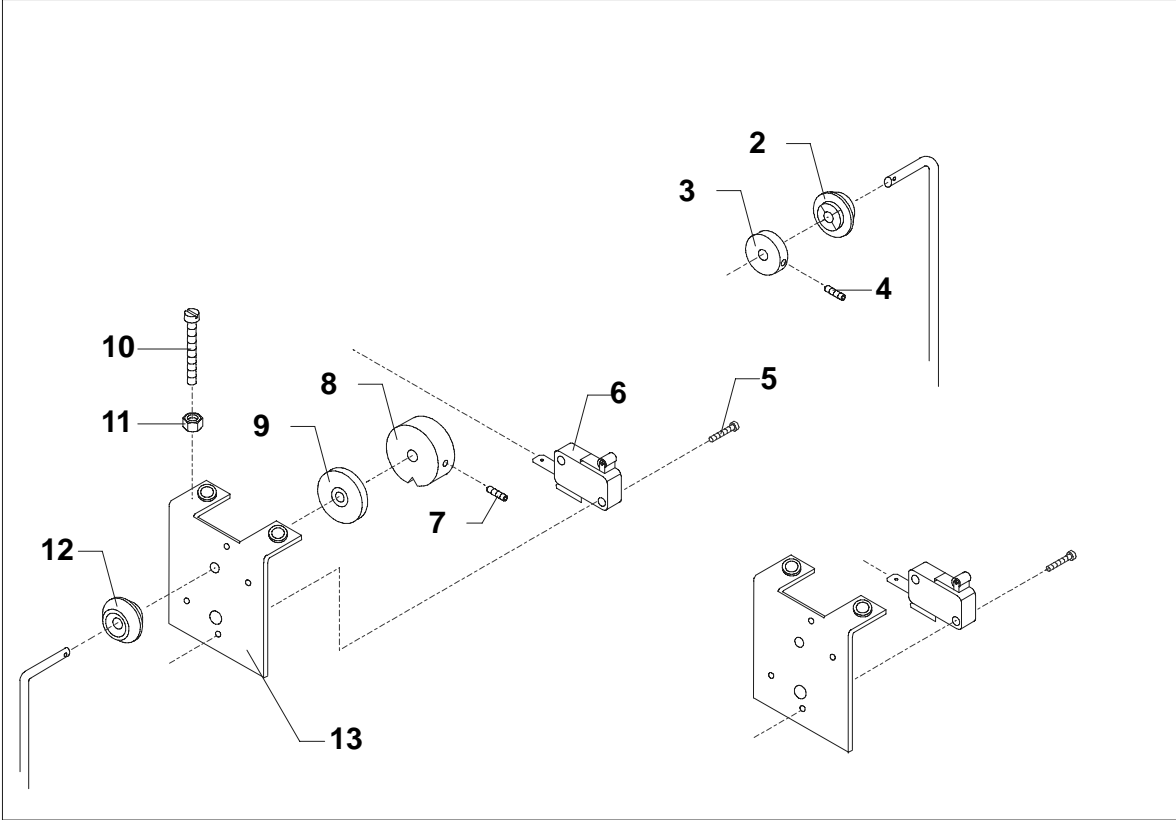


ELECTRICAL COMPONENTS

1998-

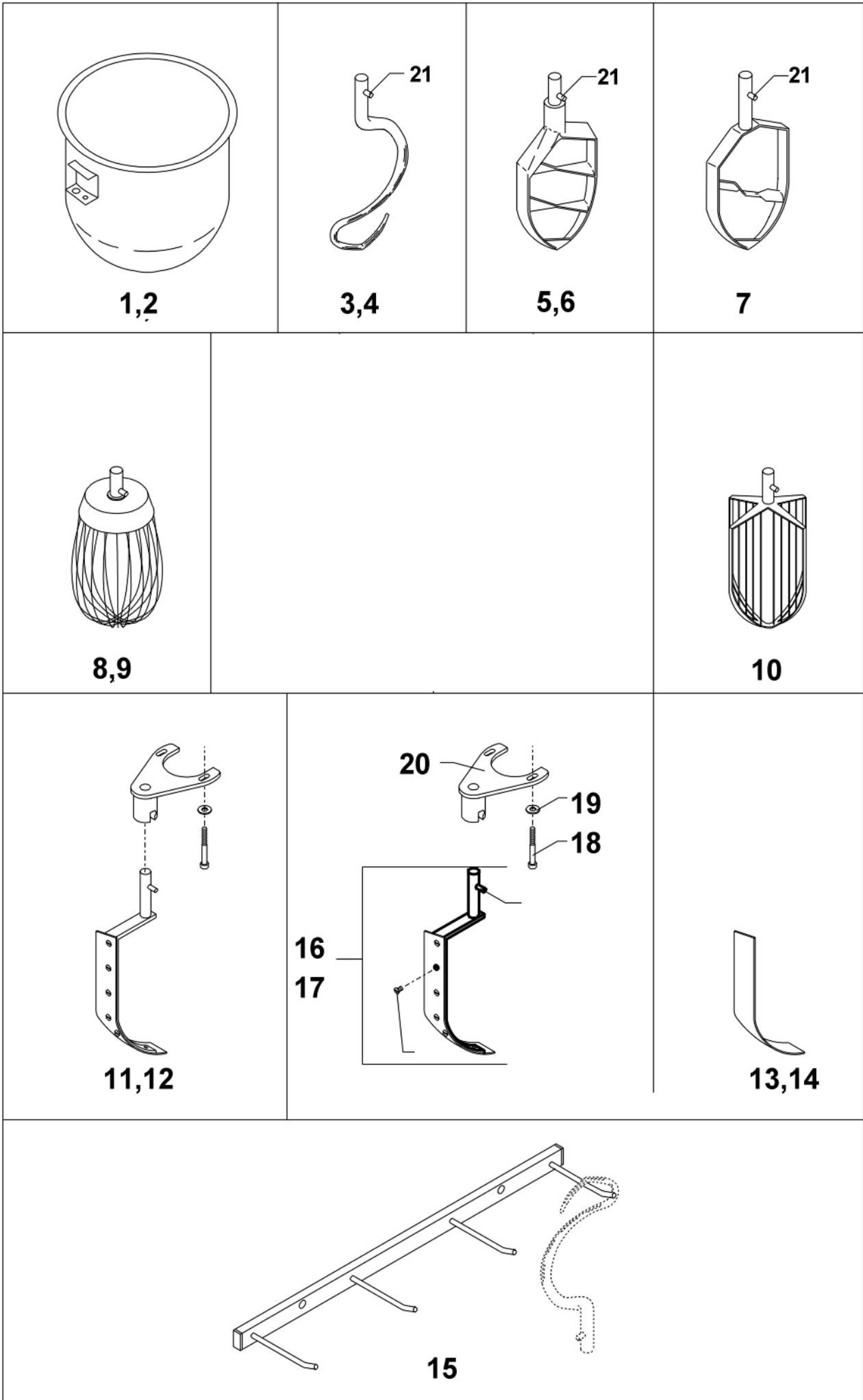
Fig. No.	Order Number	Description
1	31-174.2	START SWITCH ASSEMBLY
2	31-174.3	STOP SWITCH ASSEMBLY
3	20-188.15M	TIMER 15 MIN. 115V
4	STA 5432	M6X16 BOLT
5	STA 6008	WASHER
6	20N-61	MOTOR PLATE
7	STA 5232	SCREW
8	20-88.24	THERMAL OVERLOAD 11-16 AMP
9	100-88.4	CONTACTOR 16A 110V
10	20-88.47	AUX.START SWITCH
11	20N-151.2	BRACKET FOR CONTACTOR
12	20N-85.63	MOTOR 1H.P. 115V1
13	STA 5851	SCREW

Bowl Screen



Bowl Screen

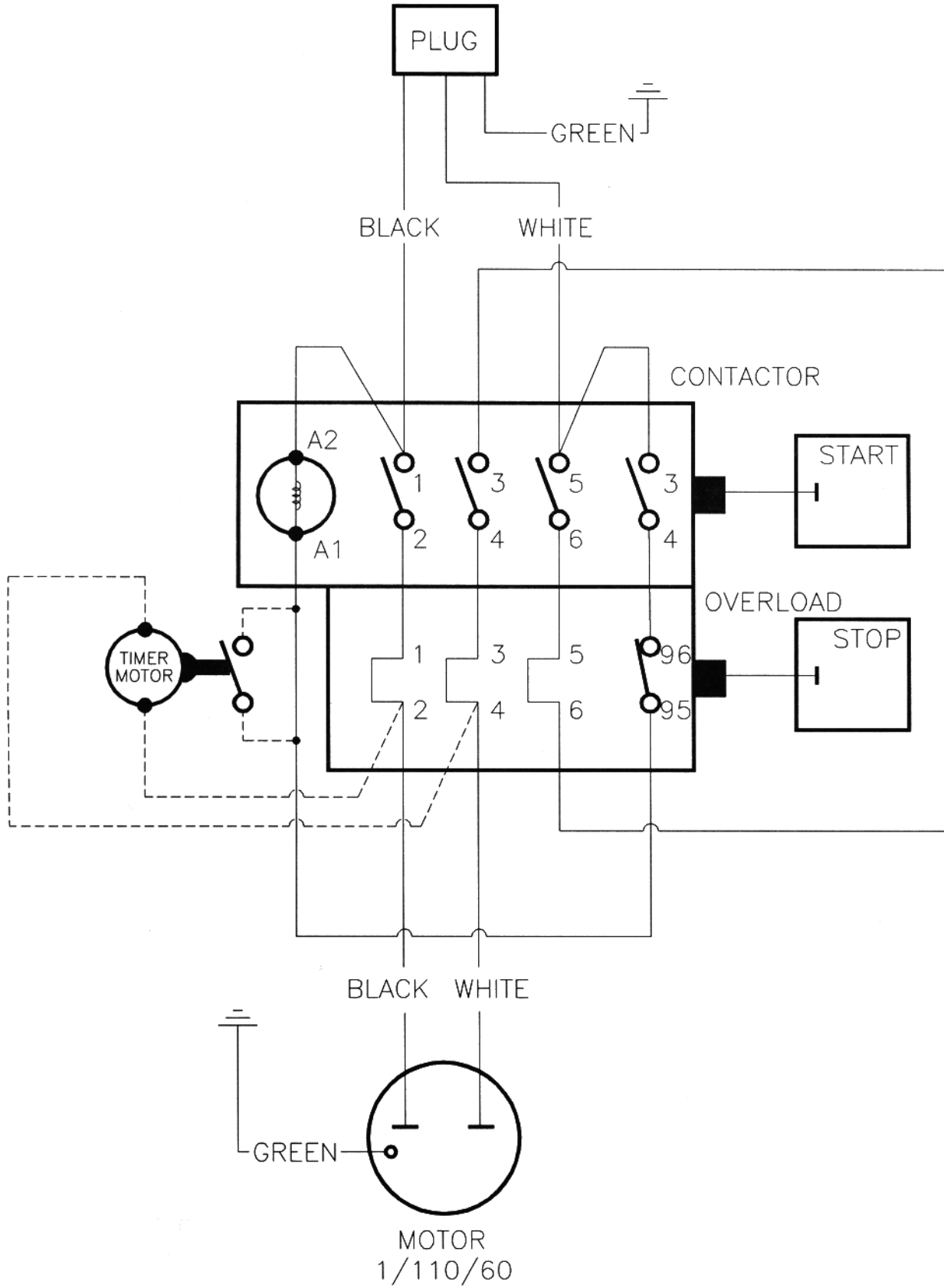
<u>Figure Number</u>	<u>Description</u>	<u>Part Number</u>
1.	Bowl Screen Kit	225/20N
2.	Bushing	56SN20-21.1
3.	Cam	56SN20-23
4.	Set Screw	STA 5664
5.	Screw	STA 5251
6.	Microswitch	56SN20-30
7.	Set Screw	STA 5664
8.	Cam	56SN20-22.1
9.	Spacer	56SN20-24
10.	Bolt	STA 5850
11.	Nut	STA 5816
12.	Bushing	56SN20-21.1
13.	Bracket Assembly	56SN30-13
14.	Nut	STA 5850
15.	Bolt	STA 5360
16.	Rear Screen	225/20R
17.	Front Screen	225/20F
18.	Chute	56G20-280



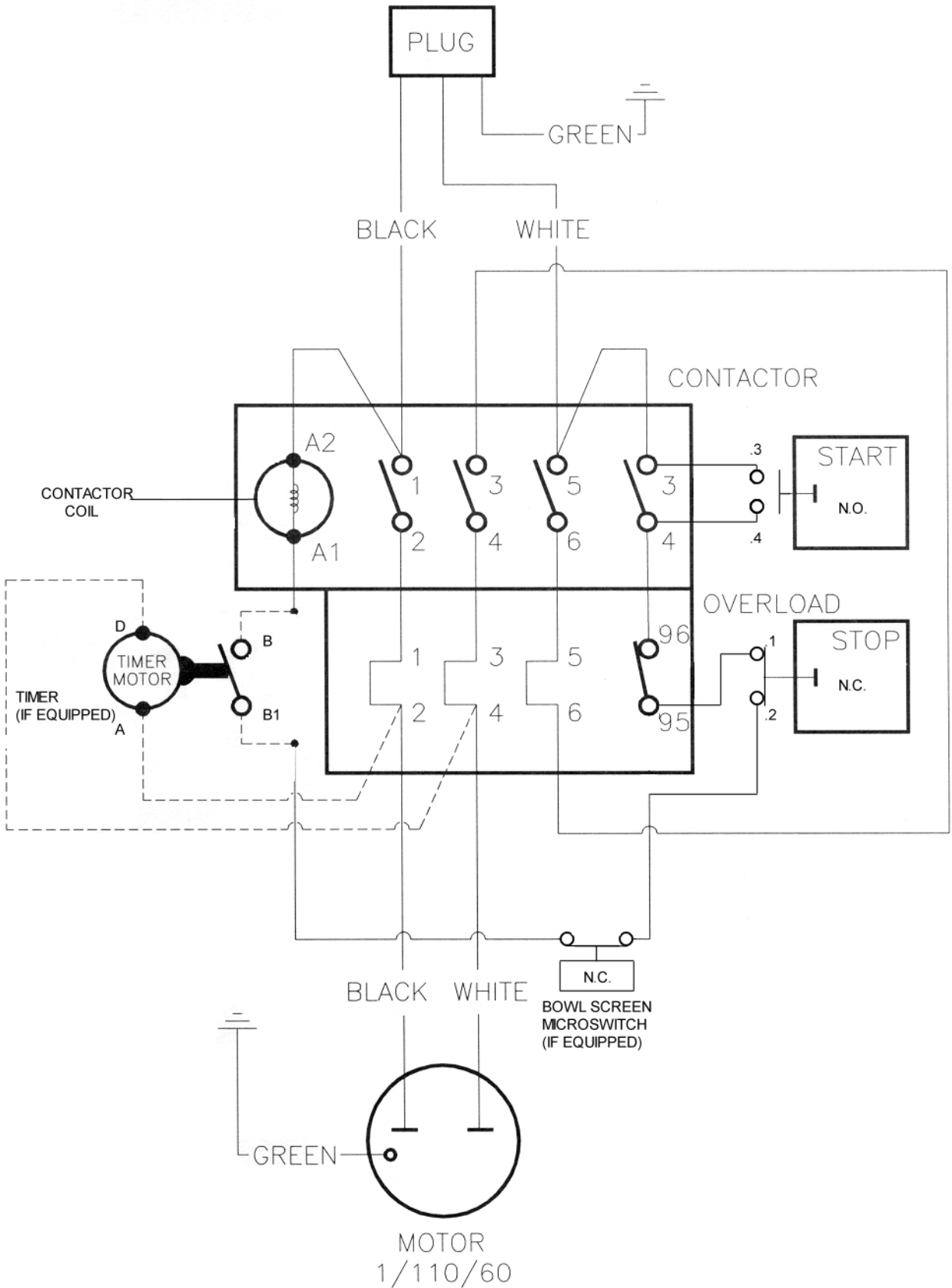
**BOWLS AND
MIXING TOOLS**

Fig. No.	Order Number	Description
1	203/20N	20 QT.BOWL S/S
2	203/12N	12 QT. BOWL S/S (OPTIONAL)
3	213/20A	20 QT. DOUGH HOOK S/S (OPTIONAL ON F & J)
4	213/20N	12 QT. DOUGH HOOK S/S (OPTIONAL)
5	205/20A	20 QT. BEATER ALUMINUM
6	205/12N	12 QT.BEATER ALUMINUM (OPTIONAL)
7	204/20A	20 QT. S/S BEATER
8	207/20A	20 QT. S/S/ WIRE WHIP
9	207/12N	12 QT. S/S WIRE WHIP (OPTIONAL)
10	209/20A	20 QT.WING WHIP (OPTIONAL)
11	224/20A	20 QT. BOWL SCRAPER ASSEMBLY(OPTIONAL)
12	224/12N	12 QT. BOWL SCRAPER ASSEMBLY(OPTIONAL)
13	42R20-104	20 QT.NYLON BLADE FOR SCRAPER
14	42RN12-102	12 QT.NYLON BLADE FOR SCRAPER
15	222	RACK
16	42R20-102	20 QT. SCRAPER ARM AND BLADE
17	42RN12-102	12 QT. SCRAPER ARM AND BLADE
18	STA 5648	BOLT M8 X 100
19	STA 6020	WASHER 5/16" X 3/4"
20	42RN20-101M	HOLDER FOR SCRAPER
21	STA 6259	TOOL PIN

1993 - 1997



1998-



Free Manuals Download Website

<http://myh66.com>

<http://usermanuals.us>

<http://www.somanuals.com>

<http://www.4manuals.cc>

<http://www.manual-lib.com>

<http://www.404manual.com>

<http://www.luxmanual.com>

<http://aubethermostatmanual.com>

Golf course search by state

<http://golfingnear.com>

Email search by domain

<http://emailbydomain.com>

Auto manuals search

<http://auto.somanuals.com>

TV manuals search

<http://tv.somanuals.com>