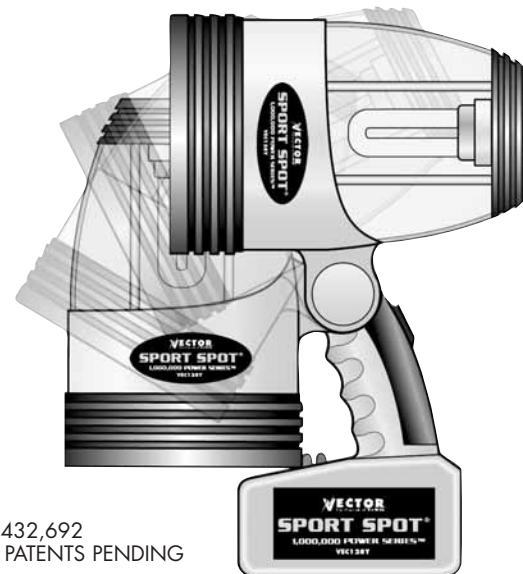




VEC128SL

SPORT SPOT® LANTERN COMBO CORDLESS • RECHARGEABLE



PATENT N° D432,692
AND OTHER PATENTS PENDING

USER'S MANUAL & WARRANTY INFORMATION

IMPORTANT SAFETY INFORMATION, SAVE THESE INSTRUCTIONS

TO REDUCE THE RISK OF INJURY, USER MUST READ AND UNDERSTAND THIS INSTRUCTIONAL MANUAL. THIS MANUAL CONTAINS IMPORTANT INFORMATION REGARDING THE OPERATION AND WARRANTY OF THIS PRODUCT. PLEASE RETAIN FOR FUTURE REFERENCE.

4140 S.W. 30th Ave., Ft. Lauderdale, FL 33312
Toll Free: (866) 584-5504

www.vectormfg.com



© 2005 VECTOR MANUFACTURING
4140 SW 30TH AVE.
FT. LAUDERDALE, FL 33312

ONE YEAR LIMITED WARRANTY PROGRAM

This limited warranty program is the only one that applies to this product, and it sets forth all the responsibilities of Vector Manufacturing, regarding this product. There is no other warranty, other than those described herein. Any implied warranty of merchantability or fitness for a particular purpose on this product is limited in duration to the duration of this warranty.

This Vector Manufacturing product is warranted, to the original purchaser only, to be free of defects in materials and workmanship for one year from the date of purchase without additional charge. The warranty does not extend to subsequent purchasers or users. Manufacturer will not be responsible for any amount of damage in excess of the retail purchase price of the product under any circumstances. Incidental and consequential damages are specifically excluded from coverage under this warranty.

This product is not intended for commercial use. This warranty does not apply to damage to units from misuse or incorrect installation/connection. Misuse includes wiring or connecting to improper polarity power sources.

RETURN/REPAIR POLICY: Defective products may be returned to manufacturer. Any defective product that is returned to manufacturer within 30 days of the date of purchase will be replaced free of charge. If such a product is returned more than 30 days but less than one year from the purchase date, manufacturer will repair the unit or, at its option, replace it, free of charge.

If the unit is repaired, new or reconditioned replacement parts may be used, at manufacturer's option. A unit may be replaced with a new or reconditioned unit of the same or comparable design. The repaired or replaced unit will then be warranted under the terms of the remainder of the warranty period. The customer is responsible for the shipping charges on all returned items. During the warranty period, manufacturer will be responsible for the return shipping charges to the customer in the United States.

LIMITATIONS: This warranty does not cover accessories, such as charging adapters, bulbs, fuses and batteries, damage or defects resulting from normal wear and tear (including chips, scratches, abrasions, discoloration or fading due to usage or exposure to sunlight), accidents, damage during shipping to our service facility, alterations, unauthorized use or repair, neglect, misuse, abuse, failure to follow instructions for care and maintenance, fire, flood and Acts of God.

If your problem is not covered by this warranty, call our Technical Support Department at (954) 584-4446 or toll free at (866) 584-5504 for general repair information and charges if applicable. You may also contact us through our website at www.vectormfg.com.

STATE LAW RIGHTS: This warranty gives you specific legal rights. Some states do not allow limitations on how long an implied warranty lasts or the exclusion or limitation of incidental or consequential damages, so the exclusions or limitations stated herein may not apply. This warranty gives the purchaser specific legal rights; other rights, which vary from state to state, may apply.

TO REQUEST WARRANTY SERVICE FOR THIS PRODUCT: Contact Technical Support by telephone, fax or mail (see below). We suggest that you keep the original packaging in case you need to ship the unit. When returning a product, include your name, address, phone number, dated sales receipt (or copy) and a description of the reason for return and product serial number. After repairing or replacing the unit, we will make every effort to return it to you within four weeks.

WARRANTY ACTIVATION: Please complete Warranty Activation Card and mail to Vector Manufacturing. Enter "VEC128SL" as Model and "SPORT SPOT® LANTERN COMBO" as Product Type. All Vector products must be registered within 30 days of purchase to activate this warranty. Mail the completed registration form, along with a copy of the original sales receipt, to:

ATTN.: CUSTOMER SERVICE
4140 SW 30th Ave., Ft. Lauderdale, FL 33312
• TOLL FREE: (866) 584-5504 • FAX: (954) 584-5556 •

WARRANTY IS NON-TRANSFERABLE.

BD091905

© 2005 VECTOR MANUFACTURING
MADE IN CHINA

9.1 BATTERY REMOVAL PROCEDURE

1. Press the tab on the lower part of the Battery Compartment Cover while lifting the cover.
2. Fully remove the cover and set it aside.
3. Carefully move the battery towards the opening of the compartment.
4. Using a long nose pliers, carefully rock each spade terminal and remove them from the Battery Spade Lug Terminals. Note the colors of the attached wires and to which terminal they were connected.
5. Fully remove the battery and set it aside.
6. Follow Safe Battery Disposal instructions.

9.2 BATTERY INSTALLATION PROCEDURE

1. Partially insert the new battery in the compartment in the same position as the old battery.
2. Using long nose pliers, attach the Spade Connectors to their respective Battery Spade Terminals. Check to ensure they are fully connected.
3. Push battery back into compartment.
4. Replace cover and slide downward until the tab snaps into place.
5. Momentarily check operation of the spotlight and lantern for proper operation.
6. Recharge the battery using either the AC or DC Recharge Adapter.

10. SAFE BATTERY DISPOSAL

Contains a maintenance-free, sealed, non-spillable, lead acid battery. This battery is fully recyclable and should be accepted at any location that accepts common automotive starter batteries. County or municipal recycling drop-off centers, scrap metal dealers and retailers who sell automotive replacement lead acid starter batteries. For more information on recycling this battery, call toll-free (877) 288-7722

BATTERY DISPOSAL WARNINGS

- Do not dispose of the battery in fire as this may result in an explosion
- Before disposing the battery, protect exposed terminals with heavy-duty electrical tape to prevent shorting (shorting can result in injury or fire)
- Do not expose battery to fire or intense heat as it may explode

11. SPECIFICATIONS

Spotlight Bulb	H-3 Series, 6 volt, proprietary
Lantern Tube	13 Watt, Twin U Tube Fluorescent, proprietary
Battery	Maintenance free, sealed lead acid 6 volt, 6 Amp Hour
Fuse	.5 Ampere

CAUTIONS:

- DO NOT SUBMERGE IN WATER.
- Do not recharge with other than supplied AC and DC Recharge Adapters
- Do not overcharge battery
- Do not operate lights while recharging—this can cause damage to the unit or charger
- This spotlight produces high levels of heat when operating—DO NOT TOUCH THE SPOTLIGHT LENS WHEN THE SPOTLIGHT IS ON
- Keep spotlight lens away from combustible materials when spotlight is On
- This light is not a toy—keep away from children

CONTENTS

1.	INTRODUCTION	1
2.	FEATURES	2
3.	OPERATION	2
4.	RECHARGE	2
	4.1 AC Recharge	3
	4.2 DC Recharge	3
5.	MAINTENANCE/PARTS REPLACEMENT	3
6.	SPOTLIGHT BULB REPLACEMENT	3
	6.1 SPOTLIGHT Bulb Removal	4
	6.2 Spotlight Bulb Installation	4
7.	LANTERN TUBE REPLACEMENT	5
	7.1 Fluorescent Tube Removal	5
	7.2 Fluorescent Tube Installation	6
8.	FUSE REPLACEMENT	6
9.	BATTERY REPLACEMENT	6
	9.1 Battery Removal	7
	9.2 Battery Installation	7
10.	SAFE BATTERY DISPOSAL	7
11.	SPECIFICATIONS	7
	WARRANTIES	

1. INTRODUCTION

Congratulations on purchasing the Vector Sport Spot Lantern, an advanced design combination spotlight and lantern. It instantly converts use from a powerful spotlight to a soft, long-lasting area light. See Figure 1A and 1B. It uses a powerful proven-technology, rechargeable, sealed lead acid battery that allows for years of dependable use, recharge after recharge. It was designed from the ground up to be the most versatile and practical light for travel, camping, picnicking, tailgate parties and boating. The Sport Spot Lantern gives you the kind of light you need, when and where you need it.

FIGURE 1A

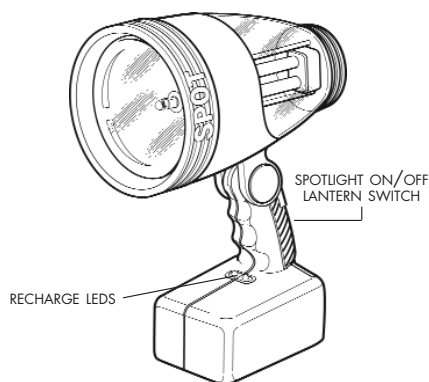
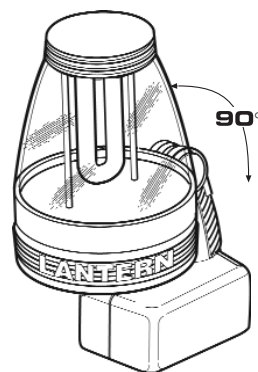


FIGURE 1B



Two recharge adapters are supplied with the Sport Spot Lantern. It is rechargeable from either a DC cigarette lighter type 12 volt DC socket (accessory socket) or from any 120 volt 60 Hz AC receptacle. 12 volt DC power is available from most vehicles, boats, jump starters and portable battery packs. Vector has a variety of portable power products that may be considered as companions to your Sport Spot Lantern. Contact Vector for additional information.

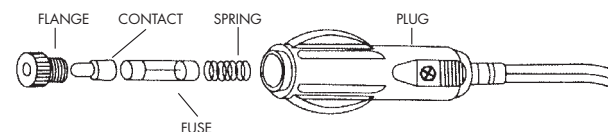
7.2. FLUORESCENT TUBE INSTALLATION

1. Make sure that the Lantern Switch is Off.
2. Press the new fluorescent tube's base into the Tube Socket Assembly.
3. Replace the Tube Socket Assembly so that the two Support Rods pass through the assembly and it is fully seated against the clear plastic dome.
4. Replace the two nuts and tighten (clockwise) so that the tube assembly is snug.
5. Screw on (clockwise) the End Cap until it is snug.
6. Test the fluorescent tube for proper operation by reconnecting the battery and turning On the Lantern switch.

8. FUSE REPLACEMENT

The fuse is located inside the DC plug. (See Figure 5 for fuse replacement.) Make sure the DC Recharge connector is disconnected from the Sport Spot Lantern.

FIGURE 5



FUSE REPLACEMENT PROCEDURE

1. Unscrew (counterclockwise) the flange from the DC plug.
2. Remove the flange, contact and fuse from the plug assembly.
3. Replace fuse with a .5 amp fuse of same type and size.
4. Place the center contact in the flange.
5. Replace the center contact and flange on the DC plug.
6. Tighten (clockwise) until the flange is fully seated.
DO NOT OVERTIGHTEN FLANGE!

9. BATTERY REPLACEMENT

The battery is contained in a compartment in the base of the unit. A plate must be removed to gain access to the battery. Figures 5A and 5B show access to the battery compartment.

FIGURE 5A

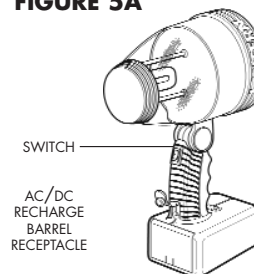
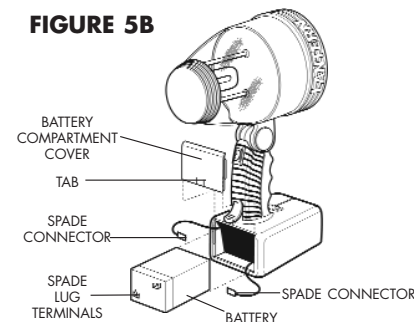


FIGURE 5B



7. LANTERN TUBE REPLACEMENT

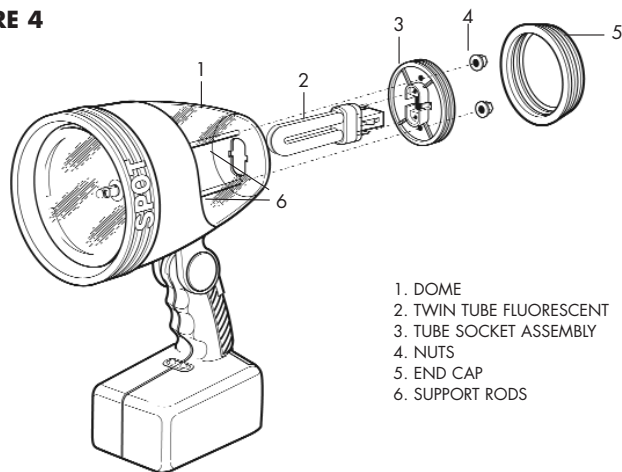
The Lantern fluorescent tube is mounted on a socket assembly. Power is sent to the tube socket through the two support rods. It is very important to make sure the Lantern switch is turned OFF before removing the end cap. If there are any doubts about the ON/OFF switch being Off, then refer to the Battery Removal section and disconnect the battery before removing the end cap.

WARNING:

FLUORESCENT TUBES OPERATE WITH HIGH VOLTAGE.
**DO NOT REMOVE END CAP UNLESS POWER IS OFF
 AND THE BATTERY IS DISCONNECTED. SEE SECTION 9**

See Figure 4 for Fluorescent Tube Replacement

FIGURE 4



7.1 FLUORESCENT TUBE REMOVAL

1. Make sure that the Power Switch is Off AND the battery is disconnected.
2. Remove the set screw from the end cap - item #5.
3. Rest the unit on a secure tabletop.
4. Position the head to be in the Spotlight position.
5. Unscrew (counter clockwise) the End Cap and set aside.
6. Unscrew (counter clockwise) the two nuts from the two support rods and set them aside.
7. Slide the Tube Socket assembly away from the head and remove it from the two support rods.
8. Set it on a stable work surface like a table, bench, etc.
9. Grasp the Tube Socket and push on the fluorescent tube base to disconnect the tube from the socket.
10. Do not allow the tube to drop.
11. Follow local procedures for safe fluorescent tube disposal.

5

2. FEATURES

- 1,000,000 Power Series™ Spotlight
- Powerful replaceable H-3 Series 6 volt quartz halogen bulb in spotlight
- Powerful replaceable 13 watt fluorescent U-shaped twin tube in lantern
- Head swivels 90 degrees for soft, 360 degree area lighting
- Rubber safety guard protects spotlight
- Recharging LED and battery FULL LED
- Recharges from standard North American Standard 120 volt AC, 60 Hz, receptacle
- Recharges from 12 volt DC accessory socket
- Three way switch - Spotlight, Off and Lantern
- Comfortable handgrip
- Stable base prevents tip over in any head position

NOTE:

This unit is shipped in a partially charged state. Charge unit using either AC or DC method until the green LED lights. Charge after each use. Initial charge should be for 12 hours.

3. OPERATION

The swivel action of the unit keeps the lamp head securely in position for use while carrying or while on tabletop. The range of swivel motion is greater than 90 degrees with five locking positions. The spotlight position (upright) focuses light straight ahead. The lantern position (spotlight tilted forward 90 degrees) floods light in a 360-degree pattern for reading, cooking and many other uses. A three-position Power Switch (Spotlight, Off, Lantern) controls on/off operation of both lights. The switch is protected by a flexible covering that protects it from dust, dirt and moisture. This ensures reliability and extends the life of the switch. The spotlight can be continuously lit for up to 20 minutes on a full battery charge; the lantern can be lit for up to four hours on a full battery charge.

4. RECHARGE

All batteries lose charge over time, especially when they are warm. Frequent battery recharges will extend battery life. AC recharge is recommended every two months, when not in frequent use. Use the AC recharge adapter and charge until battery is full. AC and DC recharge connections are through a heavy-duty barrel receptacle at the lower rear of the unit. (See figure 5A) Two LED indicators display the status of recharge. Continue recharge operation until the two LEDs are equally bright. (See Figure 1A.)

2

AC AND DC RECHARGE ADAPTERS

FIGURE 2A

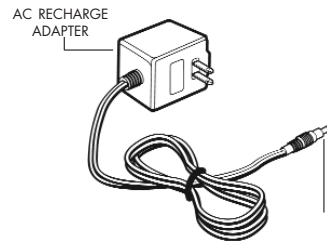
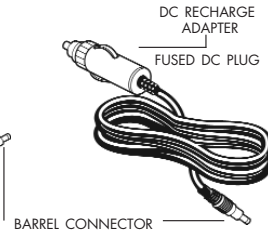


FIGURE 2B



4.1 AC RECHARGE

The AC Recharge adapter provides 300 mA DC for recharging the batteries. Power the AC Recharger from a standard, 120 volt, 60 Hz AC North American receptacle. The AC recharger will not support lamp operation. Do not operate the lamps while the AC Recharger is connected to the Recharge Port. Charge with lamps Off until LEDs are equally bright. This steady recharge will prolong battery life. Only use the supplied AC Recharger—DO NOT SUBSTITUTE WITH ANOTHER. (SEE FIGURE 2A)

4.2 DC RECHARGE DC

The Recharge adapter provides DC for recharging the batteries. Power the DC Recharger from a standard, 12 volt DC cigarette lighter type accessory socket. Charge until LEDs are equally bright. Only use the supplied DC Recharger - do not substitute with another. The DC Recharge Adapter's DC Plug is equipped with a user-replaceable 10-ampere fuse. (SEE FIGURE 2B)

5. MAINTENANCE/PARTS REPLACEMENT

If the unit has dirt on it, gently clean the outer surfaces of the Sport Spot Lantern with a soft cloth moistened with a mild solution of water and detergent. Periodically inspect the condition of recharge adapters, connectors and wires. Replace any components that may have become worn or broken.

Four parts are replaceable by users. The quartz halogen bulb and the fluorescent tube are proprietary and are only available through Vector Manufacturing. The sealed lead acid battery and fuse are available from Vector as well as from popular automotive parts suppliers nationwide. Contact Technical Support for replacement parts and any additional information that you may need at (866) 584-5504.

6. SPOTLIGHT BULB REPLACEMENT

See Figure 3 for bulb removal and replacement.

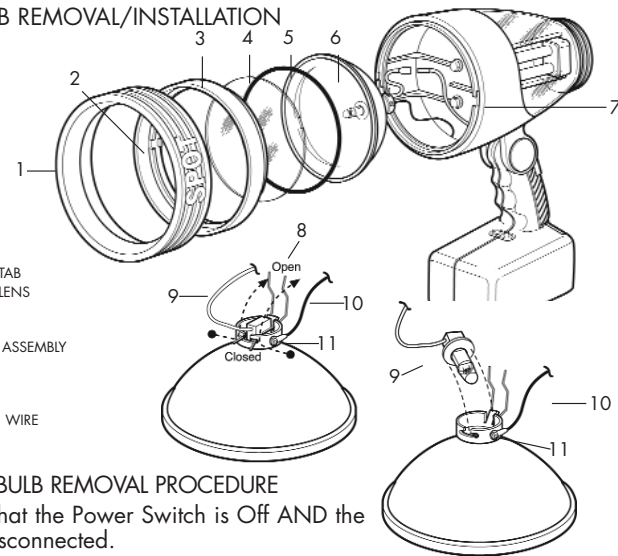
WARNING:

DO NOT ATTEMPT SPOTLIGHT BULB REPLACEMENT UNLESS POWER IS OFF AND THE BATTERY IS DISCONNECTED. SEE SECTION 9.

3

SPOTLIGHT BULB REMOVAL/INSTALLATION

FIGURE 3



6.1 SPOTLIGHT BULB REMOVAL PROCEDURE

1. Make sure that the Power Switch is Off AND the battery is disconnected.
2. Rest the unit on a secure tabletop.
3. Position the head to be in the Spotlight position.
4. Lift off the rubber Safety Ring and set it aside.
5. Grasp the Retaining Ring and rotate it slightly clockwise until the ring's tab lines up with the notch in the head.
6. Lift off the retaining ring.
7. Pull the lens, "O" ring and reflector assembly from the head.
8. Set the lens and "O" ring aside.
9. The Reflector/Lamp Assembly should be hanging from the two wires.
10. On the Reflector Assembly, carefully squeeze the two retaining wires together and lift them to release them from the "T" slot.
11. Loosen the screw—item #11.
12. Rotate the two retaining wires upward as shown, to allow the bulb to lift out.
13. Disconnect the white wire by pulling apart the two connectors on the wire.
14. Follow local procedures for bulb disposal.

6.2 SPOTLIGHT BULB INSTALLATION PROCEDURE

1. Insert the new bulb in the Reflector/Lamp Assembly.
2. Rotate the two retaining wires downward as shown, to hold the bulb in place.
3. Tighten the screw—item #11.
4. Connect the white wire by pushing together the two connectors.
5. On the reflector Assembly, carefully squeeze the two retaining wires together and place them in the "T" slot.
6. Replace the Reflector/Lamp Assembly, "O" Ring and Lens.
7. Place the Retaining Ring so that its tabs are aligned with the notches in the head.
8. Press the Retaining Ring until it is fully seated and rotate it slightly counter clockwise to secure it against the head.
9. Replace the rubber Safety Ring by pushing it onto the Retaining Ring. Make sure the Safety Ring is fully seated.
10. Check the spotlight operation by reconnecting the battery and turning on the switch.

4

Free Manuals Download Website

<http://myh66.com>

<http://usermanuals.us>

<http://www.somanuals.com>

<http://www.4manuals.cc>

<http://www.manual-lib.com>

<http://www.404manual.com>

<http://www.luxmanual.com>

<http://aubethermostatmanual.com>

Golf course search by state

<http://golfingnear.com>

Email search by domain

<http://emailbydomain.com>

Auto manuals search

<http://auto.somanuals.com>

TV manuals search

<http://tv.somanuals.com>