

Installation and Assembly - Vector Pro™ and PRS Projector Wall Mounts

Models: PWA-14,
PWA-14S,
PWA-14W

IMPORTANT! Read entire instruction sheet before you start installation and assembly.

IMPORTANT! Certain types of walls require additional mounting hardware...

⚠ WARNING

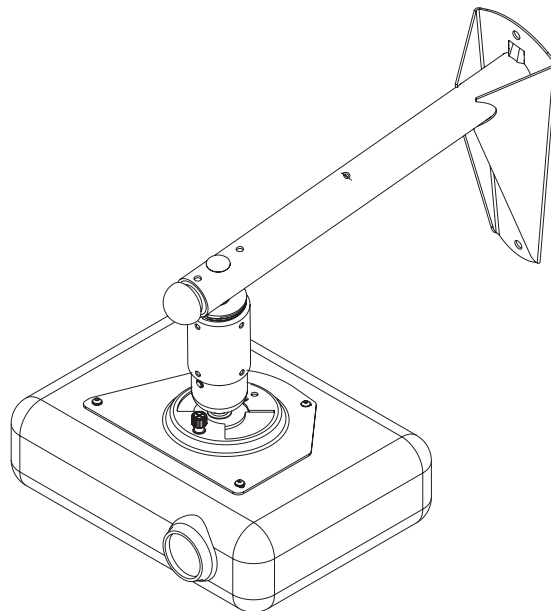
- This product was designed and intended to be mounted to the following supporting surfaces checked below with the hardware included in this product as specified in the installation sheet. To mount this product to an alternative supporting surface, contact Peerless customer care at 1 800 865-2112.
- This product was designed to be installed on the following wall construction only;

WALL CONSTRUCTION

- Wood Stud
- Wood Beam
- Solid Concrete
- Cinder Block
- Metal Stud
- Brick
- Other or unsure?

ADDITIONAL HARDWARE REQUIRED

- None
- None
- Do not attach except with Peerless accessory kit for solid concrete; Contact Customer Service for Peerless accessory kit for solid concrete.
- Do not attach except with Peerless accessory kit for cinder block; Contact Customer Service for Peerless accessory kit for cinder block.
- Do not attach except with Peerless accessory kit for metal studs; Contact Customer Service for Peerless accessory kit for metal studs.
- Contact Customer Service
- Contact Customer Service



Max. Load Capacity

50 lb (22.7 kg)

Some of the following tools may be required:

Drill, hammer, socket wrench, pencil, stud finder

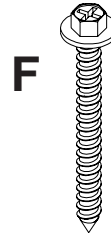
TURN TO THE APPROPRIATE PAGE FOR YOUR INSTALLATION.

Installations:

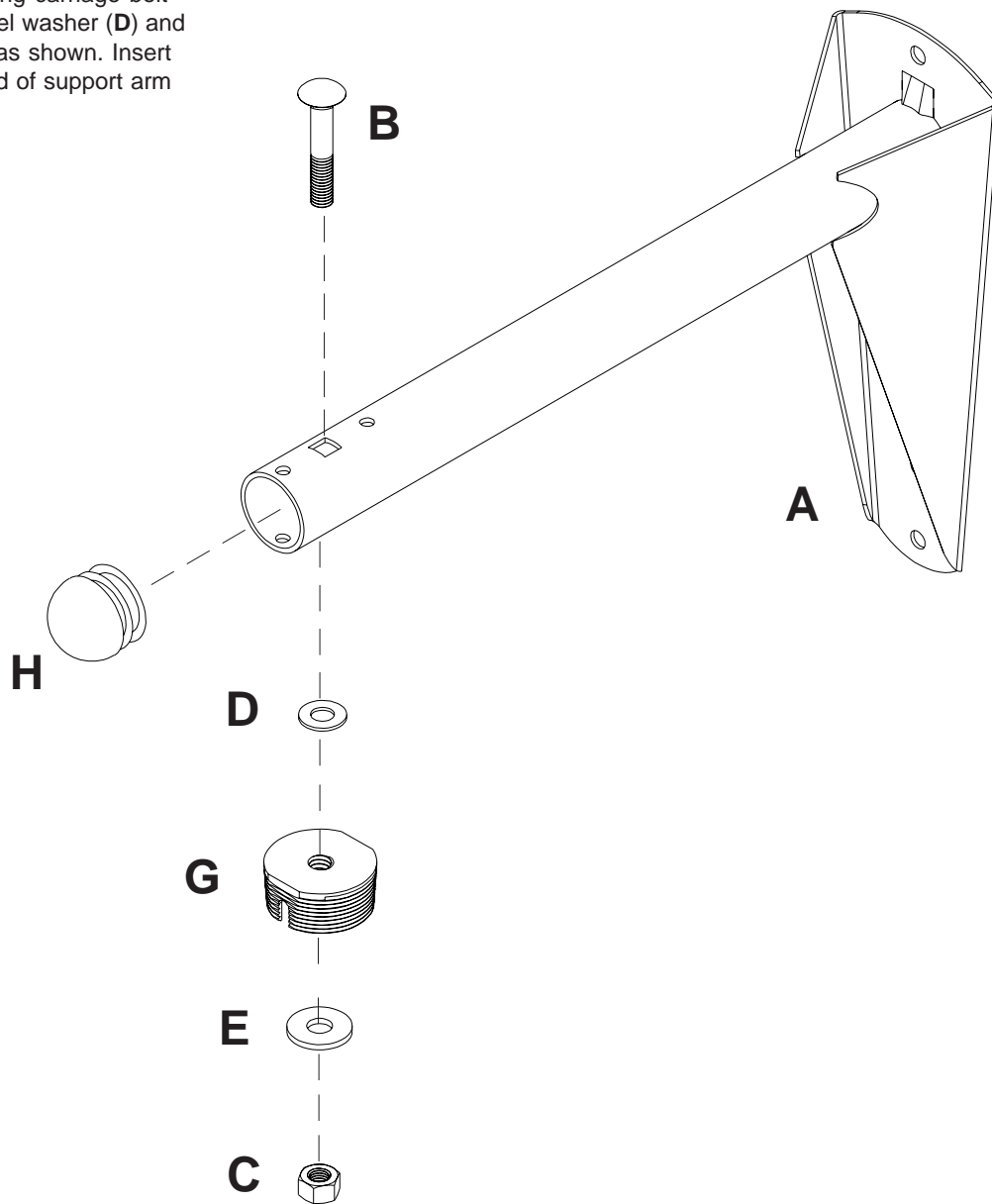
- To Wood Stud Walls..... step 2, page 3
- To Concrete Walls.....step 3, page 4
- To Metal Stud Walls.....step 4, page 5

Parts List				
Model #		PWA-14	PWA-14S	PWA-14W
Description	Qty.	Part #	Part #	Part #
A support arm	1	017-1019	017-4019	017-2019
B carriage bolt	1	580-1022	580-2022	580-2022
C M10 locknut	1	530-9402	530-9404	530-9404
D M10 steel washer	1	540-9407	540-9470	540-9470
E M10 bronze washer	1	540-9441	540-9441	540-9441
F #14 x 2.5 phillips wood screw	2	5S1-015-C03	5S1-015-C04	5S1-015-C04
G threaded rod adapter	1	580-1021	580-2021	580-2021
H end cap	1	590-1014	590-4014	590-1001

Some parts may appear slightly different than illustrated.



- 1** Attach threaded rod adapter (G) to support arm (A) using carriage bolt (B), locknut (C), steel washer (D) and bronze washer (E) as shown. Insert end cap (H) into end of support arm (A) as shown.

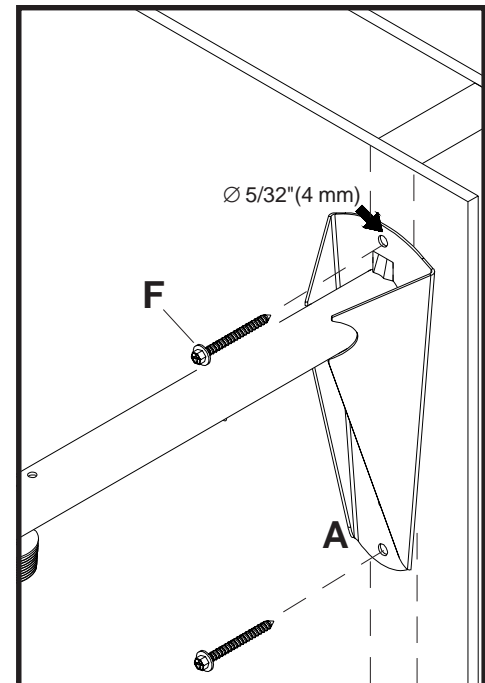
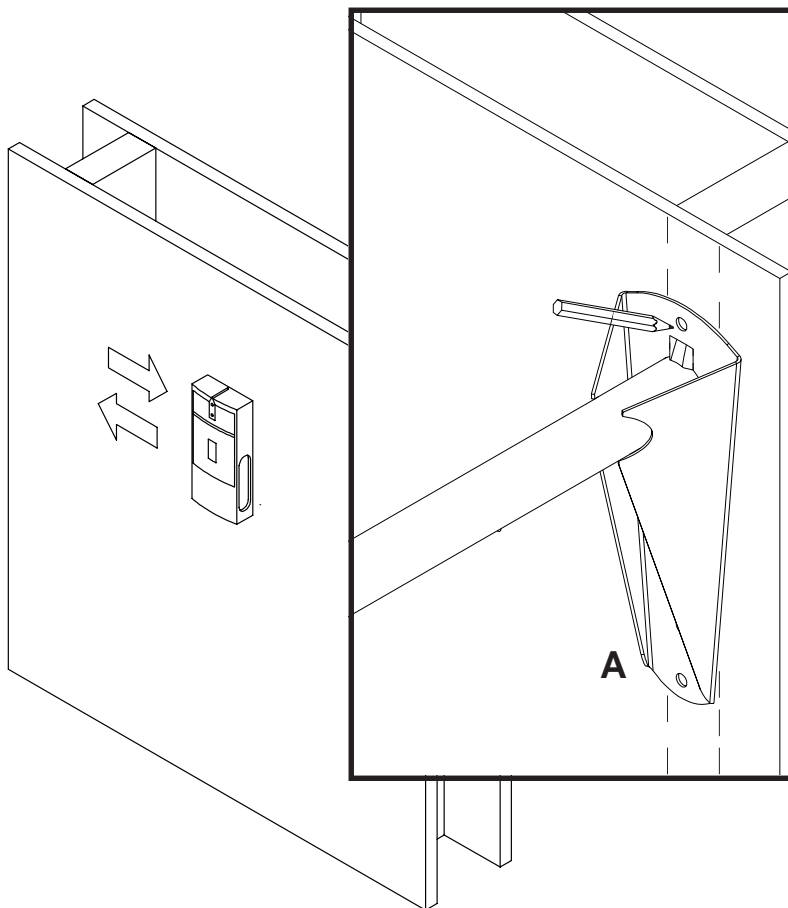
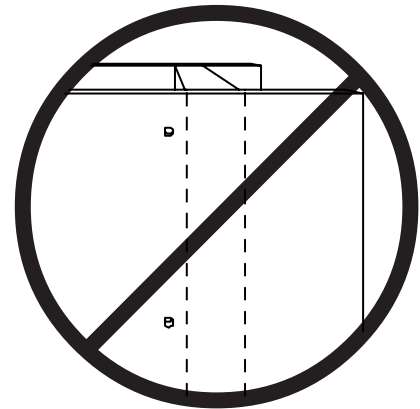
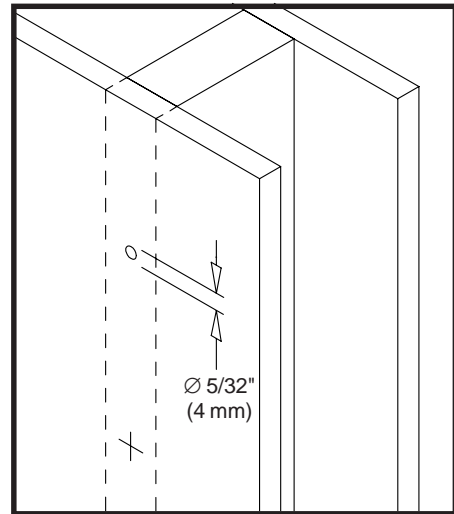


Installation to a wood stud wall

- 2** Drill two $\frac{5}{32}$ " (4 mm) dia. holes 2 $\frac{1}{2}$ " (65 mm) deep. Attach wall arm (A) with #14 x 2.5" (6 mm x 65 mm) wood screws (F).

⚠ WARNING

- Tighten wood screws so that wall plate is firmly attached, but do not overtighten. Overtightening can damage the screws, greatly reducing their holding power.
- Never tighten in excess of 80 in • lb (9 N.M.).
- Make sure that mounting screws are anchored into the center of the studs. The use of an "edge to edge" stud finder is highly recommended.



Installation to a concrete wall

⚠ WARNING

- When installing Peerless wall mounts on cinder block, verify that you have a minimum of 1-3/8" of actual concrete surface in the hole to be used for the concrete anchors. Do not drill into mortar joints! Be sure to mount in a solid part of the block, generally 1" minimum from the side of the block. Cinder block must meet ASTM C-90 specifications. It is suggested that a standard electric drill on slow setting is used to drill the hole instead of a hammer drill to avoid breaking out the back of the hole when entering a void or cavity.
- Concrete must be 2000 psi density minimum. Lighter density concrete may not hold concrete anchor.
- Make sure that the wall will safely support four times the combined load of the equipment and all attached hardware and components.

- 3** Drill two 1/4" (6 mm) dia. holes to a minimum depth of 2.5" (64 mm). Attach support arm (A) using concrete anchors (call customer service to order accessory kit **ACC 200** or **ACC203**) and #14 x 2.5" wood screws (F) as shown in **Illustration A** and 1, 2, and 3. Tighten all fasteners.

⚠ WARNING

- Tighten wood screws firmly, but do not overtighten. Overtightening can damage the screws, greatly reducing their holding power.
- Never tighten in excess of 80 in • lb (9 N.M.).

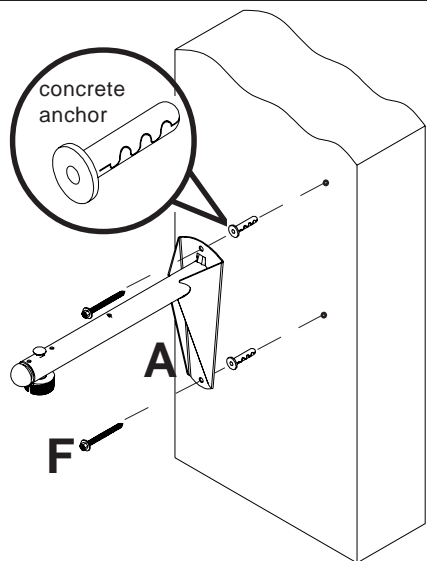
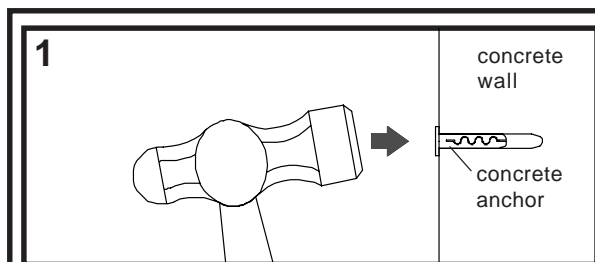


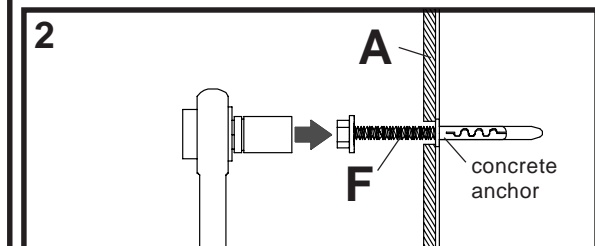
Illustration A

⚠ WARNING

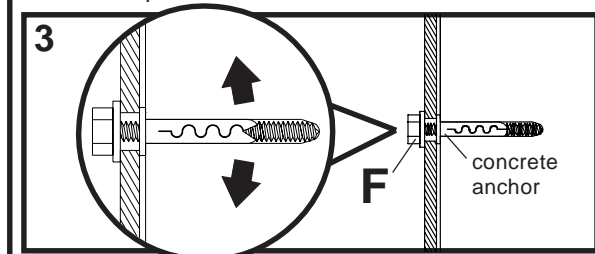
- Concrete anchors are **not** intended for attachment to concrete wall covered with a layer of plaster, drywall, or other finishing material. If mounting to concrete wall covered with plaster/drywall is unavoidable, plaster/drywall (up to 5/8" thick) must be counterbored as shown right. If plaster/drywall is thicker than 5/8", custom fasteners must be supplied by installer.



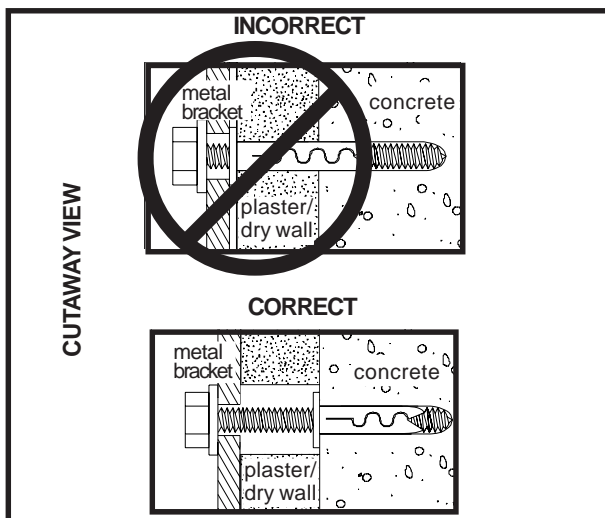
Drill hole and insert anchor



Place wall plate over anchor and secure with screw



After repeating step one tighten all fasteners



Installation to a metal stud wall

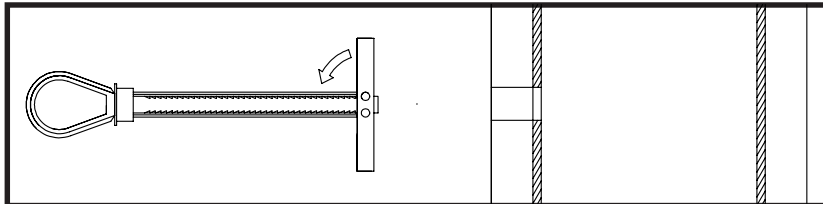
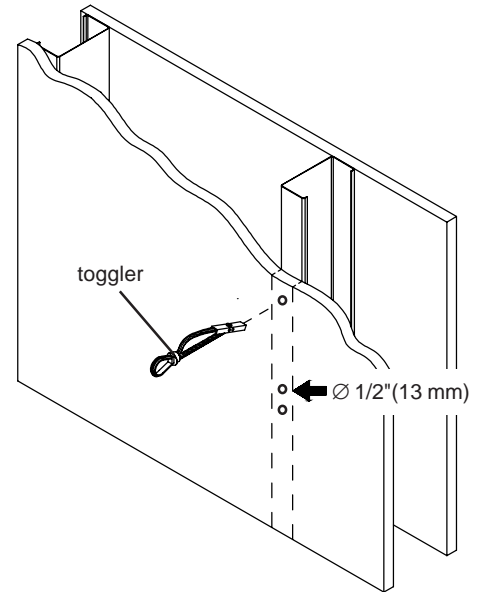
⚠ WARNING

- Product must be mounted through drywall that has a minimum thickness of 1/2" and into metal studs, 26 gauge or heavier.

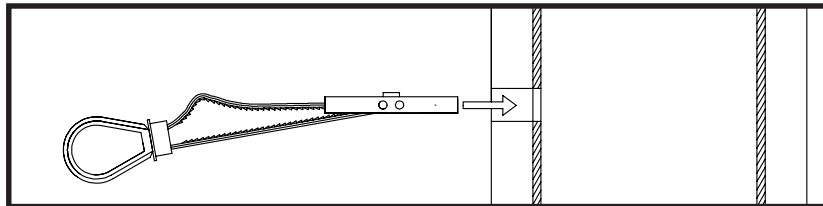
4

Drill 1/2" (13 mm) dia. holes through drywall and stud. Insert togglers (call customer service to order accessory kit **ACC 415**) as follows.

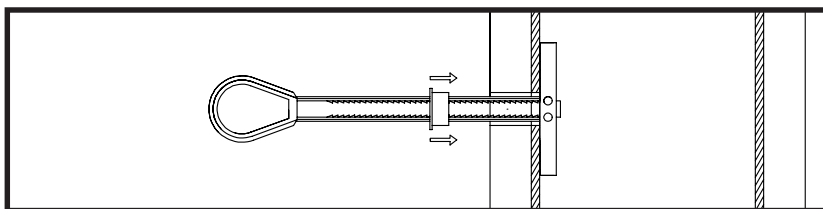
Important: Product must be mounted through drywall that has a minimum thickness of 1/2" and into metal studs, 26 gauge or heavier.



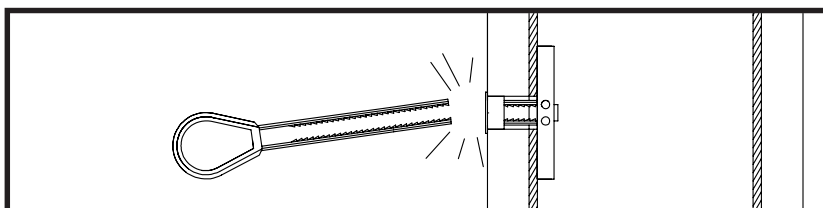
Pivot end of toggler.



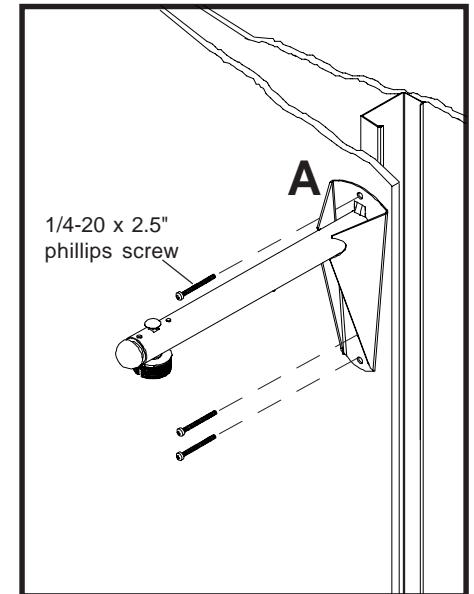
Push into hole.



Slide plastic cap forward while pulling back firmly on ring.



Snap off as shown.

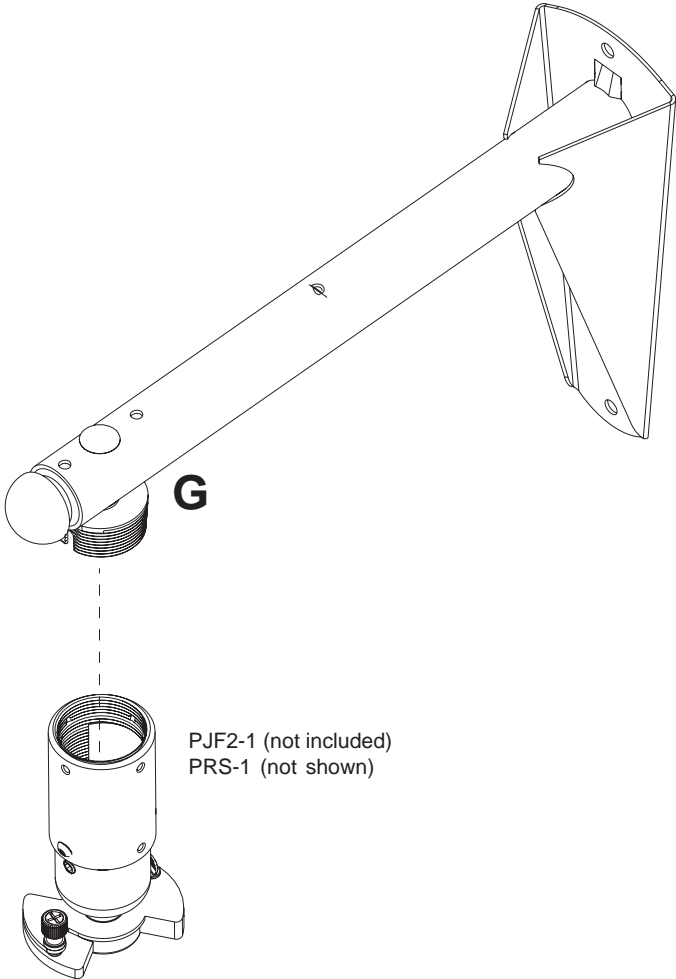


Attach wall arm with 1/4-20 phillips screws.

5

Thread projector mount onto threaded rod adapter (G) as shown. Note: Make sure the notch in threaded rod adapter (G) is aligned with one of the four holes at the top of the PJF2-1.

Note: Installation of PRS-1 not shown. Please refer to PRS model instructions to attach PRS mount to PWA-14.



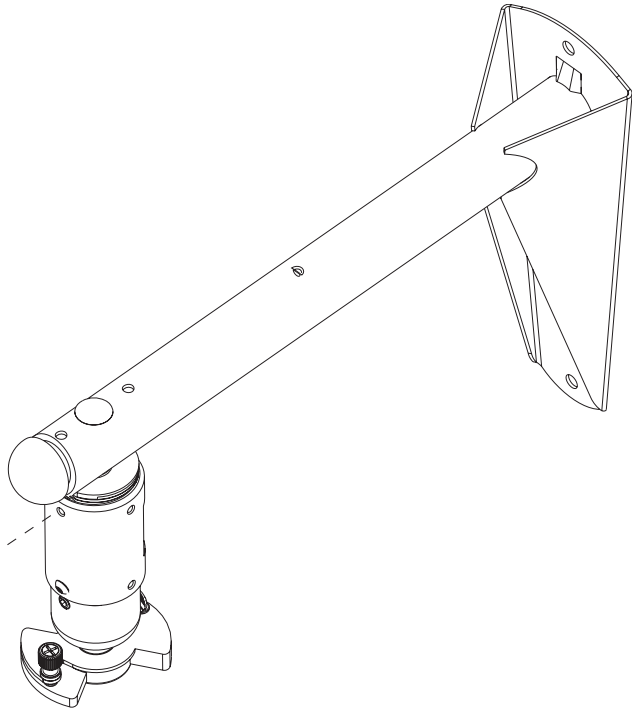
PJF2-1 (not included)
PRS-1 (not shown)

6

Secure PJF2-1 to threaded rod adapter (G) with one #10-32 x 3/8 socket pin screw provided with PJF2-1

Note: Installation PRS-1 not shown. Please refer to PRS model instructions to attach PRS mount to PWA-14.

#10-32 x 3/8 socket pin screw



Refer to PJF2-1 or PRS-1 model instructions for attachment of projector.

Free Manuals Download Website

<http://myh66.com>

<http://usermanuals.us>

<http://www.somanuals.com>

<http://www.4manuals.cc>

<http://www.manual-lib.com>

<http://www.404manual.com>

<http://www.luxmanual.com>

<http://aubethermostatmanual.com>

Golf course search by state

<http://golfingnear.com>

Email search by domain

<http://emailbydomain.com>

Auto manuals search

<http://auto.somanuals.com>

TV manuals search

<http://tv.somanuals.com>