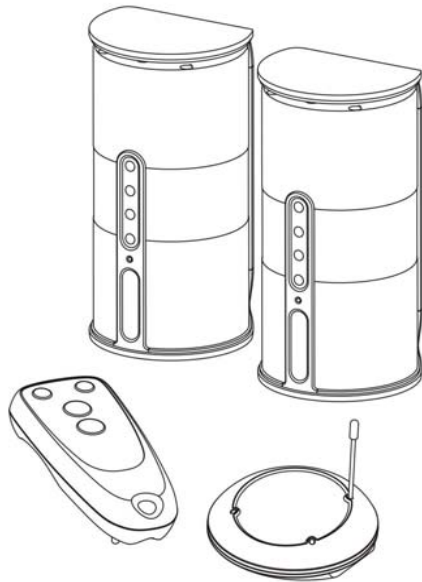




## 900MHz Digital Hybrid Wireless Outdoor Speakers with Remote



### User's Manual

#### INTRODUCTION

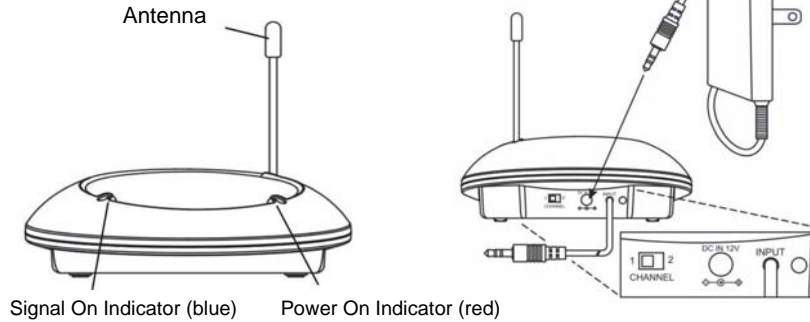
This 900 MHz digital hybrid wireless speaker system uses latest wireless technology that enables you to enjoy music and TV sound anywhere inside or outside your home. You can simply connect the system to any audio source such as Radio, TV, VCR, Hi-Fi and CD/MP3/VCD/DVD player. Without complicated wiring and installation with your Audio/Video equipment and rear channel amplifier, the system enables you to enjoy thrilling, lifelike sound in minutes.

#### FEATURES

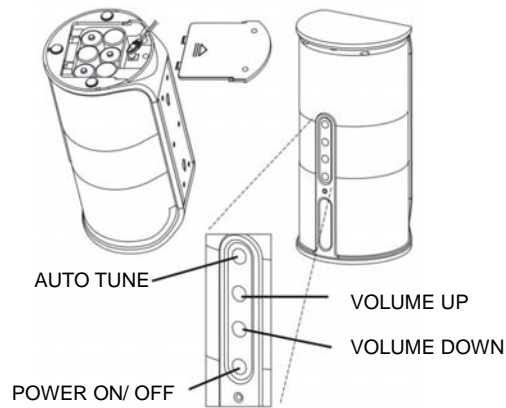
1. Weatherproof indoor and outdoor speakers.
2. Automatic Phases Lock Loop (PLL) scanning system on speaker receivers
3. Phase Lock Loop (PLL) transmission system on transmitter
4. 900 MHz Digital Hybrid RF technology speaker system.
5. RF technology lets you roam freely throughout your house and garden.
6. Operating distance up to 150 feet.
7. No line of sight limitation.
8. Virtually interference free audio quality.
9. Auto ON/OFF control.
10. Auto tuning function.
11. Wireless remote control unit: Independently controls each speaker
  - Volume up/down
  - Power on/off
12. Wall-mountable.
13. 2-way speakers.

## COMPONENT IDENTIFICATION

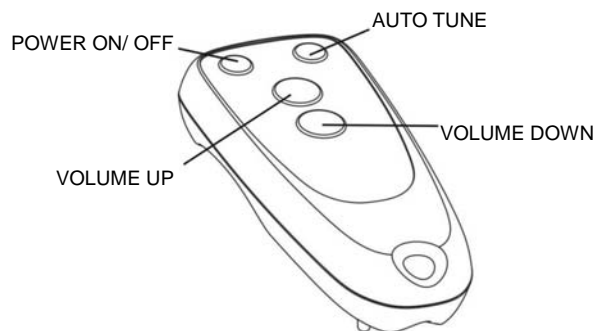
### TRANSMITTER



### SPEAKER RECEIVERS



### REMOTE CONTROL



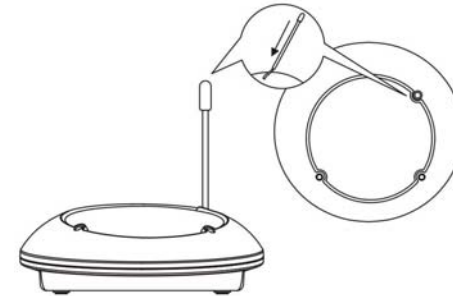
P.2

VOLUME UP

## INSTALLATION

### TRANSMITTER

1. Insert the antenna tube into the antenna wire.



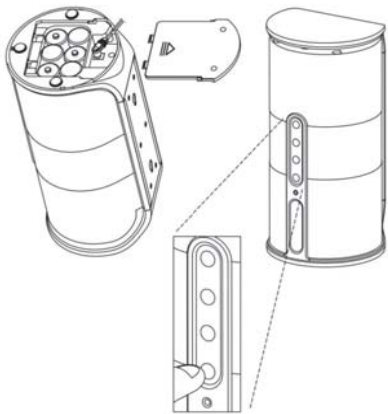
2. Connect the supplied AC/DC power adaptor to an electrical wall outlet.
3. Plug the AC/DC power adaptor in the DC jack located on the rear of the transmitter.
4. When the AC adapter is plugged in, the red POWER LED illuminates. If the red POWER LED does not illuminate, make sure the adapter is plugged in.
5. The rear of the transmitter has one audio cord that can be connected to audio output jack of TV, Monitor, VCR, Radio recorder, CD/MP3/VCD/DVD players or to headphone/earphone jack with the connector provided.

When the transmitter receives an audio signal, the blue SIGNAL LED and the red POWER LED will illuminate together. If the blue SIGNAL LED does not illuminate, ensure the audio source is turned on.

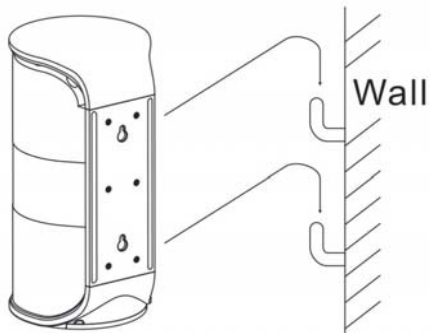
### SPEAKER RECEIVERS

1. Insert 6 'C' cell alkaline batteries into the battery compartment with correct polarity at the bottom of each speaker (batteries not included in the package) or connect the 9V power adaptor to the DC input jack on the bottom of each speaker, then plug it to the wall AC outlet.

P.3



2. Press On/Off button and turn the speakers ON. The POWER LED will light up in Blue. Switch off the speakers by pressing the ON/OFF button on the speakers or on the remote control unit, and the LED will be off.
3. To suit the needs of different users, these speakers are designed for wall mounting. There are two holes at the back of each speaker for you to hang them on the wall.

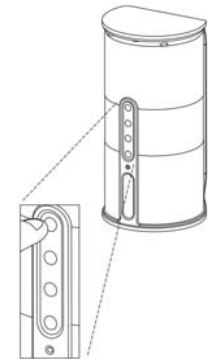


#### REMOTE CONTROL UNIT

1. Remove the battery cover at the rear of the remote control unit and insert 2 "AAA" size batteries (not included) into the battery compartment with the correct polarity.
2. Place back the cover and close the battery compartment.

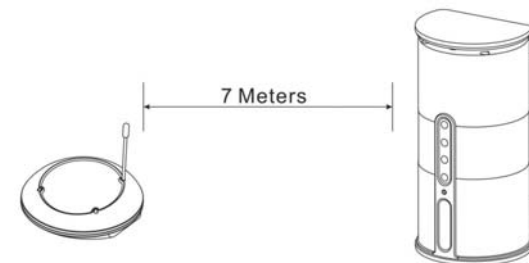
#### OPERATION

1. Turn on the audio source (TV or audio component) to which the transmitter is connected with. The blue signal LED on the transmitter will light up.
2. Select the channel 1 or 2 of the transmitter for best performance in your location.
3. Turn on the ON/OFF button on the speakers (the ON/OFF button on the remote control unit cannot be used as a primary device to switch on the speakers). Press the "AUTO TUNE" button to get the best tuning reception in the speakers. When the button is pressed, frequency tuning starts automatically and it stops when a signal is detected. Tuning process can also be activated by pressing the "AUTO TUNE" button on the remote control unit.
4. Volume can be adjusted up by pressing "+" button or down by pressing the button "-" to the desired listening level, or you can press the "+" button or "-" button" on the remote control unit to adjust the volume level.

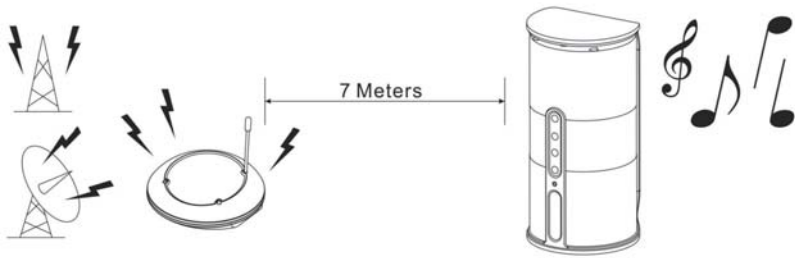


#### NOTE :

- a) Keep the speakers up to 7 meters apart from the transmitter, and then press "AUTO TUNE" button for the best reception.



- b) Whenever you find frequency jam, move your channel switch from one channel to the other channel (there are two channels for selection) on the transmitter, and then press the "AUTO-TUNE" button again.



5. Your speakers are now portable and can be carried freely from room to room, without disruption. Should you encounter any sound distortion (signal cuts off or carries distortion), press the speaker's "AUTO TUNE" button to maximize the best reception.

If you hear interference from other components, switch on the channel control of transmitter, and then move the speakers to another location. You can re-adjust the tuning control by changing it to either channel 1 or 2 on the transmitter and by then pressing the "AUTO TUNE" button, for best reception.

When transmitting / receiving over long distances, the signal from the system will become weaker.

#### 6. Switching Off

- a) To protect the transmitter and save power, the transmitter will cut out automatically if it detects that the unit is not being operated or, there is weak reception from the signal audio source, for 4 minutes.

In other words, if the signal comes back, the transmitter will work again automatically.

- b) Press the ON/OFF button to turn off the speakers and the LED light will

then turn off, or simply press the ON/OFF button on the remote control unit.

If you use the remote control unit to turn off the speakers, the speakers will be at stand-by mode for 5 minutes and the LED will change from blue to yellow. You can switch on the speakers again by using the remote control unit during the stand-by time. If there is no signal from the remote control unit in 5 minutes, the speakers will automatically power off.

#### **WARNING:**

**The Power adapters are for indoor use only.** If it is wet outside or raining, you can continue to operate your speakers via batteries. Please move the adapters out of the rain by removing them and placing them in a safe dry place.

**This device must be used with the AC/DC adapters supplied within the package.**

## **TROUBLE SHOOTING**

### **NO SOUND**

- Ensure the AC/DC adaptor is fully inserted into the AC outlet and the power connection input on the transmitter.
- Ensure the speakers are switch ON.
- Speaker's battery capacity is too low, replace with new batteries or connect the AC/DC adaptors to the speakers.
- Ensure the TV or audio component is ON.
- The connected audio / video equipment is not playing. Start playing the equipment.
- The volume of speakers is too low, adjust the volume to an appropriate level.

### **DISTORTED**

- Press the "AUTO-TUNE" button on the speakers until matching the frequency of the transmitter.
- Change the position of the channel selector on the transmitter. You must then press the "AUTO TUNE" button on the speakers.
- Battery capacity is too low. Replace with the new battery.
- Ensure the volume level of speakers is adjusted properly.
- The speakers are too far away from the transmitter, move it closer.
- The input level of the audio signal is too low. Turn up the volume of the audio source equipment.

## **TECHNICAL SPECIFICATIONS**

Transmission Mode	:	UHF
Carrier Frequency	:	900 MHz Digital Hybrid
Operation Voltage	:	Transmitter, DC 12V 150mA Speakers, 6 X 'C' size Alkaline batteries or DC 9V 1A adaptor Remote Control Unit, 2 X 'AAA' size batteries
Frequency Response	:	40Hz – 12KHz
Distortion	:	1%
S/N Ratio	:	65dB (typical)
Operation Distance	:	Up to 150 feet
Speakers	:	2-way
Output Power	:	2 x 5Watts

**NOTE:** This equipment has been tested and found to comply with the limits of a Class B digital device, pursuant to Part 15 of the FCC Rules. These limits are designed to provide reasonable protection against harmful interference in a residential installation. This equipment generates, uses and can radiate radio frequency energy and, if not installed and used in accordance with the instructions, may cause harmful interference to radio communications. However, there is no guarantee that interference will not occur in a particular installation. If this equipment does cause harmful interference to radio or television reception, which can be determined by turning the equipment off and on, the user is encouraged to try to correct the interference by one or more of the following measures:

- Reorient or relocate the receiving antenna.
- Increase the separation between the equipment and receiver.
- Connect the equipment into an outlet on a circuit different from that to which the receiver is connected.
- Consult the dealer or an experienced radio/TV technician for help.

Changes or modifications not expressly approved by the party responsible for compliance could void the user's authority to operate the equipment.

[www.velocity-audio.com](http://www.velocity-audio.com)

## Free Manuals Download Website

<http://myh66.com>

<http://usermanuals.us>

<http://www.somanuals.com>

<http://www.4manuals.cc>

<http://www.manual-lib.com>

<http://www.404manual.com>

<http://www.luxmanual.com>

<http://aubethermostatmanual.com>

Golf course search by state

<http://golfingnear.com>

Email search by domain

<http://emailbydomain.com>

Auto manuals search

<http://auto.somanuals.com>

TV manuals search

<http://tv.somanuals.com>