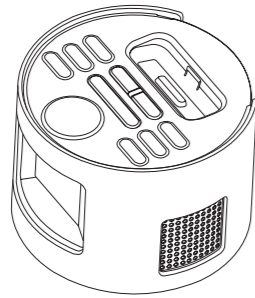


Clock Radio for iPhone and iPod

Model No.: iP873



User's Guide

SAFETY PRECAUTIONS



WARNING: SHOCK HAZARD - DO NOT OPEN
AVIS: RISQUE DE CHOC ÉLECTRIQUE - NE PAS OUVRIR
 * SEE GRAPHIC SYMBOLS ON THE BOTTOM OF UNIT *



The lightning flash with an arrowhead symbol, within the equilateral triangle, is intended to alert the user to the presence of uninsulated "dangerous voltage" within the product's enclosure that may be of sufficient magnitude to cause an electric shock.



The exclamation point within the equilateral triangle is intended to alert the user to the presence of important operating and maintenance (servicing) instructions in this owner's guide.

FCC Information

This device complies with Part 15 of the FCC rules. Operation is subject to the following two conditions:
 (1) This device may not cause harmful interference, and (2) This device must accept any interference received, including interference that may cause undesired operation.

NOTE: This equipment has been tested and found to comply with the limits for a Class B digital device, pursuant to part 15 of the FCC Rules. These limits are designed to provide reasonable protection against harmful interference in a residential installation. This equipment generates, uses, and can radiate radio frequency energy and, if not installed and used in accordance with the instructions, may cause harmful interference to radio communications. However, there is no guarantee that interference will not occur in a particular installation. If this equipment does cause harmful interference to radio or television reception, which can be determined by turning the equipment off and on, the user is encouraged to try to correct the interference by one or more of the following measures:

- Reorient or relocate the receiving antenna.
- Increase the separation between the equipment and receiver.
- Connect the equipment into an outlet on a circuit different from that to which the receiver is connected.
- Consult the dealer or an experienced radio/TV technician for help.

WARNING: Changes or modifications to this unit not expressly approved by the party responsible for compliance could void the user's authority to operate the equipment.

This Class B digital apparatus complies with Canadian ICES-003.

Cet appareil numérique de la classe B est conforme à la norme NMB-003 du Canada.

Warnings:

- To reduce the risk of fire or electric shock, do not expose this apparatus to rain or moisture.
- The AC adapter is used as disconnect device and it should remain readily operable during intended use. In order to disconnect the apparatus from the mains completely, the AC adapter should be disconnected from the mains socket outlet completely.
- Minimum 10 cm (4 inches) distances around the apparatus for sufficient ventilation.
- Batteries shall not be exposed to excessive heat such as sunshine, fire or the like.
- The ventilation should not be impeded by covering the ventilation openings with items such as newspaper, table-cloths, curtains, etc.
- No naked flame sources such as lighted candles should be placed on the apparatus.
- The apparatus and AC adapter shall not be exposed to dripping or splashing and that no objects filled with liquids, such as vases, shall be placed on apparatus and AC adapter.

On Operation

Do not turn up the volume while listening to your iPod with no audio signals or very low level inputs. If you do so, the speakers may be damaged when the peak level of the sound is played.

On Use

Never use the unit where it would be subject to:

- Heat sources such as radiators or air ducts.
- Direct sunlight.
- Excessive dust.
- Moisture or rain.
- Mechanical vibration or shock.
- Uneven surface.

- Do not place any heavy objects on top of the unit.
- When the unit is used with an AC power adapter, do not wrap the unit in a cloth, blanket, etc.. If you do so, the temperature inside and outside the unit may rise considerably, resulting in malfunctioning of the unit.
- If the unit is brought directly from a cold to a warm location, or is placed in a very damp room, the moisture may condense on the lens inside the unit. Should this occur, the unit will not operate. In this case, remove the disc and leave the unit in a warm place for several hours until the moisture evaporates.
- For the unit to operate at its best, it should not be subject to temperatures below 41°F (5°C) or above 95°F (35°C).



This symbol indicates that this product incorporates double insulation between the hazardous mains voltage and user accessible parts.

IMPORTANT SAFETY INSTRUCTIONS

1. Read these instructions.
2. Keep these instructions.
3. Heed all warnings.
4. Follow all instructions.
5. Do not use this apparatus near water.
6. Clean only with dry cloth.
7. Do not block any ventilation openings. Install in accordance with the manufacturer's instructions.
8. Do not install near any heat sources such as radiators, heat registers, stoves, or other apparatus (including amplifiers) that produce heat.
9. Do not defeat the safety purpose of the polarized or grounding-type plug. A polarized plug has two blades with one wider than the other. A grounding type plug has two blades and a third grounding prong. The wide blade or the third prong are provided for your safety. If the provided plug does not fit into your outlet, consult an electrician for replacement of the obsolete outlet.
10. Protect the power cord from being walked on or pinched particularly at plugs, convenience receptacles, and the point where they exit from the apparatus.
11. Only use attachments/accessories specified by the manufacturer.
12. Use only with a cart, stand, tripod, bracket, or table specified by the manufacturer, or sold with the apparatus. When a cart is used, use caution when moving the cart/apparatus combination to avoid injury from tip-over.
13. Unplug this apparatus during lightning storms or when unused for a long period of time.
14. Refer all servicing to qualified service personnel. Servicing is required when the apparatus has been damaged in any way, such as the power-supply cord or plug is damaged, liquid has spilled or objects have fallen into the apparatus, the apparatus has been exposed to rain or moisture, does not operate normally, or has been dropped.

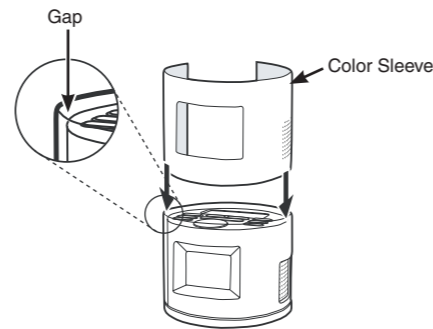


Portable Cart Warning

REPLACING COLOR SLEEVE

You can change the appearance of your product by using one of the color sleeves (supplied with the product). Choose the sleeve you prefer, then follow the below steps to replace it.

1. Put the color sleeve into the gap between the transparent case and the unit.
2. Then adjust the sleeve gently as shown until the speaker holes in the sleeve align with the unit's speaker holes.

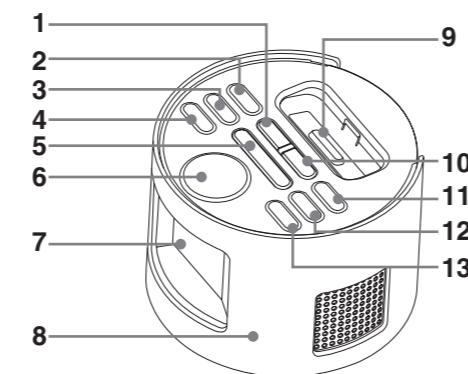


Notes:

- Before adding a new sleeve, please remove the old sleeve.
- Make sure the speaker holes in the color sleeve match with the unit's speaker holes.

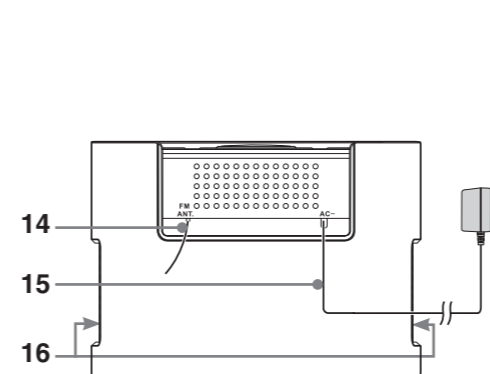
LOCATION OF CONTROLS

Front View



1. **◀▶ HOUR/ RADIO TUNING** ⊖ Button
2. **ALM 1** (Alarm 1) Button
3. **TIME/Fn** (Function) Button
4. **⏻/⏻** (Standby/On) Button
5. **- VOLUME +** Buttons
6. **PRESET/SNOOZE** button
7. Display
8. Transparent Case

Rear View

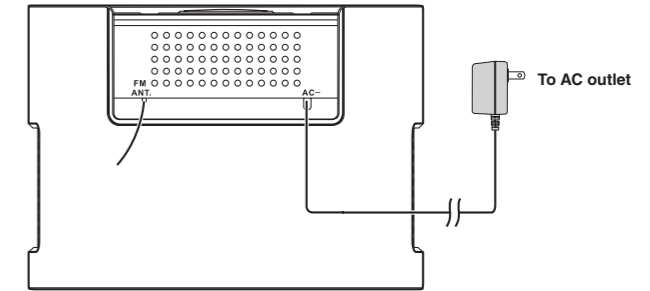


9. iPod Dock
10. **MIN • ▶▶▶** / **RADIO TUNING** ⊕ Button
11. **ALM 2** (Alarm 1) Button
12. **SLEEP** Button
13. **▶▶▶** (Play/Pause)/**MEM** Button
14. FM ANT. (FM Antenna)
15. AC Power Adapter
16. Speakers

POWER SUPPLY

Using the AC Adapter

This AC adapter operates on AC 120V ~ 60Hz.



CAUTIONS:

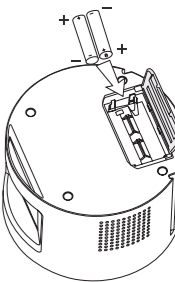
- Before use, make sure the rated voltage of the adapter matches your local voltage.
- If you are not going to use the unit for a long time, disconnect the AC adapter from the wall outlet.
- Whenever the AC adapter is plugged in to a wall outlet, electricity is running through the unit, even when the power button on the unit is turned off.

Power Back-Up During Power Interruption

Before inserting batteries, you need to plug the AC adapter in to a wall outlet. Open the battery door at the bottom of the unit and insert two "AA size" batteries into the battery compartment.

We recommend you install two "AA size" batteries (not included) for the power back-up function. If the AC power supply is interrupted, the batteries supply power to keep the clock operating and the alarm times set.

- During power interruption, the clock function is still maintained. The alarm sound will not come on.
- These batteries are for clock operation and alarm memory during power interruption. You can not listen to the radio/iPod using battery power.



When to Replace the Batteries

To check the batteries' condition, unplug the AC adapter from the wall outlet and plug it in again after a few minutes. If the displayed time is incorrect, replace the batteries with new ones.

WARNINGS:

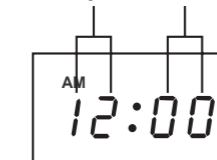
- Danger of explosion if batteries are incorrectly replaced. Replace only with the same or equivalent type.
- Be sure to install the batteries before unplugging the AC adapter.
- When the unit is going to be left unplugged for a long time, remove the batteries to avoid undue battery discharge and unit damage from battery leakage.
- Do not dispose of battery in a fire; battery may explode or leak.
- Do not mix old and new batteries.
- Do not mix alkaline, standard (carbon-zinc), or rechargeable (ni-cad, ni-mh, etc) batteries.

CAUTION: When discarding batteries, environmental problems must be considered and local rules or laws governing the disposal of these batteries must be strictly followed.

CLOCK SETTING

Setting the clock can only be done in STANDBY mode.

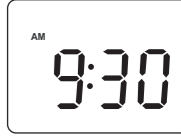
TIME DISPLAY INDICATOR
 Hour Digits Minute Digits



1. Press the **TIME/Fn** button, the hour and minute digits blink.
2. Press the **HOUR** button to adjust the hour digits.
3. Press the **MIN** button to adjust the desired minutes then press the **TIME/Fn** button once to confirm.

Notes:

- "PM" is displayed between 12 noon and midnight. 12:00 PM=Noon.
- In RADIO/iPod mode, the current time is always shown on the display.



Free Manuals Download Website

<http://myh66.com>

<http://usermanuals.us>

<http://www.somanuals.com>

<http://www.4manuals.cc>

<http://www.manual-lib.com>

<http://www.404manual.com>

<http://www.luxmanual.com>

<http://aubethermostatmanual.com>

Golf course search by state

<http://golfingnear.com>

Email search by domain

<http://emailbydomain.com>

Auto manuals search

<http://auto.somanuals.com>

TV manuals search

<http://tv.somanuals.com>