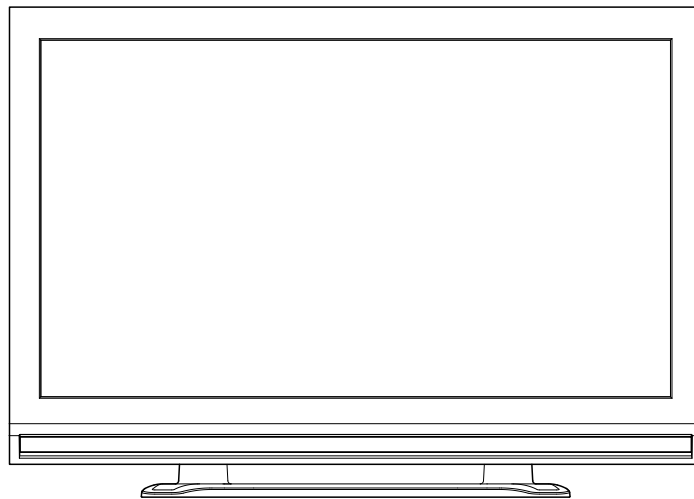




VENTURER

PDV28420C

42" Plasma TV




Owner's Manual




811-284291W021
Printed in China

SAFETY PRECAUTIONS



 The lightning flash with arrowhead symbol, within an equilateral triangle, is intended to alert the user to the presence of uninsulated "dangerous voltage" within the product's enclosure that may be of sufficient magnitude to constitute a risk of electric shock to persons.

 The exclamation point within an equilateral triangle is intended to alert the user to the presence of important operating and maintenance (servicing) instructions in the literature accompanying the appliance.

CAUTION

- DANGER OF EXPLOSION IF BATTERY IS INCORRECTLY REPLACED. REPLACE ONLY WITH THE SAME OR EQUIVALENT TYPE.
- **TO PREVENT ELECTRIC SHOCK, MATCH WIDE BLADE OF PLUG TO WIDE SLOT OF WALL OUTLET, THEN FULLY INSERT.**
- USE OF CONTROLS OR ADJUSTMENTS OR PERFORMANCE OF PROCEDURES OTHER THAN THOSE SPECIFIED MAY RESULT IN HAZARDOUS RADIATION EXPOSURE.



WARNING :

- TO PREVENT FIRE OR SHOCK HAZARD, DO NOT EXPOSE THIS UNIT TO RAIN OR MOISTURE. DO NOT PLACE OBJECTS FILLED WITH LIQUIDS ON OR NEAR THIS UNIT.
- SHOULD ANY TROUBLE OCCUR, DISCONNECT THE AC POWER CORD AND REFER SERVICING TO A QUALIFIED TECHNICIAN.



WARNING: Changes or modifications to this unit not expressly approved by party responsible for compliance could void the user authority to operate the unit.

PLACEMENT INFORMATION

- Do not use this unit in places which are extremely hot, cold, dusty or humid.
- Do not restrict the air flow of this unit by placing it somewhere with poor air flow, by covering it with a cloth, or by placing it on bedding or carpeting.

SAFETY INFORMATION

- When connecting or disconnecting the AC power cord, grip the plug and not the cord itself. Pulling the cord may damage it and create a hazard.
- When you are not going to use the unit for a long period of time, disconnect the AC power cord.

CONDENSATION INFORMATION

- When left in a heated room where it is warm and damp, water droplets or condensation may form inside the equipment. When there is condensation inside the unit, the unit may not function normally. Let the unit stand for 1-2 hours before turning the power on or gradually heat the room and allow the unit to dry before use.

RATING PLATE LOCATION

The rating plate is located on the rear of the unit.

FCC STATEMENTS

NOTE: This unit has been tested and found to comply with the limits for a Class B digital device, pursuant to Part 15 of the FCC Rules. These limits are designed to provide reasonable protection against harmful interference in a residential installation. This unit generates, uses and can radiate radio frequency energy and, if not installed and used in accordance with the instructions, may cause harmful interference to radio communication. However, there is no guarantee that interference will not occur in a particular installation. If this unit does cause harmful interference to radio or television reception, which can be determined by turning the unit off and on, the user is encouraged to try to correct the interference by one or more of the following measures:

- Reorient or relocate the receiving antenna.
- Increase the separation between the unit and receiver.
- Connect the unit into an outlet on a circuit different from that to which the receiver is connected.
- Consult the dealer or an experienced radio/TV technician for help.

IMPORTANT SAFETY INSTRUCTIONS

- 1) Read these instructions.
- 2) Keep these instructions.
- 3) Heed all warnings.
- 4) Follow all instructions.
- 5) Do not use this apparatus near water.
- 6) Clean only with a dry cloth.
- 7) Do not block any ventilation openings. Install in accordance with the manufacturer's instructions.
- 8) Do not install near any heat sources such as radiators, heat registers, stoves or other apparatus (Including amplifiers) that produce heat.
- 9) Do not defect the safety purpose of the polarized or grounding-type plug. A polarized plug has two blades with one wider than the other. A grounding type plug has two blades and a third grounding prong. The wide blade or the third prong is provided for your safety. If the provided plug does not fit into your wall outlet, consult an electrician for replacement of the obsolete outlet.
- 10) Protect the AC power cord from being walked on or pinched particularly at plugs, convenience receptacles and the point where they exit from the apparatus.
- 11) Only use attachments / accessories specified by the manufacturer.
- 12) Use only with a cart, stand, tripod, bracket, or table specified by the manufacturer, or sold with the apparatus. When a cart is used, use caution when moving the cart / apparatus combination to avoid injury from tip-over.
- 13) Unplug this apparatus during lightning storms or when unused for long periods of time.
- 14) Refer all servicing to qualified service personnel. Servicing is required when the apparatus has been damaged in any way, such as the AC power cord or plug is damaged, liquid has spilled or objects have fallen into the apparatus, or the apparatus has been exposed to rain or moisture, does not operate normally, or has been dropped.

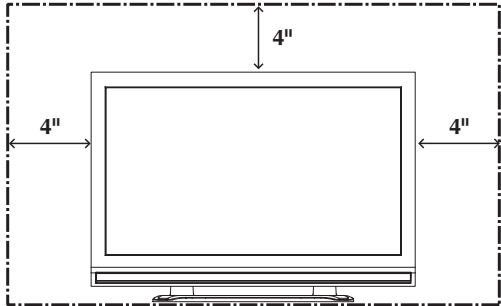


CONTENTS

| | |
|---|----------------|
| SAFETY PRECAUTIONS | 1 |
| IMPORTANT SAFETY INSTRUCTIONS | 2 |
| QUICK INSTALLATION | 4 |
| ACCESSORIES | 5 |
| GETTING STARTED | 5 |
| CONTROL REFERENCE GUIDE | 6 - 8 |
| CONNECTIONS | 9 - 13 |
| Connecting a Antenna / Cable / Satellite | 9 |
| Connecting an A / V Device | 9 |
| Connecting Devices with a Composite (Yellow RCA-Type) Video Output | 10 |
| Connecting Devices with a Composite (Yellow RCA-Type) Video Input | 10 |
| Connecting a High Definition (HD) Source Using HDMI Connection | 11 |
| Connecting a High Definition (HD) Source Using Component Connection | 11 |
| Connecting a PC | 12 |
| Connecting an Audio Amplifier | 12 |
| Connecting the AC Power Cord | 13 |
| USING HEADPHONES | 13 |
| INSTALLATION | 14 |
| Installing the Base Stand | 14 |
| Mounting on the Wall | 14 |
| TV SETUP | 15 - 21 |
| Video Menu | 15 |
| Audio Menu | 16 |
| TV Menu | 17 |
| Setup Menu | 18 - 19 |
| Parental Menu | 20 - 21 |
| TROUBLESHOOTING GUIDE | 22 |
| LIMITED WARRANTY | 23-24 |
| DIGITAL TELEVISION TRANSITION NOTICE | 25 |

QUICK INSTALLATION

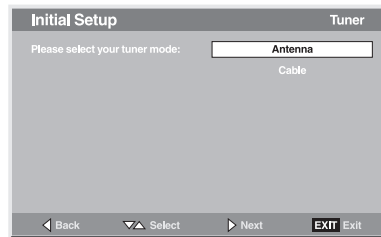
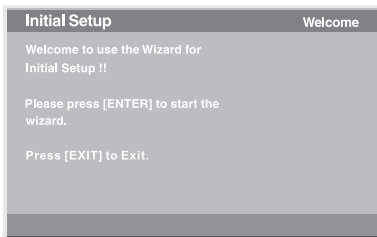
When you turn on your television set for the first time, be sure to place it on a solid stable surface. To avoid danger, do not expose the TV to water or a heat source (e.g. lamp, candle, radiator). Do not obstruct the ventilation grid at the rear and be sure to leave sufficient gaps around the unit as shown.



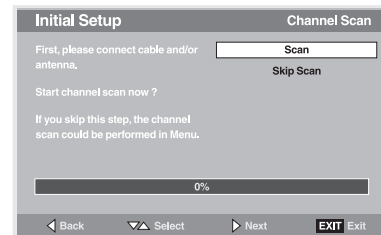
TURNING THE UNIT ON FOR THE FIRST TIME

The first time you turn the unit on, it will go directly to the setup mode. Simply follow the screen prompts as shown below to tune in the channels.

1. When the screen appears as below, press the **ENTER** button to start the wizard.
3. Use the **▲ / ▼** button to select the tuner mode and press the **ENTER** button to confirm.



2. Use the **▲ / ▼** button to move to different language, press the **ENTER** button to select the desired language.
4. Use the **▲ / ▼** button to select the scan mode and press the **ENTER** button to start scan. The system will automatically start to scan and preset all available stations.



5. After scanning has finished, the TV will display the first station stored.

ACCESSORIES

Please check and identify the supplied accessories.

- Remote Control (with batteries) x 1
- AC Power Cord x 1
- Screw for Base Stand x 4

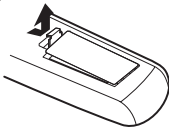
GETTING STARTED

USING THE REMOTE CONTROL

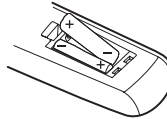
- Point the remote control at the remote sensor located on the unit.
- When there is a strong ambient light source, the performance of the infrared remote sensor may be degraded, causing unreliable operation.
- The recommended effective distance for remote operation is about 16 feet (5 meters).

TO INSTALL BATTERIES

1. Open the battery door.



2. Insert 2 "AAA" batteries.



BATTERY REPLACEMENT


When the batteries become weak, the operating distance of the remote control is greatly reduced and you will need to replace the batteries.

CAUTION:

Danger of explosion if battery is incorrectly replaced.

NOTES

- If the remote control is not going to be used for a long time, remove the batteries to avoid damage caused by battery leakage corrosion.
- Do not mix old and new batteries. Do not mix ALKALINE, standard (CARBON-ZINC) or rechargeable (NICKEL-CADMIUM) batteries.
- Always remove batteries as soon as they become weak.
- Weak batteries can leak and severely damage the remote control.
- **WARNING :** Do not dispose of batteries in a fire. Batteries may explode or leak.

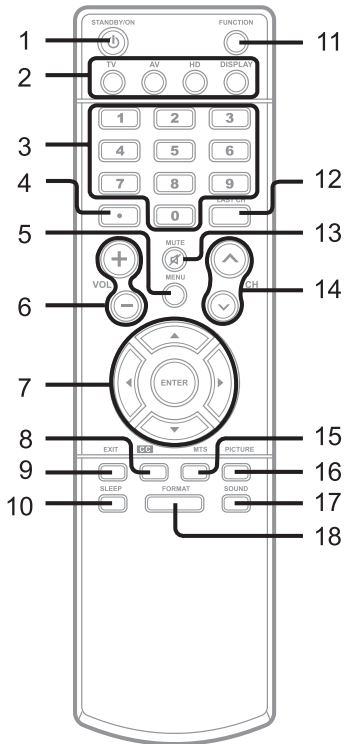
 **WARNING :** Battery shall not be exposed to excessive heat such as sunshine, fire or the like.


Many universal remote controls have a "learning" feature. We recommend you use that feature to program the remote control.

For any questions or problems related to programming a universal remote control, you must contact the customer service department of the universal remote control manufacturer for assistance, or refer to the instructions included with the universal remote control. We cannot offer assistance in programming universal remote controls.

CONTROL REFERENCE GUIDE

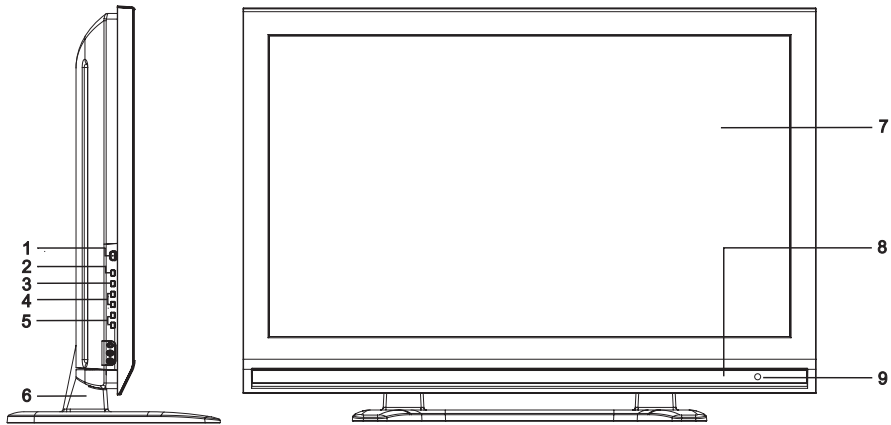
REMOTE CONTROL



1. **⏻ / I (STANDBY / ON) Button**
Press to turn ON the unit or put it in STANDBY (OFF) mode.
2. **TV Button**
Press to switch to TV mode.
AV Button
Press to switch to source connected to AV 1 / AV 2 (composite) inputs.
HD Button
Press to switch to source connected to YUV (component) inputs and HDMI 1 / HDMI 2 inputs.
DISPLAY Button
Press to change disc status information displayed on the screen.
3. **Number (0 - 9) Buttons**
4. **• [dot] Button**
Press to enter digital sub-channels. (i.e. 11.3 or 12.7)
5. **MENU Button**
Press to display the on-screen TV menu.
6. **VOLUME (- / +) Buttons**
Press to adjust the volume level.
7. **CURSOR (▲, ▼, ◀, ▶) Buttons**
Press to highlight selections on a menu screen and adjust certain settings.
ENTER Button
Press to confirm selections on a menu screen.
8. **CC Button**
Press to activate the Closed Captioning feature. This function only works on programs broadcasted with captions.
9. **EXIT Button**
Press to exit the TV SET UP menu and return directly to normal viewing.
10. **SLEEP Button**
Press to set the SLEEP timer. The unit will remain on for the time that is set, and will automatically shut off afterwards.
11. **FUNCTION Button**
Press to switch between TV / AV 1 / AV 2 / YUV in / PC in / HDMI 1 / HDMI 2.
12. **LAST CH Button**
Press to switch repeatedly between the last two channels displayed.
13. **MUTE  Button**
Press to turn off the sound.
14. **CH ▲/▼ CH Buttons**
Press ▲/▼ to change the channels.
15. **MTS Button**
Press to switch between MONO sound, STEREO sound and Secondary Audio Program (SAP).
16. **PICTURE Button**
Press to select from preset screen display settings to match the type of show you are watching (Personal / Soft / Movie / Standard / Dynamic).
17. **SOUND Button**
Press to select from preset sound settings to match the type of show you are watching (Standard / Personal / Theater / Voice / Music).
18. **FORMAT Button**
Press to select the picture format.

CONTROL REFERENCE GUIDE

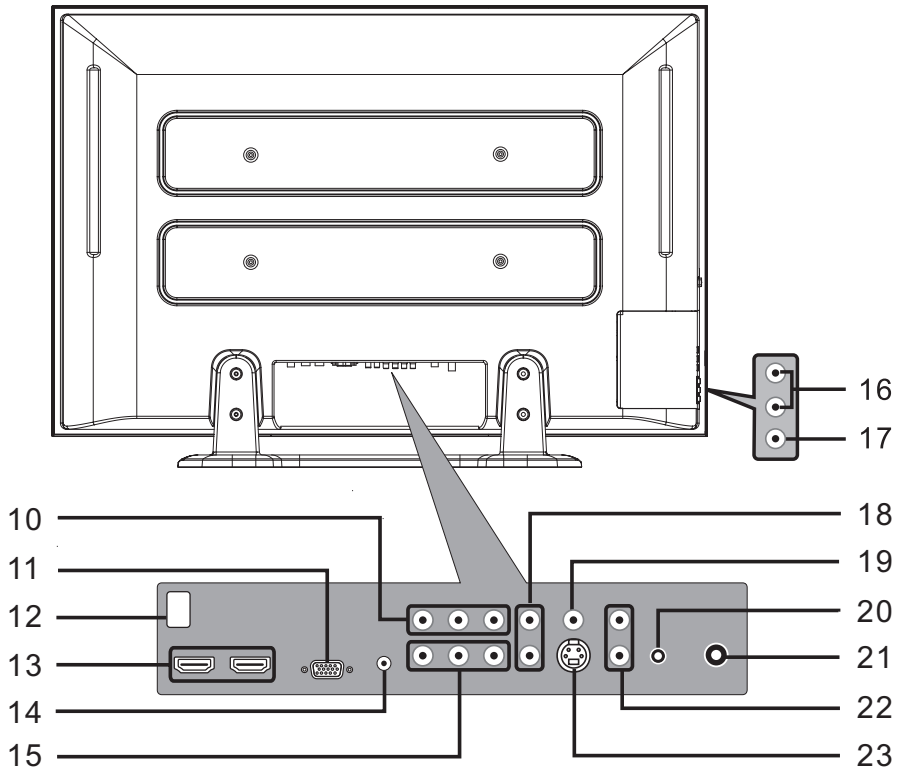
FRONT & SIDE VIEWS



- 1. ⏻ / I (STD.BY / ON) Button**
Turns the unit on and off.
- 2. MENU Button**
Enters the on-screen TV menu.
- 3. FUNCTION Button**
Selects TV / AV 1 / AV 2 / YUV in / PC in / HDMI 1 / HDMI 2.
- 4. CH \wedge / \vee CH Buttons**
Confirms selections on the TV menu screen and changes the TV channels.
- 5. - VOL + Controls**
Adjusts the volume level.
- 6. Removable Stand**
- 7. Color Screen**
- 8. Speaker**
- 9. Remote Sensor Standby Indicator**
Receives the remote control signal.

CONTROL REFERENCE GUIDE

REAR VIEW



- 10. VIDEO OUT Jack (AV OUT)
AUDIO OUT (Left / Right) Jacks (AV OUT)
- 11. MONITOR / VGA Jack (PC IN)
- 12. AC Socket
- 13. HDMI IN Jacks (HDMI IN 1 / HDMI IN 2)
- 14. AUDIO Jack (PC IN)
- 15. COMPONENT VIDEO IN (Y / PB / PR) Jacks (YUV IN)

- 16. AUDIO IN (Left/Right) Jacks (AV IN 2)
- 17. VIDEO IN Jack (AV IN 2)
- 18. AUDIO IN (Left / Right) Jacks (YUV IN)
- 19. VIDEO IN Jack (AV IN 1)
- 20. PHONES Jack
- 21. TV ANTENNA Terminal
- 22. AUDIO IN (Left / Right) Jacks (AV IN 1)
- 23. S-VIDEO Jack (AV IN 1)

CONNECTIONS

CONNECTING A TV ANTENNA / CABLE / SATELLITE

To view television channels correctly, a signal must be received from one of the following sources:

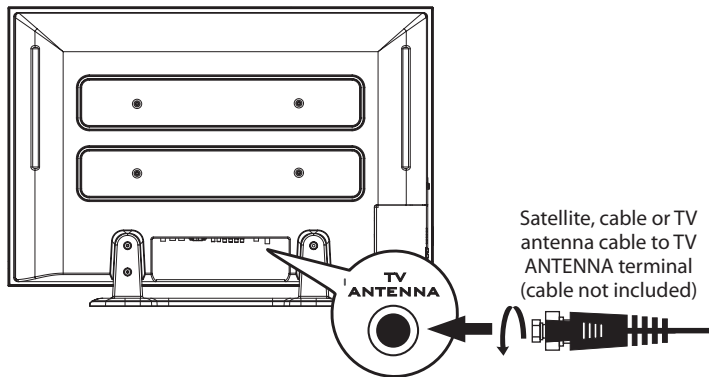
- An indoor or outdoor aerial antenna
- A cable system
- A satellite system

Connecting an Antenna for over-the-air Broadcasts

The tuner in this TV receives ATSC TV signals from an antenna - it thus can receive standard (SDTV) and high definition (HDTV) over the air broadcasts.

Connecting other Devices to the TV ANTENNA Terminal

The tuner in this TV can also receive analog cable signals or the RF output from a satellite receiver, VCR or cable box.



CONNECTING AN A/V DEVICE

To connect to other equipment such as a VCR, camcorder, satellite system or cable, etc.

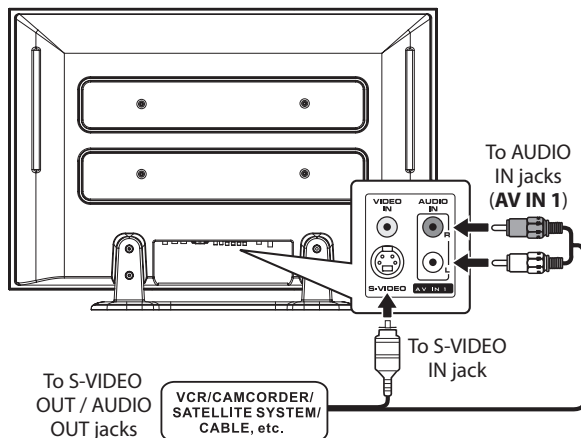
Connecting to a VCR / Camcorder / Satellite System / Cable

Connect the AUDIO and S-VIDEO cable (not included) as shown:

Make sure you connect the cable from the other equipment (AUDIO OUT and S-VIDEO OUT) to this unit AV IN 1 (AUDIO IN and S-VIDEO IN).

NOTE

Please refer to the user manual for the other equipment for more information.



CONNECTIONS

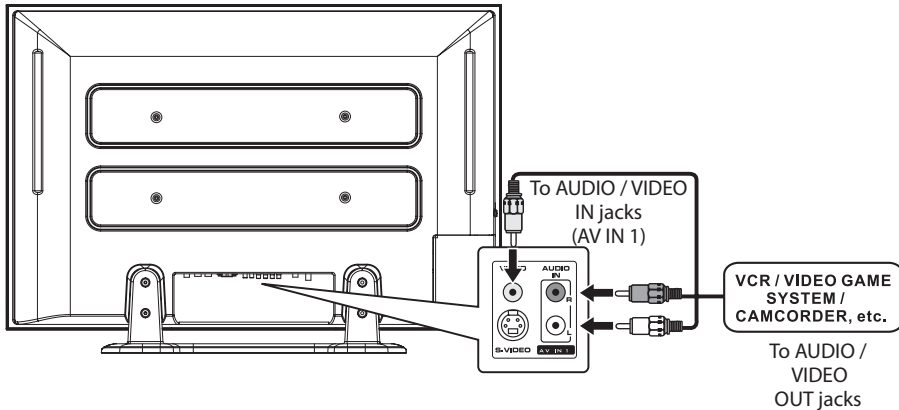
CONNECTING DEVICES WITH A COMPOSITE (YELLOW RCA-TYPE) VIDEO OUTPUT

To connect A/V devices such as a VCR, video game system or camcorder:

Connecting to a VCR / Video Game System / Camcorder

Connect the AUDIO / VIDEO cable (not included) as shown:

Make sure you connect the cable from the other equipment (**AUDIO** and **VIDEO OUT**) to this unit AV IN 1 (**AUDIO** and **VIDEO IN**) or AV IN 2 (**AUDIO** and **VIDEO IN**).



NOTE

Please refer to the user manual for the other equipment for more information.

CONNECTING DEVICES WITH A COMPOSITE (YELLOW RCA-TYPE) VIDEO INPUT

To connect A/V devices such as a VCR, PVR or camcorder:

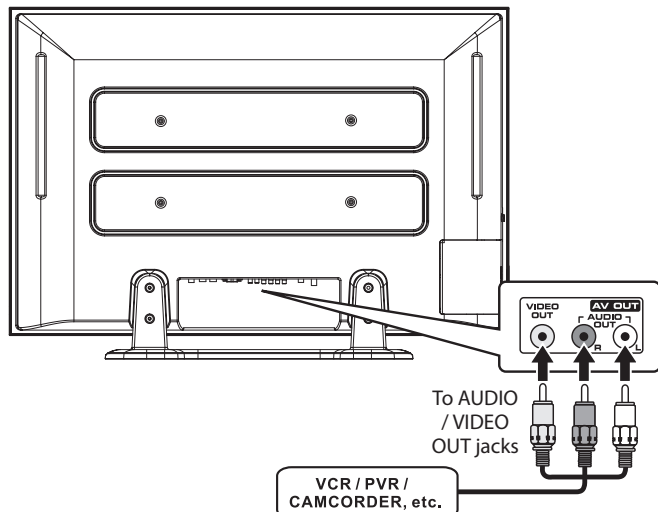
Connecting to a VCR / PVR / Camcorder

Connect the AUDIO / VIDEO cable (not included) as shown:

Make sure you connect the cable from the other equipment (**AUDIO** and **VIDEO IN**) to this unit (**AUDIO** and **VIDEO OUT**).

NOTE

Please refer to the user manual for the other equipment for more information.



CONNECTIONS

CONNECTING A HIGH-DEFINITION (HD) SOURCE USING HDMI CONNECTION

HDMI (High Definition Multimedia Interface) supports both video and audio on a single digital connection for use with DVD players, DTV, set-top boxes and other digital AV devices. HDMI was developed to provide the technologies of High Bandwidth Digital Content Protection (HDCP) as well as Digital Visual Interface (DVI) in one specification. HDCP is used to protect digital content transmitted and received by DVI-compliant or HDMI-compliant displays.

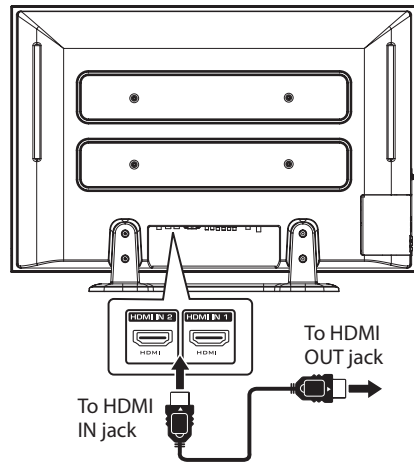
HDMI has the capability to support standard, enhanced or high-definition video plus standard to multi-channel surround-sound audio. HDMI features include uncompressed digital video, a bandwidth of up to 2.2 gigabytes per second (with HDTV signals), one connector (instead of several cables and connectors), and communication between the AV source and AV devices such as DTVs.

HDMI, the HDMI logo  and High-Definition Multimedia Interface are trademarks or registered trademarks of HDMI licensing LLC.

Connect the HDMI cable (not included) as shown:

Make sure you connect the cable from the source equipment (**HDMI OUT**) to this unit (**HDMI IN**).

Press the **HD** button to match the video source output quality.

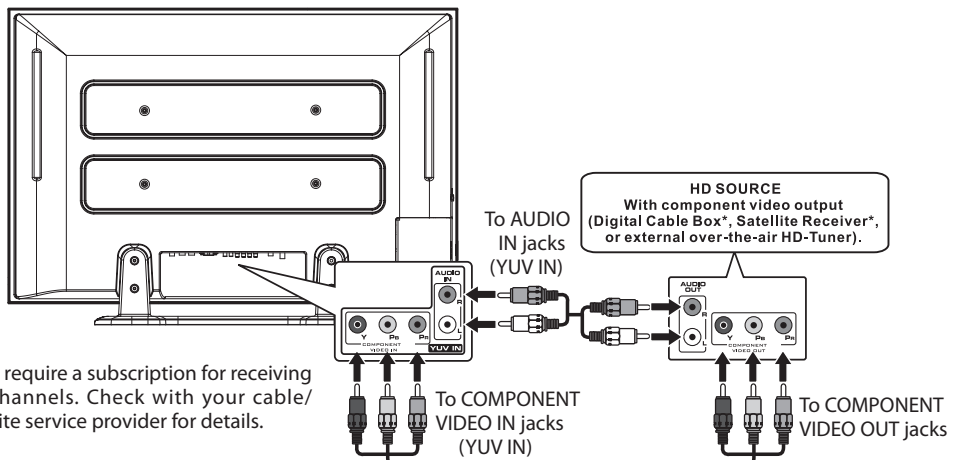


CONNECTING A HIGH-DEFINITION (HD) SOURCE USING COMPONENT CONNECTION

High-Definition (HD) Devices with component video output must be connected to the YUV input.

Connect the component video cable and audio cable (not included) as shown.

Make sure you connect the component video cable and audio cable from the other equipment (**COMPONENT VIDEO OUT** and **AUDIO OUT**) to this unit (**COMPONENT VIDEO IN** and **AUDIO IN - YUV IN**).



* May require a subscription for receiving HD channels. Check with your cable/satellite service provider for details.

CONNECTIONS

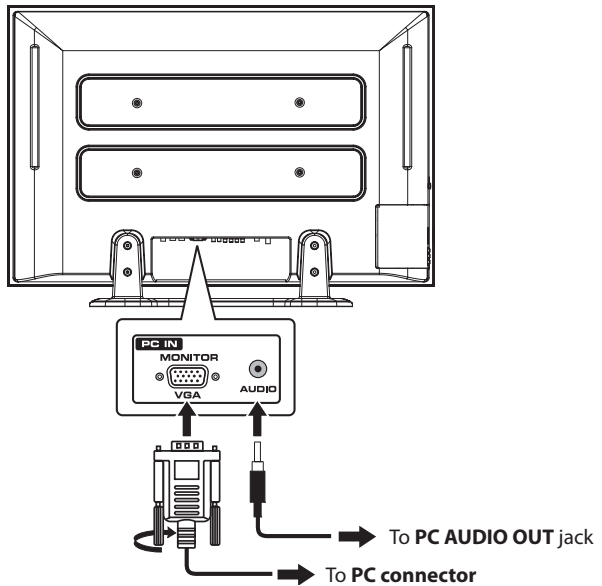
NOTE

When connecting a DVD player to the television, the picture resolution is solely dependent upon the resolution supported by the DVD player attached. DVD player resolutions vary from 480i to 1080i, and this unit can support DVD players up to a maximum resolution of 1080i.

CONNECTING A PC

Connect the 15-pin D-SUB PC/VGA connector from your computer to the 15-pin D-SUB PC/VGA input on this unit using a monitor cable and audio cable (not included) as shown.

Make sure you connect the cable from the computer (**PC Connector** and **PC AUDIO**) to this unit (**PC IN MONITOR / VGA** and **AUDIO**).

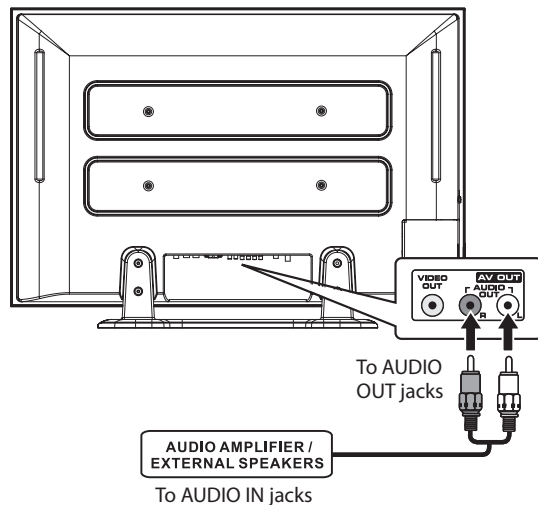


CONNECTING AN AUDIO AMPLIFIER

This connection allows you to use an audio amplifier and external speakers.

Connect the AUDIO cable (not included) as shown:

Make sure you connect the cable from the other equipment (**AUDIO IN**) to this unit (**AUDIO OUT**).



CONNECTIONS

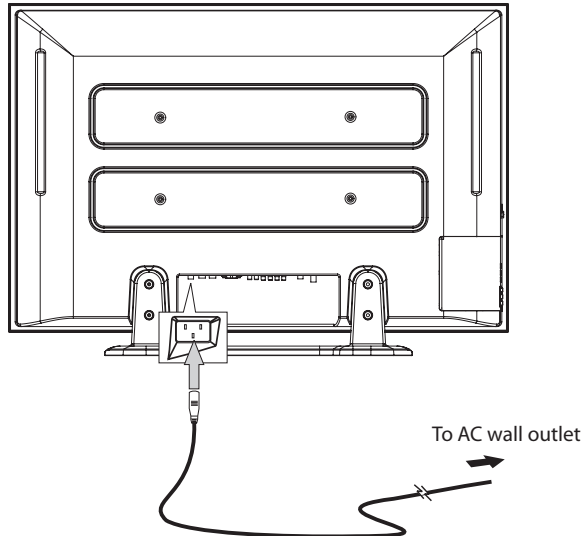
CONNECTING THE AC POWER CORD

You can power your TV unit by plugging the detachable AC power cord into the AC socket on the back of the unit and into a wall AC power outlet. Check that the rated voltage of your unit matches your local voltage. Make sure that the AC power cord is fully inserted into the unit.

CAUTION: (for North America)
TO PREVENT ELECTRIC SHOCK,
MATCH WIDE BLADE OF PLUG TO
WIDE SLOT OF WALL OUTLET, THEN
FULLY INSERT.

NOTES:

- When the AC power cord is plugged in, the unit is not completely disconnected from the main power, even when the power is turned off.
- Be sure the AC power cord is disconnected and all functions are off before making connections.
- Make sure all components are connected correctly.
- When not being used on mains, the AC Cord should be unplugged from the unit.

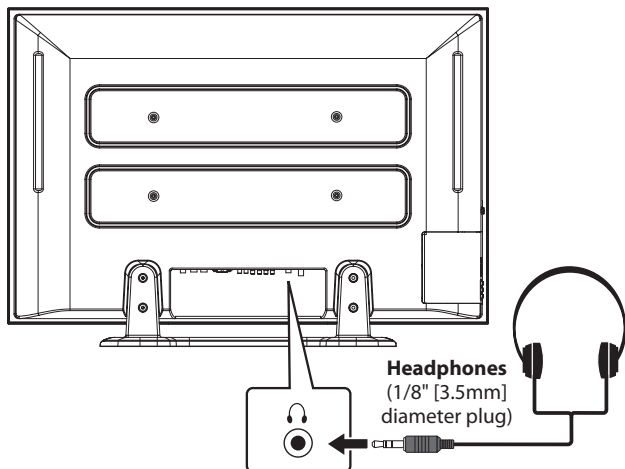


USING HEADPHONES

- Turn down the volume before connecting headphones to the unit, then adjust the volume to your desired level.
- When headphones are connected, no sound will come from the front speakers.

NOTE

Avoid listening to sound at high levels for prolonged periods of time. This may be harmful to you and may cause hearing loss.

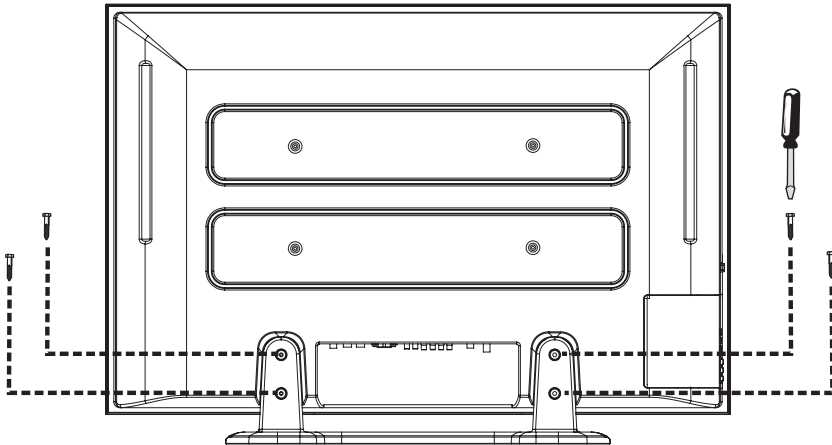


INSTALLATION

INSTALLING THE BASE STAND

WARNING: The display is very fragile, and must be protected at all times when installing the base stand. Be sure that no hard or sharp objects, or anything that could scratch or damage the display come in contact with it. Do NOT place pressure on the rear of the unit at anytime because the screen could crack.

1. Disconnect any cables or cords connected to the unit.
2. Lay the unit down on a flat surface, so the back side is facing up, making sure to place a soft cushioned material (such as a blanket or thick piece of foam) beneath the screen.
3. Put the stand into the hole at the bottom of the TV.
4. Insert screw into the hole and tighten.

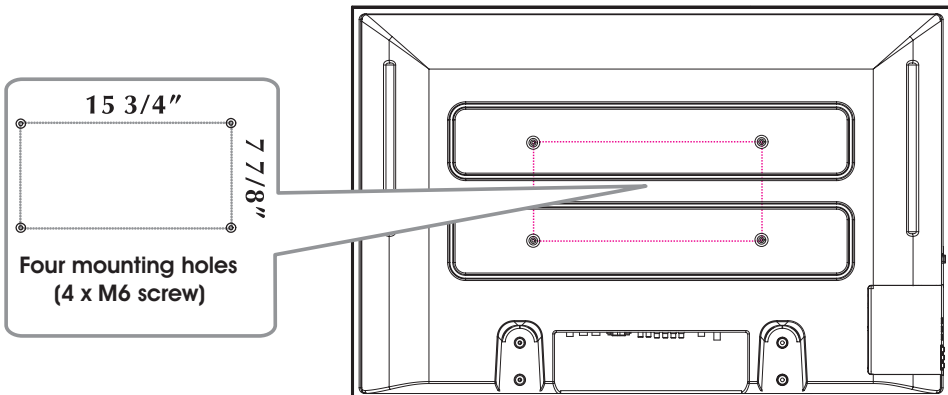


MOUNTING ON THE WALL

This unit is VESA-compliant, and is designed to be wall-mounted with a VESA-compliant 15 3/4" x 7 7/8" (400mm x 200mm) mounting kit designed for flat-panel TVs (sold separately). Mount this unit according to the directions included with the mounting kit.

NOTE

Remove the base stand before mounting the unit on the wall.

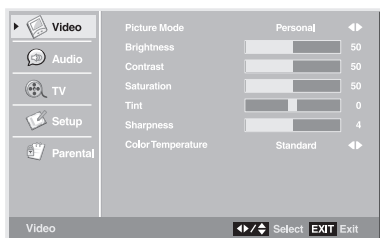


TV SETUP

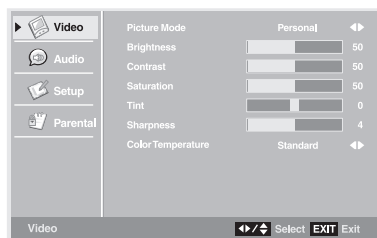
VIDEO MENU

1. Press the **MENU** button.
2. Press the **ENTER** or **▶** button to select **Video**.
3. Use the **▲** or **▼** button to select the options (**Picture Mode**, **Brightness**, **Contrast**, **Saturation**, **Tint**, **Sharpness** or **Color Temperature**). Adjust them using the **◀** or **▶** button (The screen will change to your desired setting); or press the **ENTER** or **▶** button to go into the detailed settings.
4. Press the **EXIT** button to return to the previous menu.
5. Repeat steps 3 and 4 to adjust other options.
6. To exit the MAIN MENU and return to the normal screen, press the **EXIT** button repeatedly.

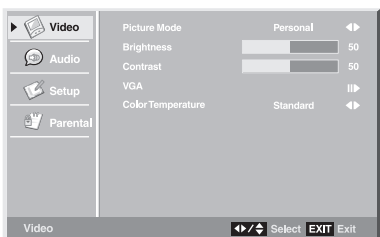
TV MODE



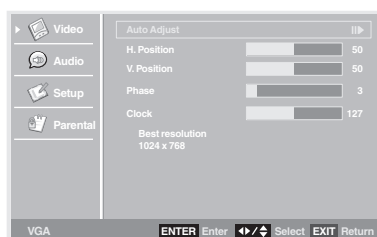
AV / YUV / HDMI MODE



PC MODE



VGA SETTINGS IN PC MODE



- Picture Mode** : Select from preset screen display settings to match the type of show you are watching (Personal, Soft, Movie, Standard & Dynamic). Select Personal mode to recall your customized settings on brightness, contrast, saturation, tint, sharpness and color temperature.
- Brightness** : Adjust the brightness of the picture. Brighten or darken the whole picture.
- Contrast** : Adjust to sharpen the picture quality. The black portions of the picture become richer in darkness and the white become brighter.
- Saturation** : Adjust the color saturation of the picture.
- Tint** : Adjust the tint of the picture (Toward purple / Toward green).
- Sharpness** : Adjust the sharpness level to improve detail in the picture.
- Color Temperature** : Adjust the three color temperature of the picture. Choose from Standard (balanced), Warm (red white), or Cool (blue white) modes.
- Auto Adjust** : Adjust the screen display automatically.
- H. Position** : Center the image by moving it left or right.
- V. Position** : Center the image by moving it up or down.
- Phase** : Adjust the image if there is flicker of screen letters, color misalignment, or blurring.
- : Adjust the display clock to change width of the image.

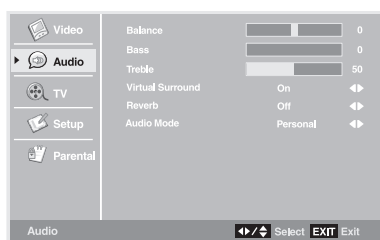
- Resolution : 1024 x 768 max
- Refresh Frequency : 60Hz max

TV SETUP

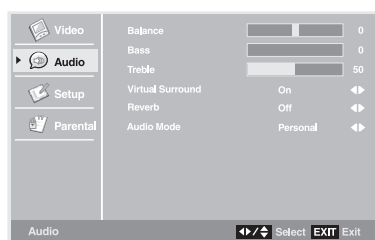
AUDIO MENU

1. Press the **MENU** button.
2. Use the **▲** or **▼** button to select **Audio**, then press the **ENTER** or **▶** button to go into the Audio settings.
3. Use the **▲** or **▼** button to select the options (**Balance**, **Bass**, **Treble**, **Virtual Surround**, **Reverb** or **Audio mode**). Adjust them using the **◀** or **▶** button (The screen will change to your desired setting); or press the **ENTER** or **▶** button to go into the detailed settings.
4. Press the **EXIT** button to return to the previous menu.
5. Repeat steps 3 and 4 to adjust other options.
6. To exit the MAIN MENU and return to the normal screen, press the **EXIT** button repeatedly.

TV MODE



AV / YUV / HDMI / PC MODE



NOTE

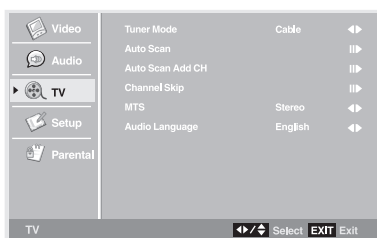
Experiment with different sound settings until you find the settings you prefer.

- Balance** : Adjust the balance level toward the left or right speakers.
Bass : Adjust the bass range.
Treble : Adjust the treble range.
Virtual Surround : Switch on or off the virtual surround effect.
Reverb : Select from preset sound settings (Concert, Living Room, Hall, Arena, Church, Off) to match the type of show you are watching.
Audio mode : Select from preset audio settings (Standard, Personal, Theater, Voice & Music) to match the type of show you are watching. Select Personal mode to recall your custom settings on bass and treble).

TV SETUP

TV MENU (For TV Mode Only)

1. Press the **MENU** button.
2. Use the **▲** or **▼** button to select TV. Press the **ENTER** or **►** button to go into the TV settings.
3. Use the **▲** or **▼** button to select the options (**Tuner Mode**, **Auto Scan**, **Auto Scan Add CH**, **Channel Skip**, **MTS** or **Audio Language**). Adjust them using the **◀** or **►** button (The screen will change to your desired setting); or press the **ENTER** or **►** button to go into the detailed settings.
4. Press the **EXIT** button to return to the previous menu.
5. Repeat steps 3 and 4 to adjust other options.
6. To exit the MAIN MENU and return to the normal screen, press the **EXIT** button repeatedly.



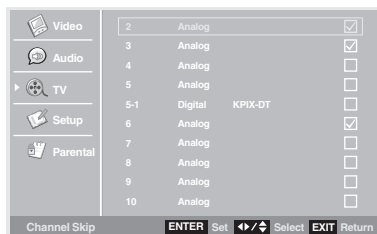
- Tuner Mode** : Antenna (over-the-air broadcasts, Ch 2-69) or Cable (cable/satellite broadcasts, CH 1-135) mode is available.
- Auto Scan** : Searches for usable stations and stores them in memory.
- Auto Scan Add CH** : Searches for more usable stations and adds them in memory (The stations stored before are still kept).
- Channel Skip** : Skips weak channels and the channels you do not like.
- MTS** : Select from Stereo / SAP (Secondary Audio Program) / Mono.
- Audio Language** : Select from English / Spanish / French (Available for digital channels if multiple audio languages are broadcasted).

NOTE

The SAP (Secondary Audio Program) feature allows a TV station to broadcast other information, which could be audio in another language.

Channel Skip Setting:

1. Use the **▲** or **▼** button to select a channel. Press the **►** button to select the last channel of the page, press again to go to the next page. Press the **◀** button to select the first channel of the page, press again to go to the previous page.
2. Press the **ENTER** button to shift between skip or not skip the channel. A check appears in the square. It means to skip the channel. The channel will not appear when you press the **CH ^/CH v** Button.

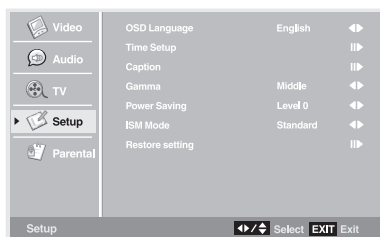


TV SETUP

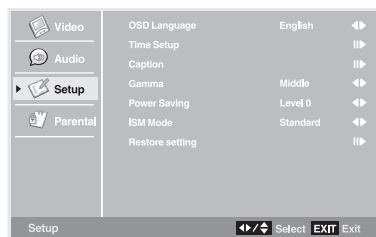
SETUP MENU

1. Press the **MENU** button.
2. Use the **▲** or **▼** button to select Setup. Press the **ENTER** or **►** button to go into the Setup settings.
3. Use the **▲** or **▼** button to select the options (**OSD Language**, **Time Setup**, **Caption**, **Gamma**, **Power Saving**, **ISM Mode** or **Restore setting**). Adjust them using the **◀** or **►** button (The screen will change to your desired setting); or press the **ENTER** or **►** button to go into the detailed settings.
4. Press the **EXIT** button to return to the previous menu.
5. Repeat steps 3 and 4 to adjust other options.
6. To exit the MAIN MENU and return to the normal screen, press the **EXIT** button repeatedly.

TV MODE



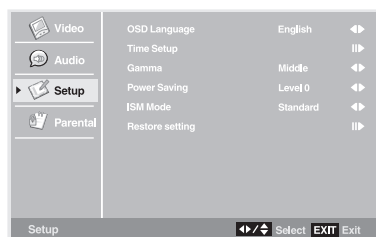
AV / YUV MODE



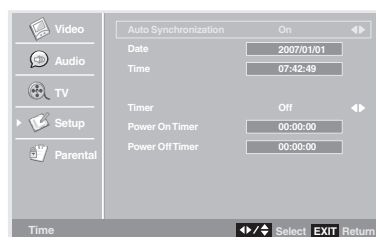
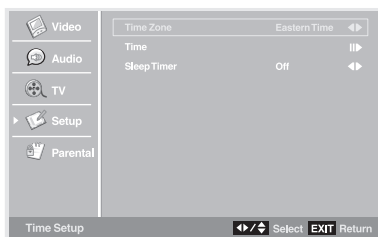
OSD Language :

Select from English / Español / Français.

HDMI / PC MODE



Time Setup Setting



Time Zone : Select the time zone from Eastern Time / Indiana / Central Time / Mountain Time / Arizona / Pacific Time / Alaska / Hawaii.

Sleep Timer : Select the time to turn the unit to Standby mode automatically: Off -> 5 Minutes -> 10 Minutes -> 15 Minutes -> 30 Minutes -> 60 Minutes -> 90 Minutes -> 120 Minutes -> Off.

TV SETUP

When you set the 'Time', the option will be shown:

Auto Synchronization: Select On to synchronize time with the digital TV channel signal. Select Off to keep the time unsynchronized.

Date : Press the ◀ or ▶ button to locate the position, and press the number buttons to input date.

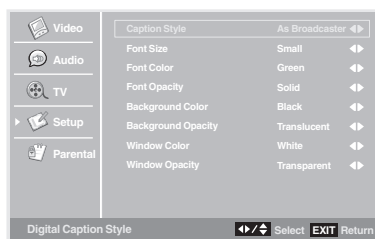
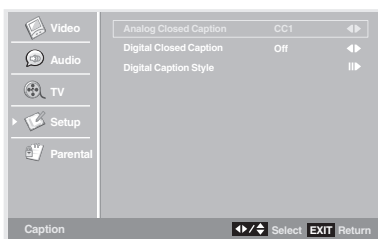
Time : Press the ◀ or ▶ button to locate the position, and press the number buttons to input time.

Timer : Select On to activate automatically power on/off.

Power On Timer : Press the ◀ or ▶ button to locate the position, and press the number buttons to input power on time.

Power Off Timer : Press the ◀ or ▶ button to locate the position, and press the number buttons to input power off time.

Caption Setting



Analog Closed Caption : Select the analog closed caption.

Digital Closed Caption : Select the digital closed caption or turn it off.

Digital Caption Style : Select as Broadcaster to use the default digital caption style of the broadcaster. Select Custom to activate the caption style items and set your preferred detailed settings.

NOTE

This function only works on ATSC programs broadcasted with captions.

Gamma Setting

High gamma values display whitish images and low gamma values display high contrast images. Use the ◀ or ▶ button to select the options (**Middle, Bright** or **Dark**).

Power Saving Setting

This function allows you to reduce the power consumption of the TV. Use the ◀ or ▶ button to select the desired power saving level (**Level 0~4**).

ISM(Image Sticking Minimization) Mode Setting

A frozen or still picture from a PC/video game displayed on the screen for prolonged periods will result in a ghost image remaining even when you change the image. This option avoids allowing a fixed image to remain on the screen for prolonged periods. There are 4 options (**Standard, White Screen, Screen Saver** or **Inversion**) for your choice.

Restore Setting

If you reset the TV to the factory settings, all your present settings on Video & Audio will be erased and replaced by the factory's default settings. However, picture settings in PC mode and Parental settings will not be erased.

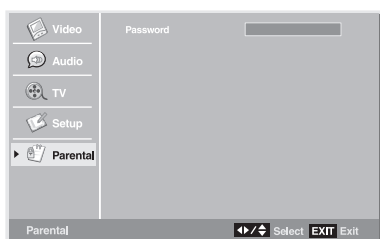
TV SETUP

PARENTAL MENU

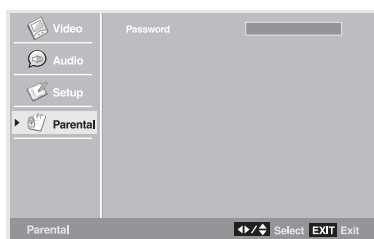
Password

1. Press the **MENU** button.
2. Use the **▲** or **▼** button to select **Parental**. Press the **ENTER** or **▶** button to confirm. The menu locked screen will be displayed.
3. Enter a 4-digit password. Once entered, the screen will enter the Parental menu. The preset password is 0000. You can edit the parental control level or change the password. See **Parental Control Settings** described as below.

TV MODE



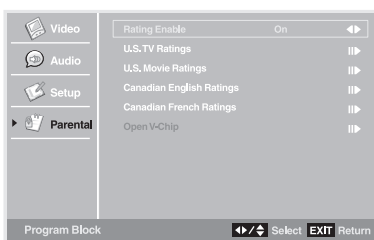
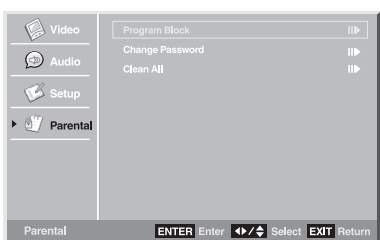
AV / YUV / HDMI / PC MODE



**If you forget the password,
enter "8888" to unlock parental control.**

Parental Control Setting

1. Use the **▲** or **▼** button to select various Parental settings. Press the **ENTER** or **▶** button to go into the detailed settings.
2. Use the **▲**, **▼**, **◀** and **▶** buttons to move among the rating levels. Press the **ENTER** button to change the mode between Blocked and Allowed.
3. Press the **EXIT** button to return to the previous menu.
4. Repeat steps 1 - 3 to adjust other options.
5. To exit the MAIN MENU and return to the normal screen, press the **EXIT** button repeatedly.



Rating Enable Open V-Chip

- : Select On to edit the following parental items. Select Off to disable parental control.
- : Reads the ratings from ATSC TV programs if there is rating information broadcasted, and denies the channel when its rating is higher than the ratings you pre-set.

TV SETUP

| | |
|--------------------------------|--|
| U.S. TV Ratings | <p>TV-Y : Recommended for all children.</p> <p>TV-Y7 : Recommended for all children age 7 and above.</p> <p>TV-G : General Audience.</p> <p>TV-PG : Parental Guidance Suggested.</p> <p>TV-14 : Parental Strongly Cautioned.</p> <p>TV-MA : Mature Audience Only.</p> |
| U.S. Movie Ratings | <p>G : GENERAL AUDIENCES, Suitable for all ages.</p> <p>PG : PARENTAL GUIDANCE SUGGESTED - Some material may not be suitable for children.</p> <p>PG-13 : PARENTS STRONGLY CAUTIONED - Some material may be inappropriate for children under 13.</p> <p>R : RESTRICTED, Under 17 requires accompanying parent or adult guardian for viewing in movie theaters.</p> <p>NC-17 : No one 17 or under admitted in movie theaters,</p> <p>X : Adults Only.</p> |
| Canadian English Ratings | <p>C : Children.</p> <p>C8+ : Recommended for children age 8 and older.</p> <p>G : GENERAL AUDIENCES, Suitable for all ages.</p> <p>PG : PARENTAL GUIDANCE SUGGESTED - Some material may not be suitable for children.</p> <p>14+ : Viewers 14 years and older.</p> <p>18+ : Adult Programming.</p> |
| Canadian French Ratings | <p>G : GENERAL AUDIENCES, Suitable for all ages.</p> <p>8 ans+ : Not recommended for young children.</p> <p>13 ans+ : Not suitable for children under the age of 13.</p> <p>16 ans+ : Not suitable for children under the age of 16.</p> <p>18 ans+ : Adult Programming.</p> |

TROUBLESHOOTING GUIDE

SYMPTOM

CAUSE (AND REMEDY)

No power.

- Make sure the AC power cord is connected.
- The unit is not turned on.

The remote does not function.

- Remove any obstacles between the remote and the unit.
- Use the remote near the unit.
- Point the remote at the remote sensor on the unit.
- Replace the batteries in the remote with new ones.

TV

Bad Picture (snow, multiple images, distortion, blurry)

- Check the location of the antenna and adjust it if necessary.
- Make sure the antenna cable is firmly connected.
- Make sure all input cables are firmly connected.

Black and white picture.

- Check the VIDEO MENU within the TV SETUP MENU.
- Check to make sure the program you are watching is broadcast in color and not black & white.

No picture or sound.

- Make sure the unit is plugged in and turned on.
- Make sure that TV mode is selected.
- Try a new channel to check for possible station trouble.
- Make sure the antenna is connected properly.
- Increase the volume.
- Make sure the antenna or audio video source device is working properly.
- Make sure all cables are firmly connected.
- Check for local interference.

Colored patches of picture.

- Make sure there are no unshielded electrical devices nearby that are causing interference.
- Turn the unit off for 30 minutes, then try it again.

No sound is output from the HDMI out.

- Check the connection between this unit and the HDMI out jack of other equipment.
- Check your TV system setup correctly.

LIMITED WARRANTY

Notes

.....

.....

.....

.....

.....

.....

.....

.....

.....

.....

.....

.....

.....

.....

.....

.....

Important: Also keep your "Bill of Sale" as proof of purchase.

| | |
|-----------------------------|---------------------------|
| Model no. | Product name |
| Type of set | |
| Serial no. | Invoice no. |
| Date purchased | Dealer name |

FOR SERVICE AND REPAIR, PLEASE VISIT **www.venturer.com**

© 2008 VENTURER Electronics Inc.

LIMITED WARRANTY

VENTURER ELECTRONICS ("VENTURER") makes the following limited warranty. This limited warranty extend to the original consumer purchaser and is limited to non-commercial use of the product.

Ninety (90) Day Parts & Labor Warranty

VENTURER products purchased in the United States are warranted to be free from defects in materials or workmanship for a period of ninety (90) days from the date of their original retail purchase. If the unit fails to conform to this warranty, we will service the product using new or refurbished parts and products, at **VENTURER's** sole discretion.

During a period of ninety (90) days from the effective warranty date, **VENTURER** will provide, when needed, service labor to repair a manufacturing defect at its designated Service Center. To obtain warranty service in the United States, you must first call our **Customer Support Center at (800) 252-6123, during the hours listed in the box below.** The determination of service will be made by **VENTURER** Customer Support. **PLEASE DO NOT RETURN YOUR UNIT TO ALCO WITHOUT PRIOR AUTHORIZATION.** New or remanufactured replacements for defective parts or products will be used for repairs by **VENTURER** at its designated Service Center for ninety (90) days from the effective warranty date. Such replacement parts or products are warranted for an additional ninety (90) days from the date of repair or replacement. The Customer will be required to ship the unit to the Service Center indicated at the time Customer Support is contacted to make the necessary repairs. The customer is responsible for all transportation charges to the service facility.

Packaging and Shipping Instruction

When you send the product to the Alco service facility you must use the original carton box and packing material or an equivalent as designated by **VENTURER.**

LIMITED WARRANTY

Your Responsibility

- (1) You must retain the original sale receipt to provide proof of purchase.
- (2) These warranties are effective only if the product is purchased and operated in the U.S.A. or Canada.
- (3) Warranties extend only to defects in material or workmanship, and do not extend to any product or parts which have been lost or discarded, or damage to product or parts caused by misuse, accident, improper operation or maintenance, or use in violation of instructions provided with the product, or to product which has been altered or modified without authorization of **VENTURER,** or to products or parts thereof which have had the serial number removed or changed.

Out of Warranty

In the event your product requires repair after the limited warranty period has expired, please contact our Customer Support Center at **1-800-252-6123** or **www.venturer.com.**

Hours: Monday–Thursday: 9–7, Friday: 9–5, Saturday: 9–12 EST.

Important:

You are responsible for any transportation, shipping or insurance relative to the return of product to our Product Returns Center.

All warranties implied by state law, including the implied warranties of merchantability and fitness for a particular purpose, are expressly limited to the duration of the limited warranties set forth above. With the exception of any warranties implied by state law as hereby limited, the foregoing warranty is exclusive and in lieu of all other warranties, guarantees, agreements and similar obligations of manufacturer or seller with respect to the repair or replacement of any parts. In no event shall **VENTURER** be liable for consequential or incidental damages.

No person, agent, distributor, dealer or company is authorized to change, modify or extend the terms of these warranties in any manner whatsoever. The time within action must be commenced to enforce any obligation of **VENTURER** arising under the warranty or under any statute, or law of the United States or any state thereof, is hereby limited to ninety (90) days from the date of purchase. This limitation does not apply to implied warranties arising under state law.

This warranty gives you specific legal rights and you may also have other rights, which may vary, from state to state. Some states do not allow limitation on how long an implied warranty lasts, when an action may be brought, or the exclusion or limitation of incidental or consequential damages, so the above provisions may not apply to you.

For more information on other products and services, please visit our web site at **www.venturer.com**

Digital Television Transition Notice

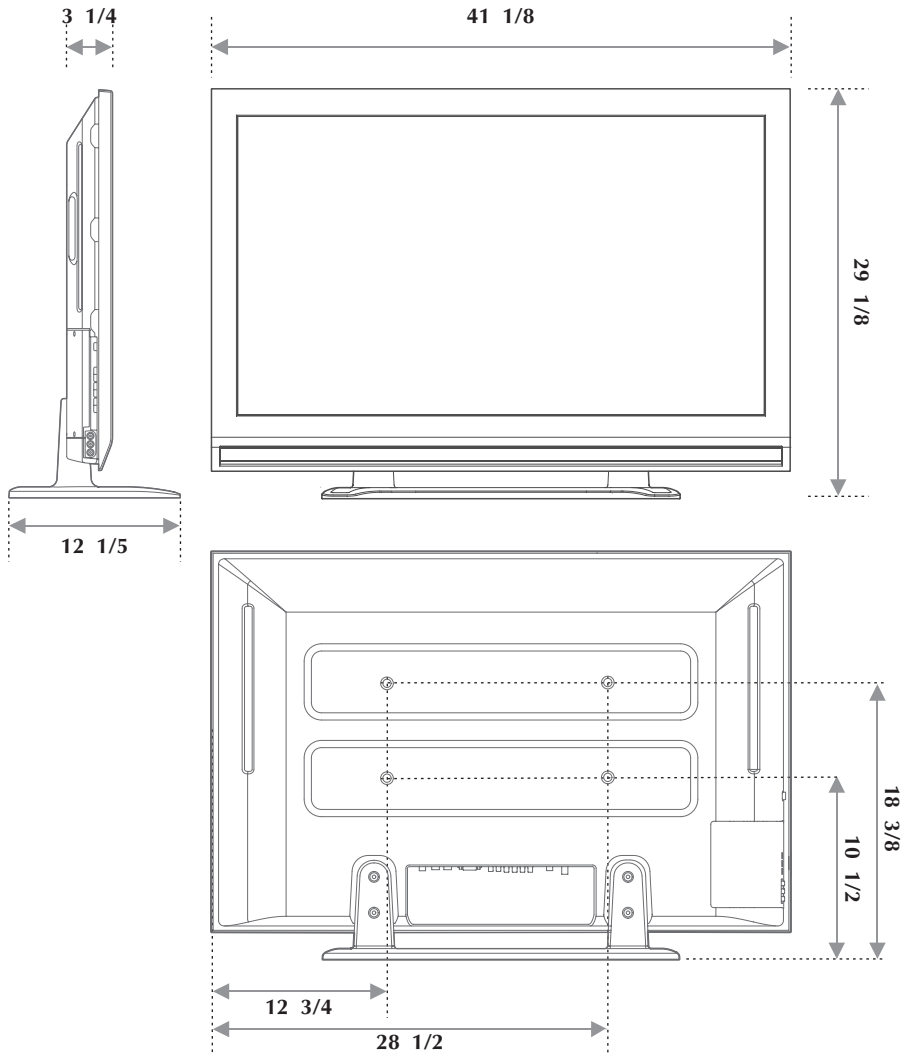
Digital Television Transition Notice:

This device contains a digital television tuner, so it should receive digital over the air TV programming, with a suitable antenna, after the end of full-power analog TV broadcasting in the United States on February 17, 2009. Some older television receivers, if they rely on a TV antenna, will need a TV Converter to receive over the air digital programming, but should continue to work as before for other purposes (e.g., for watching low-power TV stations still broadcasting in analog, watching pre-recorded movies, or playing video games).

For more information, please see www.DTV.gov or call our number below. For information on the TV Converter program, and on government coupons that may be used toward the purchase of one, see www.dtv2009.gov, or call the NTIA at 1-888-DTV-2009.



UNIT INCH



Printed in China
811-284291W021

Free Manuals Download Website

<http://myh66.com>

<http://usermanuals.us>

<http://www.somanuals.com>

<http://www.4manuals.cc>

<http://www.manual-lib.com>

<http://www.404manual.com>

<http://www.luxmanual.com>

<http://aubethermostatmanual.com>

Golf course search by state

<http://golfingnear.com>

Email search by domain

<http://emailbydomain.com>

Auto manuals search

<http://auto.somanuals.com>

TV manuals search

<http://tv.somanuals.com>