

PYROMASTER®

Owner's Manual

Fan Forced Electric Heater Crackling Log

OAK: FCH-CO20

BIRCH: FCH-CB20

110 VOLT / 1500 WATT / 5100 BTU

U.L. Listed

PLEASE READ CAREFULLY BEFORE INSTALLATION AND USE. SAVE THIS MANUAL FOR FUTURE REFERENCE.

SAFETY RULES:

1. Be sure wall outlet is adequately wired and properly grounded before plugging in heater. If in doubt, have the circuit checked by a qualified electrician.
2. **Do not operate electric heater on or near combustible materials (drapes, clothes, papers, etc.) or inside a paper board fireplace. These items must be at least 3 feet (0.9m) from the front, sides, and rear of the heater.**
3. **Warning:** Plug heater directly into a wall outlet and avoid using an extension cord. If a short extension cord must be used, the cord shall be No. 14 AWG minimum size and rate not less than 1800 watts.
4. **To prevent electric shocks, do not operate heater on a wet or damp surface and do not operate outdoors.** This heater is not intended for use in bathrooms, laundry areas, and similar indoor locations. Never locate heater where it may fall into any water container.
5. Do not insert or allow foreign objects to enter any ventilation or exhaust opening as this may cause electric shock, fire, or damage to the heater.
6. This heater is hot when in use. To avoid burns, do not touch hot surfaces with bare skin.
7. To avoid dangerous shocks, always unplug for cleaning.
8. A loose fit between the wall outlet and heater plug will cause overheating and distortion of the plug. Replace receptacle if worn or loose. It is normal for the plug to feel warm to the touch during operation.
9. Locate heater away from other heat sources such as heat outlets or heater thermostat will not function properly.
10. **Keep pets and children away from unit while in operation.**
11. To prevent a possible fire, do not block air intakes or exhaust in any manner. Do not use on soft surfaces, like a bed, where openings may become blocked.
12. Do not run cord under carpeting. Do not cover cord with throw rugs, runners, etc. Arrange cord away from traffic areas and where it will not be tripped over.
13. Do not replace log light with a bulb larger than 40 watts, since larger size bulb may cause overheating.
14. This heater has hot, arcing, or sparking parts inside. Do not use it in areas where gasoline, paint, or flammable liquids are used or stored.
15. **Use this heater only as described in this manual. Any other use, not recommended by the manufacturer, may cause fire, electric shock, or injury to persons.**

INSTALLATION:

- A. Place the heater in the center of the fireplace.
- B. Place log on top of heater. Move the log out so that the front edge of the log is flush with the front edge of the heater.

OPERATING INSTRUCTIONS:

- A. To set the heater thermostat for a constant room temperature:
 - 1. Plug the heater into a 110/120 volt AC outlet and turn the thermostat knob clockwise to the full on position.
 - 2. When the room has reached the desired temperature or comfort level, carefully turn the thermostat knob counter-clockwise until the heater just turns off.
 - 3. Once the desired temperature is maintained, note thermostat setting for future operation. Heater elements and fan are controlled by an internal thermostat and will maintain the room temperature at a relatively constant level.
- B. To operate log:
 - 1. Plug the heater into a 110/120 volt AC outlet and turn on log switch (located on the log power cord). The light should come on and the crackling log sound should be audible.
- C. To disconnect heater:
 - 1. Turn control to off.
 - 2. Remove plug from outlet.

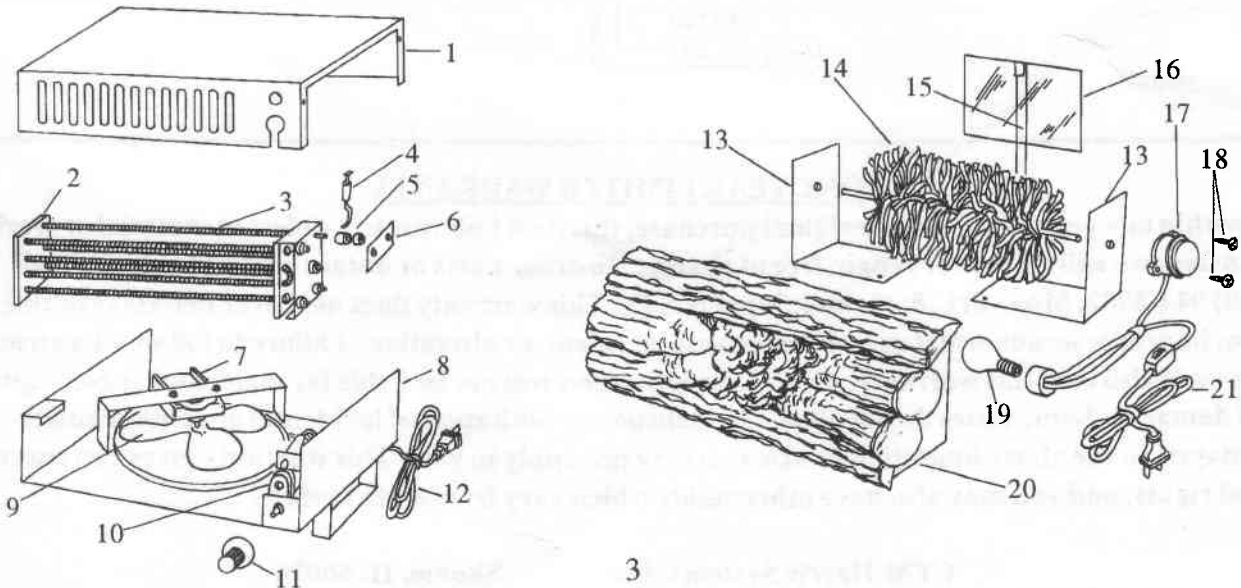
MAINTENANCE INSTRUCTIONS:

IMPORTANT: ALWAYS UNPLUG HEATER BEFORE CLEANING OR MOVING!

- A. Dust or wipe heater with a dry or damp cloth.
- B. No lubrication is required for this unit. Any servicing or repair should be performed by an authorized service representative only.
- C. At the end of heating season or any time the heater is not in use, carefully disconnect from power supply and store in a dry place. Be especially careful not to damage the power cord.

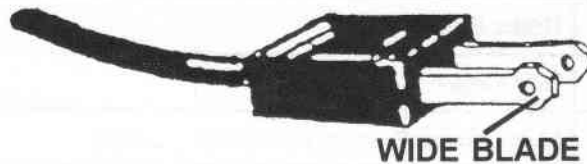
PARTS LIST:

Ref. #	Part #	Description	Qty.
1	32-02-009	Top Enclosure	1
2	42-03-001	Ceramic Insulator	1
3	42-07-001	Heater Element	2
4	32-07-006	Heat Limiter	1
5	32-07-009	Male Ceramic Bushing (Female #32-07-010)	5/set
6	40-03-005	Brass Conductor	2
7	32-07-001	Fan Motor	1
8	32-02-010	Bottom Enclosure	1
9	32-07-007	Fan Blade	1
10	32-07-002	Thermostat	1
11	32-07-003	Thermostat Knob	1
12	32-07-004	Heater Cord	1
13	42-03-008	Motor Mounting Bracket	2
14	32-10-035	Tinsel Assembly	1
15	42-03-006	Plastic Holding Bracket	1
16	32-10-028	Crackling Molded Plastic	1
17	32-07-019	Drum Motor	1
18	30-09-119	#6 x 3/8" S.M.S. Type "A"	2
19	32-07-024	Red Light Bulb (40 watt maximum)	1
20	42-10-001 42-10-002	Oak Log Assembly (for FCH-CO20) Birch Log Assembly (for FCH-CB20)	1
21	32-07-016	Power Cord w/ Socket & Switch Assembly	1



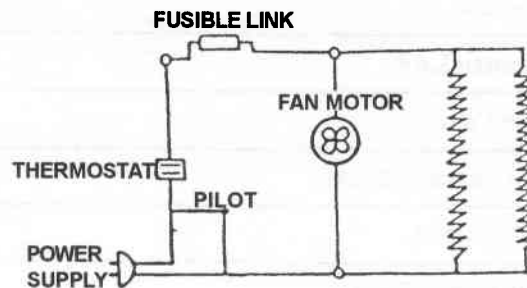
GROUNDING OR POLARIZATION:

This system is equipped with a polarized alternating-current line plug (a plug having one blade wider than the other). This plug will go into the power outlet only one way. This is a safety feature. If you are unable to insert the plug fully into the outlet, try reversing the plug. If the plug should still fail to fit, contact your electrician to replace the obsolete outlet. Do not defeat the safety purpose of the polarized plug.



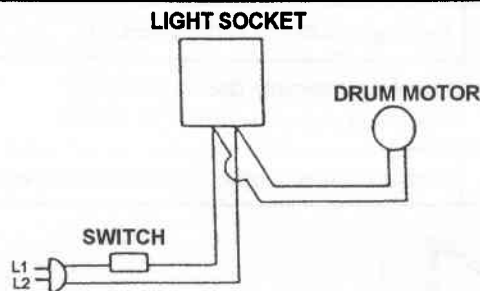
WIRING DIAGRAM (HEATER):

PORTABLE ELECTRIC AIR HEATER - MODEL # FCH-CO20/FCH-CB20
110/120 VOLT - 1500 WATT - 60 HZ



NOTE: Pilot light will stay on at all times when heater is connected to power supply line. If pilot light doesn't work, please call qualified service technician to inspect heating unit.

WIRING DIAGRAM (ELECTRIC LOG):



ONE YEAR LIMITED WARRANTY

If, within one year from date of original purchase, this item fails due to a defect in material or workmanship, we will replace or repair, free of charge. To order parts or obtain warranty service, call (800) 944-8982, Mon.-Fri., 8:30am-4:30pm (CST). This warranty does not cover defects resulting from improper or abnormal use, abuse, misuse, accident, or alteration. Failure to follow all instructions will also void this warranty. CFM Harris Systems will not be liable for incidental or consequential damages. Some states do not allow the exclusion or limitation of incidental or consequential damages, so the above limitation or exclusion may not apply to you. This warranty gives you specific legal rights, and you may also have other rights which vary from state to state.

CFM Harris Systems, Inc

Skokie, IL 60076

Free Manuals Download Website

<http://myh66.com>

<http://usermanuals.us>

<http://www.somanuals.com>

<http://www.4manuals.cc>

<http://www.manual-lib.com>

<http://www.404manual.com>

<http://www.luxmanual.com>

<http://aubethermostatmanual.com>

Golf course search by state

<http://golfingnear.com>

Email search by domain

<http://emailbydomain.com>

Auto manuals search

<http://auto.somanuals.com>

TV manuals search

<http://tv.somanuals.com>