



Professional Mixing Controller

PMIC-37Pro

OWNER'S MANUAL

VESTAX CORPORATION
1-18-6 Wakabayashi, Setagaya-ku, Tokyo 154-0023 Japan
Phone:03-3412-7011 Fax:03-3412-7013
Web:www.vestax.com

VESTAX (Europe)Ltd.
Unit 5 Riverwey Industrial Park Alton, Hampshire GU34 2QL England, U.K
Phone:(0)1420-83000 Fax:(0)1420-80040
Web:www.vestax.co.uk

Vestax Technical Center of America
8489 W.Third Street Ste.1044 Los Angeles CA 90048
Phone:1-323-801-2111 Fax:1-323-801-2112

Vestax Europe Technical Support
Rheinstr.213 D-53332 Bornheim Germany
Phone:49(0)2222-95-23-72 Fax:49(0)2222-95-23-74

CONGRATULATIONS!

Thank you for purchasing the VESTAX PMC37Pro, Professional Mixing Controller. Please read this owner's manual carefully before you start to use your mixer in order to fully understand all of the special features.

CONTENTS

| | |
|------------------------------------|----|
| C A U T I O N | 2 |
| IMPORTANT SAFEGUARDS | 3 |
| W A R R A N T Y | 4 |
| F E A T U R E S | 5 |
| F U N C T I O N S | 5 |
| HOW TO CHANGE THE FADER UNIT | 10 |
| CONNECTION DIAGRAM | 11 |
| SPECIFICATIONS | 12 |

| | | |
|---|--|---|
|  | CAUTION RISK OF ELECTRIC SHOCK DO NOT OPEN |  |
| CAUTION : TO REDUCE THE RISK OF ELECTRIC SHOCK DO NOT REMOVE COVER (OR BACK) NO USER-SERVICEABLE PARTS INSIDE REFER SERVICING TO QUALIFIED SERVICE PERSONNEL | | |



The lightning flash with arrowhead symbol, within an equilateral triangle, is intended to alert the user to the presence of uninsulated "dangerous voltage" within the product's enclosure that may be of sufficient magnitude to constitute a risk of electric shock to persons.



The exclamation point within an equilateral triangle is intended to alert the user to the presence of important operating and maintenance (servicing) instructions in the literature accompanying the appliance.

TO REDUCE THE RISK OF FIRE OR ELECTRIC SHOCK, DO NOT EXPOSE THIS APPLIANCE TO RAIN OR MOISTURE.

IMPORTANT SAFEGUARDS

READ BEFORE OPERATING EQUIPMENT

This product was designed and manufactured to meet strict quality and safety standards. There are, however, some installation and operation precautions which you should be particularly aware of.

1. Read instructions-All the safety and operating instructions should be read before the appliance is operated.
2. Retain instructions-The safety and operating instructions should be retained for future reference.
3. Heed Warnings-All warnings on the appliance and in the operating instructions should be adhered to.
4. Follow Instructions-All operating and use instructions should be followed.
5. Cleaning-Do not use liquid cleaners or aerosol cleaners. Use a damp cloth for cleaning.
6. Attachments-Do not use attachments not recommended by the product manufacturer as they may cause hazards.
7. Water and Moisture-Do not use this product near water-for example, near a bath tub, wash bowl, kitchen sink, or laundry tub, in a wet basement, or near a swimming pool, and the like.
8. Accessories-Do not place this product on an unstable cart, stand, tripod, or table. The product may fall, causing serious injury to a child or adult, and serious damage to the appliance. Use only with a cart, stand, tripod, bracket, or table recommended by the manufacturer, or sold with product. Any mounting of the appliance should follow the manufacturer's instructions, and should use a mounting accessory recommended by the manufacturer.
9. This product should never be placed near or over a radiator or heat register. This product should not be placed in a built-in installation such as a bookcase or rack unless proper ventilation is provided or the manufacturer's instructions have been adhered to.
10. Power sources-This product should be operated only from the type of power source indicated on the marking label. If you are not sure of the type of power supply to your home, consult your appliance dealer or local power company.
11. Lightning-For added protection of this product during a lightning storm, or when it is left unattended and unused for long periods of time, unplug it from the wall outlet. This will prevent damage to the product due to lightning and power-line surges.
12. Overloading-Do not overload wall outlets and extension cords as this can result in a risk of fire or electric shock.
13. Object and Liquid Entry-Never push objects of any kind into this product through openings as they may touch dangerous voltage points or short-out parts that could result in a fire or electric shock. Never spill liquid of any kind on the product.
14. Servicing-Do not attempt to service product yourself as opening or removing covers may expose you to dangerous voltage or other hazards. Refer all servicing to qualified personnel.
15. Damage Requiring Service-Unplug this product from the wall outlet and refer servicing to qualified service personnel under the following conditions:

- a. When the power-supply cord or plug is damaged.
 - b. If liquid has been spilled or objects have fallen into the product.
 - c. If the product has been exposed to rain or water.
 - d. If the product does not operate normally by following the operating instructions. Adjust only those controls that are covered by the operating instructions as an improper adjustment of other controls may result in damage and will often require extensive work by a qualified technician to restore the product to its normal operation.
 - e. If the product has been dropped or cabinet has been damaged.
 - f. When the product exhibits a distinct change in performance this indicates need for service.
16. Replacement Parts-When replacement parts are required, be sure the service technician has used replacement parts specified by the manufacturer or have the same characteristics as the original parts. Unauthorized substitutions may result in fire, electric shock or other hazards.
17. Safety Check-Upon completion of any service or repairs to product, ask the service technician to perform safety checks to determine that the product is in proper operating condition.
 18. Carts and Stands-The appliance should be used only with a cart stand that is recommended by manufacturer.
 19. An appliance and cart combination should be moved with care. Quick stops, excessive force, and uneven surfaces may cause the appliance and cart combination to overturn.



WARRANTY

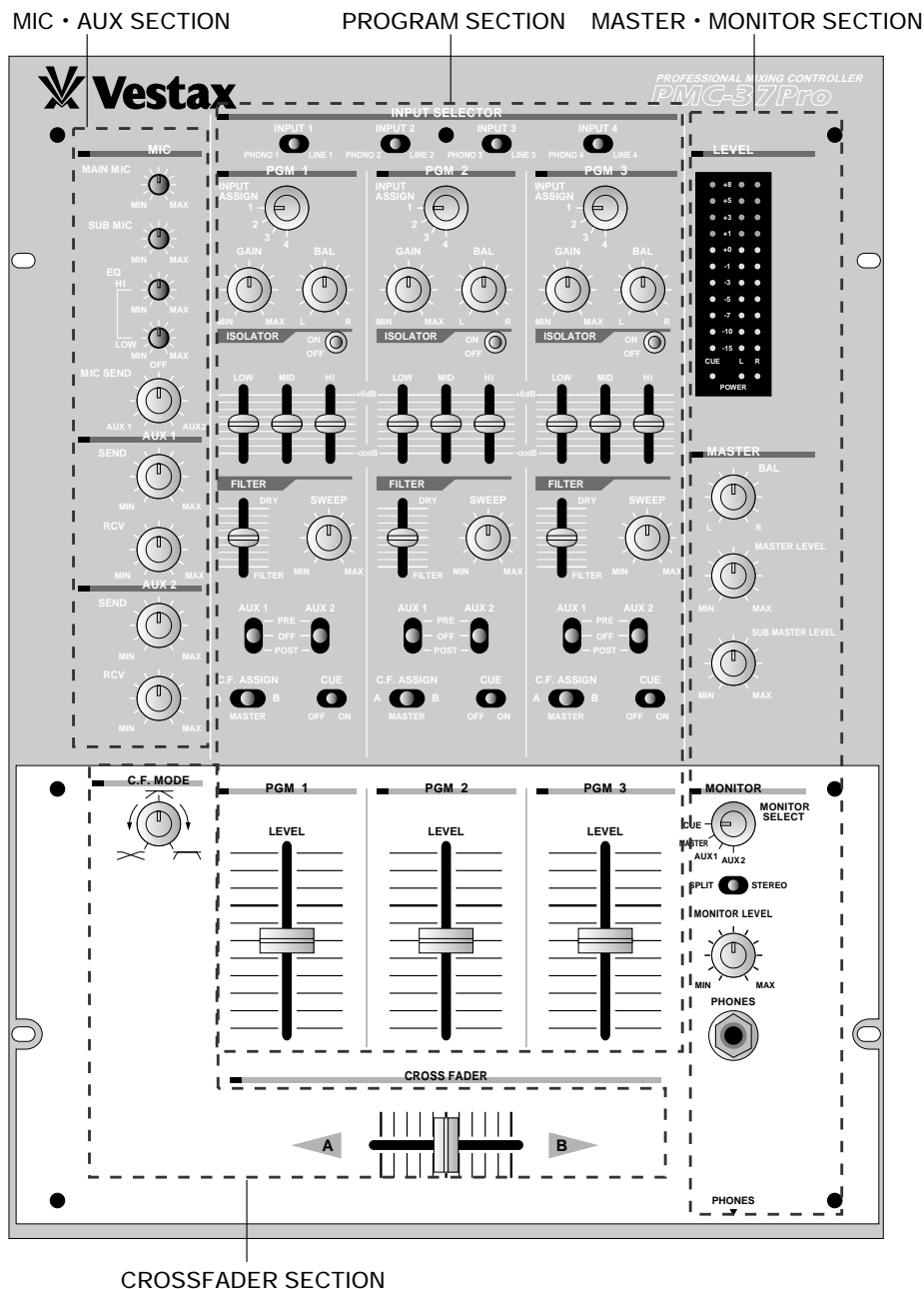
- PLEASE NOTE THAT INPUT FADERS AND CROSSFADERS ARE NOT COVERED BY THE NORMAL WARRANTY AS THEY ARE MOVING PARTS WHICH ARE SUBJECT TO WEAR AND TEAR, AND IN MANY CASES THEY ARE USER REPLACEABLE. THIS DOES NOT AFFECT YOUR STATUTORY CONSUMER RIGHTS.
- THE WARRANTY MIGHT VARY FROM COUNTRY TO COUNTRY. EACH DISTRIBUTOR HAS THEIR OWN WARRANTY SYSTEM IN ACCORDANCE WITH THE COUNTRY OR STATE REGULATIONS OR LAWS. VESTAX OBSERVES THE MANUFACTURING COUNTRY'S REGULATION.

FEATURES

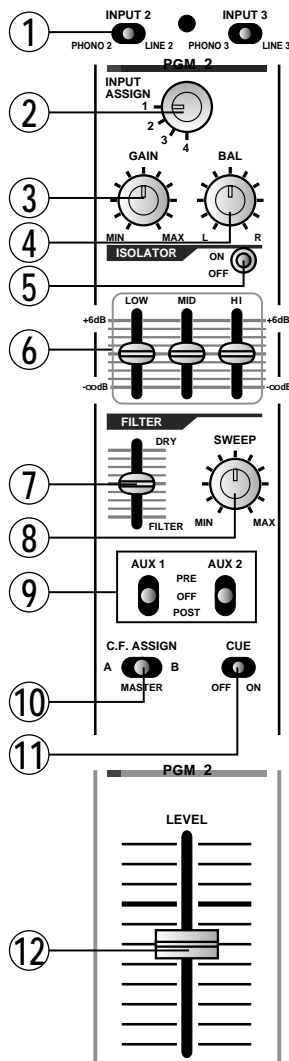
- Matrix input assign system allows instant selection of multiple sound sources for any input channel. Incredibly, for the first time, one turntable could be assigned to every program channel.
- 3 band isolator (slide volume control) on each program channel for extreme mixing techniques.
- Sweep filter control cuts or boosts a narrow frequency band giving DJs a new creative tool to add flanging type effects to their performance.
- High quality VCA circuitry provides optimum S/N, warm fat sound and broadcast quality audio.
- 2 effect loops with PRE/POST switches on each channel for ultimate control of effect processing.
- 2 microphone inputs with 2 band EQ and effect send/return.

FUNCTIONS

TOP PANEL



PROGRAM SECTION



① INPUT SELECT SWITCH

Used to select input source from either PHONO or LINE.

② INPUT ASSIGN SWITCH

Used to assign the signal from each input, INPUT1 to INPUT4, to be sent to each PGM.

③ PGM GAIN CONTROL

Adjusts the input level of each PGM. Set INPUT FADER (⑫) to 7-8 position and adjust the GAIN CONTROL so that a sufficient signal is fed without distortion.

④ PGM BALANCE CONTROL

Adjusts the stereo balance for each PGM. Can be used for adjusting an unbalanced stereo image. Clockwise rotation from center position increases

the volume of R over L channel. A counter clockwise rotation increases the volume of L channel over R.

⑤ ISOLATOR ON/OFF SWITCH

When set to "OFF", a full range signal is transmitted regardless of the position of any isolator controls.

⑥ ISOLATOR [HI/MID/LOW]

Cuts and boosts each frequency range. The level is flat when this knob is set at center (click point). Each frequency range can be boosted up to +6dB when this knob is pushed fully up. Pushing down will cut each frequency range.

⑦ DRY-FILTER MIX FADER

Allows control of the signal balance between dry and effect (FILTER) sound. When the fader is located at center, each signal level is the same.

⑧ SWEEP CONTROL

You can control peak point of band pass filter. When you rotate clockwise, the point is moved towards higher frequency. Rotating counter-clockwise moves point towards lower frequency.

⑨ AUX ASSIGN SWITCH

This switch enables the signal from each program to be sent to EFFECT SEND JACK (④). Different signal routes can be selected by moving this switch to the following different positions;

PRE: The signal before the input fader (after the EQ) will be sent to AUX output.

OFF: No signal will be sent to AUX output.

POST: The signal after the input and crossfader will be sent to AUX output.

⑩ C.F. ASSIGN SWITCH

Used to send the signal from each program to either side of the crossfader (A or B) or direct to the master. "A" for left side of the crossfader, "B" for right side.

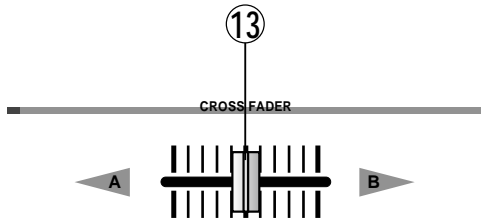
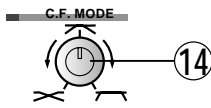
⑪ CUE SWITCH

Used to send the signal from each program to the monitor section for headphone monitoring.

⑫ INPUT FADER

Used to adjust the Input level of each program. Usually set to 7-8 position. This is a detachable fader for ease of replacement, replace with IF-37PCV when it is worn out. If you wish to use the fader unit with slide stroke distance of 45mm, you can replace with the Vestax "IF-05PCV". See "HOW TO CHANGE THE FADER UNIT".

CROSS FADER SECTION

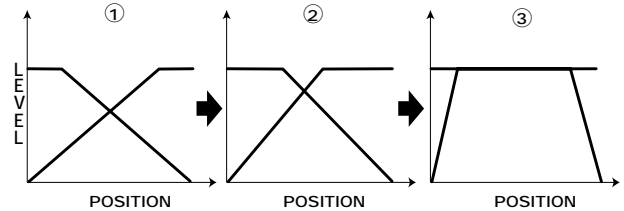


13 CROSS FADER

Mixes the signal assigned by C.F. ASSIGN SWITCH (10) to A side of the crossfader and B side. When the crossfader is set in the center position, both A and B can be heard. This is a detachable fader for ease of replacement with CF-37PCV when it is worn out. See "HOW TO CHANGE THE FADER UNIT".

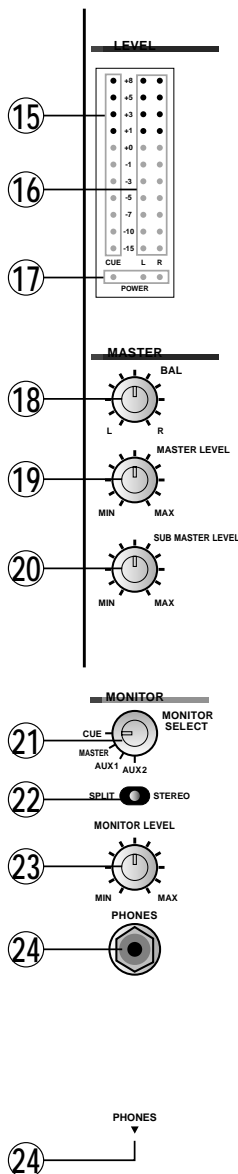
14 C.F. CURVE CONTROL

Adjusts the crossfader curve. Counter-clockwise rotation gives a gentle crossfade, good for long running mixes. Clockwise rotation gives a steep crossfade, suitable for scratching and cutting.



Rotate clockwise this volume, C.F curve changes like a chart (1 → 2 → 3)
fig-A CROSS FADER CURVE

MASTER-MONITOR SECTION



15 CUE LEVEL METER

The LED bar level meters indicate the signal level of PGM input selected by CUE SWITCH (11).

16 MASTER OUT LEVEL METER

The LED bar level meters indicate the L and R outputs.

17 POWER INDICATOR

Lights up when the POWER SWITCH (31) is on.

18 MASTER BALANCE VOLUME

Adjusts the signal balance of the L to R side of outputs from MASTER OUTPUT JACK (39) on the rear panel.

19 MASTER LEVEL VOLUME

Adjusts the signal level outputs from MASTER OUTPUT JACK (39) on the rear panel.

20 SUB-MASTER LEVEL VOLUME

Adjusts the signal level outputs from SUB-MASTER OUTPUT JACK (40) on the rear panel.

21 MONITOR SELECT SWITCH

Used to select the cue monitor for PGM1~ 4 (selected by CUE position), MASTER out and effect receive (AUX 1 or AUX 2).

22 MONITOR STYLE SELECT SWITCH

When this switch is set to "SPLIT", the master signal is always heard through the right ear-cup of the headphones. The signal selected by MONITOR SELECT SWITCH (21) will be heard in the left ear-cup. This enables both programs to be monitored simultaneously, thus assisting in beat mixing. When this switch is set to "STEREO", no master output is heard in the headphones, and only the signal selected by MONITOR SELECT SWITCH (21) will be heard in both ear-cups.

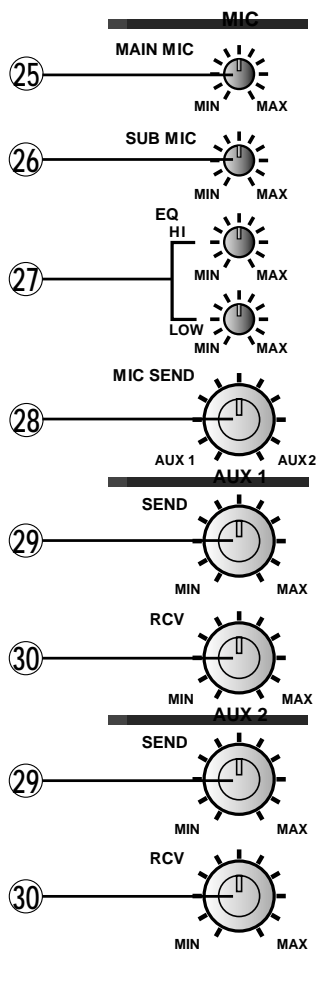
23 MONITOR LEVEL VOLUME

Adjusts the monitor level through the headphones.

24 HEADPHONE JACK

Use this jack to connect the headphones. Headphones from 8ohm to 600ohm can be used.

MIC-AUX SECTION



②5 MAIN MIC LEVEL VOLUME

Adjusts the input level of the MAIN MIC input (37).

②6 SUB MIC LEVEL VOLUME

Adjusts the input level of the SUB MIC input (38).

②7 MIC EQUALIZER [HI /LOW]

Adjusts the HI and LOW frequencies for both the MAIN and SUB MIC input.

②8 MIC AUX SEND SELECT

Allows the input signal from MIC inputs to be sent to AUX1 and AUX2. Turn this control counter-clockwise to send output to AUX1. Turn clockwise to send output to AUX2.

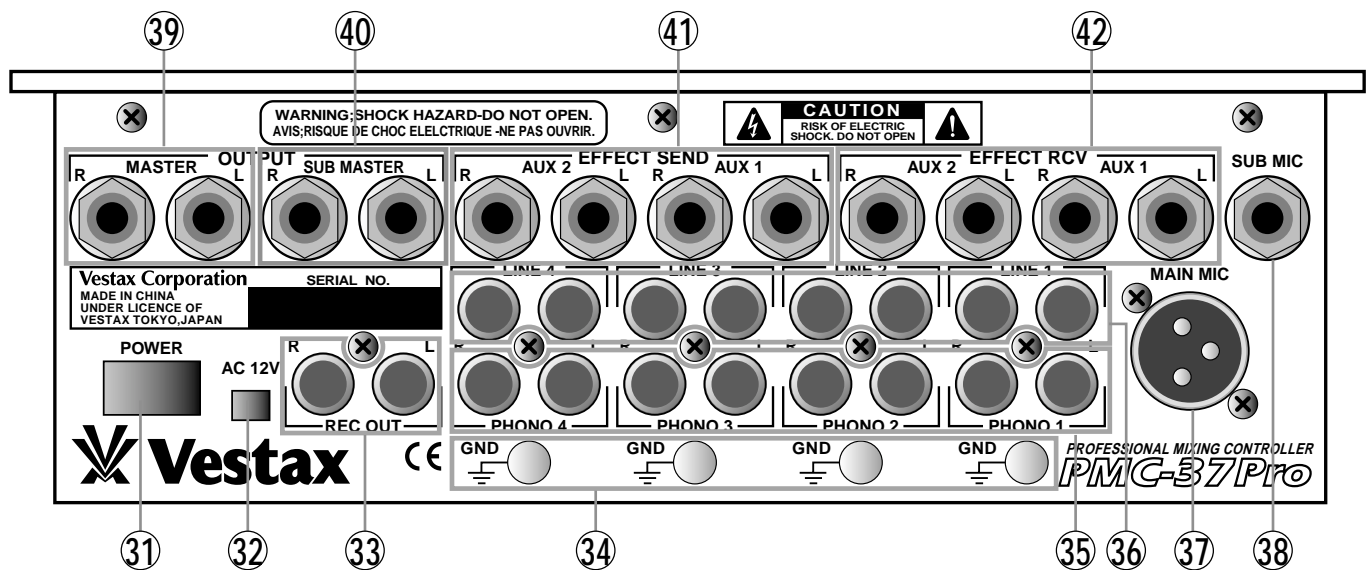
②9 AUX SEND LEVEL VOLUME

Adjusts the output level from EFFECT SEND JACK (41). Output signal can be selected by AUX ASSIGN SWITCH (9).

③0 AUX RECEIVE LEVEL VOLUME

Adjusts the input level from EFFECT RECEIVE JACK (42).

REAR PANEL



① POWER SWITCH

Use to turn power on.

② POWER INPUT JACK

Connect the AC-12A, AC adaptor (12V AC, 1000mA).

③ REC OUTPUT JACK [RCA PIN JACK]

Connect to the input jack of the tape recorder, MD, DAT, etc. The output level of this jack is fixed and does not change with the MASTER LEVEL VOLUME (19).

④ GROUND TERMINAL

Connect this terminal to the ground lead of the turntables.

⑤ PHONO INPUT JACK [RCA PIN JACK]

Connect turntables equipped with MM (Moving Magnet type) cartridge. The signal from the turntable is fed to the PGM channels when Phono input is selected.

⑥ LINE INPUT JACK [RCA PIN JACK]

Connect the equipment with line level output (-10dB or 0dB), such as CD players, tape decks, DATs, MDs, etc. The signal from line level equipment is fed to the PGM channels when Line input is selected.

⑦ MAIN MIC JACK [XLR/pin 2: HOT]

Input jack for MAIN MIC.

⑧ SUB-MIC JACK [1/4" PHONE JACK]

Input jack for SUB MIC.

⑨ MASTER OUTPUT JACK [1/4" TRS BALANCED JACK]

Connect to the input of power amp.

Tip----HOT
Ring---COLD
Sleeve--GROUND

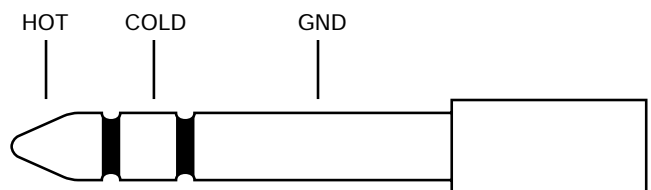


fig-B. T.R.S JACK

⑩ SUB MASTER OUTPUT JACK [1/4" PHONE JACK]

Connect to input of power amp as monitor in DJ booth or as a separate sound zone for entrance foyer etc.

⑪ EFFECT SEND JACK [1/4" PHONE JACK]

Connect to the input of the external effects. (Delay, Reverb etc)

⑫ EFFECT RECEIVE JACK [1/4" PHONE JACK]

Connect to the output of the external effects. Can also be used as an extra input jack.

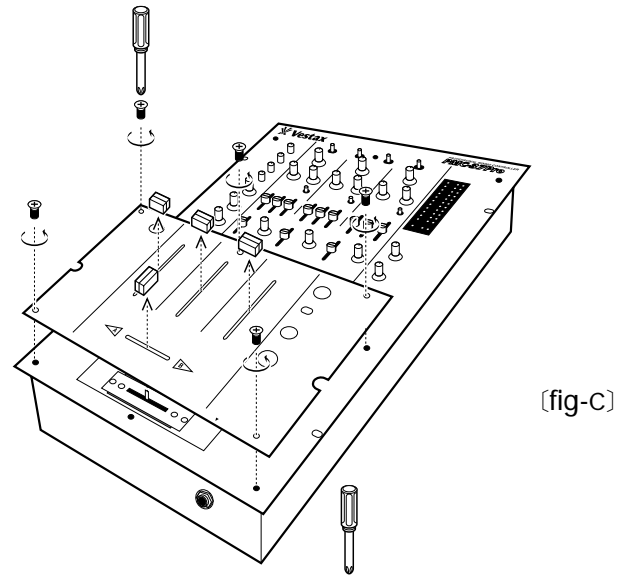
HOW TO CHANGE THE FADER UNIT

Note

Use a No. 1 Phillips screwdriver.

HOW TO REMOVE THE TOP PANEL


- ① Remove all fader knobs and the 5 screws which fix the top panel. (See fig-C)
- ② Remove the top panel.



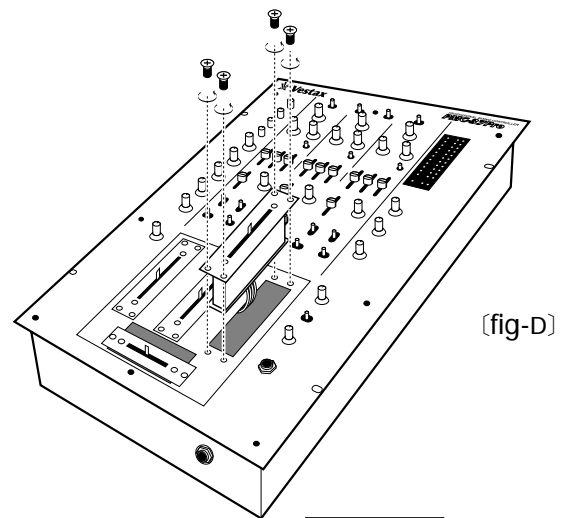
HOW TO CHANGE THE FADER UNIT

- ① Remove the screws on the fader panel. (See fig-D)

Caution


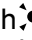
When you change any parts, do not loosen the screws with  marking.

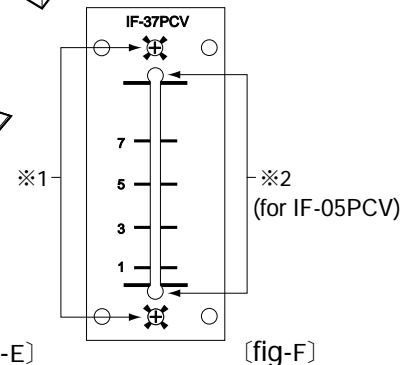
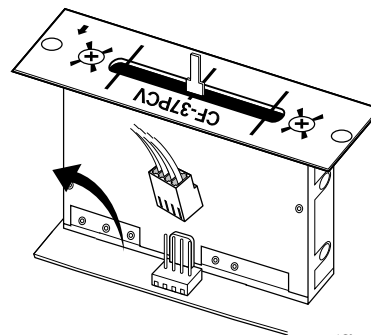
- ② Remove the fader unit from position in mixer. (See fig-D)
- ③ Carefully remove the multi-cable connector from fader unit. (See fig-E)
- ④ Attach multi-cable connector to new fader unit.
- ⑤ Position the fader unit carefully and secure with screws.



HOW TO REPLACE THE INPUT FADER UNIT WITH "IF-05PCV"

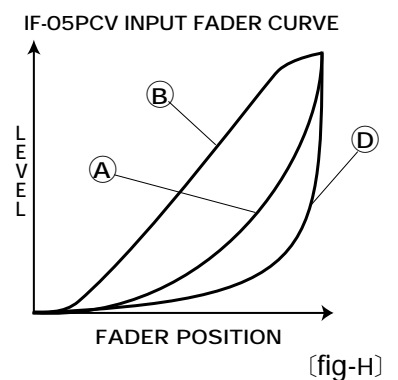
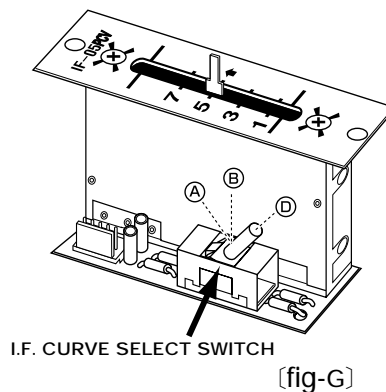
■CHANGE TO "IF-05PCV"

- ① Remove the input fader unit "IF-37PCV".
- ② Loosen 2 screws with  marking on IF-37PCV (see fig-F.※1), and remove the fader panel from fader (VR) assembly.
- ③ Remove the fader knob of IF-05PCV.
- ④ Loosen 2 screws with  marking on IF-05PCV, and remove the fader panel from fader (VR) assembly.
- ⑤ Install the fader panel of IF-37PCV to the fader unit (VR assembly) of IF-05PCV. (See fig-F.※2)

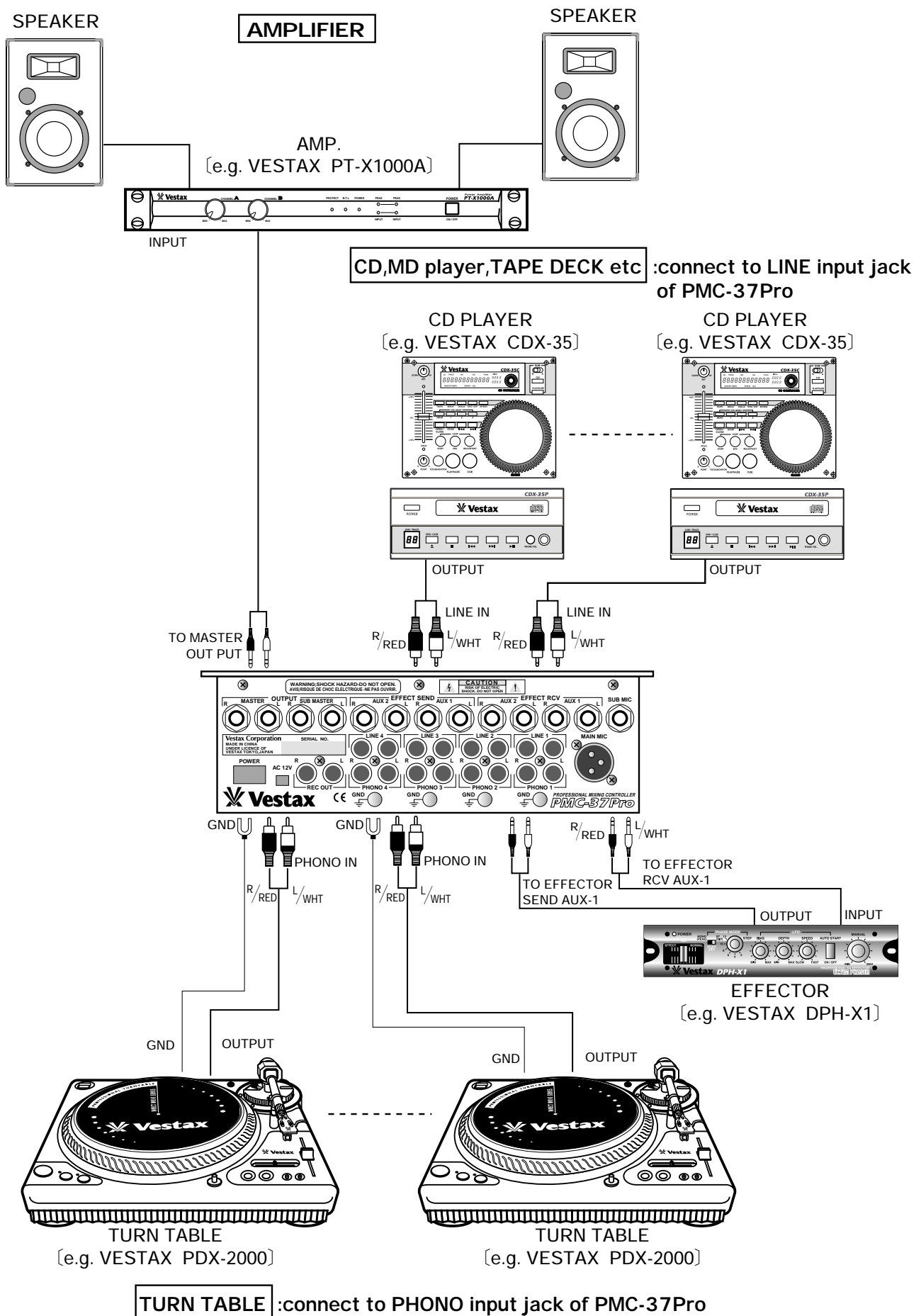


■I.F. CURVE SELECT SWITCH

Adjusts the input fader curve pattern. (See fig-G) You can select I.F. curve pattern from A, B or C type curve. (See fig-H)



CONNECTION DIAGRAM [example]





SPECIFICATIONS

| | | NOMINAL INPUT | IMPEDANCE |
|--------------------|-----------------------------------|-------------------|----------------|
| INPUT SECTION | PHONO 1~4 (RCA PIN JACK) | -45dBv | 470Ω |
| | LINE 1~4 (RCA PIN JACK) | 0dBv | 47KΩ |
| | MIC (1/4" PHONE JACK) | -50dBv | 47KΩ |
| | EFFECT RECEIVE (1/4" PHONE JACK) | 0dBv | 3.3KΩ |
| | | NOMINAL OUTPUT | LOAD IMPEDANCE |
| OUTPUT SECTION | MASTER (TRS BALANCED JACK) | +4dBv | >10KΩ |
| | SUB MASTER (1/4" UNBALANCED JACK) | 0dBv | >10KΩ |
| | REC. OUT (RCA PIN JACK) | -10dBv | >10KΩ |
| | EFFECT SEND (1/4" PHONE JACK) | 0dBv | >10KΩ |
| | | MAXIMUM OUTPUT | IMPEDANCE |
| | HEADPHONE (1/4" PHONE JACK) | 187mW (150Ω load) | >8Ω |
| FREQUENCY RESPONSE | | 20~20kHz | |
| S/N RATIO | | <-80dBv | |
| POWER SUPPLY | | AC12V 1000mA | |
| DIMENSIONS (W×H×D) | | 302×103×406 (mm) | |
| WEIGHT | | 5.8kg | |



Vestax Corporation 1-18-6 Wakabayashi, Setagaya-ku, Tokyo 154-0023 Japan
Telephone : 81-(0)3-3412-7011 Fax : 81-(0)3-3412-7013. www.vestax.jp

***This is to certify that the product subsequently referred to
was designed and manufactured in conformity with the
following EC directives;
89/336/EEC (EMC)
73/23/EEC (LVD)***

Model type : Professional Mixing Controller

Model Description : Professional DJ Mixer

Model Number : PMC-37Pro

Applicable Standards : EN55013:1990 Limits and methods of measurement of radio disturbance characteristics of broadcast receivers and associated equipment (including amendments A12:1994) (CISPR13:1975/Amdt1:1983, modified)

EN61000-3-2: 2000 Electromagnetic compatibility (EMC) - Part 3-2: Limits - Limits for harmonic current emissions (equipment input current up to and including 16 A per phase)

EN61000-3-3:1995 Electromagnetic compatibility (EMC) - Part 3-3: Limits - Limitation of voltage changes, voltage fluctuations and flicker in public low-voltage supply systems - Equipment with rated current <16 A per phase and not subject to conditional connection

EN55020:1994 Electromagnetic immunity of broadcast receivers and associated equipment

Date : Wednesday, March 27, 2002

Place of issue : Vestax Corporation, 1-18-6 Wakabayashi, Setagaya-ku, Tokyo 154-0023 Japan

**Manufacturers Authorized
Signature :**

Function of Signatory :

Masaaki Shiomi

Director

Free Manuals Download Website

<http://myh66.com>

<http://usermanuals.us>

<http://www.somanuals.com>

<http://www.4manuals.cc>

<http://www.manual-lib.com>

<http://www.404manual.com>

<http://www.luxmanual.com>

<http://aubethermostatmanual.com>

Golf course search by state

<http://golfingnear.com>

Email search by domain

<http://emailbydomain.com>

Auto manuals search

<http://auto.somanuals.com>

TV manuals search

<http://tv.somanuals.com>