

PL8000

HEAVY DUTY PRINTING CALCULATOR



INSTRUCTION MANUAL

Operations and General Maintenance.....	3
Loading Paper.....	4
Battery Replacement.....	5
Keyboard Layout.....	6
Slide Switch Features.....	7
Key Features.....	9
Troubleshooting.....	12
Application Examples	
1.PROG function	
a. Set TAX1, TAX2.....	13
b. Set Currency.....	13
c. Set Time/Date.....	14
d. Set Greeting.....	14
e. Set Language.....	15
2.Backspace.....	16
3.Rounding for Addition/ Subtraction.....	16
4.Addition & Subtraction.....	17
5.Addition/Subtraction in Add Mode.....	17
6.Addition/Subtraction with Item Count in Gross Setting.....	17
7.Grand Total Memory.....	17
8.Repetitive Calculation with Reference to Date.....	17
9.Multiplication.....	17
10. Sequential (Chain) Multiplication.....	18
11. Constant Multiplication.....	18
12. Constant Multiplication with Accumulation.....	18
13. Division.....	19
14. Constant Division.....	19
15. Division with Accumulation.....	19
16. Units/Price Calculations.....	20
17. Tax Calculation.....	21
18. Percent Add On.....	22
19. Percent Discount.....	22
20. Chain Discount with Total Amount of Discount.....	22
21. Gross Profit Margin Calculation COST-SELL-MARGIN.....	23
22. Markdown and Selling Price.....	23
23. Invoice.....	24
24. Payroll.....	25
25. Memory Calculation.....	26
26. Time Calculation.....	27
27. Date Calculation.....	28
28. Loan Calculation.....	29
29. \$ Currency Conversion function.....	29
30. TEXT function.....	30
31. Reprint function.....	30
32. HELP function.....	31
33. Technical specification.....	32
34. FCC rules.....	33

BEFORE TURNING ON - Please check the rating label on the bottom to see if the rated voltage corresponds to the local voltage before plugging in the AC cord.

CAUTIONS

- The calculator must not be covered when turned on. This will cause the unit to overheat.
- Do not use organic solutions such as alcohol to clean the housing.
- Do not use or leave the calculator in the direct sun light. Areas subject to quick temperature changes, high humidity and dirt should be avoided.

GENERAL MAINTENANCE

1. Do not place the machine in hot, dusty or damp locations.
2. To clean the housing, use a silicon-treated cloth. Do not use water or detergents.
3. Do not place anything on the housing, particularly on the head of the printer mechanism.
4. Turn off the power switch before removing the plug from AC wall outlet.
5. Turn the power switch off while not in use.

Loading Paper

1. Plug in calculator and turn it on.
2. Cut or tear evenly the end of the paper roll to get a straight edge.
3. Place the paper roll on the dual paper holders.
4. Push the lever up and Insert the paper as shown in diagram 1.
5. Push down the lever as shown in diagram 2.

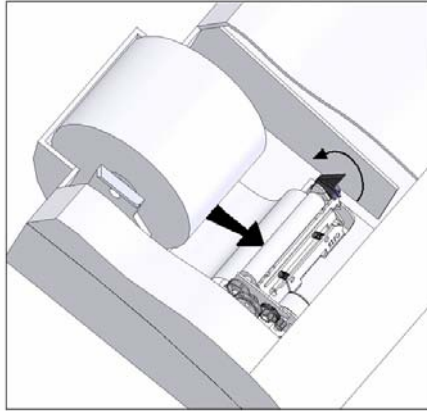


Diagram 1: Turn the lever upwards and insert the paper

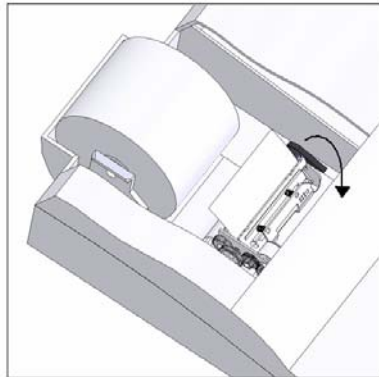
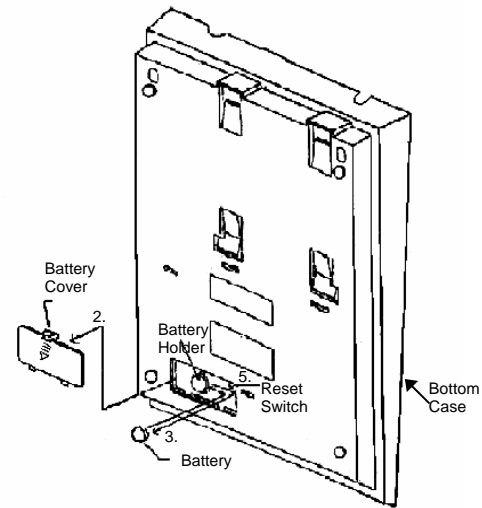


Diagram 2: Turn the lever downwards to lock the paper roll

BATTERY REPLACEMENT

1. Turn the AC power switch off
2. Remove - the battery compartment cover located on the calculator's bottom case.
3. Remove the old battery and install a new CR2025 or equivalent.
4. Turn on the AC power switch
5. **PRESS THE RESET BUTTON**
6. Replace the battery compartment cover.
7. Reprogram the date and time.

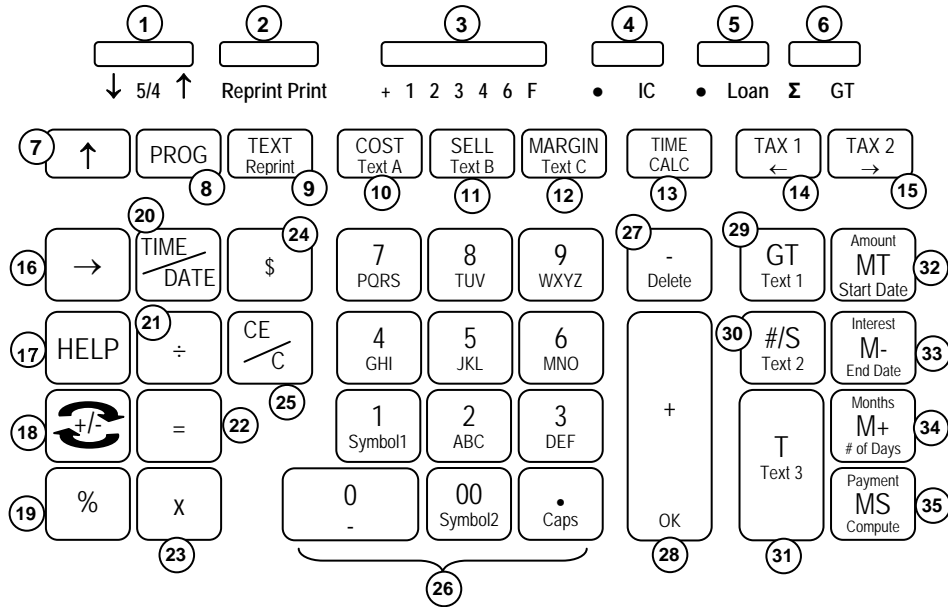


CAUTION

There is danger of explosion if the battery is being replaced incorrectly. Only replace with the same or equivalent type of battery which is recommended by the manufacturer.

Dispose of used batteries according to the manufacturers' instructions.

Model PL8000 Keyboard Layout



1. Rounding Selector	19. Percent key
2. Print / Reprint Switch	20. Time / Date display key
3. Decimal Selector	21. Division key
4. Item Count Switch	22. Equal key
5. Loan Calculation Switch	23. Multiplication key
6. Sigma / Grand Total Switch	24. Currency Conversion key
7. Paper Feed	25. Clear Entry / Clear key
8. Program key	26. Numeric Key Pad
9. Text Mode / Reprint key	27. Subtraction / Delete key
10. Cost / Text A key	28. Addition / OK key
11. Sell / Text B key	29. Grand Total / Text 1 key
12. Margin / Text C key	30. Subtotal / Date / Text 2 key
13. Time / Date Calculation	31. Total / Text 3 key
14. Tax 1 / ← key	32. Memory Total/Amount/Start Date key
15. Tax 2 / → key	33. Memory Subtraction/Interest/End Date key
16. Back Space key	34. Memory Addition/Months/No.of Days key
17. Help key	35. Memory Subtotal/Payment/Compute key
18. Sign Change key	

This section describes the mode switches, data entry keys, and operating keys provided on your calculator. The following terms are used in discussing your calculator's operation:

- The **accumulator** is the area of the calculator's logic that stores a running total of the results of addition and subtraction operations. It is the "adding machine" portion of the calculator.
- The **calculating register** is the area of the calculator's logic where the intermediate and final results of multiplication, division and percentage calculations are stored. The contents of the calculating register do not affect the accumulator.
- The **keyboard register** is the area of the calculator's logic that stores the value that will immediately be used in the next calculation.
- The **item count register** is the area of the calculator's logic that counts your entries into the accumulator
- The **memory register** is the area of the calculator's logic that accumulates amounts you add to or subtract from the memory. Because the memory register is independent of the accumulator and the calculating register, it retains its value until you clear it with the Memory Total (MT) key.

SLIDE SWITCH FEATURES

This section illustrates and describes the mode switches you can use to control your calculator's operation.

- 1. ↓ 5/4 ↑ Rounding Selector**
 - ↓ Round down (truncation) the calculation result.
 - 5/4 Round off the calculation result, if the last digit of the result is followed by a value of 0 to 4, the digit is unchanged. If the last digit of the result is followed by a value of 5 to 9, the digit will be rounded up.
 - ↑ Round up the calculation result.
- 2. Reprint Print Print / Reprint Switch**
 - Reprint** Non-print mode. Printer is activated when Feed Key, Non-add/Date (Non-print) Key, Help Key, or Reprint Key is pressed.
 - Print** Printer is activated as long as calculator is turned on.

- 3. + 0 1 2 3 4 6 F Decimal Point Selector**
- +** Monetary Add Mode. At this setting, amounts entered are assumed to be monetary. The calculator automatically supplies a decimal point to the left of the last two digits entered. Use this setting to add, subtract, multiply and divide decimals.
- Units/price mode operation:**
 Multiplication: The first factor will be entered as a whole number and the second factor will have a decimal point supplied to the left of the last two digits.
 Division: The first factor will have a decimal point supplied to the left of the last two digits and the second factor will be entered as a whole number.
- 0,1,2,3, 4, 6** Fixed decimal point mode; these settings specify the number of digits to the right of the decimal point that are shown in the result.
- F** Floating decimal point mode; this setting specifies that all digits of the result are shown, up to a maximum of 10 on model 1530-6, and 12 on model 1560-6 and 14 on model 1570-6. If the result exceeds these capacities, excess digits to the right of the decimal point are dropped. No rounding takes place.
- 4. • IC Item Count Switch**
- No Item Count Printing Mode, item count will not print, when the Accumulator, Memory, or Grand Total are utilized.
- IC** Print Item Count, item count will print when the Accumulator, Memory, or Grand Total are recalled or utilized, except when in Text Mode. Item Counter for the Accumulator will always be displayed in the top left corner of the display.
- 5. • Loan Loan Calculation Switch**
- Loan calculation is disabled and memory keys are enabled.
- Loan** Loan calculation is enabled and the memory keys are disabled.
Note: Time and Date calculation is disabled in this mode.
- 6. Σ GT Sigma or Grand Total Switch**
- Σ** When the switch is in the " Σ " position, the results of multiplication or division calculations completed by the = or % key are automatically added to the Accumulator. The sum of these accumulations is displayed by depressing the **#/S** (Subtotal) key and are displayed and cleared by depressing the **T** (Total key).
- GT** Any total taken with **T** key is automatically accumulated to Grand Total memory. The accumulated grand total can be recalled by pressing the **GT** key.

KEY FEATURES

7. [↑] **Paper Feed Key**
Advance the paper roll.
8. [PROG] **Program Key**
Program Tax Rate, Currency Rate, Time/Date, Greeting message, and Language.
9. [TEXT/Reprint] **Text Mode / Reprint Key**
Print Switch On: Press once to enter Text Mode.

Reprint Switch On: Print Entries (Maximum 24lines) since last clear.
10. [COST/Text A] **Cost / Text A Key**
COST Enter the Cost in a Gross Profit Margin calculation.

Text A Under Text Mode, use this key to print or save Text A.
11. [SELL/Text B] **Sell / Text B Key**
SELL Enter the Selling in a Gross Profit Margin calculation.

Text B Under Text Mode, use this key to print or save Text B.
12. [MARGIN/Text C] **Margin / Text C Key**
Margin Enter the desired Margin in a Gross Profit Margin calculation.

Text C Under Text Mode, use this key to print or save Text C.
13. [TIME CAL] **Time Calculation Key**
Pressing this key once will set the calculator to Time Calculation Model allowing hours and minutes to be added, subtracted, subtotaled, and totaled.
Second depression will set the calculator to Date Calculation Mode.
In Date mode,
 MT key operate as **Start Date** key,
 M- key operate as **End Date** key,
 M+ key operate as **Number of Days** key
 MS key operate as **Compute** key.
14. [TAX1/←] **Tax 1 / Left Cursor Key**
TAX1 Calculate an amount of tax with tax rate preset by **PROG** key. Use **+** key for calculating an amount including tax, and **-** key for calculating an amount excluding tax.

← Work as cursor key, under Program Mode, or Text Mode.
15. [TAX2/→] **Tax 2 / Right Cursor Key**
TAX2 Calculate an amount of tax with tax rate preset by **PROG** key. Use **+** key for calculating an amount including tax, and **-** key for calculating an amount excluding tax.

→ Works as cursor key, under Program Mode, or Text Mode.
16. [→] **Back Space Key**
Delete the right most character of a live entry.

17. **[Help]** **Help Key**
Press Help Key; followed by any function key, to read the help message.
Press [OK] key to print longer message.
18. **[+/-]** **Sign Change Key**
Reverse the sign on the display.
19. **[%]** **Percent Key**
Completes percent calculation when Multiple or Division key is used.
20. **[TIME/DATE]** **Time / Date Display Key**
Recall Date and Time alternatively.
21. **[÷]** **Division Key**
The Division key performs division, automatic constant division and intermediate sequential operations. It establishes the next amount as a constant divisor. The ÷ key also causes the calculator to divide when you depress the =, %, +, -, **M+**, **M-**, **X** or ÷ key. Each divisor entry is retained as a constant (except +, -, **M+** and **M-** entries) until you depress the **x**, ÷ or **Clear**.
- Square Root function**
Depress the [=] key just after [÷] key, to perform a square root calculation.
22. **[=]** **Equal Key**
To calculate multiplication or division.
23. **[x]** **Multiplication Key**
The Multiplication key performs multiplication, automatic constant multiplication and intermediate sequential operations. It establishes the amount entered or the printed /displayed amount as a constant multiplicand. The X key also causes the calculator to multiply when you depress the =, %, +, -, **M+**, **M-**, **X** or ÷ key. Each multiplicand entry is retained as a constant (except +, -, **M+** and **M-** entries) until you depress the **x**, ÷ or **Clear**.
24. **[\$]** **Currency Conversion Key**
Converts the entered/display value to Foreign Currency.
If this key is pressed just after [÷] key, it will convert the entered/display value to Local Currency.
25. **[CE/C]** **Clear Entry / Clear Key**
Clears a live entry by pressing this key once. Press twice to clear the accumulator or pending calculation. Does not clear the Memory or Grand total.
26. **[0] ~ [9],**
 [00] & [.] **Numeric keys**
The calculator using the conventional 10-key indexing keyboard, and includes the double zero key and decimal point key.
27. **[- / Delete]**
 - **Subtraction / Delete Key**
Subtracts an amount from the Accumulator. To subtract the same amount more than one time (repeat subtraction), enter that amount once and depress the Minus key as many times as necessary. If this key is depressed immediately after [%] key, it works as percent minus key.
- Delete** This key work as Delete key under TEXT Mode.

- 28. [+ / OK]**
+ **Addition / OK Key**
 Adds an amount to the Accumulator. To add the same amount more than one time (repeat addition), enter that amount once and depress the Plus key as many times as necessary. If this key is depressed immediately after [%] key, it works as percent plus key.
- OK**
 Under PROG mode or TEXT mode, this key work as OK key, for confirm the selection.
- 29. [GT / Text 1]**
GT **Grand Total / Text 1 Key**
 Print and clear the Grand Total Memory or Total Sigma.
- Text 1**
 Under Text Mode, use this key to print or save Text 1.
- 30. [#S / Text 2]**
**Date / Subtotal / Text 2 Key**
 Print live entry as an identifier, like an invoice number, with “#” mark.
- S**
 Prints but does not clear the accumulator.
- Text 2**
 Under Text Mode, use this key to print or save Text 2.
- 31. [T / Text 3]**
T **Total / Text 3 Key**
 Prints and clears the accumulator.
- Text 3**
 Under Text Mode, use this key to print or save Text 3.
- 32. [MT / Amount / Start Date]**
MT **Memory Total / Amount / Start Date Key**
 Prints and clears the memory.
- Amount**
 Under Loan Mode, press this key to carry out the Calculation of Loan Amount.
 *Refer to Page 29 for detail operation.
- Start Date**
 Under Date Calculation Mode, press this key to enter Start Date.
 * Entry format : MM-DD-YYYY
 * Refer to Page 28 for detail operation.
- 33. [M- / Interest / End Date]**
M- **Memory Subtraction / Interest / End Date Key**
 Subtracts an amount from memory. If there is a live calculation pending, the Memory Minus key will complete the calculation and subtract the amount from Memory.
- Interest**
 Under Loan Mode, press this key to carry out the Calculation of Loan Interest.
- End Date**
 Under Date Calculation, press this key to enter End Date.
 * Entry format : MM-DD-YYYY
 * Refer to Page 28 for detail operation.

34. [M+ / Months / # of Days]

Memory Plus / Months / # of Days Key

- M+** Adds an amount to memory. If there is a live calculation pending, the Memory plus key will complete the calculation and accumulate the result to Memory.
- Months** Under Loan Mode, press this key to carry out the Calculation of Months.
- # of Days** Under Date Calculation, press this key to enter # of Days.

35. [MS / Payment /]

Memory Subtotal / Payment / Compute Key

- MS** Prints but do not clear the memory.
- Payment** Under Loan Mode, press this key to carry out the Calculation of Monthly Payment.
- Compute** Under Date Calculation mode, press this key to calculate days between dates, future date or past date.

Troubleshooting

Many problems, such as no power, no key response, can be resolved by using the RESET button. Please follow these instructions:

1. Machine must be plugged in and ON, and in the PRINT mode.
2. Turn machine over so you can see the battery compartment.
3. Open the battery compartment and locate the RESET button located next to the silver battery.
4. Depress the RESET button; you will hear the machine cycle. If you do not hear the machine recycle, push the button a 2nd time.
5. Replace the battery compartment cover and turn the machine right side up.
6. Test the machine.

If this procedure has not successfully resolved your problem please call 1-800-628-2420 for further assistance.

Application Examples

1. PROG function

Rounding Print Decimal IC Loan Σ/GT
 5/4 Print F • • Σ

- a. **Set TAX1, TAX 2**
 Set TAX1 Rate to 5.25%, Set TAX1 to GST
 Set TAX2 Rate to 6.25%.

<u>Enter</u>	<u>Display</u>	<u>Paper</u>
[PROG]	SET TAX1?	GST% 5.25 %
[OK]	TAX1 0. %	TAX2% 6.25 %
5.25	TAX1 5.25 %	
[TEXT]	DESC A TAX1 5.25 %	
	(T' is blinking, ready for enter TEXT)	
4	DESC A GAX1 5.25 %	
7777	DESC A GSX1 5.25 %	
8	DESC A GST1 5.25 %	
[Delete]	DESC A GST_ 5.25 %	
[OK]	SET GST	
	0.	
[PROG]	SET TAX1?	
[PROG]	SET TAX2?	
[OK]	TAX2 0. %	
6.25	TAX2 6.25 %	
[OK]	SET TAX2	
	0.	

- b. **Set Currency**
 Set Currency Rate to 0.745212, and change the 'CurrB' to 'EURO'.

<u>Enter</u>	<u>Display</u>	<u>Paper</u>
[PROG]	SET TAX1?	USD 0.745212
[PROG]	SET TAX2?	
[PROG]	SET CURRENCY?	
[OK]	USD 1.	
0.745212	USD 0.745212	
[OK]	DESC A CurrB	
	(C' is blinking, and ready for modification)	
33	DESC A EurrB	
88	DESC A EUrrB	
777	DESC A EURrB	
666	DESC A EURO _r B	
[Delete]	DESC A EURO _r	
[OK]	SET CURRENCY	
	0.	

c. Set Time/Date

Set Time to 5 :04pm (Time setting always entry in military format)

Set Date to May-31-2007

Set Time format to 24Hours (Default is 12Hours)

Set Date format to MM-DD-YYYY (Default is MM-DD-YYYY)

<u>Enter</u>	<u>Display</u>	<u>Paper</u>
[PROG]	SET TAX1?	05:04 PM
[PROG]	SET TAX2?	MAY 31 2007 THU
[PROG]	SET CURRENCY?	0. <input type="text" value="CL"/>
[PROG]	SET TIME / DATE?	MAY 31 2007 THU
[OK]	00:39 <small>('0' is blinking, and ready for modification)</small>	17:05
1704(military format)	17:04	0. <input type="text" value="CL"/>
[OK]	01-01-2007 <small>('0' is blinking, and ready for modification)</small>	
0531	05-31-2007 <small>('2' is blinking)</small>	
[OK]	12 HOURS	
[TAX1/←] (or [TAX2/→])	24 HOURS	
[OK]	MM-DD-YYYY	
[OK]	SET TIME / DATE	
[CE/C]		0.
[TIME/DATE]	MAY-31-2007 THU	0.
[TIME/DATE]	17:05:30	0.
[CE/C]		0.

d. Set Greeting

Set Greeting message to 'HAVE A NICE DAY'

<u>Enter</u>	<u>Display</u>	<u>Paper</u>
[PROG]	SET TAX1?	
[PROG]	SET TAX2?	
[PROG]	SET CURRENCY?	
[PROG]	SET TIME / DATE?	
[PROG]	SET GREETING?	
[OK]	DESC A 15 VICTOR PL8000	
Press & hold [Delete] <small>(For clear display under TEXT mode)</small>	DESC A 00 _ <small>(blinking and ready for entry words)</small>	
Enter 'H' : 44	DESC A 01 H_	
Enter 'A' : 2	DESC A 02 HA_	
Enter 'V' : 888	DESC A 03 HAV_	
Enter 'E' : 33	DESC A 04 HAVE_	
Enter ' ' : 0	DESC A 05 HAVE _	
Enter 'A' : 2	DESC A 06 HAVE A_	
Enter ' ' : 0	DESC A 07 HAVE A _	
Enter 'N' : 66	DESC A 08 HAVE A N_	
Enter 'l' : 444	DESC A 09 HAVE A Nl_	
Enter 'C' : 222	DESC A 10 HAVE A NIC_	
Enter 'E' : 33	DESC A 11 HAVE A NICE_	
Enter ' ' : 0	DESC A 12 HAVE A NICE _	
Enter 'D' : 3	DESC A 13 HAVE A NICE D_	
Enter 'A' : 2	DESC A 14 HAVE A NICE DA_	
Enter 'Y' : 999	DESC A 15 HAVE A NICE DAY_	
[OK]	DESC A 15 SET GREETING	0.

e. Set Language

There are 6 kinds of languages to choose, and the default language is English. Only limited functions will be printed with the desired languages :

- i. Calendar
- ii. the word 'Rate' for currency conversion
- iii. Cost/Sell/Margin
- iv. Loan calculation

<u>Enter</u>	<u>Display</u>	<u>Paper</u>
[PROG]	SET TAX1?	SET ENGLISH
[PROG]	SET TAX2?	
[PROG]	SET CURRENCY?	
[PROG]	SET TIME / DATE?	
[PROG]	SET GREETING?	
[PROG]	SET LANGUAGE?	
[OK]	ENGLISH	
[TAX2/→]	GERMAN	
[TAX2/→]	FRENCH	
[TAX2/→]	ESPANOL	
[TAX2/→]	ITALIAN	
[TAX2/→]	ENGLISH	
[OK]	SET ENGLISH	

0.

2. Backspace

<u>Rounding</u> 5/4	<u>Print</u> Print	<u>Decimal</u> 4	<u>IC</u> •	<u>Loan</u> •	<u>Σ/GT</u> Σ
Problem 5.4321 + 2.34567 = ?	Enter 5.4321 [+] 2.3457 [->] 67 [+] [T]				Display 5.4321 2.345 7.7777 7.7778
					Paper 5.4321 + 2.34567 + 7.7778 TL

3. Rounding for Addition/Subtraction

<u>Rounding</u> ↓	<u>Print</u> Print	<u>Decimal</u> 0	<u>IC</u> •	<u>Loan</u> •	<u>Σ/GT</u> Σ
Problem 3.4 + 2.1 = ?	Enter 3.4 [+] 2.1 [+] [T]				Display 3.4 5.5 5.
					Paper 3.4 + 2.1 + 5. TL

4. Addition & Subtraction

<u>Rounding</u> 5/4	<u>Print</u> Print	<u>Decimal</u> F	<u>IC</u> •	<u>Loan</u> •	<u>Σ/GT</u> Σ
Problem	Enter		Display		Paper
2 + 3.1415926 - 6=?	2 [+]		2.		2. [+]
	3.1415926 [+]		5.1415926		3.1415926 [+]
	6 [-]		- 0.8584074		6. [-]
	[T]		- 0.8584074		- 0.8584074 [TL]

* The display will in RED color while it is negative transaction or negative result.

5. Addition/Subtraction in Add Mode

<u>Rounding</u> 5/4	<u>Print</u> Print	<u>Decimal</u> +	<u>IC</u> •	<u>Loan</u> •	<u>Σ/GT</u> Σ
Problem	Enter		Display		Paper
1.23 - 4.56 + 7.89 =?	123 [+]		1.23		1.23 [+]
	456 [-]		- 3.33		4.56 [-]
	[#/S]		- 3.33		- 3.33 [ST]
	789 [+]		4.56		7.89 [+]
	[T]		4.56		4.56 [TL]

6. Addition/Subtraction with Item Count in Gross Setting

<u>Rounding</u> 5/4	<u>Print</u> Print	<u>Decimal</u> +	<u>IC</u> IC	<u>Loan</u> •	<u>Σ/GT</u> Σ
Problem	Enter		Display		Paper
11.32 + 7.98-33.33=?	[CE/C]	00	0.		0. [CL]
	1132 [+]	01	11.32		11.32 [+]
	798 [+]	02	19.30		7.98 [+]
	[#/S]	02	19.30		
	3333 [-]	03	- 14.03		002
	[T]	00	- 14.03		19.30 [ST]
	[CE/C]	00	0.		33.33 [-]
					003
					- 14.03 [TL]
					0. [CL]

* When IC switch is on, Item Counter for Accumulator will always display at the top left of the LCD.

10. Sequential (Chain) Multiplication

<u>Rounding</u>	<u>Print</u>	<u>Decimal</u>	<u>IC</u>	<u>Loan</u>	<u>Σ/GT</u>
↑	Print	3	•	•	GT

<u>Problem</u>	<u>Enter</u>	<u>Display</u>	<u>Paper</u>								
3.21 X 4.5 X 6.324 = ?	3.21 [x]	3.210	<table border="0" style="width: 100%;"> <tr><td>3.210</td><td>X</td></tr> <tr><td>4.500</td><td>X</td></tr> <tr><td>6.324</td><td>X</td></tr> <tr><td>91.351</td><td>*</td></tr> </table>	3.210	X	4.500	X	6.324	X	91.351	*
3.210	X										
4.500	X										
6.324	X										
91.351	*										
	4.5 [x]	14.445									
	6.324 [=]	91.351									

11. Constant Multiplication

<u>Rounding</u>	<u>Print</u>	<u>Decimal</u>	<u>IC</u>	<u>Loan</u>	<u>Σ/GT</u>
5/4	Print	2	•	•	GT

<u>Problem</u>	<u>Enter</u>	<u>Display</u>	<u>Paper</u>														
2 x 4 = 8, 2 x 5 = 10	2 [x]	2.00	<table border="0" style="width: 100%;"> <tr><td>2.00</td><td>X</td></tr> <tr><td>4.00</td><td>X</td></tr> <tr><td>8.00</td><td>*</td></tr> <tr><td>5.00</td><td>X</td></tr> <tr><td>10.00</td><td>*</td></tr> <tr><td>6.00</td><td>X</td></tr> <tr><td>12.00</td><td>*</td></tr> </table>	2.00	X	4.00	X	8.00	*	5.00	X	10.00	*	6.00	X	12.00	*
2.00	X																
4.00	X																
8.00	*																
5.00	X																
10.00	*																
6.00	X																
12.00	*																
2 x 6 = 12	4 [=]	8.00															
	5 [=]	10.00															
	6 [=]	12.00															

12. Constant Multiplication with Accumulation

<u>Rounding</u>	<u>Print</u>	<u>Decimal</u>	<u>IC</u>	<u>Loan</u>	<u>Σ/GT</u>
5/4	Print	2	•	•	Σ

<u>Problem</u>	<u>Enter</u>	<u>Display</u>	<u>Paper</u>																
\$1.79 x 167 = \$298.93	1.79 [x]	1.79	<table border="0" style="width: 100%;"> <tr><td>1.79</td><td>X</td></tr> <tr><td>167.00</td><td>X</td></tr> <tr><td>298.93</td><td>+</td></tr> <tr><td>- 230.00</td><td>+</td></tr> <tr><td>- 411.70</td><td>+</td></tr> <tr><td>104.00</td><td>+</td></tr> <tr><td>186.16</td><td>+</td></tr> <tr><td>73.39</td><td>T</td></tr> </table>	1.79	X	167.00	X	298.93	+	- 230.00	+	- 411.70	+	104.00	+	186.16	+	73.39	T
1.79	X																		
167.00	X																		
298.93	+																		
- 230.00	+																		
- 411.70	+																		
104.00	+																		
186.16	+																		
73.39	T																		
\$1.79 x -230 = -\$411.70	167 [=]	298.93																	
\$1.79 x 104 = \$186.16	230 [+/-]	-230.																	
Total = ?	[=]	-411.70																	
	104 [=]	186.16																	
	[T]	73.39																	

13. Division

<u>Rounding</u>	<u>Print</u>	<u>Decimal</u>	<u>IC</u>	<u>Loan</u>	<u>Σ/GT</u>
↓	Print	3	•	•	GT
Problem	Enter	Display	Paper		
178 ÷ 6 =?	[CE/C]	0.	0. <input type="text"/>		
	178 [÷]	178.000	178.000 <input type="text"/>		
	6 [=]	29.666	6.000 <input type="text"/>		
			29.666 *		

14. Constant Division

<u>Rounding</u>	<u>Print</u>	<u>Decimal</u>	<u>IC</u>	<u>Loan</u>	<u>Σ/GT</u>
5/4	Print	2	•	•	GT
Problem	Enter	Display	Paper		
755 ÷ 4 = 188.75	755 [÷]	755.00	755.00 <input type="text"/>		
409 ÷ 4 = 102.25	4 [=]	188.75	4.00 <input type="text"/>		
32 ÷ 4 = 8.00	409 [=]	102.25	188.75 *		
	32 [=]	8.00	409.00 <input type="text"/>		
			102.25 *		
			32.00 <input type="text"/>		
			8.00 *		

15. Division with Accumulation

<u>Rounding</u>	<u>Print</u>	<u>Decimal</u>	<u>IC</u>	<u>Loan</u>	<u>Σ/GT</u>
5/4	Print	4	•	•	Σ
Problem	Enter	Display	Paper		
145 ÷ 12.25 + 15130 ÷	[CE/C]	0.	0. <input type="text"/>		
123.50 + 159.36 ÷	145 [÷]	145.0000	145.0000 <input type="text"/>		
10.25=?	12.25 [=]	11.8367	12.2500 <input type="text"/>		
	15130 [÷]	15130.0000	11.8367 <input type="text"/>		
	123.5 [=]	122.5101	15,130.0000 <input type="text"/>		
	159.36 [÷]	159.3600	123.5000 <input type="text"/>		
	10.25 [=]	15.5473	122.5101 <input type="text"/>		
	[T]	149.8941	159.3600 <input type="text"/>		
			10.2500 <input type="text"/>		
			15.5473 <input type="text"/>		
			149.8941 <input type="text"/>		

16. Units/Price Calculations

<u>Rounding</u> 5/4	<u>Print</u> Print	<u>Decimal</u> +	<u>IC</u> •	<u>Loan</u> •	<u>Σ/GT</u> Σ
Problem	Enter		Display		Paper
132 x \$ 5.67 = \$748.44	[CE/C]		0.		0. [C]
146 x \$ 4.45 = \$649.70	132 [x]		132.00		132.00 [x]
155 x \$ 3.11 = \$482.05	567 [=]		748.44		5.67 [=]
Total = ?	146 [x]		146.00		748.44 [+]
	445 [=]		649.70		146.00 [x]
	155 [x]		155.00		4.45 [=]
	311 [=]		482.05		649.70 [+]
	[T]		1'880.19		155.00 [x]
					3.11 [=]
					482.05 [+]
					1,880.19 [T]

17. Tax Calculation

<u>Rounding</u> 5/4	<u>Print</u> Print	<u>Decimal</u> 2	<u>IC</u> •	<u>Loan</u> •	<u>Σ/GT</u> GT
Problem	Enter			Display	Paper
TAX1 (GST) = 5.25%	[C/CE]			0.	0. <input type="button" value="CL"/>
Price without TAX1	261.56[TAX1]	TAX1		261.56	
=261.56	[+]	TAX1+		275.29	261.56
Price with TAX 1 = ?					GST% 5.25 %
	[TAX 1]	TAX1		275.29	GST 13.73
	[-]	TAX1-		261.56	GST+ 275.29 *
TAX2 = 6.25%	300 [TAX 2]	TAX2		300.	275.29
Price without TAX 2	[+]	TAX2+		318.75	GST% 5.25 %
=300					GST 13.73
Price with TAX 2 = ?	[TAX2]	TAX2		318.75	GST- 261.56
	[-]	TAX2-		300.00	
					300.00
Price including TAX 1	200 [TAX 1]	TAX1		200.	TAX2% 6.25 %
and TAX 2 =	[TAX 2]	TAX1 TAX2		200.	TAX2 18.75
	[+]	TAX1+ TAX2+		223.00	TAX2+ 318.75 *
Price Excluding TAX 1	[TAX 1]	TAX1		223.00	318.75
and TAX 2	[TAX 2]	TAX1 TAX2		223.00	TAX2% 6.25 %
	[-]	TAX1- TAX2-		200.00	TAX2 18.75
					TAX2- 300.00
					200.00
					GST% 5.25 %
					GST 10.50
					TAX2% 6.25 %
					TAX2 12.50
					TAX TL 23.00
					TAX+ TL 223.00 *
					223.00
					GST% 5.25 %
					GST 10.50
					TAX2% 6.25 %
					TAX2 12.50
					TAX TL 23.00
					TAX- TL 200.00 *

21. Gross Profit Margin Calculation COST-SELL-MARGIN

<u>Rounding</u> 5/4	<u>Print</u> Print	<u>Decimal</u> 0	<u>IC</u> •	<u>Loan</u> •	<u>Σ/GT</u> GT
Problem	Enter	Display			Paper
Cost=100, Margin=20%, Sell=?	100 [COST] 20 [MARGIN] [CE/C]	COST 100. SELL 125. 0.			COST 100. MARG% 20. 25. Δ*
Cost=100, Sell=125, Margin=?	100 [COST] 125 [SELL] [CE/C]	COST 100. MARGIN 20. 0.			SELL 125. 0. [CL]
Sell = 125, Margin = 20%, Cost =?	125 [SELL] 20 [MARGIN]	SELL 125. COST 100.			COST 100. SELL 125. 25. Δ* MARG% 20. *
					0. [CL]
					SELL 125. MARG% 20. 25. Δ*
					COST 100. *

22. Markdown and Selling Price

<u>Rounding</u> 5/4	<u>Print</u> Print	<u>Decimal</u> 2	<u>IC</u> •	<u>Loan</u> •	<u>Σ/GT</u> GT
Problem	Enter	Display			Paper
Item Cost	\$100.00	[CE/C] 0. 100 [COST] COST 100.00			0. [CL]
Markdown (Percent) (Based on to be determined selling price)	6.5%	6.5 [+/-] [MARGIN] SELL 93.90			COST 100.00 MARG% - 6.50
Markdown (AMOUNT)	\$ 6.10				- 6.10 Δ*
Selling Price	\$ 93.90				SELL 93.90 *

23. Invoice

Invoice Number 88901; Date 11/5/07

<u>Rounding</u> 5/4	<u>Print</u> Print	<u>Decimal</u> +	<u>IC</u> •	<u>Loan</u> •	<u>Σ/GT</u> Σ
Problem		Enter	Display		Paper
Quantity	Price	Net	88901.	88901.	# 88901
16	3.29	52.64	[#/S]	88'901.	
108	1.39	150.12	11.5.07	11.507	# 11.5.07
Gross		202.76	[#/S]	11.507	
Less 10% discount	- 20.28	16 [x]	16 [x]	16.00	16.00 [X]
		182.48	3.29 [=]	52.64	3.29 [=]
Tax 5%	+ 9.12	108 [x]	108 [x]	108.00	52.64 [+]
Net		191.60	1.39 [=]	150.12	
		[T]	202.76	202.76	108.00 [X]
		[x]	202.76	202.76	1.39 [=]
		10 [%]	20.28	20.28	150.12 [+]
		[-]	182.48	182.48	
		[x]	182.48	182.48	202.76 [TL]
		5 [%]	9.12	9.12	
		[+]	191.60	191.60	202.76 [X]
		[CE/C]	0.	0.	10.00 [%]
					20.28 [+]
					182.48 [-%]
					182.48 [X]
					5.00 [%]
					9.12 [+]
					191.60 [+%]
					0. [CL]

24. Payroll

Rounding Print Decimal IC Loan Σ/GT
 5/4 Print 2 • • Σ

Problem:

<u>Given</u>		<u>Find</u>	
\$ 5.75	Hourly Rate	Regular Pay	\$ 218.50
38	Hours Worked	Total Deductions	\$ 44.12
7.15%	FICA	Net Pay	\$ 174.38
\$ 23.75	Withholding		
\$ 4.75	Insurance		

Enter

[CE/C]
 5.75 [x]
 38 [M+]
 [x]
 7.15 [%]
 23.75 [+]
 4.75 [+]
 [T]
 [M-]
 [MT]

Display

0.
 5.75
 218.50
 218.50
 15.62
 39.37
 44.12
 44.12
 44.12
 174.38

Paper

0.	[C]
5.75	[X]
38.00	[M]
218.50	[M+]
218.50	[X]
7.15	[%]
15.62	[H]
23.75	[H]
4.75	[H]
44.12	[TL]
44.12	[M-]
174.38	[MT]

25. Memory Calculation

<u>Rounding</u> 5/4	<u>Print</u> Print	<u>Decimal</u> F	<u>IC</u> •	<u>Loan</u> •	<u>Σ/GT</u> Σ
Problem	Enter				Paper
100 + 200 = ?	[CE/C]			0.	0. [CL]
900 - 500 = ?	100 [+]			100.	100. [H]
20 x 7 = ?	200 [+]			300.	200. [H]
12 x 5 = ?	[T]			300.	300. [TL]
<hr/> Total = ?	[M+]	M		300.	300.
	900 [+]	M		900.	900.
	500 [-]	M		400.	300. [M+]
	[T]	M		400.	900. [H]
	[M+]	M		400.	500. [H]
	20 [x]	M		20.	400. [TL]
	7 [M+]	M		140.	400.
	12 [x]	M		12.	400. [M+]
	5 [M+]	M		60.	20. [X]
	[MS]	M		900.	7. [H]
	[MT]			900.	140. [M+]
					12. [X]
					5. [H]
					60. [M+]
					900. [MS]
					900. [MT]

26. Time Calculation

The [TIME CALC] key is used to enter and exit the time and date calculation mode.

Rounding **Print** **Decimal** **IC** **Loan** **Σ/GT**
 5/4 Print F • • GT

From normal calculation mode, depress [TIME CALC] key once to enter to Time Calculation Mode.

The following time calculation example shows addition and subtraction of hours and minutes.

<u>Problem</u>	<u>Enter</u>	<u>Display</u>	<u>Paper</u>
	[CE/C]	0.	0. <input type="button" value="CL"/>
	[TIME CALC]	TIME 00-00	
	1234 [+]	TIME 12-34	00-00 <input type="button" value="CL"/>
12 H 34 M	0512 [+]	TIME 17-46	
+ 5 H 12 M	[#/S]	TIME 17-46	12-34 <input type="button" value="+"/>
?	0120 [-]	TIME 16-26	05-12 <input type="button" value="+"/>
	[T]	TIME 16-26	17-46 <input type="button" value="ST"/>
	[TIME CALC]	TIME 00-00-0000	01-20 <input type="button" value="-"/>
- 1 H 20 M	[TIME CALC]	0.	16-26 <input type="button" value="I"/>
?			00-00-0000 <input type="button" value="CL"/>
			0. <input type="button" value="CL"/>

Note: When performing multiplication or division in Time Mode, the minutes will be automatically converted to a decimal value (a percentage of 60 minutes). Afterward, depressing the plus [+] key will convert the answer to hours and minutes.

To exit time calculation functions, depress the [TIME CALC] key.

The following time calculation example shows multiplication and division of hours and minutes.

<u>Problem</u>	<u>Enter</u>	<u>Display</u>	<u>Paper</u>
5 H 23 M x 4 = ?	[CE/C]	0.	0. <input type="button" value="CL"/>
	[TIME CALC]	TIME 00-00	
11 H 54 M ÷ 8 = ?	0523 [x]	TIME 5.383333333333	00-00 <input type="button" value="CL"/>
Total = ?	4 [=]	TIME 21.533333333333	5.383333333333 <input type="button" value="x"/>
	[+]	TIME 21-32	4. <input type="button" value="="/>
	1154 [÷]	TIME 11.9	21.533333333333 *
	8 [=]	TIME 1.4875	
	[+]	TIME 23-01	21-32 <input type="button" value="+"/>
	[T]	TIME 23-01	11.9 <input type="button" value="-"/>
	[TIME CALC]	TIME 00-00-0000	8. <input type="button" value="="/>
	[TIME CALC]	0.	1.4875 *
			01-29 <input type="button" value="+"/>
			23-01 <input type="button" value="TL"/>
			00-00-0000 <input type="button" value="CL"/>
			0. <input type="button" value="CL"/>

27. Date Calculation

The [TIME CALC] key is used to enter and exit the time and date calculation mode.

Rounding Print Decimal IC Loan Σ/GT
 5/4 Print 2 • • GT

From normal calculation mode, depress [TIME CALC] key twice to enter Date Calculation Mode.

Under Date Calculation Mode: [MT] key work as [Start Date] key
 [M-] key work as [End Date] key
 [M+] key work as [# of Days] key
 [MS] key work as [Compute] key

Problem: Compute the number of days between 25-May-2007 and 30-May-2007

<u>Enter</u>	<u>Display</u>	<u>Paper</u>
[CE/C]		0. [CL]
[TIME CALC]	TIME 00-00	
[TIME CALC]	TIME 00-00-0000	00-00 [CL]
05252007 [Start Date]	TIME 05-25-2007	
05302007 [End Date]	TIME 05-30-2007	00-00-0000 [CL]
[Compute]	TIME 5.	START 05-25-2007 END 05-30-2007 #OF DAYS ----- 5.

Problem: Determine the date 5 days after 25-May-2007

<u>Enter</u>	<u>Display</u>	<u>Paper</u>
05252007 [Start Date]	TIME 05-25-2007	START 05-25-2007
[# of Days]	TIME 0.	#OF DAYS ----- 5.
5	TIME 5.	END 05-30-2007
[Compute]	TIME 05-30-2007	

Problem: Determine the date 5 days prior 30-May-2007

<u>Enter</u>	<u>Display</u>	<u>Paper</u>
05302007 [Start Date]	TIME 05-30-2007	START 05-30-2007
[# of Days]	TIME 0.	#OF DAYS ----- -5.
5 [+/-]	TIME - 5.	END 05-25-2007
[Compute]	TIME 05-25-2007	0. [CL]
[TIME CALC]	TIME 0.	

Note: Date range 1-1-1900 → 12-31-2999

28. Loan Calculation

Rounding **Print** **Decimal** **IC** **Loan** **Σ/GT**
 5/4 Print 2 • • GT

Problem:

- | | | |
|-------------------|--------------|-------------|
| Given | | Find |
| 1. Loan Amount | = \$ 100,000 | Payment = ? |
| Interest | = 6.5 % | |
| Months | = 180 | |
| 2. Change Payment | = \$ 600 | Months = ? |

	Enter	Display	Paper
	[CE/C]	0.	0. <input type="button" value="CL"/>
	Swith to Loan	LOAN LOAN MODE	
	[Payment]	LOAN CALC. PAYMENT?	AMOUNT 100,000.00
	[OK]	LOAN LOAN AMOUNT?	INTEREST 6.50 %
	100 000	LOAN 100'000.	MONTH 180.
	[OK]	LOAN INTEREST RATE?	PAYMENT 871.11 *
	6.5	LOAN 6.5	
	[OK]	LOAN # OF MONTHS?	PAYMENT 600.00
	180	LOAN 180.	AMOUNT 100,000.00
Solve Problem 1	[OK]	LOAN 871.11	INTEREST 6.50 %
	[Months]	LOAN CALC. MONTH?	MONTH 432. *
	[OK]	LOAN PAYMENT 871.11	
	600	LOAN 600.	
	[OK]	LOAN AMOUNT 100'000.00	
	[OK]	LOAN INTEREST 6.50	
Solve Problem 2	[OK]	LOAN 432.	

29. \$ Currency Conversion function

Rounding **Print** **Decimal** **IC** **Loan** **Σ/GT**
 5/4 Print 2 • • GT

*Currency Rate = 0.745212
 (Please refer to '1. PROG function', for the way of rate setting)

Problem	Enter	Display	Paper
	[CE/C]	0.	0. <input type="button" value="CL"/>
USD 200 = Euro ?	200	200.	
	[\$]	\$ 149.04	USD 200.00
EURO 149.04 = USD ?	[÷]	149.04	RATE 0.745212
	[\$]	€ 200.00	EURO 149.04
			149.04 <input type="button" value="CL"/>
			EURO 149.04
			Rate 0.745212
			USD 200.00

30. TEXT function

Rounding Print Decimal IC Loan Σ/GT
 5/4 Print 2 • • GT

- ❖ There is 48 characters (2 lines) for Text 1 ~ 3
- ❖ There is 96 characters (4 lines) for Text A ~ C
- ❖ Both Text 1 ~3 and Text A ~ C are with preset by Victor; The user can overwrite the preset message with a custom message.

<u>Problem</u>	<u>Enter</u>	<u>Display</u>	<u>Paper</u>
Recall Text A	[TEXT]	DESC A 00 _	VICTOR TECHNOLOGY
	[Text A]	DESC A 00 VICTOR TECHN	www.victortech.com
Recall Text B	[Text B]	DESC A 00 *****	1-800-628-2420
Change 1 st line to / and save to Text B	[OK]	DESC A 96 ***** (ready for modification)	*****
	[00]	DESC A 96 /*****	* THANK YOU *
	[TAX2/ →] [00]	DESC A 96 /*****	* PLEASE COME AGAIN *
	(x 23 times)	DESC A 96 //////////////*	*****
	[TEXT]	DESC A 96 //////////////*	////////////////////
	[TEXT B]	DESC A 96 SAVE TEXT B	* THANK YOU *
		0.	* PLEASE COME AGAIN *

31. Reprint function

Rounding Print Decimal IC Loan Σ/GT
 5/4 Reprint 2 • • GT

***Note:** The [TEXT / Reprint] key works as [Reprint] function, with the Print switch in Reprint mode.
 The machine can store maximum 24 entries (since last Clear function); user can recall and print the transactions under Reprint mode.

<u>Problem</u>	<u>Enter</u>	<u>Display</u>	<u>Paper</u>
105000 + 125000 + (3300x15) = ?	[CE/C]	0.RE-PRINT.....
Recall the transactions under Reprint Mode	105000 [+]	105'000.00	105,000.00 [H]
	125000 [+]	230'000.00	125,000.00 [H]
	3300 [x]	3'300.00	3,300.00 [X]
	15 [=]	49'500.00	15.00 [H]
	[+]	279'500.00	49,500.00 *
	[T]	GT 279'500.00	
	[GT]	279'500.00	49,500.00 [H]
	[Reprint]	279'500.00	279,500.00 [T.L]
			279,500.00 [GT]
		

***Note:** Once the transactions are over 24 entries, the previous entries will be truncated.

32. HELP function

Rounding
5/4

Print
Print

Decimal
2

IC
•

Loan
•

Σ/GT
GT

User can get HELP message for all the function keys.

* User can print the HELP message, even under 'Reprint' mode.

	<u>Enter</u>	<u>Display</u>	<u>Paper</u>
	[HELP]	PRESS FUNCTION	PRESS [→] TO REMOVE PREVIOUS KEYSTROKE.
	[→]	BACKSPACE KEY	
		PRESS (OK) TO PRINT	
*the message is Scrolled on the display and will stop at (OK) TO PRINT	[OK]	0.	

Technical Specifications

Type:	Desktop Adding Machine/Calculator, Electronic Print /VFD
Basic Operations:	Addition/subtraction and multiplication/division
Capacity:	Input and result 14 Digits
Decimal System:	Add Mode (+), Floating (F), Fixed (0, 1, 2, 3, 4, 6)
Functions:	4 rules, successive calculation, memory calculation, grand total calculation, constant calculations, time calculation, loan calculation, tax calculation, cost, sell, margin calculation, help key, text messages, currency conversion, and reprint key.
Printer:	Thermal printer
Power Consumption:	27 Watts
Paper Width:	2-1/4", 57.5 ± 0.5mm
Display:	14 digit Backlit LCD Display
Operating Temp:	32° ~ 104° F, 0° ~ 40° C
Dimensions:	12-1/2" L x 8-1/2" W x 2-5/8" H
Weight:	4.1 lbs, 1.86kg

This information is furnished to comply with FCC requirements

This equipment generates and uses radio frequency energy and if not installed and used properly, that is, in accordance with the manufacturer's instructions, may cause interference to radio and television reception. It has been type tested and found to comply with the limits for a Class B computing device in accordance with the specifications in Subpart j of Part 15 of FCC Rules, which are designed to provide reasonable protection against such interference in a residential installation. However, there is not guarantee that interference will not occur in a particular installation. If this equipment does cause interference to radio or television reception, which can be determined by turning the equipment off and on, the user is encouraged to try to correct the interference by one or more of the following measures:

- Reorient the receiving antenna.
- Relocate the computing device with respect to the receiver.
- Move the computing device away from the receiver.
- Plug the computing device into a different outlet so that the computing device and receiver are on different branch circuits.

If necessary, the user should consult the dealer or experienced radio/television technician for additional suggestions. The user may find the folwing booklet prepared by the Federal Communications Commission helpful:

How to Identify and Resolve Radio-TV Interference Problems

This booklet is available from the U.S. Government Printing office, Washington, DC 20402, Stock No. 004-000-00345-4.

To assure future optimum performance use genuine VICTOR replacement ribbons. Contact you local VICTOR dealer or call our Customer Service Department at 800-628-2420 to place an order.

PL8000

CALCULATRICE IMPRIMANTE ROBUSTE

MODE D'EMPLOI

- 1 -

Fonctionnement et entretien général.....	3
Chargement du papier.....	4
Remplacement de la pile.....	5
Disposition du clavier.....	6
Caractéristiques des commutateurs à glissière.....	8
Caractéristiques des touches.....	10
Guide de dépannage.....	15
Exemples d'utilisation	
1.Fonction PROG	
a. Réglage des valeurs de Taxe 1 et de Taxe 2.....	16
b. Réglage du taux de change.....	16
c. Réglage de l'heure et de la date.....	17
d. Réglage du message d'accueil.....	17
e. Réglage de la langue.....	18
2.Espacement arrière.....	18
3.Arrondissement dans les additions et les soustractions.....	18
4.Addition et soustraction.....	19
5.Addition et soustraction en mode ajout.....	19
6.Addition et soustraction avec comptage d'articles en mode calcul brut.....	19
7.Mémoire du total général.....	20
8.Calculs répétitifs basés sur la date.....	20
9.Multiplication.....	20
10. Multiplication séquentielle (en chaîne).....	21
11. Multiplication constante.....	21
12. Multiplication constante avec accumulation.....	21
13. Division.....	22
14. Division constante.....	22
15. Division avec accumulation.....	22
16. Calcul des unités et du prix.....	23
17. Calcul de taxes.....	24
18. Ajout de pourcentage.....	25
19. Pourcentage de remise.....	25
20. Calcul de remises multiples avec valeur totale des remises... 25	
21. Calcul de marge de profit brute (coût, prix de vente et marge).....	26
22. Réduction de prix et prix de vente.....	26
23. Facture.....	27
24. Paie.....	28
25. Calcul à l'aide de la mémoire.....	29
26. Calcul de temps.....	30
27. Calcul de dates.....	32
28. Calcul de prêts.....	33
29. Conversion de devises.....	33
30. Fonction TEXTE.....	35
31. Fonction de réimpression.....	35
32. Fonction d'aide.....	37
33. Spécifications techniques.....	38
34. Règlements de la FCC.....	39

AVANT DE METTRE L'APPAREIL SOUS TENSION – Veuillez vérifier l'étiquette placée sous l'appareil et vous assurer que la valeur nominale indiquée correspond à la tension électrique locale avant de brancher le cordon électrique.

AVERTISSEMENTS

- Aucun objet ne doit recouvrir la calculatrice lorsqu'elle est mise en marche, sinon cette dernière risque de surchauffer.
- N'utilisez aucune solution organique, tel l'alcool, pour nettoyer le boîtier.
- N'exposez pas la calculatrice aux rayons directs du soleil pendant son utilisation ni son entreposage. Évitez d'exposer la calculatrice à des changements brusques de température, à un taux d'humidité élevé et à la saleté.

ENTRETIEN GÉNÉRAL

1. Ne placez pas l'appareil dans un endroit chaud, poussiéreux ou humide.
2. Nettoyez le boîtier au moyen d'un chiffon traité au silicone. N'utilisez pas d'eau ni de détergent.
3. Ne placez aucun objet sur le boîtier, en particulier sur la tête du mécanisme d'impression.
4. Éteignez l'appareil avant de débrancher le cordon électrique de la prise murale.
5. Éteignez l'appareil lorsque vous ne l'utilisez pas.

Chargement du papier

1. Branchez la calculatrice et mettez-la en marche.
2. Coupez ou déchirez le bout du rouleau de papier afin d'obtenir un bord droit.
3. Placez le rouleau de papier dans le chariot porte-papier double.
4. Relevez le levier et insérez le papier comme le montre le diagramme 1.
5. Abaissez le levier comme le montre le diagramme 2.

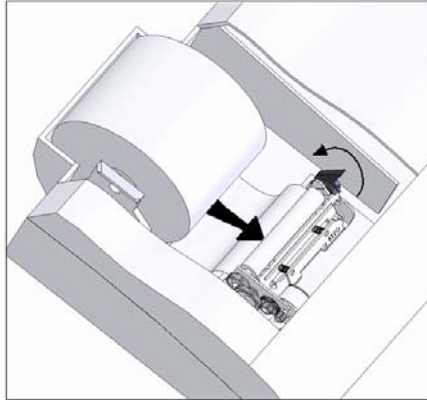


Diagramme 1 : tirez le levier vers le haut et insérez le papier.

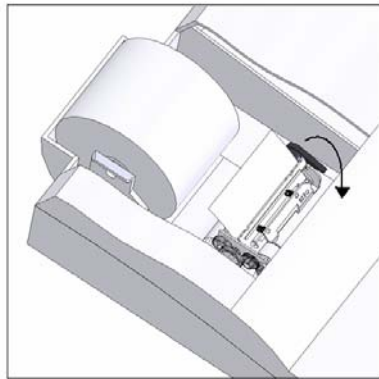
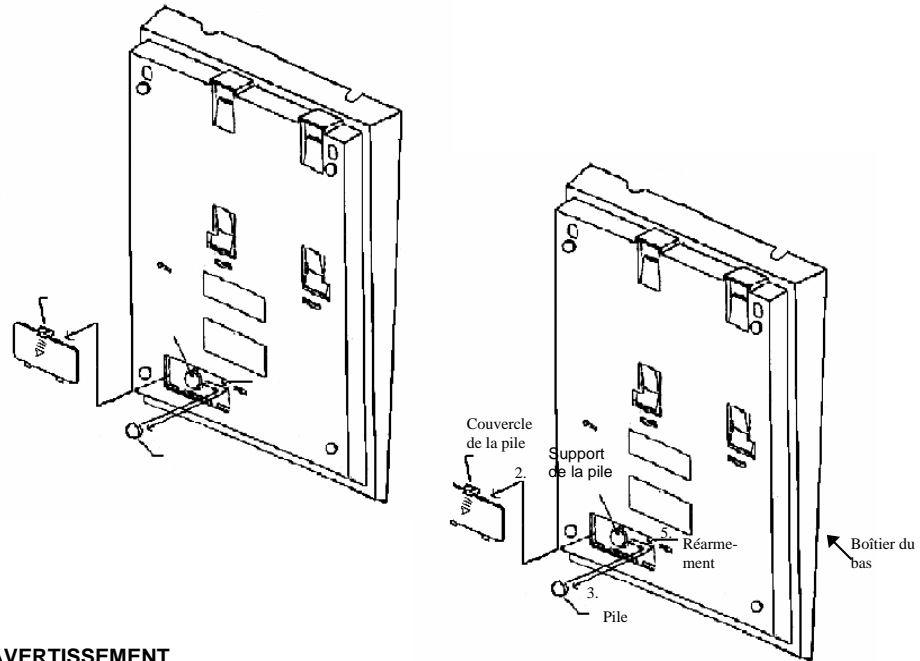


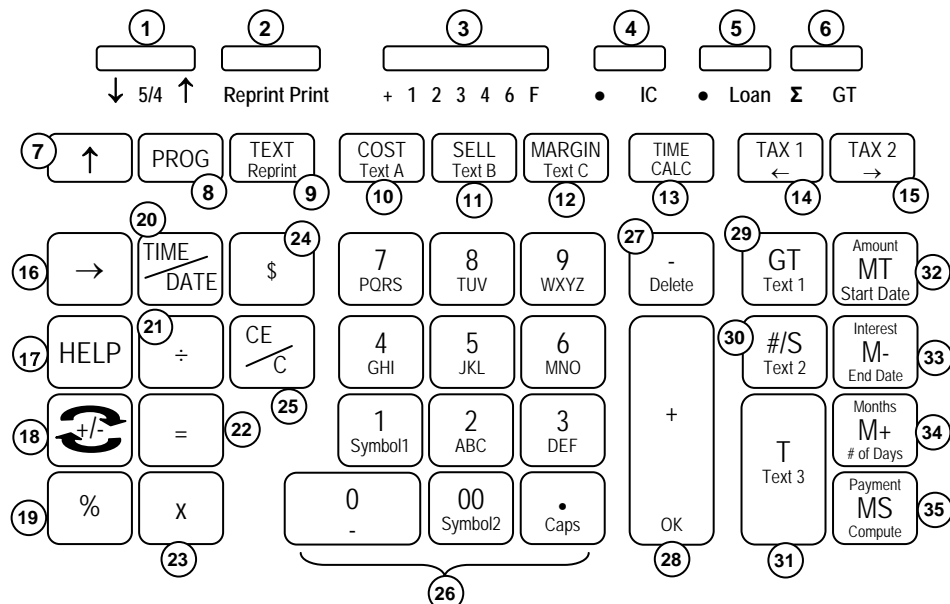
Diagramme 2 : poussez le levier vers le bas pour maintenir le rouleau de papier en place.



AVERTISSEMENT

Le fait de remplacer la pile par un mauvais type de pile entraîne un risque d'explosion. Veuillez remplacer la pile uniquement par une pile de type identique ou équivalent, selon les recommandations du fabricant. Éliminez les piles usagées conformément aux directives du fabricant.

Disposition du clavier du modèle PL8000



1. Sélecteur d'arrondissement	19. Touche Pourcentage
2. Commutateur d'impression / de réimpression	20. Touche Affichage de l'heure / de la date
3. Sélecteur du nombre de décimales	21. Touche Division
4. Commutateur de comptage d'articles	22. Touche Égal à
5. Commutateur de calcul de prêt	23. Touche Multiplication
6. Commutateur de total global/sigma	24. Touche Conversion de devise
7. Alimentation papier	25. Touche Effacement de l'entrée /effacement
8. Touche de programmation	26. Clavier numérique
9. Touche Mode texte / réimpression	27. Touche Soustraction / suppression
10. Touche Coût / texte A	28. Touche Addition / OK
11. Touche Prix de vente / texte B	29. Touche Total global / texte 1
12. Touche Marge / texte C	30. Touche Total partiel / date / texte 2
13. Calcul de l'heure / de la date	31. Touche Total / texte 3
14. Touche Taxe 1 / ←	32. Touche Total en mémoire / montant / date de début
15. Touche Taxe 2 / →	33. Touche Soustraction de la mémoire / intérêt / date de fin
16. Touche Espacement arrière	34. Touche Ajout à la mémoire/mois/nombre de jours
17. Touche Aide	35. Touche Total partiel en mémoire / paiement / calculer
18. Touche Changement de signe	

La présente section décrit les interrupteurs de mode, les touches d'entrée de données et les touches d'opération de votre calculatrice. Les termes suivants sont utilisés pour décrire le fonctionnement de votre calculatrice :

- L'**accumulateur** est la partie de la logique de la calculatrice qui enregistre le total résultant des additions et des soustractions. C'est la « machine à additionner » de la calculatrice.
- Le **registre de calcul** est la partie de la logique de la calculatrice où sont enregistrés les résultats intermédiaires et finaux des multiplications, des divisions et des calculs de pourcentage. Le contenu du registre de calcul n'a aucune incidence sur l'accumulateur.
- Le **registre de clavier** est la partie de la logique de la calculatrice qui enregistre la valeur qui sera immédiatement utilisée dans le prochain calcul.
- Le **registre de comptage d'articles** est la partie de la logique de la calculatrice qui compte le nombre d'entrées faites dans l'accumulateur.
- Le **registre mémoire** est la partie de la logique de la calculatrice qui accumule les montants ajoutés ou soustraits de la mémoire. Puisque le registre mémoire est indépendant de l'accumulateur et du registre de calcul, il conserve son contenu jusqu'à ce que vous l'effaciez à l'aide de la touche Total en mémoire (MT).

CARACTÉRISTIQUES DES COMMUTATEURS À GLISSIÈRE

La présente section décrit les commutateurs de mode qui servent à contrôler le fonctionnement de votre calculatrice.

- ↓ 5/4 ↑** **Sélecteur d'arrondissement**
↓ Arrondit le résultat du calcul au chiffre inférieur (troncature).

5/4 Si le dernier chiffre du résultat du calcul est suivi d'un chiffre inférieur à 5 (donc 0 à 4), le dernier chiffre n'est pas modifié. Si le dernier chiffre du résultat du calcul est suivi d'un chiffre supérieur à 4 (donc 5 à 9), le dernier chiffre est arrondi au chiffre supérieur.

↑ Arrondit le résultat du calcul au chiffre supérieur.
- Reprint Print** **Commutateur d'impression / de réimpression**
Reprint Mode de non-impression. L'imprimante est activée si vous appuyez (non-
impression) sur la touche d'alimentation, la touche Non-ajout/date, la touche Aide ou la touche Réimpression.

Print L'imprimante fonctionne constamment tant que la calculatrice est en marche.

3. **+ 0 1 2 3 4 6 F** **Sélecteur de point décimal**
- +** Mode Ajout monétaire. Lorsque ce réglage est utilisé, il est présumé que les montants entrés sont des valeurs monétaires. La calculatrice insère automatiquement un point décimal à la gauche des deux derniers chiffres entrés. Utilisez ce réglage pour ajouter, soustraire, multiplier et diviser des nombres avec décimales.
- Opérations en mode unités/prix :**
 Multiplication : le premier facteur entré sera conservé comme un nombre entier, et un point décimal sera inséré à la gauche des deux derniers chiffres du second facteur.
 Division : un point décimal sera inséré à la gauche des deux derniers chiffres du premier facteur, et le second facteur entré sera conservé comme un nombre entier.
- 0,1,2,3, 4, 6** Mode point décimal fixe. Ces réglages indiquent combien de chiffres apparaîtront à la droite du point décimal à l'affichage du résultat.
- F** Mode point décimal flottant. Ce réglage indique que tous les chiffres du résultat sont affichés, jusqu'à un maximum de 10 chiffres pour le modèle 1530-6, 12 chiffres pour le modèle 1560-6 et 14 chiffres pour le modèle 1570-6. Si le résultat dépasse ces limites, les chiffres additionnels à la droite du point décimal sont éliminés. Aucun arrondissement n'est fait.
4. **• IC** **Commutateur de comptage d'articles**
- Mode non-impression du comptage d'articles. Le nombre d'articles ne sera pas imprimé quand l'accumulateur, la mémoire ou le total global sont utilisés.
- IC** Impression du comptage d'articles. Le nombre d'articles sera imprimé quand l'accumulateur, la mémoire ou le total global sont réaffichés ou utilisés, sauf en mode texte. Le compteur d'articles de l'accumulateur apparaît constamment dans le coin supérieur gauche de l'afficheur.
5. **• Prêt** **Commutateur de calcul de prêt**
- Le calcul de prêt est désactivé et les touches mémoire sont activées.
- Prêt** Le calcul de prêt est activé et les touches mémoire sont désactivées.
Remarque : les calculs de temps et de date sont désactivés quand ce mode est utilisé.
6. **Σ GT** **Commutateur sigma ou de total global**
- Σ** Lorsque le commutateur est réglé à la position « **Σ** », le résultat des multiplications ou des divisions est automatiquement ajouté à l'accumulateur lorsque vous appuyez sur les touches = ou % après l'opération. Vous pouvez afficher la somme conservée dans l'accumulateur en appuyant sur la touche **#/S** (total partiel). Vous pouvez également afficher et effacer cette somme en appuyant sur la touche **T** (touche Total).
- GT** Tout total saisi au moyen de la touche **T** est automatiquement ajouté au total global. Le total global accumulé peut être réaffiché en appuyant sur la touche **GT**.

CARACTÉRISTIQUES DES TOUCHES

7. [↑] **Touche d'alimentation papier**
Fait avancer le rouleau de papier.
8. [PROG] **Touche de programmation**
Permet de programmer le taux de taxe, le taux de change, l'heure et la date, le message d'accueil ainsi que la langue.
9. [TEXT/Reprint] **Touche Mode texte/réimpression**
Commutateur d'impression activé :
Commutateur de réimpression activé :
Appuyez une fois pour passer en mode texte.
Imprime les entrées effectuées depuis le dernier effacement (maximum de 24 lignes).
10. [COST/Text A] **Touche Coût/texte A**
COST
Text A
Permet d'entrer le coût utilisé dans un calcul de marge de profit brute.
En mode texte, cette touche permet d'imprimer ou d'enregistrer le texte A.
11. [SELL/Text B] **Touche Prix de vente/texte B**
SELL
le texte B
Permet d'entrer le prix de vente utilisé dans un calcul de marge de profit brute.
En mode texte, cette touche permet d'imprimer ou d'enregistrer le texte B.
12. [MARGIN/Text C] **Touche Marge/texte C**
Marge
Text C
Permet d'entrer la valeur de marge désirée utilisée dans un calcul de marge de profit brute.
En mode texte, cette touche permet d'imprimer ou d'enregistrer le texte C.
13. [TIME CAL] **Touche de calcul de temps**
Si vous appuyez une fois sur cette touche, la calculatrice passe en mode calcul de temps. Vous pourrez donc ajouter et soustraire des heures et des minutes, ainsi qu'en calculer le total partiel et le total.
Si vous appuyez une deuxième fois sur cette touche, la calculatrice passe en mode calcul de dates.
En mode date,
la touche **MT** devient la touche **Date de début**,
la touche **M-** devient la touche **Date de fin**,
la touche **M+** devient la touche **Nombre de jours**,
la touche **MS** devient la touche **Calculer**.
14. [TAX1/←] **Touche Taxe 1/déplacement vers la gauche**
TAX1
←
Calcule un montant de taxe au moyen du taux de taxe pré-réglé avec la touche **PROG**. Utilisez la touche + pour calculer le montant avec la taxe, et la touche – pour calculer le montant sans la taxe.
Fonctionne comme une touche de déplacement du curseur en mode programmation ou en mode texte.
15. [TAX2/→] **Touche Taxe 2/déplacement vers la droite**
TAX2
Calcule un montant de taxe au moyen du taux de taxe pré-réglé avec la touche **PROG**. Utilisez la touche + pour calculer le montant avec la

taxe, et la touche – pour calculer le montant sans la taxe.

→

Fonctionne comme une touche de déplacement du curseur en mode programmation ou en mode texte.

16. [←]

Touche Espacement arrière

Supprime le caractère le plus à droite de l'entrée affichée.

- 17. Aide** **Touche Aide**
Si vous appuyez sur la touche Aide, puis sur une touche de fonction, un message d'aide est affiché.
Appuyez sur la touche [OK] pour imprimer la version longue du message.
- 18. [+/-]** **Touche Changement de signe**
Inverse le signe qui apparaît à l'afficheur.
- 19. [%]** **Touche Pourcentage**
Effectue le calcul du pourcentage lorsque la touche de multiplication ou de division est utilisée.
- 20. [TIME/DATE]** **Touche Affichage de l'heure et de la date**
Permet d'afficher la date et l'heure en alternance.
- 21. [+]** **Touche Division**
La touche Division permet d'effectuer des divisions, des divisions avec constante automatique et des opérations séquentielles intermédiaires. Lorsque vous appuyez sur cette touche, le prochain montant entré devient un diviseur constant. La touche + effectue également une division lorsque vous appuyez ensuite sur les touches =, %, +, -, **M+**, **M-**, **X** ou +. Chaque diviseur entré est conservé comme constante (sauf pour les entrées des touches +, -, **M+** et **M-**) jusqu'à ce que vous appuyiez sur **x**, + ou **Clear**.
- Fonction de racine carrée**
Si vous appuyez sur la touche [=] immédiatement après avoir appuyé sur la touche [+], la racine carrée du nombre affiché sera calculée.
- 22. [=]** **Touche Égal à**
Permet de calculer le résultat d'une multiplication ou d'une division.
- 23. [x]** **Touche Multiplication**
La touche Multiplication permet d'effectuer des multiplications, des multiplications avec constante automatique et des opérations séquentielles intermédiaires. Lorsque vous appuyez sur cette touche, le montant entré ou celui qui est imprimé ou affiché devient un multiplicande constant. La touche **X** effectue également une multiplication lorsque vous appuyez ensuite sur les touches =, %, +, -, **M+**, **M-**, **X** ou +. Chaque multiplicande entré est conservé comme constante (sauf pour les entrées des touches +, -, **M+** et **M-**) jusqu'à ce que vous appuyiez sur **x**, + ou **Clear**.
- 24. [\$]** **Touche Conversion de devise**
Permet de convertir la valeur entrée ou affichée en devise étrangère. Lorsque vous appuyez sur cette touche immédiatement après avoir utilisé la touche [+], la valeur entrée ou affichée sera convertie en devise locale.
- 25. [CE/C]** **Touche Effacement de l'entrée/effacement**
En appuyant sur cette touche une fois, vous effacez l'entrée affichée. En appuyant deux fois, vous effacez l'accumulateur ou le calcul en cours. Cette touche n'efface pas la mémoire ni le total global.
- 26. [0] ~ [9],
[00] & [•]** **Touches numériques**
La calculatrice utilise le clavier conventionnel à dix touches numériques et comprend une touche de double zéro ainsi qu'une touche de point décimal.

27. [- / Delete]

-

Touche Soustraction/suppression

Soustrait un montant de l'accumulateur. Pour soustraire le même montant plus d'une fois (soustraction répétitive), entrez le montant une fois, puis appuyez sur la touche de soustraction autant de fois que nécessaire. Si vous appuyez sur cette touche immédiatement après avoir utilisé la touche [%], le pourcentage sera soustrait de votre résultat.

Suppression

Cette touche sert de touche de suppression en mode texte.

- 28. [+ / OK]**
+
Touche Addition/OK
Ajoute un montant à l'accumulateur. Pour ajouter le même montant plus d'une fois (addition répétitive), entrez le montant une fois, puis appuyez sur la touche d'addition autant de fois que nécessaire. Si vous appuyez sur cette touche immédiatement après avoir utilisé la touche [%], le pourcentage sera additionné à votre résultat.
- OK**
En mode programmation ou texte, cette touche sert à confirmer la sélection.
- 29. [GT / Text 1]**
GT
Touche Total global/texte 1
Permet d'imprimer et d'effacer le contenu de la mémoire du total global ou de la somme sigma.
- Text 1**
En mode texte, cette touche permet d'imprimer ou d'enregistrer le texte 1.
- 30. [# / S / Text 2]**
#
Touche Total partiel/date/texte 2
Imprime l'entrée affichée suivie d'un signe « # », comme un numéro de facture.
- S**
Imprime le contenu de l'accumulateur sans l'effacer.
- Text 2**
En mode texte, cette touche permet d'imprimer ou d'enregistrer le texte 2.
- 31. [T / Text 3]**
T
Touche Total/texte 3
Imprime et efface le contenu de l'accumulateur.
- Text 3**
En mode texte, cette touche permet d'imprimer ou d'enregistrer le texte 3.
- 32. [MT / Amount / Start Date]**
Touche Total en mémoire/montant/date de début
- MT**
Imprime et efface le contenu de la mémoire.
- Amount**
En mode prêt, cette touche sert à effectuer le calcul du montant d'un prêt.
* Veuillez vous reporter à la page 34 pour de plus amples renseignements.
- Date de début**
En mode calcul de date, cette touche sert à entrer la date de début.
* Format de la date entrée : MM-JJ-AAAA
* Veuillez vous reporter à la page 33 pour de plus amples renseignements.
- 33. [M- / Interest / End Date]**
Touche Soustraction de la mémoire/intérêt/date de fin
- M-**
Soustrait un montant de la mémoire. Si un calcul est en cours, la touche de soustraction de la mémoire terminera le calcul et soustraira le montant résultant de la mémoire.
- Taux d'intérêt**
En mode prêt, cette touche sert à effectuer le calcul du taux d'intérêt d'un prêt.
- Date de fin**
En mode calcul de date, cette touche sert à entrer la date de fin.
* Format de la date entrée : MM-JJ-AAAA
* Veuillez vous reporter à la page 33 pour de plus amples renseignements.

34. [M+ / Months / # of Days]

Touche Ajout à la mémoire/mois/nombre de jours

M+ Additionne un montant à la mémoire. Si un calcul est en cours, la touche d'addition à la mémoire terminera le calcul et ajoutera le montant résultant à la mémoire.

Nombre de mois En mode prêt, cette touche sert à effectuer le calcul du nombre de mois.

of Days En mode calcul de date, cette touche sert à entrer le nombre de jours.

35. [MS / Payment / Compute]

Touche Total partiel en mémoire/paiement/calculer

MS Imprime le contenu de la mémoire sans l'effacer.

Paiement En mode prêt, cette touche sert à effectuer le calcul des paiements mensuels.

Compute En mode calcul de date, cette touche sert à calculer le nombre de jours entre deux dates, ou à trouver une date postérieure ou antérieure.

Guide de dépannage

De nombreux problèmes, comme l'absence d'alimentation électrique ou le non-fonctionnement des touches, peuvent être résolus simplement en appuyant sur la touche RESET. Veuillez suivre ces instructions :

1. L'appareil doit être branché et sous tension, et en mode impression.
2. Retournez l'appareil afin de voir le compartiment de la pile.
3. Ouvrez le compartiment de la pile et repérez la touche RESET située à côté de la pile argentée.
4. Appuyez sur la touche RESET. Vous entendrez fonctionner le moteur de l'appareil. Si vous n'entendez pas le moteur, appuyez sur la touche une deuxième fois.
5. Remplacez le couvercle du compartiment de la pile, puis remettez l'appareil à l'endroit.
6. Vérifiez le fonctionnement de l'appareil.

Si, après avoir effectué ces étapes, votre problème n'est toujours pas résolu, veuillez composer le 1-800-628-2420 pour obtenir de l'aide.

Exemples d'utilisation

1. Fonction PROG

Arrond. Impr. Décimales IC Prêt Σ/GT
 5/4 Print F • • Σ

a. Réglage des valeurs de Taxe 1 et de Taxe2

Réglez le taux de Taxe 1 à 5,25 % et paramétrez Taxe 1 comme étant la TPS.
 Réglez le taux de Taxe 2 à 6,25 %.

<u>Saisie</u>	<u>Affichage</u>	<u>Papier</u>
[PROG]	SET TAX1?	TPS% 5.25 %
[OK]	TAX1 0. %	
5.25	TAX1 5.25 %	TAX2% 6.25 %
[TEXT]	DESC A <u>T</u> AX1 5.25 %	
	(« T » clignote pour indiquer que vous pouvez entrer le texte)	
8	DESC A <u>T</u> AX1 5.25 %	
7	DESC A <u>TP</u> X1 5.25 %	
7777	DESC A <u>TPS</u> 1 5.25 %	
[Delete]	DESC A <u>TPS</u> _ 5.25 %	
[OK]	SET TPS 0.	
[PROG]	SET TAX1?	
[PROG]	SET TAX2?	
[OK]	TAX2 0. %	
6.25	TAX2 6.25 %	
[OK]	SET TAX2 0.	

b. Réglage du taux de change

Réglez le taux de change à 0,745212 et changez le texte « CurrB » pour « EURO ».

<u>Saisie</u>	<u>Affichage</u>	<u>Papier</u>
[PROG]	SET TAX1?	USD 0.745212
[PROG]	SET TAX2?	
[PROG]	SET CURRENCY?	EURO
[OK]	USD 1.	
0.745212	DESC A USD 0.745212	
[OK]	DESC A <u>C</u> urrB	
	(« C » clignote pour indiquer que vous pouvez modifier le texte)	
33	DESC A <u>E</u> urrB	
88	DESC A <u>EU</u> rrB	
777	DESC A <u>EU</u> RrB	
666	DESC A <u>EU</u> ROrB	
[Delete]	DESC A <u>EU</u> RO_	
[OK]	SET CURRENCY 0.	

c. Réglage de l'heure et de la date

Réglez l'heure à 17 h 04 (l'heure est toujours entrée en format 24 heures).
 Réglez la date au 31 mai 2007.
 Réglez le format de l'heure au format 24 heures (le format par défaut est 12 heures).
 Réglez le format de la date à MM-JJ-AAAA (le format par défaut est MM-JJ-AAAA).

<u>Saisie</u>	<u>Affichage</u>	<u>Papier</u>
[PROG]	SET TAX1?	05:04 PM
[PROG]	SET TAX2?	MAY 31 2007 THU
[PROG]	SET CURRENCY?	
[PROG]	SET TIME / DATE?	
[OK]	00:39 <small>(« 0 » clignote pour indiquer que vous pouvez modifier le texte)</small>	0. <input type="text" value="CL"/>
1704 (format 24 h)	17:04	MAY 31 2007 THU
[OK]	01-01-2007 <small>(« 0 » clignote pour indiquer que vous pouvez modifier le texte)</small>	17:05
0531	05-31-2007 <small>(« 2 » clignote)</small>	0. <input type="text" value="CL"/>
[OK]	12 HOURS	
[TAX1/←] (ou [TAX2/→])	24 HOURS	
[OK]	MM-DD-YYYY	
[OK]	SET TIME / DATE	
[CE/C]		0.
[TIME/DATE]		0.
[TIME/DATE]	MAY-31-2007 THU	
[CE/C]	17:05:30	
		0.

d. Réglage du message d'accueil

Modifiez le message d'accueil pour qu'il affiche « BONJOUR OLIVIER ».

<u>Saisie</u>	<u>Affichage</u>	<u>Papier</u>
[PROG]	SET TAX1?	
[PROG]	SET TAX2?	
[PROG]	SET CURRENCY?	
[PROG]	SET TIME / DATE?	
[PROG]	SET GREETING?	
[OK]	DESC A 15 VICTOR PL8000	
Appuyez sur [Delete] et gardez la touche enfoncée <small>(pour obtenir un affichage clair en mode texte)</small>	DESC A 00 _ <small>(clignote pour indiquer que vous pouvez entrer le texte)</small>	
Entrez « B » : 22	DESC A 01 B_	
Entrez « O » : 666	DESC A 02 OL_	
Entrez « N » : 66	DESC A 03 BON_	
Entrez « J » : 5	DESC A 04 BONJ_	
Entrez « O » : 666	DESC A 05 BONJO_	
Entrez « U » : 88	DESC A 06 BONJOU_	
Entrez « R » : 777	DESC A 07 BONJOUR_	
Entrez « » : 0	DESC A 08 BONJOUR _	
Entrez « O » : 666	DESC A 09 BONJOUR O_	
Entrez « L » : 555	DESC A 10 BONJOUR OL_	
Entrez « I » : 444	DESC A 11 BONJOUR OLI_	

Entrez « V » : 888
 Entrez « I » : 444
 Entrez « E » : 33
 Entrez « R » : 777
 [OK]

DESC A 12 BONJOUR OLIV_
 DESC A 13 BONJOUR OLIVI_
 DESC A 14 BONJOUR OLIVIE_
 DESC A 15 BONJOUR OLIVIER_
 DESC A 15 SET GREETING
 0.



e. Réglage de la langue

Vous pouvez choisir parmi six langues, l'anglais étant la langue par défaut.
 Seules quelques fonctions seront imprimées dans la langue choisie :

- i. les fonctions calendrier;
- ii. le mot « Rate » pour la conversion de devise;
- iii. les fonctions de coût, de prix de vente et de marge;
- iv. les calculs de prêts.

Saisie

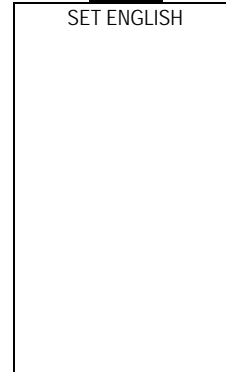
[PROG]
 [PROG]
 [PROG]
 [PROG]
 [PROG]
 [PROG]
 [OK]
 [TAX2/→]
 [TAX2/→]
 [TAX2/→]
 [TAX2/→]
 [TAX2/→]
 [OK]

Affichage

SET TAX1?
 SET TAX2?
 SET CURRENCY?
 SET TIME / DATE?
 SET GREETING?
 SET LANGUAGE?
 ENGLISH
 GERMAN
 FRENCH
 ESPANOL
 ITALIAN
 ENGLISH
 SET ENGLISH
 0.

Papier

SET ENGLISH



2. Espacement arrière

Arrond.
5/4

Impr.
Print

Décimales
4

IC
•

Prêt
•

Σ/GT
Σ

Problème

5.4321 + 2.34567
 = ?

Saisie

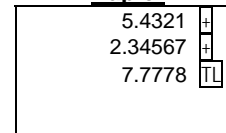
5.4321 [+]
 2.3457 [→]
 67 [+]
 [T]

Affichage

5.4321
 2.345
 7.77777
 7.7778

Papier

5.4321
 2.34567
 7.7778



3. Arrondissement dans les additions et les soustractions

Arrond.
↓

Impr.
Print

Décimales
0

IC
•

Prêt
•

Σ/GT
Σ

Problème

3.4 + 2.1 = ?

Saisie

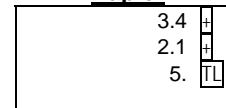
3.4 [+]
 2.1 [+]
 [T]

Affichage

3.4
 5.5
 5.

Papier

3.4
 2.1
 5.



4. Addition et soustraction

<u>Arrond.</u> 5/4	<u>Impr.</u> Print	<u>Décimales</u> F	<u>IC</u> ●	<u>Prêt</u> ●	<u>Σ/GT</u> Σ
Problème 2 + 3.1415926 - 6=?	Saisie 2 [+] 3.1415926 [+] 6 [-] [T]				
			Affichage 2. 5.1415926 - 0.8584074 - 0.8584074		Papier 2. 3.1415926 6. - 0.8584074

* Un montant négatif ou un résultat négatif apparaîtra en ROUGE à l'afficheur.

5. Addition et soustraction en mode ajout

<u>Arrond.</u> 5/4	<u>Impr.</u> Print	<u>Décimales</u> +	<u>IC</u> ●	<u>Prêt</u> ●	<u>Σ/GT</u> Σ
Problème 1.23 - 4.56 + 7.89=?	Saisie 123 [+] 456 [-] [#/S] 789 [+] [T]				
			Affichage 1.23 - 3.33 - 3.33 4.56 4.56		Papier 1.23 4.56 - 3.33 7.89 4.56

6. Addition et soustraction avec comptage d'articles en mode calcul brut

<u>Arrond.</u> 5/4	<u>Impr.</u> Print	<u>Décimales</u> +	<u>IC</u> IC	<u>Prêt</u> ●	<u>Σ/GT</u> Σ
Problème 11.32 + 7.98-33.33=?	Saisie [CE/C] 1132 [+] 798 [+] [#/S] 3333 [-] [T] [CE/C]				
			Affichage 00 0. 01 11.32 02 19.30 02 19.30 03 - 14.03 00 - 14.03 00 0.		Papier 0. [CL] 11.32 [+] 7.98 [+] 002 19.30 [ST] 33.33 [] 003 - 14.03 [TL] 0. [CL]

* Lorsque le commutateur de comptage d'articles est réglé à « IC », le compteur d'articles de l'accumulateur apparaît constamment dans le coin supérieur gauche de l'afficheur.

10. Multiplication séquentielle (en chaîne)

Arrond. Impr. Décimales IC Prêt Σ/GT
 ↑ Print 3 • • GT

<u>Problème</u>	<u>Saisie</u>	<u>Affichage</u>	<u>Papier</u>
3.21 X 4.5 X 6.324 = ?	3,21 [x]	3.210	3.210
	4,5 [x]	14.445	4.500
	6.324 [=]	91.351	6.324
			91.351 *

11. Multiplication constante

Arrond. Impr. Décimales IC Prêt Σ/GT
 5/4 Print 2 • • GT

<u>Problème</u>	<u>Saisie</u>	<u>Affichage</u>	<u>Papier</u>
2 x 4 = 8, 2 x 5 = 10	2 [x]	2.00	2.00
2 x 6 = 12	4 [=]	8.00	4.00
	5 [=]	10.00	8.00 *
	6 [=]	12.00	5.00
			10.00 *
			6.00
			12.00 *

12. Multiplication constante avec accumulation

Arrond. Impr. Décimales IC Prêt Σ/GT
 5/4 Print 2 • • Σ

<u>Problème</u>	<u>Saisie</u>	<u>Affichage</u>	<u>Papier</u>
1,79 \$ x 167 = 298,93 \$	1,79 [x]	1.79	1.79
1,79 \$ x -230 = -411,70 \$	167 [=]	298.93	167.00
1,79 \$ x 104 = 186,16 \$	230 [+/-]	-230.	298.93
Total = ?	[=]	-411.70	- 230.00
	104 [=]	186.16	- 411.70
	[T]	73.39	104.00
			186.16
			73.39

13. Division

<u>Arrond.</u> ↓	<u>Impr.</u> Print	<u>Décimales</u> 3	<u>IC</u> •	<u>Prêt</u> •	<u>Σ/GT</u> GT
Problème 178 ÷ 6 = ?	Saisie [CE/C] 178 [÷] 6 [=]	Affichage 0. 178.000 29.666			Papier 0. [CL] 178.000 [÷] 6.000 [÷] 29.666 *

14. Division constante

<u>Arrond.</u> 5/4	<u>Impr.</u> Print	<u>Décimales</u> 2	<u>IC</u> •	<u>Prêt</u> •	<u>Σ/GT</u> GT
Problème 755 ÷ 4 = 188,75 409 ÷ 4 = 102,25 32 ÷ 4 = 8,00	Saisie 755 [÷] 4 [=] 409 [=] 32 [=]	Affichage 755.00 188.75 102.25 8.00			Papier 755.00 [÷] 4.00 [÷] 188.75 * 409.00 [÷] 102.25 * 32.00 [÷] 8.00 *

15. Division avec accumulation

<u>Arrond.</u> 5/4	<u>Impr.</u> Print	<u>Décimales</u> 4	<u>IC</u> •	<u>Prêt</u> •	<u>Σ/GT</u> Σ
Problème 145 ÷ 12,25 + 15130 ÷ 123,50 + 159,36 ÷ 10,25=?	Saisie [CE/C] 145 [÷] 12.25 [=] 15130 [÷] 123.5 [=] 159.36 [÷] 10.25 [=] [T]	Affichage 0. 145.0000 11.8367 15130.0000 122.5101 159.3600 15.5473 149.8941			Papier 0. [CL] 145.0000 [÷] 12.2500 [÷] 11.8367 [÷] 15,130.0000 [÷] 123.5000 [÷] 122.5101 [÷] 159.3600 [÷] 10.2500 [÷] 15.5473 [÷] 149.8941 [TL]

16. Calcul des unités et du prix

<u>Arrond.</u> 5/4	<u>Impr.</u> Print	<u>Décimales</u> +	<u>IC</u> •	<u>Prêt</u> •	<u>Σ/GT</u> Σ
Problème	Saisie		Affichage		Papier
132 x 5,67 \$ =748,44 \$	[CE/C]		0.		0. <input type="text"/>
146 x 4,45 \$ =649,70 \$	132 [x]		132.00		132.00 <input type="text"/>
155 x 3,11 \$ =482,05 \$	567 [=]		748.44		5.67 <input type="text"/>
Total = ?	146 [x]		146.00		748.44 <input type="text"/>
	445 [=]		649.70		146.00 <input type="text"/>
	155 [x]		155.00		4.45 <input type="text"/>
	311 [=]		482.05		649.70 <input type="text"/>
	[T]		1'880.19		155.00 <input type="text"/>
					3.11 <input type="text"/>
					482.05 <input type="text"/>
					1,880.19 <input type="text"/>

17. Calcul de taxes

<u>Arrond.</u> 5/4	<u>Impr.</u> Print	<u>Décimales</u> 2	<u>IC</u> •	<u>Prêt</u> •	<u>Σ/GT</u> GT
Problème	Saisie	Affichage			Papier
Taxe 1 (TPS) = 5,25 %	[C/CE]			0.	0. <input type="text"/>
Prix sans Taxe 1 =	261.56 [TAX1]	TAX1		261.56	
261,56	[+]	TAX1+		275.29	261.56
Prix avec Taxe 1 = ?					TPS% 5.25 %
	[TAX 1]	TAX1		275.29	TPS 13.73
	[-]	TAX1-		261.56	TPS+ 275.29 *
Taxe 2 = 6,25%	300 [TAX 2]	TAX2		300.	275.29
Prix sans Taxe 2 = 300	[+]	TAX2+		318.75	TPS% 5.25 %
Prix avec Taxe 2 = ?					TPS 13.73
	[TAX2]	TAX2		318.75	TPS- 261.56
	[-]	TAX2-		300.00	
Prix avec Taxe 1 et	200 [TAX 1]	TAX1		200.	TAX2% 6.25 %
Taxe 2 =	[TAX 2]	TAX1 TAX2		200.	TAX2 18.75
	[+]	TAX1+ TAX2+		223.00	TAX2+ 318.75 *
Prix sans Taxe 1 et	[TAX 1]	TAX1		223.00	318.75
Taxe 2 =	[TAX 2]	TAX1 TAX2		223.00	TAX2% 6.25 %
	[-]	TAX1- TAX2-		200.00	TAX2 18.75
					TAX2- 300.00
					300.00
					TPS% 5.25 %
					TPS 10.50
					TAX2% 6.25 %
					TAX2 12.50
					TAX TL 23.00
					TAX+ TL 223.00 *
					223.00
					TPS% 5.25 %
					TPS 10.50
					TAX2% 6.25 %
					TAX2 12.50
					TAX TL 23.00
					TAX- TL 200.00 *

18. Ajout de pourcentage

<u>Arrond.</u> ↓	<u>Impr.</u> Print	<u>Décimales</u> 2	<u>IC</u> •	<u>Prêt</u> •	<u>Σ/GT</u> GT
Problème		Saisie		Affichage	Papier
Prix	3,95 \$	[CE/C]		0.	0. <input type="text" value="CL"/>
Taxe	5 %	3,95 [x]		3.95	3.95 <input type="text" value="X"/>
Montant de taxe	0,19 \$	5 [%]		0.19	5.00 <input type="text" value="P"/>
Montant net	4,14 \$	[+]		4.14	0.19 *
					4.14 <input type="text" value="+P"/>

19. Pourcentage de remise

<u>Arrond.</u> 5/4	<u>Impr.</u> Print	<u>Décimales</u> 2	<u>IC</u> •	<u>Prêt</u> •	<u>Σ/GT</u> GT
Problème		Saisie		Affichage	Papier
Prix	169,50 \$	[CE/C]		0.	0. <input type="text" value="CL"/>
Remise	14 %	169,5 [x]		169.50	169.50 <input type="text" value="X"/>
Montant de la remise	23,73 \$	14 [%]		23.73	14.00 <input type="text" value="P"/>
Montant net	145,77 \$	[-]		145.77	23.73 *
					145.77 <input type="text" value="-P"/>

20. Calcul de remises multiples avec valeur totale des remises

<u>Arrond.</u> 5/4	<u>Impr.</u> Print	<u>Décimales</u> 2	<u>IC</u> •	<u>Prêt</u> •	<u>Σ/GT</u> GT
Problème		Saisie		Affichage	Papier
23,15 \$ moins		23.15 [M+]	M	23.15	23.15 <input type="text" value="M+"/>
15/10/5 %		[x]	M	23.15	23.15 <input type="text" value="X"/>
= 16,82 \$ net		15 [%]	M	3.47	15.00 <input type="text" value="P"/>
Montant total des remises : 6,33 \$		[-]	M	19.68	3.47 *
		[x]	M	19.68	19.68 <input type="text" value="-P"/>
		10 [%]	M	1.97	19.68 <input type="text" value="P"/>
		[-]	M	17.71	19.68 <input type="text" value="X"/>
		[x]	M	17.71	10.00 <input type="text" value="P"/>
		5 [%]	M	0.89	17.71 <input type="text" value="X"/>
		[-]	M	16.82	1.97 *
		[M-]	M	16.82	17.71 <input type="text" value="-P"/>
		[MT]		6.33	17.71 <input type="text" value="X"/>
					5.00 <input type="text" value="P"/>
					0.89 *

16.82 [%]

16.82 [M]

6.33 [MT]

21. Calcul de marge de profit brute (coût, prix de vente et marge)

Arrond. 5/4 Impr. Print Décimales 0 IC • Prêt • Σ/GT GT

<u>Problème</u>	<u>Saisie</u>		<u>Affichage</u>		<u>Papier</u>
Coût=100, marge=20 %, prix de vente=?	100 [COST]	COST	100.		COST 100.
	20 [MARGIN]	SELL	125.		MARG% 20.
	[CE/C]		0.		25. Δ*
Coût=100, prix de vente=125, marge=?	100 [COST]	COST	100.		SELL 125. *
	125 [SELL]	MARGIN	20.		
	[CE/C]		0.		0. [CL]
Prix de vente=125, marge=20 %, coût =?	125 [SELL]	SELL	125.		COST 100.
	20 [MARGIN]	COST	100.		SELL 125.
					MARG% 20.
					25. Δ*
					20. *
					0. [CL]
					SELL 125.
					MARG% 20.
					25. Δ*
					COST 100. *

22. Réduction de prix et prix de vente

Arrond. 5/4 Impr. Print Décimales 2 IC • Prêt • Σ/GT GT

<u>Problème</u>		<u>Saisie</u>		<u>Affichage</u>		<u>Papier</u>
		[CE/C]		0.		0. [CL]
Coût de l'article	100,00 \$	100 [COST]	COST	100.00		
Réduction de prix (pourcentage)	6,5 %	6.5 [+/-]		- 6.5		COST 100.00
(basée sur le prix de vente à déterminer)		[MARGIN]	SELL	93.90		MARG% - 6.50
Réduction de prix (montant)	6,10 \$					- 6.10 Δ*
Prix de vente	93,90 \$					SELL 93.90 *

23. Facture

Facture numéro 88901 en date du 5 novembre 2007.

<u>Arrond.</u> 5/4	<u>Impr.</u> Print	<u>Décimales</u> +	<u>IC</u> •	<u>Prêt</u> •	<u>Σ/GT</u> Σ
Problème		Saisie	Affichage		Papier
Quantité	Prix	Mt net	88901	88901.	# 88901
16	3,29	52,64	[#/S]	88'901.	
108	1,39	<u>150,12</u>	11.5.07	11.507	# 11.5.07
Montant brut		202,76	[#/S]	11.507	
moins remise de 10 %		- 20,28	16 [x]	16.00	16.00 <input checked="" type="checkbox"/>
		<u>182,48</u>	3.29 [=]	52.64	3.29 <input type="checkbox"/>
Taxe de 5 %		+ 9,12	108 [x]	108.00	52.64 <input type="checkbox"/>
Montant net		<u>191,60</u>	1.39 [=]	150.12	108.00 <input checked="" type="checkbox"/>
			[T]	202.76	1.39 <input type="checkbox"/>
			[x]	202.76	150.12 <input type="checkbox"/>
			10 [%]	20.28	
			[-]	182.48	182.48 <input type="checkbox"/>
			[x]	182.48	202.76 <input type="checkbox"/>
			5 [%]	9.12	202.76 <input checked="" type="checkbox"/>
			[+]	191.60	10.00 <input type="checkbox"/>
			[CE/C]	0.	20.28 <input type="checkbox"/>
					182.48 <input type="checkbox"/>
					182.48 <input checked="" type="checkbox"/>
					5.00 <input type="checkbox"/>
					9.12 <input type="checkbox"/>
					191.60 <input type="checkbox"/>
					0. <input type="checkbox"/>

24. Paie

Arrond. Impr. Décimales IC Prêt Σ/GT
 5/4 Print 2 • • Σ

Problème :

**Données
connues**

5,75 \$ Tarif horaire
 38 Heures
 travaillées
 7,15 % Assurance-
 emploi
 23,75 \$ Retenue à la
 source
 4,75 \$ Assurance

**Données à
calculer**

Paie normale 218,50 \$
 Déductions
 totales 44,12 \$
 Paie nette 174,38 \$

Saisie

[CE/C]
 5.75 [x]
 38 [M+]
 [x]
 7.15 [%]
 23.75 [+]
 4.75 [+]
 [T]
 [M-]
 [MT]

M
M
M
M
M
M
M

Affichage

0.
 5.75
 218.50
 218.50
 15.62
 39.37
 44.12
 44.12
 44.12
 174.38

Papier

0.	CL
5.75	X
38.00	=
218.50	M+
218.50	X
7.15	%
15.62	+
23.75	+
4.75	+
44.12	T
44.12	M-
174.38	MT

25. Calcul à l'aide de la mémoire

<u>Arrond.</u> 5/4	<u>Impr.</u> Print	<u>Décimales</u> F	<u>IC</u> •	<u>Prêt</u> •	<u>Σ/GT</u> Σ
Problème	Saisie		Affichage	Papier	
100 + 200 = ?	[CE/C]		0.	0.	CL
900 - 500 = ?	100 [+]		100.	100.	+
20 x 7 = ?	200 [+]		300.	300.	+
12 x 5 = ?	[T]		300.	300.	TL
<u>Total = ?</u>	[M+]	M	300.	300.	TL
	900 [+]	M	900.	900.	
	500 [-]	M	400.	300.	M+
	[T]	M	400.	900.	+
	[M+]	M	400.	500.	-
	20 [x]	M	20.	400.	TL
	7 [M+]	M	140.	400.	
	12 [x]	M	12.	400.	M+
	5 [M+]	M	60.	20.	X
	[MS]	M	900.	7.	-
	[MT]	M	900.	140.	M+
				12.	X
				5.	-
				60.	M+
				900.	MS
				900.	MT

26. Calcul de temps

La touche [TIME CALC] sert à passer en mode calcul de temps et de date, ainsi qu'à en sortir.

Arrond.
5/4

Impr.
Print

Décimales
F

IC
•

Prêt
•

Σ/GT
GT

Si vous êtes en mode de calcul normal, appuyez une fois sur la touche [TIME CALC] pour passer en mode calcul de temps.

L'exemple de calcul de temps suivant montre la façon d'ajouter et de soustraire des heures et des minutes.

Problème	Saisie	Affichage	Papier
	[CE/C]	0.	0. [CL]
	[TIME CALC]	TIME 00-00	00-00 [CL]
12 h 34 m	1234 [+]	TIME 12-34	12-34 [H]
+ 5 h 12 m	0512 [+]	TIME 17-46	05-12 [H]
?	[#/S]	TIME 17-46	17-46 [ST]
	0120 [-]	TIME 16-26	01-20 [H]
	[T]	TIME 16-26	16-26 [H]
- 1 h 20 m	[TIME CALC]	TIME 00-00-0000	00-00-0000 [CL]
?	[TIME CALC]	0.	0. [CL]

Remarque : lorsque vous effectuez une multiplication ou une division en mode temps, les minutes sont automatiquement converties en valeur décimale (soit un pourcentage de 60 minutes). Par la suite, vous pouvez convertir la réponse en heures et en minutes en appuyant sur la touche plus [+].

Pour sortir du mode calcul de temps, appuyez sur la touche [TIME CALC].

L'exemple de calcul de temps suivant montre la façon de multiplier et de diviser des heures et des minutes.

Problème	Saisie	Affichage	Papier
5 h 23 m x 4 = ?	[CE/C]	0.	0. [CL]
11 h 54 m ÷ 8 = ?	[TIME CALC]	TIME 00-00	00-00 [CL]
Total = ?	0523 [x]	TIME 5.383333333333	5.383333333333 [X]
	4 [=]	TIME 21.533333333333	4. [H]
	[+]	TIME 21-32	21.533333333333 *
	1154 [÷]	TIME 11,9	21-32 [H]
	8 [=]	TIME 1,4875	11,9 [H]
	[+]	TIME 23-01	8. [H]
	[T]	TIME 23-01	1.4875 *
	[TIME CALC]	TIME 00-00-0000	01-29 [H]
	[TIME CALC]	0.	23-01 [TL]
			00-00-0000 [CL]

27. Calcul de dates

La touche [TIME CALC] sert à passer en mode calcul de temps et de date, ainsi qu'à en sortir.

<u>Arrond.</u> 5/4	<u>Impr.</u> Print	<u>Décimales</u> 2	<u>IC</u> •	<u>Prêt</u> •	<u>Σ/GT</u> GT
-----------------------	-----------------------	-----------------------	----------------	------------------	-------------------

Si vous êtes en mode de calcul normal, appuyez deux fois sur la touche [TIME CALC] pour passer en mode calcul de date.

En mode calcul de date :
 la touche [MT] devient la touche [Date de début];
 la touche [M-] devient la touche [Date de fin];
 la touche [M+] devient la touche [Nombre de jours];
 et la touche [MS] devient la touche [Calculer].

Problème : trouvez le nombre de jours entre le 25 mai 2007 et le 30 mai 2007.

<u>Saisie</u>	<u>Affichage</u>	<u>Papier</u>
[CE/C]	0.	0. [CL]
[TIME CALC]	TIME 00-00	
[TIME CALC]	TIME 00-00-0000	00-00 [CL]
05252007 [Start Date]	TIME 05-25-2007	
05302007 [End Date]	TIME 05-30-2007	00-00-0000 [CL]
[Compute]	TIME 5.	START 05-25-2007 END 05-30-2007 #OF DAYS 5.

Problème : trouvez la date qui correspond au 5^e jour après le 25 mai 2007.

<u>Saisie</u>	<u>Affichage</u>	<u>Papier</u>
05252007 [Start Date]	TIME 05-25-2007	START 05-25-2007
[# of Days]	TIME 0.	#OF DAYS 5.
5	TIME 5.	END 05-30-2007
[Compute]	TIME 05-30-2007	

Problème : trouvez la date qui correspond au 5^e jour avant le 30 mai 2007.

<u>Saisie</u>	<u>Affichage</u>	<u>Papier</u>
05302007 [Start Date]	TIME 05-30-2007	START 05-30-2007
[# of Days]	TIME 0.	#OF DAYS -5.
5 [+/-]	TIME -5.	END 05-25-2007
[Compute]	TIME 05-25-2007	0. [CL]
[TIME CALC]	0.	

Remarque : la plage de dates valides s'étend du 1^{er} janvier 1900 au 31 décembre 2999.

28. Calcul de prêt

Arrond. 5/4 Impr. Print Décimales 2 IC • Prêt • Σ/GT GT

Problème :

<u>Données connues</u>		<u>Données à calculer</u>	
1. Montant du prêt	= 100 000 \$	Paiement	= ?
Taux d'intérêt	= 6,5 %		
Nombre de mois	= 180		
2. Paiement modifié	= 600 \$	Nombre de mois	= ?

	<u>Saisie</u>	<u>Affichage</u>	<u>Papier</u>
	[CE/C]	0.	0. <input type="button" value="CL"/>
	Régler le commutateur à Loan	LOAN LOAN MODE	
	[Payment]	LOAN CALC. PAYMENT?	AMOUNT 100,000.00
	[OK]	LOAN LOAN AMOUNT?	INTEREST 6.50 %
	100 000	LOAN 100'000.	MONTH 180.
	[OK]	LOAN INTEREST RATE?	PAYMENT 871.11 *
	6.5	LOAN 6.5	
	[OK]	LOAN # OF MONTHS?	PAYMENT 600.00
	180	LOAN 180.	AMOUNT 100,000.00
Résoudre le problème 1	[OK]	LOAN 871.11	INTEREST 6.50 %
	[Months]	LOAN CALC. MONTH?	MONTH 432. *
	[OK]	LOAN PAYMENT 871.11	
	600	LOAN 600.	
	[OK]	LOAN AMOUNT 100'000.00	
	[OK]	LOAN INTEREST 6.50	
Résoudre le problème 2	[OK]	LOAN 432.	

29. Conversion de devises

Arrond. 5/4 Impr. Print Décimales 2 IC • Prêt • Σ/GT GT

*Taux de change = 0,745212
(veuillez vous reporter à « 1. Fonction PROG » pour connaître la façon de régler le taux de change).

<u>Problème</u>	<u>Saisie</u>	<u>Affichage</u>	<u>Papier</u>
	[CE/C]	0.	0. <input type="button" value="CL"/>
200 \$US = ? Euro	200	200.	
	[\$]	\$ 149.04	USD 200.00
149,04 EURO = ? \$US	[÷]	149.04	RATE 0.745212
	[\$]	200.00	EURO 149.04
			149.04 <input type="button" value="="/>

EURO	149.04
Rate	0.745212
USD	200.00

30. Fonction TEXTE

<u>Arrond.</u> 5/4	<u>Impr.</u> Print	<u>Décimales</u> 2	<u>IC</u> •	<u>Prêt</u> •	<u>Σ/GT</u> GT
-----------------------	-----------------------	-----------------------	----------------	------------------	-------------------

- ❖ Les fonctions texte 1, 2 et 3 comportent 48 caractères (2 lignes).
- ❖ Les fonctions texte A, B et C comportent 96 caractères (4 lignes).
- ❖ Les fonctions texte 1 à 3 et A à C ont été pré-réglées chez Victor. L'utilisateur peut toutefois remplacer le message pré-réglé par un message personnalisé.

<u>Problème</u>	<u>Saisie</u>	<u>Affichage</u>	<u>Papier</u>
Réaffichez le texte A	[TEXT]	DESC A 00 _	VICTOR TECHNOLOGY www.victortech.com 1-800-628-2420 ***** * THANK YOU * * PLEASE COME AGAIN * ***** //////////////// * THANK YOU * * PLEASE COME AGAIN * *****
Réaffichez le texte B	[Text A]	DESC A 00 VICTOR TECHN	
Changez la 1 ^{ère} ligne à / et enregistrez dans le texte B	[Text B]	DESC A 00 *****	
	[OK]	DESC A 96 _ (vous pouvez modifier le texte)	
	[00]	DESC A 96 /*****	
	[TAX2/ →] [00]	DESC A 96 /*****	
	(x 23 fois)	DESC A 96 //////////////*	
	[TEXT]	DESC A 96 //////////////*	
	[TEXT B]	DESC A 96 SAVE TEXT B	
		0.	

31. Fonction de réimpression

<u>Arrond.</u> 5/4	<u>Impr.</u> Reprint	<u>Décimales</u> 2	<u>IC</u> •	<u>Prêt</u> •	<u>Σ/GT</u> GT
-----------------------	-------------------------	-----------------------	----------------	------------------	-------------------

*Remarque : la touche [TEXT / Reprint] fonctionne comme le commutateur [Reprint] lorsque ce dernier est réglé en mode réimpression. L'appareil peut conserver un maximum de 24 entrées (depuis le dernier effacement avec la touche « Clear »). En mode réimpression, l'utilisateur peut réafficher et imprimer les transactions.

<u>Problème</u>	<u>Saisie</u>	<u>Affichage</u>	<u>Papier</u>
105000 + 125000 + (3300x15) = ?	[CE/C]	0.RE-PRINT..... 105,000.00 [H] 125,000.00 [H] 3,300.00 [X] 15.00 [H] 49,500.00 * 49,500.00 [H] 279,500.00 [TL] 279,500.00 [GT]
Réaffichez les transactions en mode réimpression	105000 [+]	105'000.00	
	125000 [+]	230'000.00	
	3300 [x]	3'300.00	
	15 [=]	49'500.00	
	[+]	279'500.00	
	[T]	GT 279'500.00	
	[GT]	279'500.00	
	[Reprint]	279'500.00	

|_____|

***Remarque** : dès que le maximum de 24 entrées est dépassé, les entrées précédentes sont éliminées.

32. Fonction d'aide

Arrond.
5/4

Impr.
Print

Décimales
2

IC
•

Prêt
•

Σ/GT
GT

L'utilisateur peut obtenir un message d'aide pour toutes les touches de fonction.

* Il est possible d'imprimer le message d'aide, même en mode réimpression.

	<u>Saisie</u>	<u>Affichage</u>	<u>Papier</u>
*le message défile à l'afficheur; appuyez sur OK pour l'arrêter et l'imprimer.	[HELP] [→]	PRESS FUNCTION BACKSPACE KEY PRESS (OK) TO PRINT	PRESS [→] TO REMOVE PREVIOUS KEYSTROKE.
	[OK]	0.	

Spécifications techniques

Type : machine à additionner/calculatrice de bureau, impression électronique/écran à fluorescent à vide

Opérations de base : addition/soustraction et multiplication/division

Capacité : saisie et résultats à 14 chiffres

Système décimal : mode addition (+), point flottant (F), point fixe (0, 1, 2, 3, 4, 6)

Fonctions : 4 règles, calculs successifs, calculs au moyen de la mémoire, calculs de total global, calculs constants, calculs de temps, calculs de prêt, calculs de taxes, calculs du coût, du prix de vente et de la marge, touche d'aide, messages textes, conversions de devise et touche de réimpression.

Imprimante : imprimante thermique

Consommation d'énergie : 27 watts

Largeur du papier : 2 1/4 po (57,5 ± 0,5 mm)

Affichage : afficheur ACL rétroéclairé à 14 chiffres

Température de service : 32 °F ~ 104 °F (0 °C ~ 40 °C)

Dimensions : longueur x largeur x hauteur : 12 1/2 po x 8 1/2 po x 2 5/8 po

Poids : 4,1 lb (1,86 kg)

Les présentes informations sont fournies conformément aux règlements de la FCC.

Cet appareil génère et utilise de l'énergie radiofréquence. S'il n'est pas installé ni utilisé correctement, c'est-à-dire conformément aux instructions du fabricant, il peut interférer avec la réception radiophonique et télévisuelle. Cet appareil a été testé et jugé conforme aux limites établies pour un dispositif de calcul de catégorie B, conformément aux spécifications du sous-article j de l'article 15 des règlements de la FCC. Ces limites sont destinées à fournir une protection raisonnable contre de telles interférences dans un environnement résidentiel. Il ne peut toutefois être garanti qu'aucune interférence ne nuira à certaines installations. Si cet appareil provoque un brouillage qui gêne la réception radiophonique ou télévisuelle, ce qui peut être vérifié en allumant l'appareil, puis en l'éteignant, il est conseillé à l'utilisateur de corriger ce brouillage en suivant l'une ou plusieurs des mesures suivantes :

- Réorientez l'antenne réceptrice.
- Déplacez le dispositif de calcul par rapport au récepteur.
- Éloignez le dispositif de calcul du récepteur.
- Branchez le dispositif de calcul dans une prise murale reliée à un circuit autre que celui où est branché le récepteur.

Le cas échéant, l'utilisateur devrait consulter le détaillant ou un technicien expérimenté en radio/télévision pour obtenir d'autres suggestions. Le livret suivant, préparé par la Commission fédérale des communications des États-Unis (FCC), peut également apporter une assistance additionnelle :

How to Identify and Resolve Radio-TV Interference Problems (comment identifier et résoudre les problèmes d'interférence radio et télé).

Vous pouvez vous procurer ce livret auprès du U.S. Government Printing office, Washington, DC 20420, numéro d'article 004-000-00345-4.

Afin de continuer à bénéficier de la performance optimale de votre appareil, utilisez des rubans de remplacement VICTOR authentiques. Pour les commander, communiquez avec votre détaillant VICTOR local ou avec notre service à la clientèle au 800-628-2420.

PL8000

CALCULADORA IMPRESORA PARA TRABAJO PESADO

MANUAL DE INSTRUCCIONES

- 1 -

Operaciones y mantenimiento general	3
Carga del papel.....	4
Reemplazo de la batería.....	5
Disposición del teclado.....	6
Características del interruptor deslizante.....	7
Funciones de las tecla.....	9
Identificación y solución de problemas.....	12
Ejemplos de aplicación	
1.Función PROG	
a. Ajustar TAX1, TAX2.....	13
b. Configurar moneda.....	13
c. Ajustar hora y fecha.....	14
d. Configurar saludo.....	14
e. Configurar idioma.....	15
2.Retroceso.....	16
3.Redondeo para suma y resta.....	16
4.Sumas y resta.....	17
5.Sumas y resta en modo de suma.....	17
6.Sumas y resta con recuento de artículos en ajuste bruto.....	17
7.Memoria de gran total	17
8.Cálculo repetitivo con referencia a la fecha.....	17
9.Multiplicación.....	17
10. Multiplicación secuencial (en cadena).....	18
11. Multiplicación constante.....	18
12. Multiplicación constante con acumulación.....	18
13. División.....	19
14. División constante.....	19
15. División con acumulación.....	19
16. Unidades/Cálculos de precio.....	20
17. Cálculo de impuestos.....	21
18. Porcentaje añadido.....	22
19. Porcentaje de descuento.....	22
20. Descuento en cadena con importe total del descuento.....	22
21. Cálculo de margen de utilidad bruta COSTO-VENTA- MARGEN.....	23
22. Rebaja y precio de venta.....	23
23. Factura.....	24
24. Nómina.....	25
25. Cálculo de memoria.....	26
26. Cálculo de hora.....	27
27. Cálculo de fecha.....	28
28. Cálculo de préstamo.....	29
29. \$ Función de conversión de moneda.....	29
30. Función de TEXTO.....	30
31. Función de reimpresión.....	30
32. Función AYUDA.....	31
33. Especificación técnica.....	32
34. Reglas FCC	33

ANTES DE ENCENDERLA - Antes de enchufar el cable de CA, compruebe la etiqueta de clasificación en la parte inferior para ver si el voltaje nominal corresponde con el voltaje local.

PRECAUCIONES

- La calculadora no debe estar cubierta al encenderla. Esto hará que la unidad se sobrecaliente.

- No utilice soluciones orgánicas como el alcohol, para limpiar el gabinete.

- No use ni deje la calculadora bajo la luz directa del sol. Deben evitarse las áreas sujetas a rápidos cambios de temperatura, alta humedad y suciedad.

MANTENIMIENTO GENERAL

1. No coloque la máquina en ubicaciones cálidas, polvorientas o húmedas.
2. Para limpiar el gabinete, use un paño tratado con silicona. No use agua o detergentes.
3. No coloque nada sobre el gabinete, en particular sobre el cabezal del mecanismo de la impresora.
4. Apague el interruptor de alimentación antes de quitar la clavija del enchufe de CA de la pared.
5. Apague el interruptor de alimentación cuando no la esté usando.

Carga del papel

1. Enchufe la calculadora y enciéndala.
2. Corte o rasgue de modo uniforme el extremo del rollo de papel para obtener un borde recto.
3. Coloque el rollo de papel en los soportes dobles del papel.
4. Empuje hacia arriba la palanca e inserte el papel como se muestra en el diagrama 1.
5. Empuje hacia abajo la palanca como se muestra en el diagrama 2.

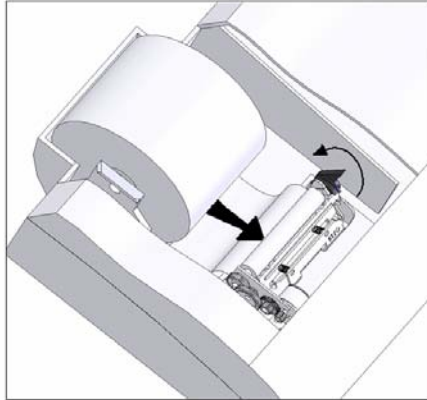


Diagrama 1: Gire hacia arriba la palanca e inserte el papel

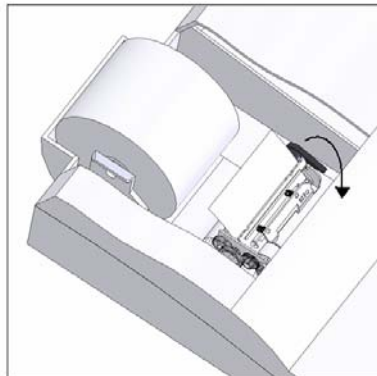
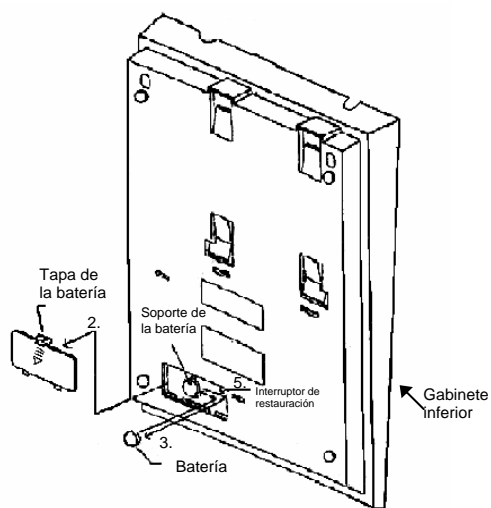


Diagrama 2: Gire hacia abajo la palanca para bloquear el rollo de papel

REEMPLAZO DE LA BATERÍA

1. Apague el interruptor de alimentación AC.
2. Quite - la tapa del compartimiento de la batería situada en el gabinete inferior de la calculadora.
3. Quite la batería antigua e instale una nueva CR2025 o equivalente.
4. Encienda el interruptor de alimentación AC.
5. **OPRIMA EL BOTÓN RESTAURAR**
6. Vuelva a colocar la tapa del compartimiento de la batería.
7. Vuelva a programar la fecha y hora

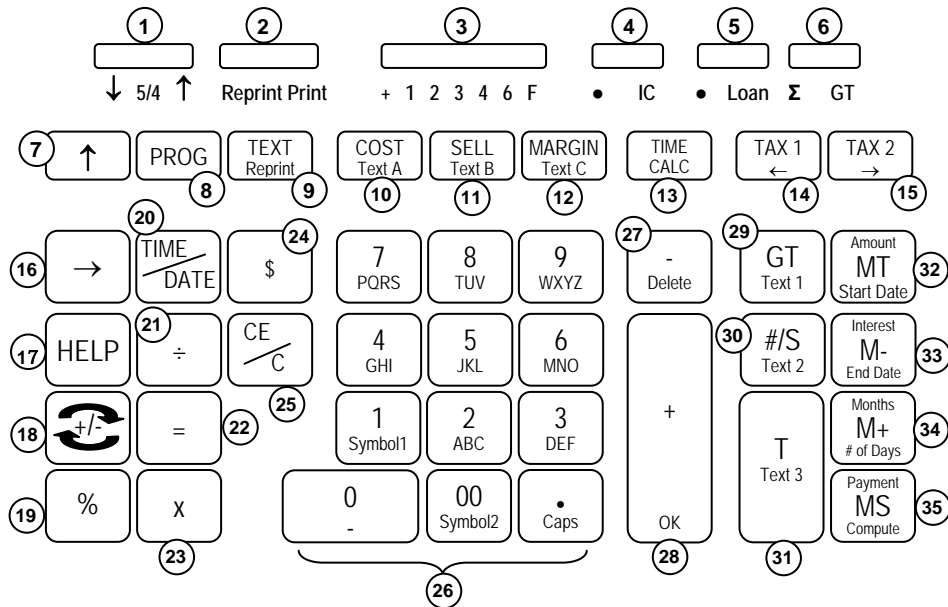


PRECAUCIÓN

Hay peligro de explosión si la batería se reemplaza de modo incorrecto. Sólo debe reemplazarla con un tipo de batería igual o equivalente que esté recomendado por el fabricante.

Deshágase de las baterías usadas de acuerdo con las instrucciones del fabricante.

Disposición del teclado del Modelo PL8000



1. Selector de redondeo	19. Tecla porcentaje
2. Interruptor imprimir / reimprimir	20. Tecla de visualización de hora y fecha
3. Selector decimal	21. Tecla división
4. Interruptor de recuento de artículos	22. Tecla igual
5. Interruptor de cálculo de préstamo	23. Tecla multiplicación
6. Interruptor de Sigma / Gran total	24. Tecla conversión de moneda
7. Alimentación de papel	Borrar entrada / Borrar tecla
8. Tecla programa	Teclado numérico
9. Tecla de modo de Texto / Reimprimir	27. Tecla Resta / Borrar
10. Tecla Costo / Texto A	28. Tecla Suma / Aceptar
11. Tecla VENDER / Texto	29. Tecla Gran total / Texto 1
12. Tecla Margen / Texto C	30. Tecla Subtotal / Fecha / Texto 2
13. Cálculo de Hora / Fecha	31. Tecla Total / Texto 3
14. Tax 1 / ← tecla	32. Tecla de Total de memoria/Cantidad/
15. Tax 2 / →tecla	33. Tecla de Resta de memoria/Interés/F
16. Tecla retroceso	34. Tecla de Suma de memoria/Meses/N
17. Tecla Ayuda	35. Tecla Subtotal de memoria/Pago/Cor
18. Tecla Cambio de signo	

Esta sección describe los interruptores de modo, las teclas de introducción de datos y las teclas de operación proporcionadas en su calculadora. Se usan los siguientes términos al analizar la operación de su calculadora:

- El **acumulador** es el área de la lógica de la calculadora que almacena un total corriente de los resultados de las operaciones de suma y resta. Es la porción de “sumadora” de la calculadora.
- El **registro calculador** es el área de la lógica de la calculadora donde se almacenan los resultados intermedios y finales de los cálculos de multiplicación, división y porcentajes. El contenido del registro calculador no afecta al acumulador.
- El **registro del teclado** es el área de la lógica de la calculadora que almacena el valor que se usará de inmediato en el siguiente cálculo.
- El **registro de recuento de artículos** es el área de la lógica de la calculadora que cuenta sus entradas para introducir las en el acumulador.
- El **registro de memoria** es el área de la lógica de la calculadora que acumula las cantidades que usted le suma o resta a la memoria. Dado que el registro de memoria es independiente del acumulador y del registro calculador, conserva el valor hasta que usted lo borre con la tecla de Memoria total (MT).

CARACTERÍSTICAS DEL INTERRUPTOR DESLIZANTE

Esta sección ilustra y describe los interruptores de modo que puede usar para controlar la operación de su calculadora.

- | | |
|---------|--|
| ↓ 5/4 ↑ | Selector de redondeo |
| ↓ | Redondeo hacia abajo (truncado) del resultado del cálculo. |
| 5/4 | Redondea el resultado del cálculo, si el último dígito de un resultado está seguido de un valor de 0 a 4, el dígito no se cambia. Si el último dígito de un resultado está seguido de un valor de 5 a 9, el dígito se redondea hacia arriba. |
| ↑ | Redondeo hacia arriba del resultado del cálculo. |
- | | |
|--------------------------------------|--|
| Reimprimir
Imprimir | Interruptor imprimir / reimprimir |
| Reimpresión
(No imprimir) | Modo de no impresión. La impresora se activa cuando se oprimen la tecla de Alimentación, la tecla de No sumar/Fecha, la tecla Ayuda o la tecla Reimprimir. |
| Imprimir | La impresora está activada mientras la calculadora esté encendida. |
- | | |
|------------------------|--|
| + 0 1 2 3 4 6 F | Selector de punto decimal |
| + | Modo de suma monetaria. En esta configuración, se asume que las cantidades introducidas son monetarias. La calculadora proporciona automáticamente un punto decimal a la izquierda de las últimos dos cifras introducidas. Use este ajuste para sumar, restar, multiplicar y |

dividir decimales.

Operación de modo Unidades/precio:

Multiplicación: El primer factor se introducirá como número entero y el segundo factor tendrá un punto decimal proporcionado a la izquierda de los últimos dos dígitos.

División: El primer factor tendrá un punto decimal proporcionado a la izquierda de los últimos dos dígitos y el segundo factor se introducirá como número entero.

- 0,1,2,3, 4, 6** Modo de punto decimal fijo; estos ajustes especifican el número de cifras a la derecha del punto decimal que se muestran en el resultado.
- F** Modo de punto decimal flotante; este ajuste especifica que todas las cifras del resultado se muestran, hasta un máximo de 10 en el modelo 1530-6, 12 en el modelo 1560-6 y 14 en el modelo 1570-6. Si el resultado supera estas capacidades, se abandonan las cifras excedentes a la derecha del punto decimal. No se da redondeo.
4. • **IC** **Interruptor de recuento de artículos**
- Modo de impresión sin recuento de artículos, el recuento de artículos no se imprimirá cuando se utilicen en Acumulador, la Memoria o el Gran total.
- IC** Imprimir recuento de artículos, el recuento de artículos se imprimirá cuando se recuerden o utilicen el Acumulador, la Memoria o el Gran total, excepto en modo de texto. El contador de artículos del Acumulador siempre se mostrará en la esquina superior izquierda de la pantalla.
5. • **Préstamo** **Interruptor de cálculo de préstamo**
- El cálculo de préstamos está deshabilitado y las teclas de memoria están habilitadas
- Préstamo** El cálculo de préstamos está habilitado y las teclas de memoria están deshabilitadas
Nota: El cálculo de hora y fecha están deshabilitados en este modo.
6. **Σ** **GT** **Interruptor de Sigma o Gran total**
- Σ** Cuando el interruptor está en posición “**Σ**”, el resultado de los cálculos de multiplicación o división realizados mediante la tecla = o % se suman automáticamente al Acumulador. La suma de estas acumulaciones se muestra oprimiendo la tecla **#/S** (Subtotal) y se muestran y borran oprimiendo la tecla **T** (Total).
- GT** Cualquier total obtenido con la tecla **T** se acumula automáticamente a la memoria del Gran total. El gran total acumulado se puede recordar oprimiendo la tecla **GT**.

FUNCIONES DE TECLA

7. [↑] **Tecla de alimentación de papel**
Hace avanzar el rollo de papel.
8. [PROG] **Tecla programa**
Programa la Tasa de impuestos, Tipo de cambio, Hora y fecha, Mensaje de saludo e Idioma.
9. [TEXT/Reprint] **Tecla de modo de Texto / Reimprimir**
Interruptor Imprimir encendido: Oprima una vez para entrar al modo de Texto.
Interruptor Reimprimir encendido: Imprime las entradas (máximo de 24 líneas) desde la última vez que se borró.
10. [COST/Text A] **Tecla Costo / Texto A**
COSTO Introduce el costo en un cálculo de Margen de utilidad bruta.
Texto A En modo de Texto, use esta tecla para imprimir o guardar el Texto A.
11. [SELL/Text B] **Tecla VENDER / Texto B**
VENDER Introduce el Precio de venta en un cálculo de Margen de utilidad bruta.
Texto B En modo de Texto, use esta tecla para imprimir o guardar el Texto B.
12. [MARGIN/Text C] **Tecla Margen / Texto C**
Margen Introduce el margen deseado en un cálculo de Margen de utilidad bruta.
Texto C En modo de Texto, use esta tecla para imprimir o guardar el Texto C.
13. [TIME CAL] **Tecla de cálculo de tiempo**
Oprimir esta tecla una vez pondrá la calculadora en modo de Cálculo de tiempo, lo que permite que se sumen, resten, subtotalicen y totalicen horas y minutos.
Oprimir por segunda vez pondrá la calculadora en modo Cálculo de fecha.
En modo de Fecha,
La tecla MT funciona como tecla **Fecha de inicio**,
La tecla M- funciona como tecla **Fecha final**,
La tecla M+ funciona como tecla **Número de días**,
La tecla MS funciona como tecla **Computar**.
14. [TAX1/←] **Tecla Tax 1 / Cursor izquierdo**
TAX1 Calcula una cantidad de impuestos con la tasa de impuestos preestablecida por la tecla **PROG**. Use la tecla **+** para calcular una cantidad incluidos impuestos y la tecla **-** para calcular una cantidad excluyendo impuestos.
← Funciona como tecla de cursor, en modo de Programa o modo de Texto.
15. [TAX2/→] **Tecla Tax 2 / Cursor derecho**
TAX2 Calcula una cantidad de impuestos con la tasa de impuestos preestablecida por la tecla **PROG**. Use la tecla **+** para calcular una cantidad incluidos impuestos y la tecla **-** para calcular una cantidad excluyendo impuestos.
→ Funciona como tecla de cursor, en modo de Programa o modo de Texto.

- 16. [→]** **Tecla retroceso**
Borra el carácter de la extrema derecha de una entrada activa.
- 17. [Help]** **Tecla Ayuda**
Oprima la tecla Ayuda, seguida de cualquier tecla de función, para leer el mensaje de ayuda.
Oprima la tecla [OK] para imprimir el mensaje más largo.
- 18. [+/-]** **Tecla de cambio de signo**
Invierte el signo de la pantalla.
- [%]** **Tecla porcentaje**
Efectúa el cálculo de porcentaje cuando se usa la tecla Múltiplo o División.
- 20. [TIME/DATE]** **Tecla de visualización de Hora y Fecha**
Recuerda la fecha y hora alternativamente.
- [+]** **Tecla división**
La tecla división realiza operaciones de división, división automática constante y operaciones secuenciales intermedias. Establece la cantidad introducida o la cantidad impresa o mostrada en pantalla como un divisor constante. La tecla + también provoca que la calculadora divida al oprimir las teclas =, %, +, -, **M+**, **M-**, **X** o ÷. Cada entrada de divisor se conserva como una constante (excepto las entradas +, -, **M+** y **M-**) hasta que oprime **x**, ÷ o **Clear**.
- Función de raíz cuadrada**
Oprima la tecla [=] justo después de la tecla [+] para realizar un cálculo de raíz cuadrada.
- 22. [=]** **Tecla igual**
Para calcular multiplicación o división.
- [x]** **Tecla multiplicación**
La tecla multiplicación realiza operaciones de multiplicación, multiplicación automática constante y operaciones secuenciales intermedias. Establece la cantidad introducida o la cantidad impresa o mostrada en pantalla como un multiplicando constante. La tecla **X** también provoca que la calculadora multiplique al oprimir las teclas =, %, +, -, **M+**, **M-**, **X** o ÷. Cada entrada de multiplicando se conserva como una constante (excepto las entradas +, -, **M+** y **M-**) hasta que usted oprime **x**, ÷ o **Clear**.
- 24. [\$]** **Tecla conversión de moneda**
Convierte el valor introducido o mostrado a una moneda extranjera. Si esta tecla se oprime justo después de la tecla [+], convertirá el valor introducido o en pantalla a la moneda local.
- [CE/C]** **Borrar entrada / Borrar tecla**
Borra una entrada activa oprimiendo esta tecla una vez. Oprímala dos veces para borrar el acumulador o el cálculo pendiente. No borra la memoria ni el gran total.
- [0] ~ [9],
[00] & [•]** **Teclas numéricas**
La calculadora usa el teclado convencional de indexado de 10 teclas e incluye la tecla de doble cero y una tecla de punto decimal.
- 27. [- / Delete]** **Tecla resta / borrar**
Resta una cantidad del Acumulador. Para restar la misma cantidad más de una vez (resta repetida), introduzca la cantidad una vez y oprima la

tecla Menos tantas veces como sea necesario. Si se oprime esta tecla inmediatamente después de la tecla [%], funciona como tecla de menos porcentaje.

- Borrar** Esta tecla funciona como tecla Borrar en modo de Texto.
28. **[+ / OK]** **Tecla suma / Aceptar**
+ Suma una cantidad al Acumulador. Para sumar la misma cantidad más de una vez (suma repetida), introduzca la cantidad una vez y oprima la tecla Más tantas veces como sea necesario. Si se oprime esta tecla inmediatamente después de la tecla [%], funciona como tecla de más porcentaje.
- Aceptar** En el modo PROG o modo de Texto, esta tecla funciona como tecla OK (Aceptar), para confirmar la selección.
29. **[GT / Text 1]** **Tecla Gran total / Texto 1**
GT Imprime y borra la Memoria de gran total o Sigma total.
- Texto 1** En modo de Texto, use esta tecla para imprimir o guardar el Texto 1.
30. **[#/S / Text 2]** **Tecla Fecha / Subtotal / Texto 2**
Imprime la entrada activa como identificador, como un número de factura, con una marca "#".
- S** Imprime, pero no borra el acumulador.
- Texto 2** En modo de Texto, use esta tecla para imprimir o guardar el Texto 2.
31. **[T / Text 3]** **Tecla Total / Texto 3**
T Imprime y borra el acumulador.
- Text 3** En modo de Texto, use esta tecla para imprimir o guardar el Texto 3.
32. **[MT / Amount / Start Date]** **Tecla de Total de memoria / Cantidad / Fecha de inicio**
- MT** Imprime y borra la memoria.
- Importe** En modo de Préstamo, oprima esta tecla para realizar el Cálculo del importe del préstamo.
*Consulte la página 29 para obtener los detalles de la operación.
- Fecha de inicio** En modo Cálculo de fecha, oprima esta tecla para introducir la fecha de inicio.
* Formato de la entrada: MM-DD-YYYY
* Consulte la página 28 para obtener los detalles de la operación.
33. **[M- / Interest / End Date]** **Tecla de Resta de memoria / Interés / Fecha final**
- M-** Resta una cantidad de la memoria. Si hay un cálculo activo pendiente, la tecla Menos memoria completará el cálculo y restará la cantidad de la memoria.
- Interés** En modo de Préstamo, oprima esta tecla para realizar el Cálculo del interés del préstamo.
- Fec. fin** En modo Cálculo de fecha, oprima esta tecla para introducir la fecha final.
* Formato de la entrada: MM-DD-YYYY
* Consulte la página 28 para obtener los detalles de la operación.

34. [M+ / Months / # of Days]

Tecla de Suma de memoria / Meses / N° de días

- M+** Suma una cantidad a la memoria. Si hay un cálculo activo pendiente, la tecla Más memoria completará el cálculo y sumará la cantidad a la memoria.
- Meses** En modo de Préstamo, oprima esta tecla para realizar el Cálculo de meses.
- # de días** En modo Cálculo de fecha, oprima esta tecla para introducir el N° de días.

35. [MS / Payment / Compute]

Tecla Subtotal de memoria/Pago/Computar

- MS** Imprime, pero no borra la memoria.
- Pago** En modo de Préstamo, oprima esta tecla para realizar el Cálculo del pago mensual.
- Computar** En modo Cálculo de fecha, oprima esta tecla para calcular los días entre fechas, una fecha futura o una fecha pasada.

Resolución de problemas

Muchos problemas, como la ausencia de alimentación o la falta de respuesta de las teclas, se pueden resolver con el botón RESET (Restaurar). Siga estas instrucciones:

1. La máquina debe estar enchufada y encendida, y en modo PRINT (impresión).
2. Gire la máquina para poder ver el compartimiento de la batería.
3. Abra el compartimiento de la batería y encuentre el botón RESET (restaurar) situado junto a la batería plateada.
4. Oprima el botón RESET, escuchará que la máquina hace un ciclo de encendido. Si no escucha que la máquina haga un reciclado, oprima el botón por 2ª vez.
5. Coloque de nuevo la tapa del compartimiento de la batería y ponga la máquina al derecho.
6. Probar la máquina

Si este procedimiento no ha resuelto su problema satisfactoriamente, llame al 1-800-628-2420 para obtener asistencia adicional.

Ejemplos de aplicación

a. Función PROG

Redondeo Impr. F IC Préstamo Σ/GT
 5/4 Impr. • • Σ

a. Ajustar TAX1, TAX2

Ajuste la tasa de TAX1 en 5.25%, ajuste TAX1 a GST
 Ajuste la tasa TAX2 en 6.25%.

<u>Introducir</u>	<u>Pantalla</u>	<u>Papel</u>
[PROG]	AJUSTAR TAX1?	GST% 5.25 %
[OK]	TAX1 0. %	
5.25	TAX1 5.25 %	TAX2% 6.25 %
[TEXT]	DESC A AX1 5.25 %	
	(T' está parpadeando, listo para introducir TEXTO)	
4	A GAX1 5.25 %	
7777	A GSX	
	5.25 %	
8	DESC A GST1 5.25 %	
[Delete]	DESC A GST_ 5.25 %	
[OK]	AJUSTAR GST	
	0.	
[PROG]	AJUSTAR TAX1?	
[PROG]	AJUSTAR TAX2?	
[OK]	TAX2 0. %	
6.25	TAX2 6.25 %	
[OK]	AJUSTAR TAX2	
	0.	

b. Establecer moneda

Ajuste el tipo de cambio en 0.745212, y cambie 'CurrB' a 'EURO'.

<u>Introducir</u>	<u>Pantalla</u>	<u>Papel</u>
[PROG]	AJUSTAR TAX1?	USD 0.745212
[PROG]	AJUSTAR TAX2?	
[PROG]	¿ESTABLECER MONEDA?	EURO
[OK]	USD 1.	
0.745212	USD 0.745212	
[OK]	DESC A CurrB	
	(C' está parpadeando, y listo para la modificación)	
33	DESC A EurrB	
88	DESC A EUrrB	
777	DESC A EURrB	
666	DESC A EURO _B	
[Delete]	DESC A EURO_	
[OK]	ESTABLECER MONEDA	
	0.	



c. Establecer hora y fecha

Ajuste la hora en 5 :04pm (El ajuste de tiempo siempre se hace en formato militar)

Ajuste la fecha en Mayo-31-2007

Ajuste el formato de Hora en 24 horas (el predeterminado es de 12 horas)

Ajuste el formato de fecha en MM-DD-YYYY (el predeterminado es MM-DD-YYYY)

<u>Introducir</u>	<u>Pantalla</u>	<u>Papel</u>
[PROG]	AJUSTAR TAX1?	05:04 PM
[PROG]	AJUSTAR TAX2?	
[PROG]	¿ESTABLECER MONEDA?	31 DE MAYO DE 2007 JUE
[PROG]	¿ESTABLECER HORA Y FECHA?	
[OK]	00:39 <small>(*0* está parpadeando, listo para la modificación)</small>	0. <input type="text" value="CL"/>
1704(formato militar)	1:04	
[OK]	01-01-2007 <small>(*0* está parpadeando, listo para la modificación)</small>	31 DE MAYO DE 2007 JUE 17:05
0531	05-31-2007 <small>(*2* está parpadeando)</small>	0. <input type="text" value="CL"/>
[OK]	12 HORAS	
[TAX1/←] (o [TAX2/→])	24 HORAS	
[OK]	MM-DD-AAAA	
[OK]	ESTABLECER HORA Y FECHA	
[CE/C]		0.
[TIME/DATE]	MAY-31-2007 JUE	0.
[TIME/DATE]	17:05:30	
[CE/C]		0.

d. Establecer saludo

Establecer el mensaje de saludo como 'QUE TENGA UN BUEN DÍA'

<u>Introducir</u>	<u>Pantalla</u>	<u>Papel</u>
[PROG]	AJUSTAR TAX1?	
[PROG]	AJUSTAR TAX2?	
[PROG]	¿ESTABLECER MONEDA?	
[PROG]	¿ESTABLECER HORA Y FECHA?	
[PROG]	¿ESTABLECER SALUDO?	
[OK]	DESC A 15VICTOR PL8000	
Mantenga oprimida[Delete]	DESC A -	
<small>(Para borrar la visualización en modo de Texto)</small>	<small>(parpadeando, y listo para la introducción de palabras)</small>	
Introduzca 'H' : 44	A 01 H_	
Introduzca 'A' : 2	A 02 HA_	
Introduzca 'V' : 888	A 03 HAV_	
Introduzca 'E' : 33	A 04 HAVE_	
Introduzca ' ' : 0	A 05 HAVE _	

3. Redondeo para suma y resta

<u>Redondeo</u> ↓	<u>Impr.</u> Impr.	0	<u>IC</u> •	<u>Préstamo</u> •	<u>Σ/GT</u> Σ
<u>Problema</u> .4 + 2.1 = ?	<u>Introducir</u> 3.4 [+] .1 [+] [T]		<u>Pantalla</u>		<u>Papel</u>
			3.4 5.5 5.		3.4 2.1 5.

4. Suma y resta

<u>Redondeo</u> 5/4	<u>Impr.</u> Impr.	<u>Decimal</u> F	•	<u>Préstamo</u> •	<u>Σ/GT</u> Σ
<u>Problema</u> 2 + 3.1415926 - 6 = ?	<u>Introducir</u> 2 [+] 3.1415926 [+] 6 [-] [T]		<u>Pantalla</u>		<u>Papel</u>
			2. 5.1415926 - 0.8584074 - 0.8584074		2. 3.1415926 6. - 0.8584074

* La pantalla estará en color ROJO cuando esté en una transacción negativa o un resultado negativo.

5. Suma y resta en modo de suma

<u>Redondeo</u> 5/4	<u>Impr.</u> Impr.	<u>Decimal</u> +	•	<u>Préstamo</u> •	<u>Σ/GT</u> Σ
<u>Problema</u> .23 - 4.56 + 7.89 = ?	<u>Introducir</u> 123 [+]		<u>Pantalla</u>		<u>P:</u>
			1.23		

[#/S]]	- 3.33
		4.56
[T]		4.56

6. **Suma y resta con recuento de artículos en ajuste bruto**

<u>Redondeo</u> 5/4	<u>Impr.</u> Impr.	<u>Decimal</u> +	<u>IC</u> IC	<u>Préstamo</u> •	<u>Σ/GT</u> Σ
Problema	Introducir		Pantalla		Papel
.32 + 7.98-33.33=?	[CE/C]		0.		0. [CL]
	1132 [+]	01	11.32		11.32 [H]
	798 [+]	02	19.30		7.98 [H]
	[#/S]	02	19.30		
	3333 [-]	03	- 14.03	002	19.30 [ST]
	[T]	00	- 14.03		33.33 [H]
	[CE/C]	00	0.	003	- 14.03 [TL]
					0. [CL]

* Cuando el interruptor IC está activado, el Contador de artículos para el Acumulador siempre se mostrará en la esquina superior izquierda de la pantalla LCD.

7. Memoria de gran total

<u>Redondeo</u> 5/4	<u>Impr.</u> Impr.	<u>Decimal</u> +	<u>IC</u> •	<u>Préstamo</u> •	<u>Σ/GT</u> GT	
Problema	Introducir				Pantalla	Papel
13.20 9.55	[CE/C]				0.	0. [CL]
8.30 7.36	13.2 [+]				13.20	
<u>2.95</u> <u>18.33</u>	8.3 [+]				21.50	13.20 [H]
24.45 + 35.24	2.95 [+]				24.45	8.30 [H]
	[T]	GT			24.45	2.95 [H]
						24.45 [TL+]
	9.55 [+]	GT			9.55	9.55 [H]
	7.36 [+]	GT			16.91	7.36 [H]
	18.33 [+]	GT			35.24	18.33 [H]
	[T]	GT			35.24	18.33 [H]
	[GT]	GT			35.24	35.24 [TL+]
					59.69	59.69 [GT]

8. Cálculo repetitivo con referencia a fecha

La fecha de referencia es 28/05/2007

<u>Redondeo</u> 5/4	<u>Impr.</u> Impr.	<u>Decimal</u> +	•	<u>Préstamo</u> •	<u>Σ/GT</u> Σ	
Problema	Introducir				Pantalla	Papel
6.54 + 6.54 + 6.54 -	[CE/C]				0.	[CL]
7.89 - 7.89 = ?	5.28.2007 [#S]				5.282007	# 5.28.2007
	654 [+]				6.54	6.54 [H]
	[+]				13.08	6.54 [H]
	[+]				19.62	6.54 [H]
	789 [-]				11.73	7.89 [H]
	[-]				3.84	7.89 [H]
	[T]				3.84	3.84 [TL]

9. Multiplicación

<u>Redondeo</u> ↓	<u>Impr.</u> Impr.	2	<u>IC</u> •	<u>Préstamo</u> •	<u>Σ/GT</u> GT	
Problema	Introducir				Pantalla	Papel
1.238 x 456 =?	1.238 [x]				1.238	1.238 [X]
	456				456.	456.00 [H]
	[=]				564.52	564.52 *

10. Multiplicación secuencial (en cadena)

<u>Redondeo</u> ↑	<u>Impr.</u> Impr.	<u>Decimal</u> 3	•	<u>Préstamo</u> •	<u>Σ/GT</u> GT
Problema 3.21 X 4.5 X 6.324 = ?	Introducir 3.21 [x] 4.5 [x] 6.324 [=]			Pantalla 3.210 14.445 91.351	Papel 3.210 [X] 4.500 [X] 6.324 [X] 91.351 *

11. Multiplicación constante

<u>Redondeo</u> 5/4	<u>Impr.</u> Impr.	2	<u>IC</u> •	<u>Préstamo</u> •	<u>Σ/GT</u> GT
Problema 2 x 4 = 8, 2 x 5 = 10 2 x 6 = 12	Introducir 2 [x] 4 [=] 5 [=] 6 [=]			Pantalla 2.00 8.00 10.00 12.00	Papel 2.00 [X] 4.00 [X] 8.00 * 5.00 [X] 10.00 * 6.00 [X] 12.00 *

12. Multiplicación constante con acumulación

<u>Redondeo</u> 5/4	<u>Impr.</u> Impr.	2	<u>IC</u> •	<u>Préstamo</u> •	<u>Σ/GT</u> Σ
Problema \$1.79 x 167 = \$298.93 \$1.79 x -230 = -\$411.70 \$1.79 x 104 = \$186.16 Total = ?	Introducir 1.79 [x] 167 [=] 230 [+/-] [=] 104 [=] [T]			Pantalla 1.79 298.93 -230. -411.70 186.16 73.39	Papel 1.79 [X] 167.00 [=] 298.93 [+] - 230.00 [=] - 411.70 [+] 104.00 [X] 186.16 [+] 73.39 [TL]

13. División

<u>Redondeo</u>	<u>Impr.</u>		<u>IC</u>	<u>Préstamo</u>	<u>Σ/GT</u>
↓	Impr.	3	•	•	GT
Problema	Introducir		Pantalla	Papel	
178 ÷ 6 =?	[CE/C]		0.	0. <input type="text"/>	
	178 [÷]		178.000	178.000 <input type="text"/>	
	6 [=]		29.666	6.000 <input type="text"/>	
				29.666 <input type="text"/>	*

14. División constante

<u>Redondeo</u>	<u>Impr.</u>		<u>IC</u>	<u>Préstamo</u>	<u>Σ/GT</u>
5/4	Impr.	2	•	•	GT
Problema	Introducir		Pantalla	Papel	
755 ÷ 4 = 188.75	755 [÷]		755.00	755.00 <input type="text"/>	
409 ÷ 4 = 102.25	4 [=]		188.75	4.00 <input type="text"/>	
32 ÷ 4 = 8.00	409 [=]		102.25	188.75 <input type="text"/>	*
	32 [=]		8.00	409.00 <input type="text"/>	*
				102.25 <input type="text"/>	*
				32.00 <input type="text"/>	*
				8.00 <input type="text"/>	*

15. División con acumulación

<u>Redondeo</u>	<u>Impr.</u>		<u>IC</u>	<u>Préstamo</u>	<u>Σ/GT</u>
5/4	Impr.	4	•	•	Σ
Problema	Introducir		Pantalla	Papel	
145 ÷ 12.25 + 15130 ÷	[CE/C]		145.0000	0. <input type="text"/>	
123.50 + 159.36 ÷	145 [÷]		11.8367	145.0000 <input type="text"/>	
10.25=?	12.25 [=]		15130.0000	12.2500 <input type="text"/>	
	15130 [÷]		122.5101	11.8367 <input type="text"/>	
	123.5 [=]		159.3600	15,130.0000 <input type="text"/>	
	159.36 [÷]		15.5473	123.5000 <input type="text"/>	
	10.25 [=]		149.8941	122.5101 <input type="text"/>	
	[T]			159.3600 <input type="text"/>	
				10.2500 <input type="text"/>	
				15.5473 <input type="text"/>	
				149.8941 <input type="text"/>	T

16. Unidades/Cálculos de precio

<u>Redondeo</u> 5/4	<u>Impr.</u> Impr.	<u>Decimal</u> +	•	<u>Préstamo</u> •	<u>Σ/GT</u> Σ
<u>Problema</u>		<u>Introducir</u>		<u>Pantalla</u>	<u>Papel</u>
132 x \$ 5.67 = \$748.44		[CE/C]		0.	0. <input type="text"/>
146 x \$ 4.45 = \$649.70		132 [x]		132.00	
x \$ 3.11 = \$482.05		567 [=]		748.44	132.00 <input type="text"/>
Total = ?		146 [x]		146.00	5.67 <input type="text"/>
		445 [=]		649.70	748.44 <input type="text"/>
		155 [x]		155.00	
		311 [=]		482.05	146.00 <input type="text"/>
		[T]		1'880.19	4.45 <input type="text"/>
					649.70 <input type="text"/>
					155.00 <input type="text"/>
					3.11 <input type="text"/>
					482.05 <input type="text"/>
					1,880.19 <input type="text"/>

18. Porcentaje añadido

<u>Redondeo</u> ↓	<u>Impr.</u> Impr.	<u>Decimal</u> 2	<u>Préstamo</u> •	<u>Σ/GT</u> GT
Problema		Introducir	Pantalla	Papel
Precio	\$ 3.95	[CE/C]	0.	0. <input type="text"/>
Impuestos	5%	3.95 [x]	3.95	3.95 <input type="text"/>
Importe de impuestos	\$ 0.19	5 [%]	0.19	5.00 <input type="text"/>
Cantidad neta	\$ 4.14	[+]	4.14	0.19 *
				4.14 <input type="text"/>

19. Porcentaje de descuento

<u>Redondeo</u> 5/4	<u>Impr.</u> Impr.	2	<u>IC</u> •	<u>Préstamo</u> •	<u>Σ/GT</u> GT
Problema		Introducir	Pantalla	Papel	
Precio	\$169.50	[CE/C]	0.	0. <input type="text"/>	
Descuento	14%	169.5 [x]	169.50	169.50 <input type="text"/>	
Importe del descuento	\$ 23.73	14 [%]	23.73	14.00 <input type="text"/>	
Cantidad neta	\$145.77	[-]	145.77	23.73 *	
				145.77 <input type="text"/>	

20. Descuento en cadena con importe total del descuento

<u>Redondeo</u> 5/4	<u>Impr.</u> Impr.	2	<u>IC</u> •	<u>Préstamo</u> •	<u>Σ/GT</u> GT
Problema		Introducir	Pantalla	Papel	
\$23.15 menos 15/10/5%		23.15 [M+]	.15	23.15 <input type="text"/>	
= \$16.82 Net		[x]	.15	23.15 <input type="text"/>	
		15 [%]	3.47	15.00 <input type="text"/>	
Cantidad total de		[-]	.68	3.47 *	
Descuento \$6.33		[x]	19.68	19.68 <input type="text"/>	
		10 [%]	1.97	19.68 <input type="text"/>	
		[-]	17.71	19.68 <input type="text"/>	
		[x]	17.71	10.00 <input type="text"/>	
		5 [%]	0.89	1.97 *	
		[-]	16.82	17.71 <input type="text"/>	
		[M-]	16.82	17.71 <input type="text"/>	
		[MT]	.33	5.00 <input type="text"/>	
				0.89 *	
				16.82 <input type="text"/>	
				16.82 <input type="text"/>	
				6.33 <input type="text"/>	

21. Cálculo de margen de utilidad bruta COSTO-VENTA-MARGEN

<u>Redondeo</u> 5/4	<u>Impr.</u> Impr.	0	<u>IC</u> •	<u>Préstamo</u> •	<u>Σ/GT</u> GT
Problema	Introducir		Pantalla		Papel
Costo=100, Margen=20%, Venta=?	100 [COSTO] 20 [MARGEN] [CE/C] 100 [COSTO]	COSTO VENTA 125. COSTO 100 [COSTO]		.	COSTO 100. MARG% 20. 25. Δ*
Costo=100, Venta=125, Margen=?	125 [SELL] [CE/C]	100. MARGEN 20. VENTA		0.	VENDER 125. * 0. <input type="text" value="CL"/>
Venta = 125, Margen = 20%, Costo =?	[SELL] 20 [MARGEN]	125. COSTO 100.		0.	COSTO 100. VENDER 125. 25. Δ* MARG% 20. * 0. <input type="text" value="CL"/>
					VENDER 125. MARG% 20. 25. Δ* COSTO 100. *

22. Rebaja y precio de venta

<u>Redondeo</u> 5/4	<u>Impr.</u> Impr.	2	<u>IC</u> •	<u>Préstamo</u> •	<u>Σ/GT</u> GT
			Introducir	Pantalla	Papel
Costo del artículo	\$100.00	100 [COSTO]	[CE/C] 100 [COSTO]	COSTO 100.00	0. <input type="text" value="CL"/>
Rebaja (porcentaje) (Basado en el precio de venta que se determinará)	6.5%	6.5 [+/-] [MARGEN]	VENTA 93.90	- 6.5	COSTO 100.00 MARG% - 6.50 - 6.10 Δ*
Rebaja (CANTIDAD)	\$ 6.10				VENDER 93.90 *
Precio de venta	\$ 93.90				

23. Factura

Número de factura 88901; Fecha 5/11/07

<u>Redondeo</u>		<u>Impr.</u>	+	<u>IC</u>	<u>Préstamo</u>	<u>Σ/GT</u>
5/4		Impr.		•	•	Σ
Problema		Neto	Introducir		Pantalla	Papel
Cantidad	Precio		88901		88901.	# 88901
16	3.29	52.64	[#/S]		88'901.	
108	1.39	150.12	11.5.07		11.507	# 11.5.07
Bruto		202.76	[#/S]		11.507	
Menos 10% de descuento		- 20.28	[x]		16.00	16.00 <input type="checkbox"/>
		.48	3.29 [=]		52.64	3.29 <input type="checkbox"/>
Impuesto 5%		+ 9.12	[x]		108.00	52.64 <input type="checkbox"/>
Neto		191.60	.39 [=]		150.12	
			[T]		202.76	108.00 <input type="checkbox"/>
			[x]		202.76	1.39 <input type="checkbox"/>
			10 [%]		20.28	150.12 <input type="checkbox"/>
			[-]		182.48	
			[x]		182.48	202.76 <input type="checkbox"/>
			5 [%]		9.12	
			[+]		191.60	202.76 <input type="checkbox"/>
			[CE/C]		0.	10.00 <input type="checkbox"/>
						20.28 <input type="checkbox"/>
						182.48 <input type="checkbox"/>
						182.48 <input type="checkbox"/>
						5.00 <input type="checkbox"/>
						9.12 <input type="checkbox"/>
						191.60 <input type="checkbox"/>
						0. <input type="checkbox"/>

24. Nómina

Redondeo Impr. IC Préstamo Σ/GT
 5/4 Impr. 2 • • Σ

Problema;

Dado

\$ 5.75 Tarifa por hora
 38 Horas
 trabajadas
 7.15% FICA
 \$ 23.75 Retención
 \$ 4.75 Seguros

Encontrar

Pago ordinario \$ 218.50
 Deducciones \$ 44.12
 totales
 Pago neto \$ 174.38

Introducir

[CE/C] M
 5.75 [x] M
 38 [M+] M
 [x] M
 7.15 [%] M
 23.75 [+] M
 4.75 [+] M
 [T] M
 [M-] M
 [MT]

Pantalla

0.
 5.75
 .50
 .50
 .62
 .37
 .12
 .12
 .12
 174.38

Papel

0.	<input type="button" value="CL"/>
5.75	<input type="button" value="x"/>
38.00	<input type="button" value="="/>
218.50	<input type="button" value="M+"/>
218.50	<input type="button" value="x"/>
7.15	<input style="border: none; border-bottom: 1px solid black; padding-bottom: 2px;" type="button" value="%"/>
15.62	<input type="button" value="+"/>
23.75	<input type="button" value="M"/>
4.75	<input type="button" value="+"/>
44.12	<input type="button" value="TL"/>
44.12	<input type="button" value="M-"/>
174.38	<input type="button" value="MT"/>

25. Cálculo de memoria

<u>Redondeo</u> 5/4	<u>Impr.</u> Impr.	F	<u>IC</u> •	<u>Préstamo</u> •	<u>Σ/GT</u> Σ
Problema	Introducir		Pantalla	Papel	
100 + 200 = ?	[CE/C]		0.	0. <input type="text"/>	
- 500 = ?	100 [+]		100.	100. <input type="text"/>	
x 7 = ?	200 [+]		300.	200. <input type="text"/>	
12 x 5 = ?	[T]		300.	300. <input type="text"/>	
<u>Total = ?</u>	[M+]	M	300.	300. <input type="text"/>	
	900 [+]	M	900.	300. <input type="text"/>	
	500 [-]	M	400.	900. <input type="text"/>	
	[T]	M	400.	900. <input type="text"/>	
	[M+]	M	400.	500. <input type="text"/>	
	20 [x]	M	400.	<input type="text"/>	
	7 [M+]	M	20.	400. <input type="text"/>	
	12 [x]	M	.	400. <input type="text"/>	
	5 [M+]	M	12.	20. <input type="text"/>	
	[MS]	M	60.	7. <input type="text"/>	
	[MT]	M	900.	140. <input type="text"/>	
			900.	12. <input type="text"/>	
				5. <input type="text"/>	
				60. <input type="text"/>	
				900. <input type="text"/>	
				900. <input type="text"/>	

[TIME CALC]

0.

8.	$\frac{1}{8}$
1.4875	*
01-29	$\frac{1}{8}$
23-01	$\frac{1}{8}$
00-00-0000	$\frac{1}{8}$
0.	$\frac{1}{8}$

27. Cálculo de fecha

La tecla [TIME CALC] se usa para entrar y salir del modo de cálculo de hora y fecha.

<u>Redondeo</u> 5/4	<u>Impr.</u> Impr.	<u>Decimal</u> 2	.	<u>Préstamo</u> •	<u>Σ/GT</u> GT
------------------------	-----------------------	---------------------	---	----------------------	-------------------

En el modo de cálculo normal, oprima dos veces la tecla [TIME CALC] para entrar en el modo Cálculo de fecha.

En modo de Cálculo de fecha: la tecla [MT] funciona como tecla [Start Date].

La tecla M- funciona como tecla [End Date],

La tecla M+ funciona como tecla [# of Days],

La tecla MS funciona como tecla [Compute].

Problema: Computar el número de días entre 25-Mayo-2007 y 30-Mayo-2007

<u>Introducir</u>		<u>Pantalla</u>	<u>Papel</u>
[CE/C]		0.	0. [CL]
[TIME CALC]	HORA	00-	
		00	
[TIME CALC]	HORA	00-00-	[CL]
		0000	
05252007 [Fecha de inicio]	HORA	05-25-	
		2007	
05302007 [Fecha de finalización]	HORA	05-30-	
		2007	
[Compute]	HORA	5.	00-00-0000 [CL]
			INICIO 05-25-2007
			FIN 05-30-2007
			# DE DÍAS 5.

Problema: Determinar la fecha 5 días después de 25-May-2007

<u>Introducir</u>		<u>Pantalla</u>	<u>Papel</u>
05252007 [Fecha de inicio]	HORA	05-25-	INICIO 05-25-2007
		2007	
[# of Days]	HORA	0.	# DE DÍAS 5.
[Compute]	HORA	5.	FIN -30-2007
	HORA	05-30-2007	

Problema: Determinar la fecha 5 días antes de 30-May-2007

<u>Introducir</u>		<u>Pantalla</u>	<u>Papel</u>
05302007 [Fecha de inicio]	HORA	05-30-	INICIO -30-2007
		2007	
[# of Days]	HORA	0.	# DE DÍAS -5.
5 [+/-]	HORA	- 5.	FIN 05-25-2007
[Compute]	HORA	05-25-	
		2007	0. CL
[TIME CALC]			

Nota: Rango de fechas 1-1-1900 → 12-31-2999

		MO		
		PRÉ		
	[OK]	STA	INTEREST	
		MO	6.50	
		PRÉ		
Resolver		STA		
problema 2	[OK]	MO		432.

29. \$ Función de conversión de moneda

	<u>Impr.</u>	<u>Decimal</u>	<u>IC</u>	<u>Préstamo</u>	<u>Σ/GT</u>
5/4	Impr.	2	•	•	GT

*Tipo de cambio = 0.745212
 (Consulte 'Función 1. PROG', para ver la forma de ajuste del tipo de cambio)

<u>Problema</u>	<u>Introducir</u>	<u>Pantalla</u>	<u>Papel</u>
	[CE/C]	0.	0. <input type="text"/>
USD 200 = Euro ?	200 [\$]	\$ 149.04	USD 200.00
EURO 149.04 = USD ?	[÷] [\$]	€ 149.04 200.00	TASA .745212 EURO 149.04
			149.04 <input type="text"/> EURO 149.04 Rango 0.745212 USD 200.00

30. Función TEXT

5/4 Impr. Decimal IC Préstamo Σ/GT
 Impr. 2 • • GT

- ❖ Hay 48 caracteres (2 líneas) para Texto 1 ~ 3
- ❖ Hay 96 caracteres (4 líneas) para Texto A ~ C
- ❖ Tanto Texto 1 ~3 como Texto A ~ C están preestablecidos por Victor. El usuario puede sobrescribir el mensaje preestablecido con un mensaje personalizado.

<u>Problema</u>	<u>Introducir</u>	<u>Pantalla</u>	<u>Papel</u>
Recordar Texto A	[TEXT] [Text A]	DESC A 00 _ DESC A 00 VICTOR TECHN	VICTOR TECHNOLOGY www .victortech.com 1-800-628-2420
Recordar Texto B	[Text B]	DESC A 00 *****	*****
Cambie la 1ª línea a / y guárdelo en Texto B	[OK] [00] [TAX2/ →] [00] (x 23 veces) [TEXT] [TEXT B]	DESC A _ (listo para modificación) DESC A 96 / ***** DESC A 96 / ***** DESC A 96 //////////////* DESC A //////////////* DESC A % GUARDAR TEXTO B	***** * GRACIAS * * VUELVA PRONTO * ***** //////////////////// * GRACIAS * * VUELVA PRONTO * *****

31. Función de reimpresión

5/4 Impr. Decimal IC Préstamo Σ/GT
 Reimpresión 2 • • GT

***Nota:** La tecla [TEXT / Reprint] actúa como función [Reprint], con el interruptor Imprimir en modo Reimpresión.
 La máquina puede almacenar un máximo de 24 entradas (desde la última función de borrado o Clear); el usuario puede recordar e imprimir las transacciones en el modo Reimprimir.

<u>Problema</u>	<u>Introducir</u>	<u>Pantalla</u>	<u>Papel</u>
105000 + 125000 + (3300x15) = ? Recordar las transacciones en Modo de reimpresión	[CE/C] [+] [+] [x] 15 [=] [+] [T] [GT] [Reprint]	0. 105'000.00 230'000.00 3'300.00 49'500.00 279'500.00 '500.00 279'500.00 279'500.00REIMPRIMIR..... 105,000.00 <input type="checkbox"/> 125,000.00 <input type="checkbox"/> 3,300.00 <input checked="" type="checkbox"/> 15.00 <input type="checkbox"/> 49,500.00 * 49,500.00 <input type="checkbox"/> 279,500.00 <input type="checkbox"/> 279,500.00 <input type="checkbox"/>

***Nota:** Una vez que las transacciones tengan más de 24 entradas, las entradas anteriores se truncarán.

32. Función HELP

5/4 Impr. Decimal IC Préstamo Σ/GT
Impr. • • •

El usuario puede obtener un mensaje de ayuda (HELP) para todas las teclas de función.
* El usuario puede imprimir el mensaje de ayuda, incluso en modo 'Reimprimir'.

	<u>Introducir</u>	<u>Pantalla</u>	<u>Papel</u>
*el mensaje es Se desplaza en la pantalla y se detendrá en (OK) TO PRINT (Aceptar para imprimir)	[HELP]	OPRIMIR FUNCIÓN	OPRIMA [→] PARA ELIMINAR TECLA ANTERIOR
	[←]	TECLA RETROCESO	
	[OK]	OPRIMA OK PARA IMPRIMIR	
		0.	

Especificaciones técnicas

Tipo: Sumadora de escritorio/Calculadora, Impresión electrónica/VFD

Operaciones básicas: Suma/resta y multiplicación/división

Capacidad: Entrada y resultado 14 Dígitos

Sistema decimal: Modo agregar (+), Flotante (F), Fijo (0, 1, 2, 3, 4, 6)

Funciones: 4 reglas, cálculo sucesivo, cálculo de memoria, cálculo de gran total, cálculos constantes, cálculo de tiempo, cálculo de préstamos, cálculo de impuestos, cálculo de costo, venta y margen, tecla ayuda, mensajes de texto, conversión de moneda y tecla de reimpresión.

Impresora: Impresora térmica

Consumo de energía: 27 Watts

Ancho del papel: 2-1/4", 57.5 ± 0.5mm

Pantalla: Pantalla de LCD con iluminación trasera de 14 dígitos

Temp. de operación: 32° ~ 104° F, 0° ~ 40° C

Dimensiones: 12-1/2" La x 8-1/2" An x 2-5/8" Al

Peso: 4.1 lbs, 1.86kg

Esta información se proporciona para cumplir con los requisitos de la FCC.

Este equipo genera y usa energía de radiofrecuencia y, si no se instala y utiliza correctamente, es decir, de acuerdo con las instrucciones del fabricante, puede causar interferencia a la recepción de radio y televisión. Se ha probado su tipo y se ha determinado que cumple con los límites de un dispositivo de cómputo de Clase B de acuerdo con las especificaciones de la Subsección j de la Sección 15 de las reglas de la FCC, que están diseñadas para proporcionar una protección razonable contra tal interferencia en una instalación residencial. No obstante, no hay garantía de que no ocurra interferencia en una instalación determinada. Si este equipo causa interferencia a la recepción de radio o televisión, lo cual puede determinarse encendiendo y apagando el equipo, se recomienda al usuario que intente corregir la interferencia con una o más de las medidas siguientes:

- Reorientar la antena receptora.
- Reubicar el dispositivo de cómputo respecto del receptor.
- Alejar el dispositivo de cómputo del receptor.
- Conecte el dispositivo de cómputo en un enchufe distinto de modo que el dispositivo de cómputo y el receptor estén en circuitos de ramas diferentes.

De ser necesario, el usuario debe consultar al distribuidor o a un técnico con experiencia en radio y televisión para obtener sugerencias adicionales. El usuario puede hallar útil el siguiente folleto preparado por la Comisión Federal de Comunicaciones:

"How to Identify and Resolve Radio-TV Interference Problems"

Este folleto está disponible en la oficina de impresiones del gobierno de los EE.UU., Washington, DC 20402, No. de inventario 004-000-00345-4.

Para garantizar el desempeño óptimo futuro use cintas de reemplazo VICTOR genuinas. Para hacer un pedido comuníquese con su distribuidor local VICTOR o llame a nuestro Departamento de Servicio al Cliente al 800-628-2420.

Free Manuals Download Website

<http://myh66.com>

<http://usermanuals.us>

<http://www.somanuals.com>

<http://www.4manuals.cc>

<http://www.manual-lib.com>

<http://www.404manual.com>

<http://www.luxmanual.com>

<http://aubethermostatmanual.com>

Golf course search by state

<http://golfingnear.com>

Email search by domain

<http://emailbydomain.com>

Auto manuals search

<http://auto.somanuals.com>

TV manuals search

<http://tv.somanuals.com>