

VIDEX[®] Art. VX800N

Installation Instructions

MODELS:

VX800N-2	Module 2 Relay
VX800N-2L	Module 2 Relay plus panel illumination
VX800N/F	Stand alone unit 2 Relay. Flush mounting
VX800N/S	Stand alone unit 2 Relay. Surface mounting
VX800N-3	3 Relay
VX800N-3L	3 Relay plus panel illumination

FEATURES

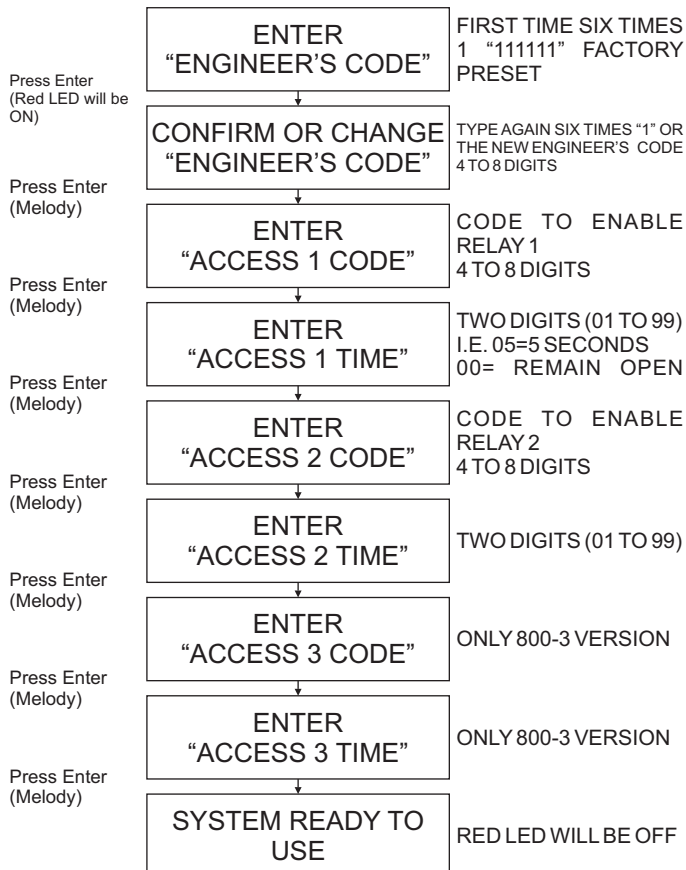
- Access control system with 2 codes and 2 Relay outputs (3 codes, 3 relays on VX800N-3.. version).
- Engineer's code to enter into the "Programming Menu" (from 4 to 8 digits).
- Programming of the activation time of each relay from 1 up to 99 seconds or latching.
- Possibility to activate relay 1 by shorting terminal "SW1" to GND and relay 2 by shorting terminal "SW2" to GND. Both relays will operate for the programmed time (this feature is not available on VX800N-3 version).
- Keypad gives an acoustic (buzzer) signal during the entering of codes and a continuous melody for 4 or more seconds, according to the number of mistakes (self protection).
- Keypad includes panel illumination (VX800N-..L only) and 2 LED's to show the following:
 - Correct relay code (green LED on for 2 seconds).
 - Red LED to indicate when in the "programming menu".
- Contacts of the relays are available (N.O and N.C) with 5A max 24Vac/dc.
- Power requirements: 12/24V AC/DC, 2VA.
- Working temperature: -10 +50°C

OPERATION

To use the system, type in the programmed code and press "ENTER" , the green LED will illuminate and the relay will operate for the programmed time. To cancel remain open time, type in the same code and press "CLEAR". If a wrong code is entered, a continuous melody will sound for 4 or more seconds, according to the number of mistakes.

INITIALIZATION

When the installation is concluded and carried out according to the wiring diagram, power up the system and program it by following the "VX800 PROGRAMMING" Flow Chart.



GENERAL DIRECTIONS FOR INSTALLATION

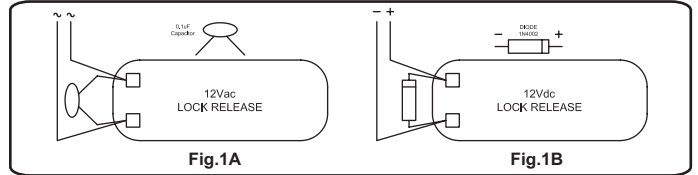
In order to achieve the best results from the schematics described it is necessary to install only original VIDEX equipment, strictly keeping to the items indicated on each schematic and follow these General Directions for Installation:

- The system must be installed according to national rules in force, in any case the running of cables of any intercom unit must be carried out separately from the mains;
- All multipair cables should be compliant to CW1308 specification (0.5mm twisted pair telephone cable).
- Cables for speech line and service should have a max resistance of 10Ω
- Lock release wires should be doubled up (Lock release wires and power supply wires should have a max resistance of 3Ω);
- The cable sizes above can be used for distances up to 50m. On distances above 50m the cable sizes should be increased to keep the overall resistance of the cable below the RESISTANCES indicated above;
- Double check the connections before power up;
- Power up the system then check all functions.

LOCK RELEASE BACK EMF PROTECTION

A capacitor must be fitted across the terminals on AC lock release (Fig.1A) and a diode must be fitted across the terminals on a DC lock release (Fig.1B) to suppress back EMF voltages.

Connect the components to the lock releases as shown in figures.



BUZZER BACK EMF

When using intercoms with buzzer call (Art.924/926, SMART1/2, 3101/2, 3001/2 and 3021/2) add one 0,1uF capacitor between terminals 6 and 3.

If help is required for installing or operating this unit please contact our technical department on +39 0734 631669 (all countries) or +44 0191 224 3174 (UK).

Factory - Office
VIDEX ELECTRONICS S.p.A. Via del lavoro,1 63020 MONTEGIBERTO (AP) - ITALY
 Phone: (+39) 0734 - 631669 Fax: (+39) 0734 - 632475 www.videx.it e-mail: info@videx.it
Northern UK Office
VIDEX LTD Unit 4-7 Chillingham Industrial Estate Chapman Street NEWCASTLE UPON TYNE
 Ne6 2XX
 Phone: (+44) 0870 3001240 Fax: (+44) 0191 - 2241559 www.videx-security.com

PROGRAMMING(refer also to flow chart)

- ▶ Enter "ENGINEER'S CODE": first time type six times "1" (111111 factory preset) and press ENTER (The red LED will illuminate).
- ▶ Confirm "ENGINEER'S CODE" (typing again the same) or type the new code (4 to 8 digits) then press ENTER (Melody). Pressing twice the ENTER button without changing the "ENGINEER'S CODE", will exit from the programming.
- ▶ Enter the code (4 to 8 digits) to enable "RELAY 1" (ACCESS 1) or re-enter the existing code then press ENTER (Melody).
- ▶ Enter the "RELAY 1" operation time (2 digits 01 to 99 I.E. 05=5 seconds, 00= remain open time) or re-enter the existing time then press ENTER (Melody).
- ▶ Enter the code (4 to 8 digits) to enable "RELAY 2" (ACCESS 2) or re-enter the existing code then press ENTER (Melody).
- ▶ Enter the "RELAY 2" operation time (2 digits 01 to 99 I.E. 05=5 seconds, 00= remain open time) or re-enter the existing time then press ENTER (Melody).
- ▶ Enter the code (4 to 8 digits) to enable "RELAY 3" (ACCESS 3 only for 3 relay models) or re-enter the existing code then press ENTER (Melody).
- ▶ Enter the "RELAY 3" (only for 3 relay models) operation time (2 digits 01 to 99 I.E. 05=5 seconds, 00= remain open time) or re-enter the existing time then press ENTER (Melody).
- ▶ The system is ready to use (the red LED will be off).

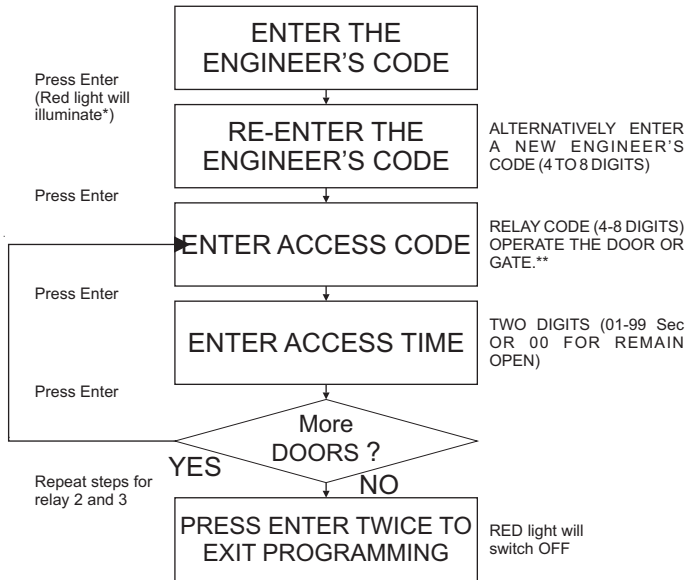
INSTRUCTION TO RETURN SYSTEM TO PRESET ENGINEER'S FACTORY CODE

- ▶ Turn off power to code lock.
- ▶ Keep "ENTER" button pressed while turning back on the power to the code lock.
- ▶ Release "ENTER" button.
- ▶ The master code is now set at factory engineer's code "111111" (six times "1").
- ▶ Proceed with programming for a new system.

NOTES

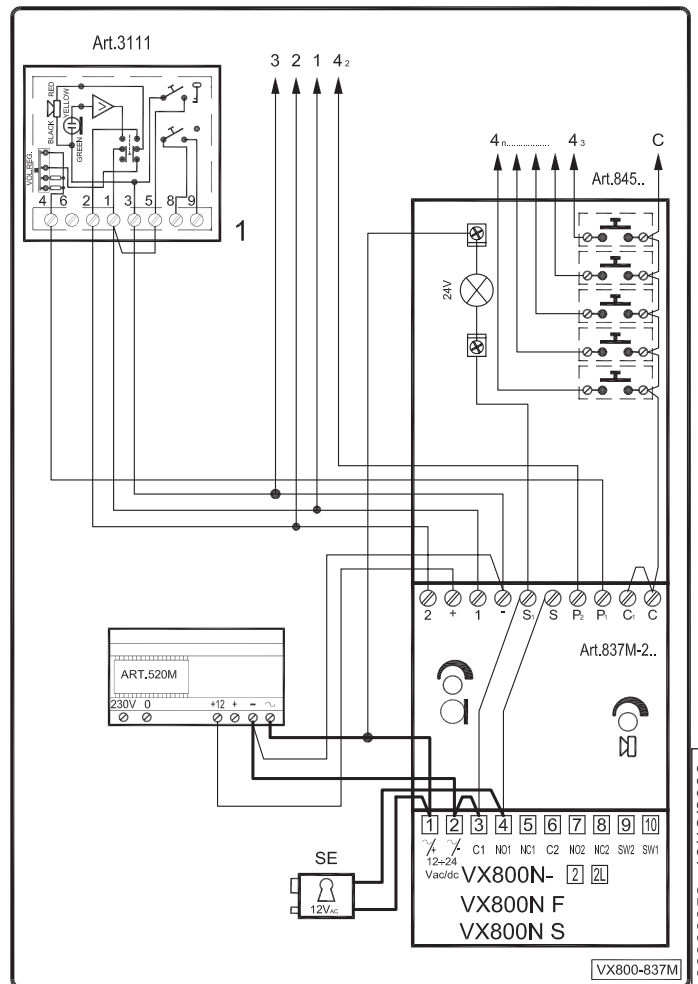
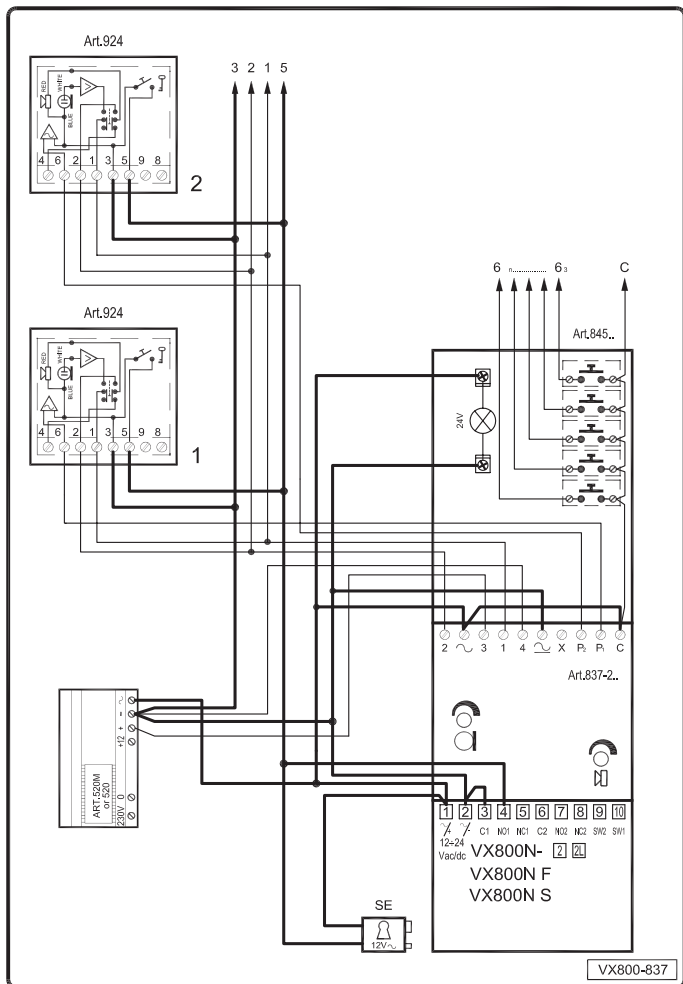
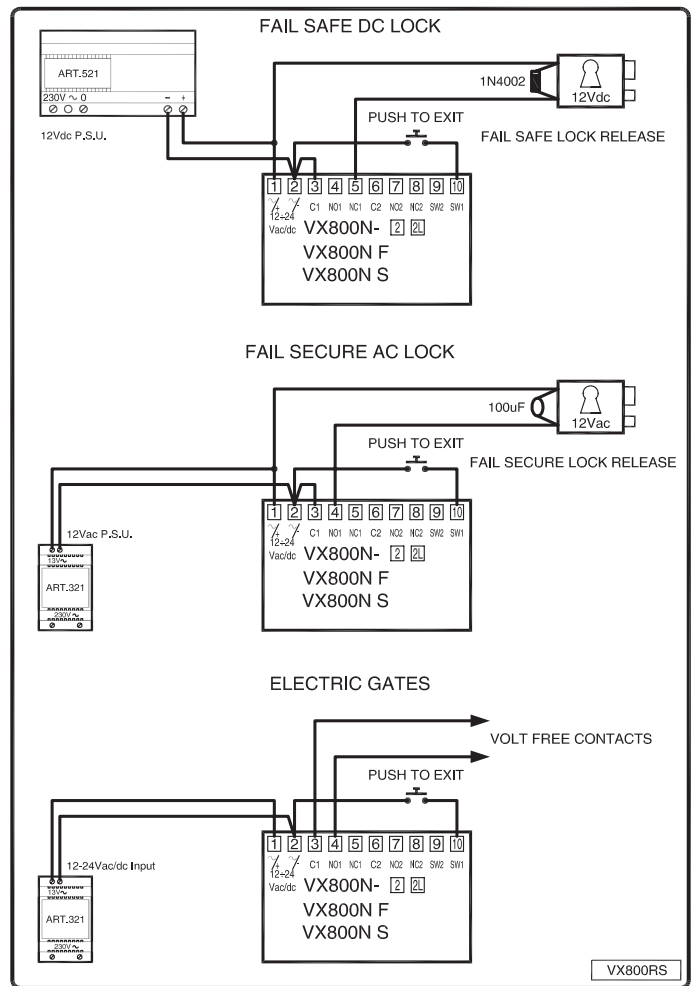
- ▶ To switch off any relay while operating, type in the relevant code then press the "CLEAR" button.
- ▶ To operate relays together, set the same code for each relay.
- ▶ If a wrong code is entered, the system will lock out for 5 seconds which will increase each time a wrong code is entered. The system will operate only when the correct code is entered.

RE-PROGRAMMING GUIDE



- Notes:
- * If the red light does not illuminate, the engineer's code is incorrect. Follow instructions to return system to preset engineer's factory code.
 - ** On the first loop of the flow chart its relay 1, second loop is relay 2 and the third loop is relay 3.

Engineer's Code	
Relay 1 Code	
Relay 2 Code	
Relay 3 Code	
Relay 1 Time	
Relay 2 Time	
Relay 3 Time	



Free Manuals Download Website

<http://myh66.com>

<http://usermanuals.us>

<http://www.somanuals.com>

<http://www.4manuals.cc>

<http://www.manual-lib.com>

<http://www.404manual.com>

<http://www.luxmanual.com>

<http://aubethermostatmanual.com>

Golf course search by state

<http://golfingnear.com>

Email search by domain

<http://emailbydomain.com>

Auto manuals search

<http://auto.somanuals.com>

TV manuals search

<http://tv.somanuals.com>