

ViewSonic®

N2060w

LCD TV

- 使用手冊

- 使用手冊

- **User Guide**



ViewSonic®

Model No. : VS11287-1G

CONTENTS

Important Safety Instructions -----	1
Copyright Information -----	2
Antenna Installation Instructions-----	3
Cleaning the LCD TV -----	3
 CONNECT PERIPHERAL EQUIPMENT	
Front Panel Control Knobs -----	4
Preparation -----	5
 OPERATING INSTRUCTIONS	
Use of the remote control-----	6
remote control-----	7
Preparation -----	8
To use the menus -----	10
Main menu -----	10
Headphone -----	16
Tips -----	16
Appendix	
Specification-----	17
Troubleshooting	
Customer Support -----	20
Limited Warranty-----	21

Important Safety Instructions

1. Read these instructions completely before using the equipment.
2. Keep these instructions in a safe place.
3. Heed all warnings.
4. Follow all instructions.
5. Do not use this equipment near water. **Warning:** To reduce the risk of fire or electric shock, do not expose this apparatus to rain or moisture.
6. Clean with a soft, dry cloth. If further cleaning is required, see “Cleaning the LCD TV” in this guide for further instructions.
7. Do not block any ventilation openings. Install the equipment in accordance with the manufacturer’s instructions.
8. Do not install near any heat sources such as radiators, heat registers, stoves, or other devices (including amplifiers) that produce heat.
9. Do not attempt to circumvent the safety provisions of the polarized or grounding-type plug. A polarized plug has two blades with one wider than the other. A grounding type plug has two blades and a third grounding prong. The wide blade and the third prong are provided for your safety. If the plug does not fit into your outlet, consult an electrician for replacement of the outlet.
10. Protect the power cord from being tread upon or pinched, particularly at the plug, and the point where it emerges from the equipment. Be sure that the power outlet is located near the equipment so that it is easily accessible.
11. Only use attachments/accessories specified by the manufacturer.
12. Use only with a cart, stand, tripod, bracket, or table specified by the manufacturer, or sold with the apparatus. When a cart is used, use caution when moving the cart/apparatus combination to avoid injury from tip-over.
13. Unplug this equipment when it will be unused for long periods of time.
14. Refer all servicing to qualified service personnel. Service is required when the unit has been damaged in any way, such as: if the power-supply cord or plug is damaged, if liquid is spilled onto or objects fall into the unit, if the unit is exposed to rain or moisture, or if the unit does not operate normally or has been dropped.

Copyright Information

Copyright © ViewSonic® Corporation, 2006. All rights reserved.

ViewSonic, the three birds logo, OnView, ViewMatch, and ViewMeter are registered trademarks of ViewSonic Corporation.

Disclaimer: ViewSonic Corporation shall not be liable for technical or editorial errors or omissions contained herein; nor for incidental or consequential damages resulting from furnishing this material, or the performance or use of this product.

In the interest of continuing product improvement, ViewSonic Corporation reserves the right to change product specifications without notice. Information in this document may change without notice.

No part of this document may be copied, reproduced, or transmitted by any means, for any purpose without prior written permission from ViewSonic Corporation.

Product Registration

To meet your future needs, and to receive any additional product information as it becomes available, please register your product on the Internet at: www.viewsonic.com.

For Your Records

Product Name:	N2060w ViewSonic LCD TV
Model Number:	VS11287-1G
Document Number:	N2060w-1G_UG_ENG Rev. 1A 03-02-06
Serial Number:	_____
Purchase Date:	_____

Product disposal at end of product life

ViewSonic is concerned about the preservation of our environment. Please dispose of this product properly at the end of its useful life. Your local waste disposal company may provide information about proper disposal.

The lamp in this product contains mercury. Please dispose of properly in accordance with environmental laws of your location.

Antenna Installation Instructions

1. Outdoor Antenna Grounding

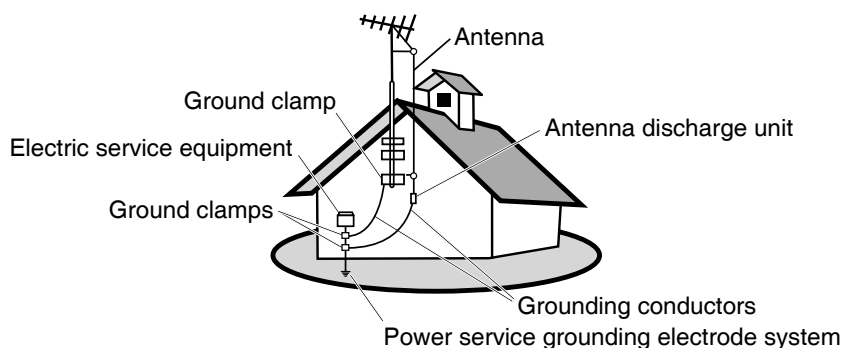
If an outside antenna or cable system is connected to the product be sure the antenna or cable system is grounded so as to provide some protection against voltage surges and built-up static charges, Article 810 of the National Electrical Code, ANSI/NFPA 70, provides information with regard to proper grounding of the mast and supporting structure, grounding of the lead-in wire to an antenna discharge unit, connection to grounding electrodes, and requirements for the grounding electrode.

2. Lightning

For added protection for this product during a lightning storm, or when it is left unattended and unused for long periods of time, unplug it from the wall outlet and disconnect the antenna or cable system. This will prevent damage to the product due to lightning and power-line surges. Do not disconnect the antenna or the power cord during a heavy storm lightning may strike while you are holding the cable cord, causing serious injury; turn off your LCD TV and wait for the weather to improve.

3. Power Lines

An outside antenna system should not be located in the vicinity of overhead power lines or other electric light or power circuits, or where it can fall into such power lines or circuits, When installing an outside antenna system, extreme care should be taken to keep from touching such power lines or circuits as contact with them might be fatal.



Cleaning the LCD TV

- Make sure the LCD TV is turned off.
- Never spray or pour any liquid directly onto the screen or case.

To clean the screen:

1. Wipe the screen with a clean, soft, lint-free cloth. This removes dust and other particles.
2. If still not clean, apply a small amount of non-ammonia, non-alcohol based glass cleaner onto a clean, soft, lint-free cloth, and wipe the screen.

To clean the case:

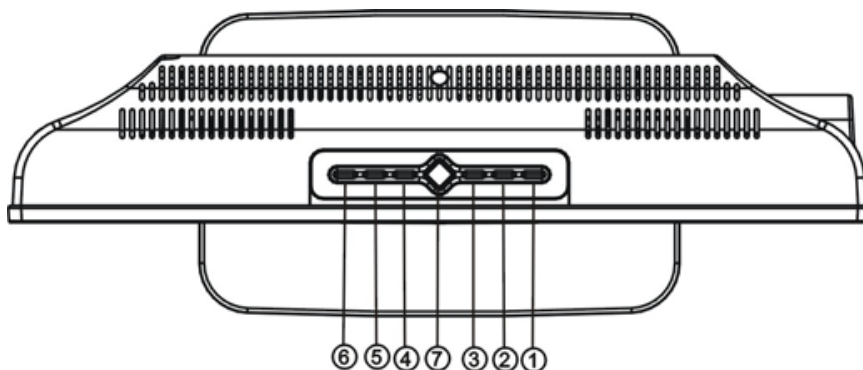
1. Use a soft, dry cloth.
2. If still not clean, apply a small amount of a non-ammonia, non-alcohol based, mild non-abrasive detergent onto a clean, soft, lint-free cloth, then wipe the surface.

Disclaimer

ViewSonic® does not recommend the use of any ammonia or alcohol-based cleaners on the LCD TV screen or case. Some chemical cleaners have been reported to damage the screen and/or case of the LCD TV. ViewSonic will not be liable for damage resulting from use of any ammonia or alcohol-based cleaners.

CONNECT PERIPHERAL EQUIPMENT

FRONT PANEL CONTROL KNOBS



Source(信号源)①: Press to select your input source.

Volume (音量) ②③: Press to confirm your function selection (when the OSD main menu displayed) or adjust volume (without OSD main menu)

Channel (频道) ④⑤: Select the intended function by pressing the two keys (when the OSD main menu displayed), or switch the channels in the TV mode (without OSD main menu)

Menu(菜单)⑥: Press to show the OSD menu and exit OSD menu at the TV mode.

Power (电源) ⑦: Press to turn on or off the TV.

Power Lock

Press Source for 10 seconds can lock the function of Power button

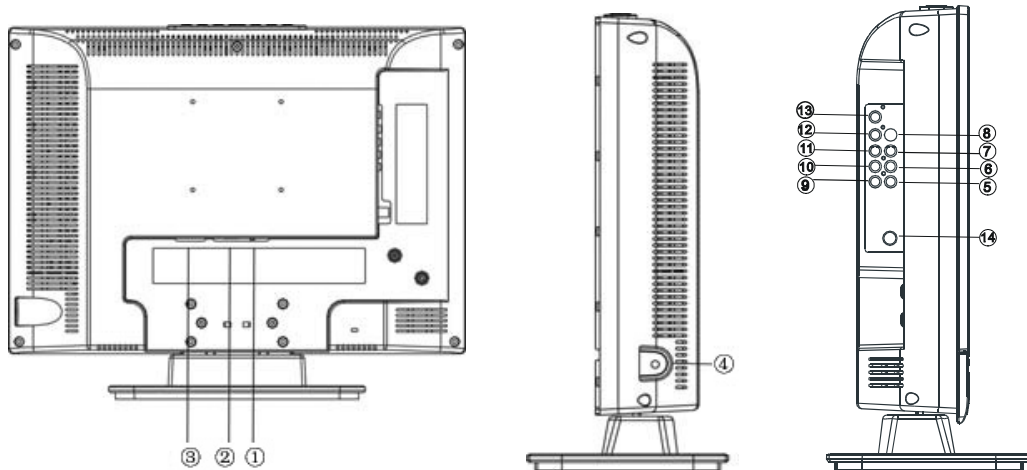
OSD Lock

Press Menu for 10 seconds can lock the function of Menu button

There is a wide range of video and audio equipment that can be connected to your TV. The following connection diagrams show you how to connect them.

PREPARATION

Lay the LCD TV with the screen down on a table, as it will be easier to connect your peripheral equipment. Please take precaution on page 8 not to damage the screen.



1. VGA audio input
2. VGA input
3. AC power input terminal
4. Headphone outlet
5. AV signal input
6. Left audio track input (AV/S-Video)
7. Right audio track input (AV/S-Video)
8. S-Video signal input
- 9~11. YPbPr Component signal input
12. YPbPr left audio track input
13. YPbPr right audio track input
14. TV signal input

OPERATING INSTRUCTIONS

USE OF THE REMOTE CONTROL

POWER (电源)

Press to turn on/off the TV. The TV is never completely powered off unless it is physically unplugged.

Channel (频道)

Press \wedge or \vee to browse through the TV channels.

Volume (音量)

Press + or - to adjust the volume.

0~9/100 Digit buttons

To select a TV channel.

Sound switch

(声音切换)

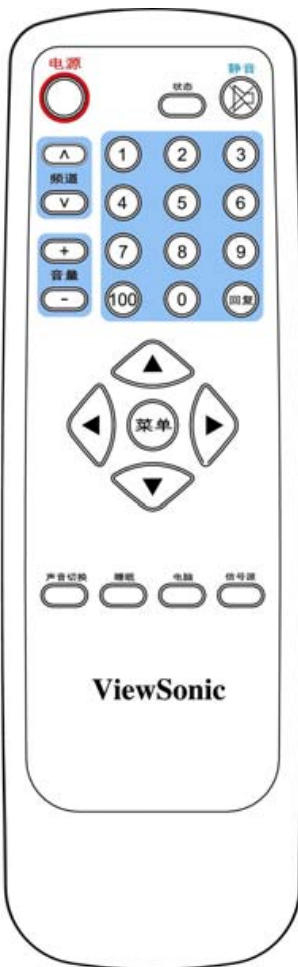
Could choose single track, stereo, language I or language II in TV mode

Sleep(睡眠)

With this key you can set a time period after which the TV should switch itself to standby. Press the key repeatedly to select the number of minutes. The counter runs 5~120 minutes. Timing controller start to count down after the menu disappeared

Notes on the Remote Control

- Direct light may affect the remote controls effective range.
- Avoid subjecting the remote control to shocks or vibrations.
- Avoid placing the remote control in humid and hot environments such as direct sunlight.
- Remove the batteries when not using the remote control for long periods.



Mute(静音)

Temporarily interrupt the sound or restore it.

Status(状态)

- (1) Display the channel number when input TV RF
- (2) Display input source when input the other sources.

Return(回复)

To display the previously selected TV channel.

Menu(菜单)

Press repeatedly to display OSD menu.

Source(信号源)

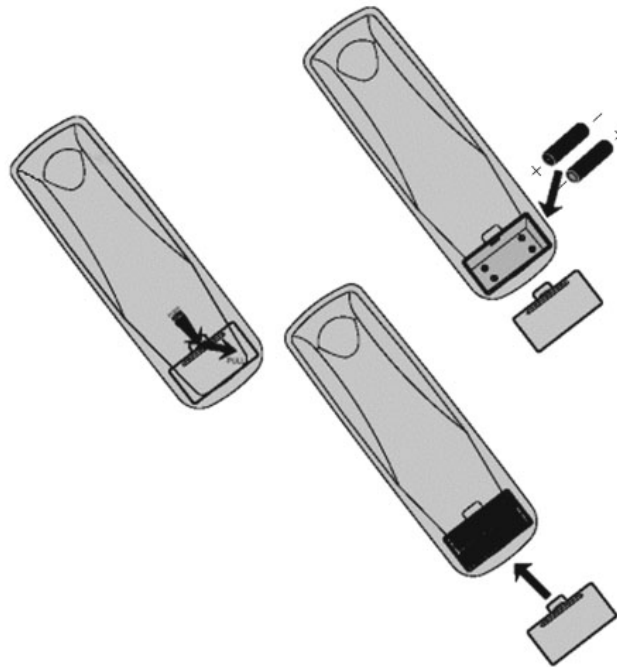
Select your input source: press repeatedly to select TV, Video AV, S-VIDEO, YPbPr or PC

PC(电脑)

Press this button to turn PC mode

3. **Remote control:**

Remove the cover of the battery compartment. Insert the 2 batteries supplied (Type AAA 1.5V).



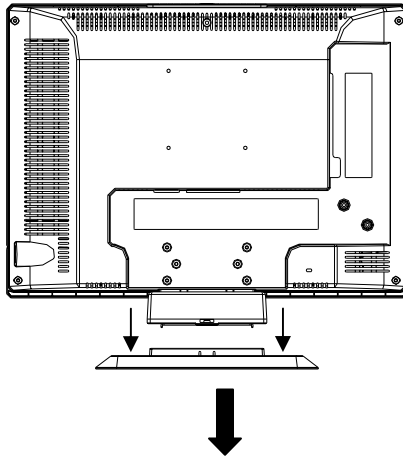
CAUTION

- Only use the specified AAA batteries.
- Do not mix new and old batteries. This may result in cracking or leakage, which may pose a fire risk or lead to personal injury.
- Insert batteries according to the (+) and (-) markings. Inserting the batteries incorrectly may result in cracking or leakage, which may pose a fire risk or lead to personal injury.
- Dispose of batteries in accordance with local laws and regulations.
- Keep batteries away from children and pets.
- If the remote control will not be used for an extended period of time, remove the batteries.

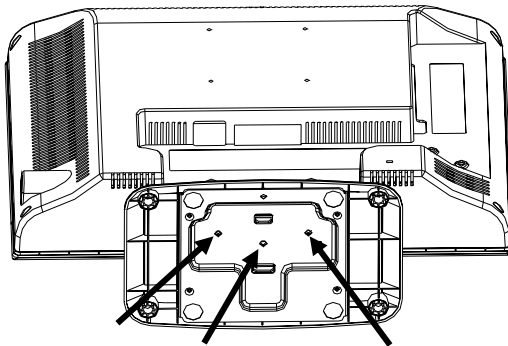
PREPARATION

1. Assembly

Take out TV and base from carton, assembled by three pieces screws, which you could find from the accessory box. Shown in the figures below:

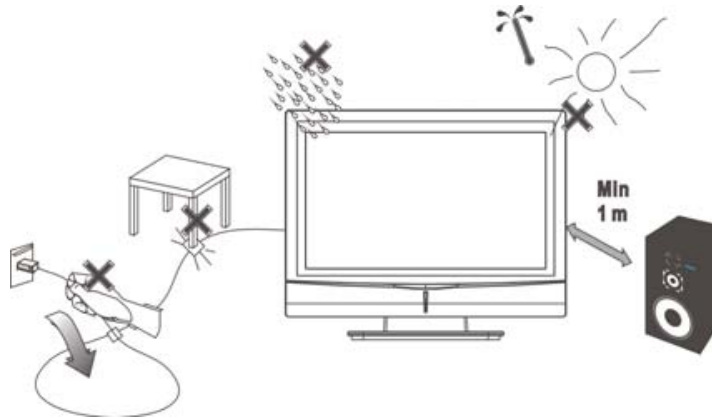


Place the base on a solid surface



Note: Lock the screw middle first, then the others, to avoid holes aiming incorrectly

2. Place the TV on a solid surface.

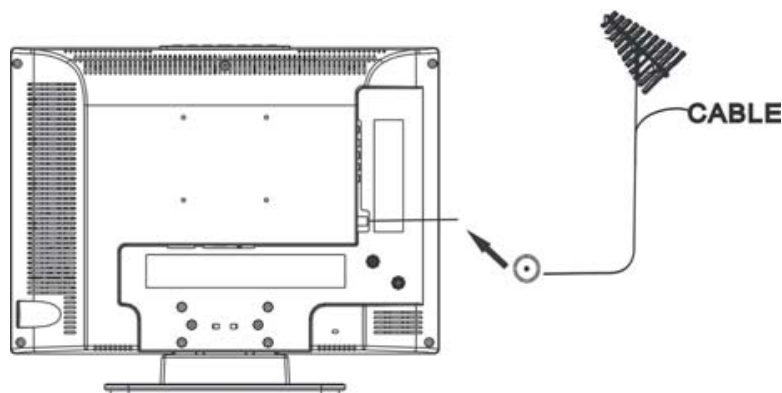


Ensure that the TV is placed in a position to allow free flow of air. Do not cover the ventilation openings on the back cover.

To prevent any unsafe situations, no naked flame sources, such as lighted candles, should be placed on or in the vicinity.

Avoid heat, direct sunlight and exposure to rain or water. The equipment shall not be exposed to dripping or splashing.

3. Insert the aerial plug firmly into the aerial socket at the back of the TV.



4. Power:

Insert the power cord in the wall socket having an AC power supply.

5. Turn the TV on:

You could turn on or off TV by the power key on the peak of TV, or by the power key on remote control.

The indicator light in the front of TV is dark when the TV is 'OFF'.

The indicator light in the front of TV is blue when the TV is 'ON'.

TO USE THE MENUS

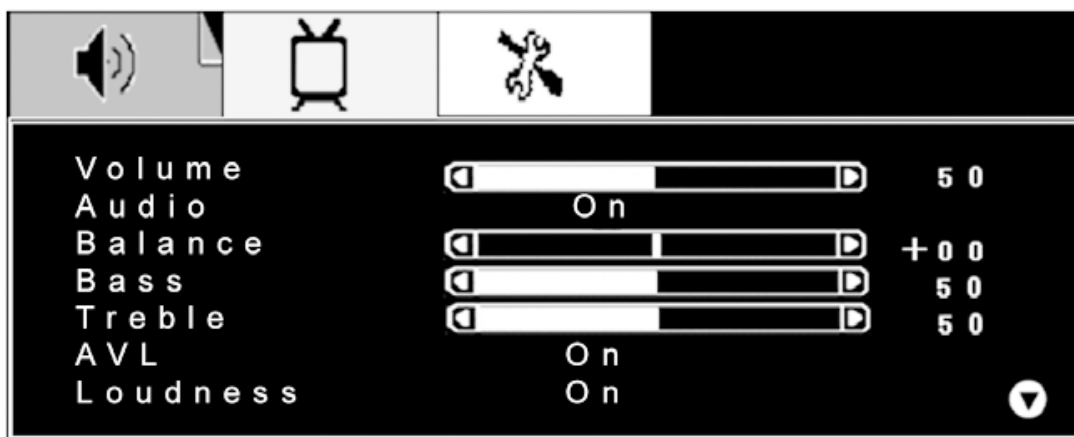
1. Press the MENU button to display or close main menu.
2. Use the cursor up/down to select a menu item.
3. Use the cursor left/right to enter a submenu or enable/disable the function.
4. Press the **MENU** button to exit the menu.

MAIN MENU

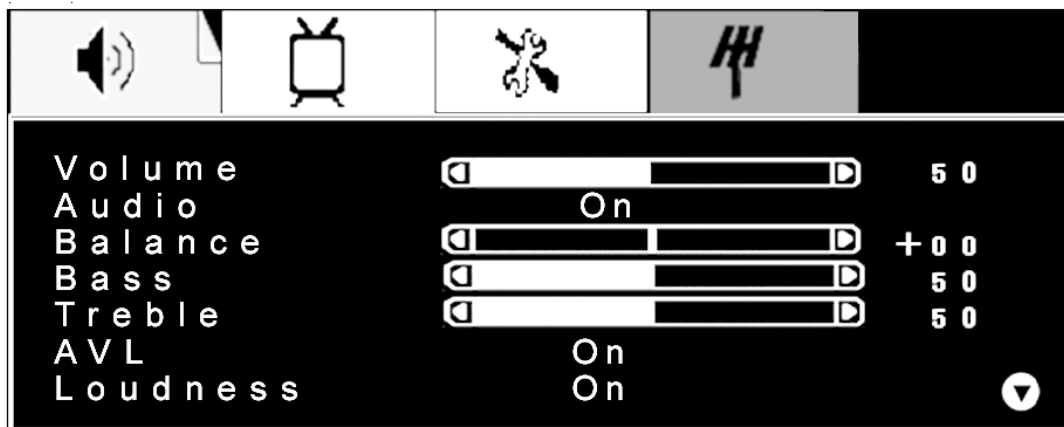
Press the **MENU** button to enter the main OSD (On Screen Display).

Adjust items including Sound Setup, Picture Setup, Function Setup and TV setup.

When the input source is PC, YPbPr, AV or S-VIDEO mode, only the Sound Setup, Picture Setup and Function Setup can be selected; shown in the figure below:



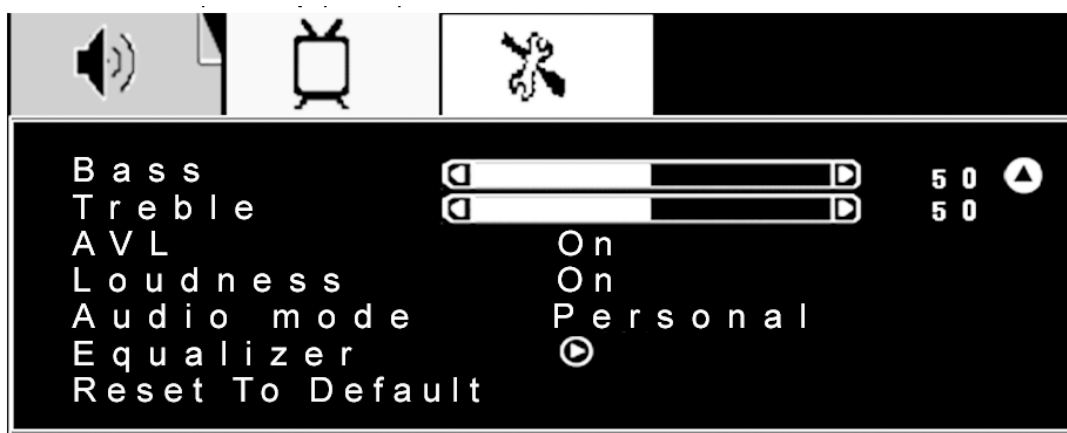
When the input source is TV mode, the Sound Setup, Picture Setup, Function Setup and TV setup can be selected, shown in the figure below:



Sound Setup (Same for all modes)

1. The range of adjusting volume, bass and treble is from 0~100.
2. Select "ON" or "OFF" in Audio selection to control the sound output.
3. The range of adjusting Balance is -50~+50; when adjusting from 0 to -50, the sound from the right track fades until silence; when adjusting from 0 to +50, the sound from the left track fades until silence.
4. AVL: you can set it "ON" or "OFF".
The function is to adjust the input sound automatically. You may enable this function when you notice that the sound in the two tracks are very different, in order to prevent the bad sound effect result from large sound variation.
5. Select "ON" or "OFF" for Loudness: a default setting is preset, you may adjust when necessary.

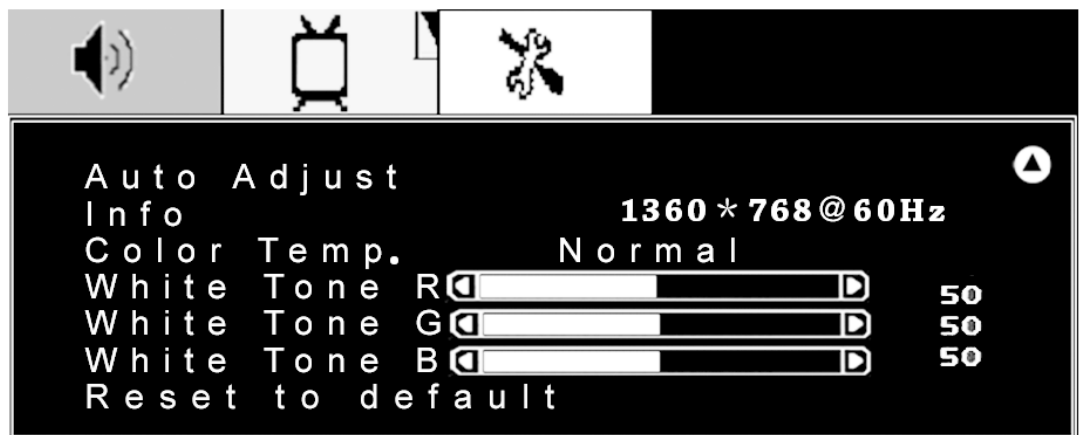
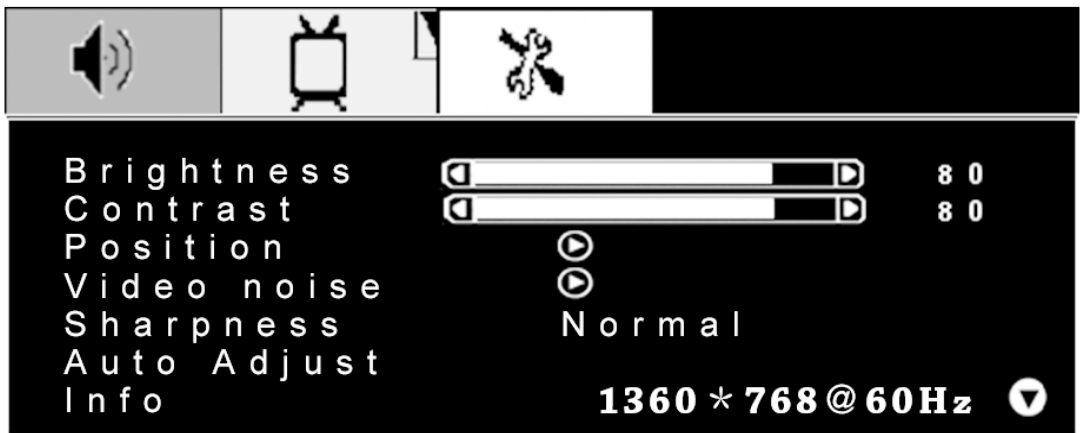
The following menu will appear when selecting continuously:



6. Audio mode: Designed for the different types of sound output, wherein, the dialogue, music and theater modes are preset; you can set Bass, Treble and Equalizer in sound output mode according to your preference.
7. Equalizer: You can select and adjust the 100, 300, 1K, 3K and 8K respectively (the figures represent the sound frequency range).
8. Reset To Default: Reset the sound setting to the factory default value.

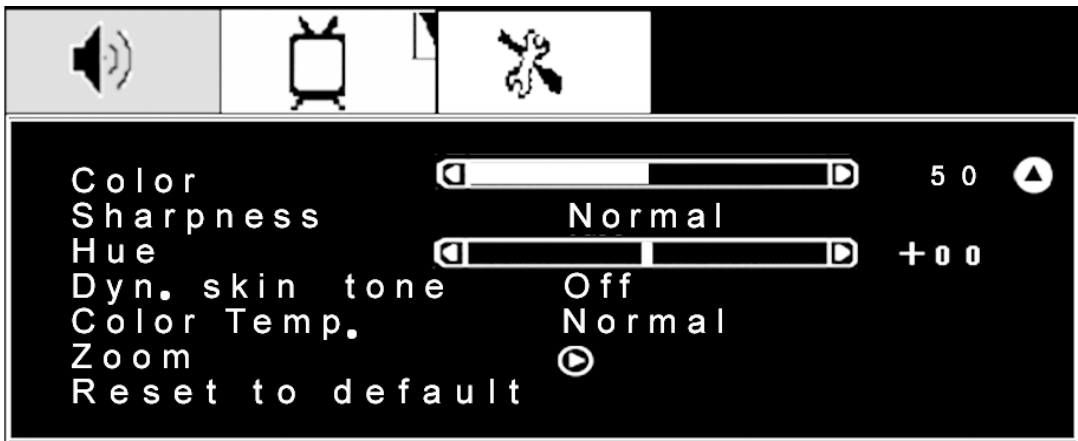
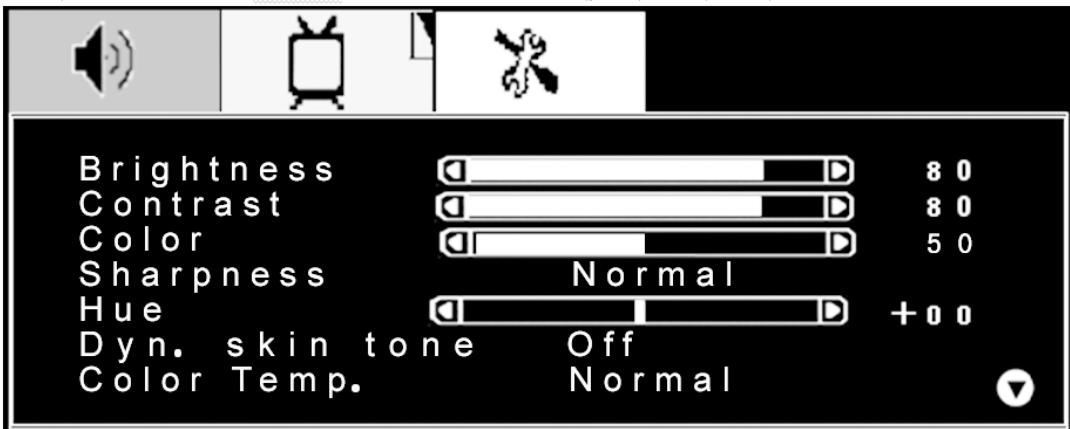
Picture Setup

When the input source is in PC mode, shown in the figure below:



1. Brightness and Contrast: The range can be adjusted from 0~100.
2. Position: There are two options, Horizontal and Vertical, which can be adjusted from -50 to +50.
3. Video noise: There are two options, Phase and Clock, which can be adjusted from -50 to +50.
4. Sharpness: Select from six options Softest, Soft, Normal, Sharp, Sharpest and Auto. You may adjust the above options according to your preference.
5. Auto Adjust: Auto-sizing function for VGA input..
6. Info: Prompt the current PC input resolution
7. Color Temp.: There are four options of color temperature provided for users - Cold, Normal, Warm and Personal. You can select the three color temperatures of Cold, normal and warm, or manually adjust manually red, green or blue in the personal setting (you can only adjust red, green and blue in the personal setting).
8. Reset to default: It is used to reset the picture settings to the factory default mode.

When the input source is TV, YPbPr, AV or S-VIDEO mode, shown in the figure below:



1. Brightness and Contrast: The range can be adjusted from 0~100; use Brightness and Contrast options to adjust the brightness of picture.
2. Color: The range can be adjusted from 0~100; use this option to adjust the color saturation of picture.
3. Sharpness: Select from six options: Softest, Soft, Auto, Sharp, sharpest and Auto. You can adjust the sharpness of picture using any option above.
4. Hue: The range can be adjusted from -50~+50; use this option to adjust the color of picture.
5. Dyn. Skin tone: When the Dynamic skin tone is ON, the skin tone of person in the picture becomes more vivid.
6. Color Temp.: There are three options of color temperature provided for users - warm, normal and cold.
7. Zoom: There are three options --4: 3, fullscreen and widescreen provided for zoom in/zoom out.
8. Reset to default: It is used to reset the picture settings to the factory default mode.

Function Setup, shown in the figure below:



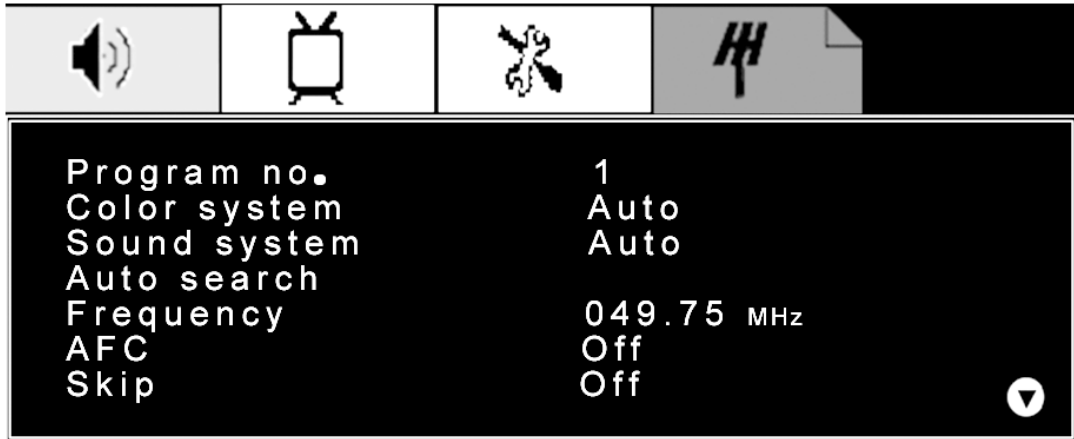
1. OSD time out: could set OSD display time from 10 seconds to 60
2. Language: could set OSD language to English, simplified Chinese or traditional Chinese
3. Sleep timer: set the time after which the product will enter standby status automatically
4. Reset to default: It is used to reset the OSD settings.



1. Sleep timer: Start to count down after the sleep timer set, could choose from 5 min. to 120 min. Count down shown on the screen when only one minute left before enter standby
2. Reminder timer: Could not be set by personal, to show the time after which the product will enter standby

TV setup

The following menu appears only in the TV mode.



1. Program no. : Shows the current channel number
2. Color system: shows the current picture input system (shows auto after auto search)
3. Sound system: shows the current sound input system (shows auto after auto search)
4. Auto search: Used to auto search and storage program
5. Frequency: Shows the frequency of current channel. Could adjust frequency slightly by the right and left button to get the result what you want
- 6 . AFC can be set to ON or OFF. When it is set to ON, the TV will search the TV signal automatically; when there is any offset in the signal, it will automatically adjust the channel to the correct position.
7. Skip can be set to ON or OFF. When it is set to ON, pressing the up key on the remote control or on the front panel can skip a channel.
8. Reset to default: Reset to the factory default value.

HEADPHONE

1. The headphone jack is located at the right side of the TV.
2. The MUTE key on the remote control works on both internal speaker and the headphone.
3. Use volume key to adjust the volume.

TIPS

Care of the screen

Do not rub or strike the screen with anything hard as this may scratch, mar, or damage the screen permanently.

Unplug the power socket before cleaning the screen. Dust the TV by wiping the screen and the cabinet with a soft, clean cloth. If the screen requires additional cleaning, use a clean, damp cloth. Do not use liquid cleaners or aerosol cleaners.

Mobile telephone warning

To avoid disturbances in picture and sound, malfunctioning of your TV or even damage to the TV, keep away your mobile telephone from the TV.

End of life directives

We are paying a lot of attention to produce environmentally friendly in green focal areas. Your new receiver contains materials, which can be recycled and reused.

At the end of its life specialized companies can dismantle the discarded receiver to concentrate the reusable materials and to minimize the amount of materials to be disposed of.

Please ensure you dispose of your old receiver according to local regulations.

Appendix

Specifications

Panel	Type	20" TFT-LCD Active Matrix wide-XGA, 1360x 768
	Color	Anti-glare coating
Viewing angles		160° H/ 160° V
Input signal	Video	Fh: 32-48KHz, Fv: 50-60Hz VGA input*1 TV system antenna Composite Video input*1 S-Video*1 Component video*1 (YPbPr / YCbCr)
	Audio	Audio input*1 RCA*1 for AV and S-Video RCA*1 for YPbPr / YCbCr
Compatibility	PC	Up to 1360x768 Non-interlaced
Resolution	Supported	640x480 @60Hz 800x600 @56Hz 800x600 @60Hz 1024x768@60Hz 1280x768@60Hz 1280x720@60Hz 1280x1024@60Hz 1360x768@60Hz
Speaker output		3W+3W
Power	Voltage	100-240VAC, 50/60Hz
Operating conditions	Temperature	5°C to 35°C
	Humidity	10% to 85%(no condensation)

Storage conditions	Temperature	-25°C to 60°C
	Humidity	10% to 85%(no condensation)
Dimension	Physical	521.84mm(W) x 419.52mm(H) x 180.83mm(D) 20.55"(W) x 16.52"(H) x 7.12"(D)
	Package	595mm(W) x 512mm(H) x 226mm(D) 23.4"(W) x 20.2"(H) x 8.9"(D)
Weight	Net	6.9Kg (15.2 lb.)
	Gross	9 Kg (19.9 lb.)
Regulation		CB, CCC
Power saving modes	On	<90 W (Blue LED)
	Active off	<3 W

Preset timing modes (Pre-adjusted to VESA 1360x768 at 60Hz)

Warning: Do not set the graphics card in your computer to exceed these refresh rates. Doing so may result in permanent damage to the LCD.

Note: Product specifications are subject to change without notice.

Troubleshooting

No power

- Make sure the LCD TV is properly connected.
- Make sure the AC power cord is properly connected.
- Make sure the AC power is ON, DC power button is ON (Green LED).
- Plug another electrical device (like a radio) to the power outlet to verify that the outlet is supplying the proper voltage.

Poor or no picture

- The TV station may be experiencing problems. Try another channel.
- The Cable TV signal may be scrambled or encoded. Please contact your local cable operator.
- Make sure that connection to other components are correct.
- Make sure that setup has been done correctly after connections.
- Make sure the correct input is selected and the input signal is compatible.

Strange color, light color, or color misalignment

- Ensure that the video cable is securely connected.
- The picture may appear dim in a brightly lit room.
- Adjust brightness and contrast.
- Check the input signal setting.

No sound

- Check your audio connections
- The MUTE button may have been pressed, try pressing this button again.
- Check your audio settings, your TV audio may be set to minimum.
- Press the Volume + (Up) button on the remote control.

Remote control unit does not operate

- Make sure batteries are inserted correctly.
- Batteries could be weak or dead. Replace batteries.
- Is a fluorescent light illuminated near the remote control sensor?
- The path of the remote control beam may be blocked. Make sure the path is clear and that the remote control is aimed at the remote control sensor on the TV.
- Press only one button at a time and it is the correct one for the operation you want to perform.

Unit cannot be operated

- External influences such as lightning or static electricity may cause improper operation. In this case, operate the unit after first turning on the power of the LCD TV and the AVC System, or unplug the AC cord for 1 to 2 minutes, then replug again.

Power is cut off suddenly

- Is the sleep timer set?
- The internal temperature of the unit has increased. Remove any objects blocking the vent or clean as necessary.

No CATV reception (or no reception above CH13)

- Is the AIR/CABLE option set correctly? Please set the AIR/CABLE option to CABLE.
- CATV is connected improperly or not connected; please check all the CATV connections.
- The cable TV service is interrupted; please contact your cable operator.

Picture is cut off/with sidebar screen

- Is the image positioned correctly?
- Are screen mode adjustments such as picture size set correctly?

Customer Support

For technical support or product service, see the table below or contact your reseller.

Note: You will need the product serial number.

Country/ Region	Web Site	Telephone	Email
China	www.viewsonic.com.cn	800 820 3870	service.cn@cn.viewsonic.com

Limited Warranty

VIEWSONIC® LCD TV

What the warranty covers:

ViewSonic warrants its products to be free from defects in material and workmanship, under normal use, during the warranty period. If a product proves to be defective in material or workmanship during the warranty period, **ViewSonic** will at its sole option repair or replace the product with a like product. Replacement product or parts may include remanufactured or refurbished parts or components.

How long the warranty is effective:

ViewSonic LCD TVs are warranted for one (1) year for all parts excluding the light source and one (1) year for labor from the date of the first customer purchase.

Who the warranty protects:

This warranty is valid only for the first consumer purchaser.

What the warranty does not cover:

1. Any product on which the serial number has been defaced, modified or removed.
2. Damage, deterioration or malfunction resulting from:
 - a. Accident, misuse, neglect, fire, water, lightning, or other acts of nature, unauthorized product modification, or failure to follow instructions supplied with the product.
 - b. Repair or attempted repair by anyone not authorized by ViewSonic.
 - c. Any damage of the product due to shipment.
 - d. Removal or installation of the product.
 - e. Causes external to the product, such as electric power fluctuations or failure.
 - f. Use of supplies or parts not meeting ViewSonic's specifications.
 - g. Normal wear and tear.
 - h. Any other cause which does not relate to a product defect.
3. Any product exhibiting a condition commonly known as "image burn-in" which results when a static image is displayed on the product for an extended period of time.
4. Removal, installation, and set-up service charges.

How to get service:

1. For information about receiving service under warranty, contact ViewSonic Customer Support at 800-888-8583. You will need to provide your product's serial number.
2. To obtain warranted service, you will be required to provide (a) the original dated sales slip, (b) your name, (c) your address, (d) a description of the problem, and (e) the serial number of the product.
3. Take or ship the product freight prepaid in the original container to an authorized ViewSonic service center or ViewSonic.
4. For additional information or the name of the nearest ViewSonic service center, contact ViewSonic.

Limitation of implied warranties:

There are no warranties, express or implied, which extend beyond the description contained herein including the implied warranty of merchantability and fitness for a particular purpose.

Exclusion of damages:

ViewSonic's liability is limited to the cost of repair or replacement of the product. ViewSonic shall not be liable for:

1. Damage to other property caused by any defects in the product, damages based upon inconvenience, loss of use of the product, loss of time, loss of profits, loss of business opportunity, loss of goodwill, interference with business relationships, or other commercial loss, even if advised of the possibility of such damages.
2. Any other damages, whether incidental, consequential or otherwise.
3. Any claim against the customer by any other party.

Effect of state law:

This warranty gives you specific legal rights, and you may also have other rights which vary from state to state. Some states do not allow limitations on implied warranties and/or do not allow the exclusion of incidental or consequential damages, so the above limitations and exclusions may not apply to you.

Sales outside the U.S.A. and Canada:

For warranty information and service on ViewSonic products sold outside of the U.S.A. and Canada, contact ViewSonic or your local ViewSonic dealer.

Warranty_LCDTV

4.3: ViewSonic LCD TV Warranty Rev. 1a

1 of 1

Release Date: 03-31-05



Free Manuals Download Website

<http://myh66.com>

<http://usermanuals.us>

<http://www.somanuals.com>

<http://www.4manuals.cc>

<http://www.manual-lib.com>

<http://www.404manual.com>

<http://www.luxmanual.com>

<http://aubethermostatmanual.com>

Golf course search by state

<http://golfingnear.com>

Email search by domain

<http://emailbydomain.com>

Auto manuals search

<http://auto.somanuals.com>

TV manuals search

<http://tv.somanuals.com>