

# ViewSonic®

**NX1940w/NX2240w  
LCD TV**

- **User Guide**
- **Guide de l'utilisateur**
- **Bedienungsanleitung**
- **Guía del usuario**
- **Руководство пользователя**
- **Guida dell'utente**
- **Käyttöopas**
- **Användarhandbok**
- **Brugervejledning**
- **Brukerveiledning**



**Model No. : VS11871-1E  
VS11873-1E**

# Contents

Compliance Information .....	1
Important Safety Instructions .....	2
Declaration of RoHS Compliance .....	3
Copyright Information .....	4
Product Registration .....	4
Antenna Installation Instructions .....	5
Cleaning the LCD TV .....	5

## Getting Started

Package Contents .....	6
Preparation .....	7
Remote Control .....	9
Teletext .....	10
Wall Mount Bracket .....	11
Control Knobs .....	12
Preparation .....	13

## OSD Function

To use the menus .....	16
Main Menu .....	16

## Appendix

Tips .....	21
Product Specification .....	22
Preset Timing Mode .....	24
Troubleshooting .....	26
Glossary .....	28
Customer Support .....	29
Limited Warranty .....	30

# Compliance Information

## CE Conformity for European Countries



The device complies with the requirements of the EEC directive 89/336/EEC as amended by 92/31/EEC and 93/68/EEC Art.5 with regard to “Electromagnetic compatibility”, and 73/23/EEC as amended by 93/68/EEC Art.13 with regard to “Safety.”


### Following information is only for EU-member states:

The mark shown to the right is in compliance with the Waste Electrical and Electronic Equipment Directive 2002/96/EC (WEEE).

The mark indicates the requirement NOT to dispose the equipment as unsorted municipal waste, but use the return and collection systems according to local law.



# Important Safety Instructions

1. Read these instructions completely before using the equipment.
2. Keep these instructions in a safe place.
3. Heed all warnings.
4. Follow all instructions.
5. Do not use this equipment near water. Warning: To reduce the risk of fire or electric shock, do not expose this apparatus to rain or moisture.
6. Clean with a soft, dry cloth. If further cleaning is required, see "Cleaning the LCD TV" in this guide for further instructions.
7. Do not block any ventilation openings. Install the equipment in accordance with the manufacturer's instructions.
8. Do not install near any heat sources such as radiators, heat registers, stoves, or other devices (including amplifiers) that produce heat.
9. Do not attempt to circumvent the safety provisions of the polarized or grounding-type plug. A polarized plug has two blades with one wider than the other. A grounding type plug has two blades and a third grounding prong. The wide blade and the third prong are provided for your safety. If the plug does not fit into your outlet, consult an electrician for replacement of the outlet.
10. Protect the power cord from being tread upon or pinched, particularly at the plug, and the point where it emerges from the equipment. Be sure that the power outlet is located near the equipment so that it is easily accessible.
11. Only use attachments/accessories specified by the manufacturer.
12.  Use only with a cart, stand, tripod, bracket, or table specified by the manufacturer, or sold with the apparatus. When a cart is used, use caution when moving the cart/apparatus combination to avoid injury from tip-over.
13. Unplug this equipment when it will be unused for long periods of time.
14. Refer all servicing to qualified service personnel. Service is required when the unit has been damaged in any way, such as: if the power-supply cord or plug is damaged, if liquid is spilled onto or objects fall into the unit, if the unit is exposed to rain or moisture, or if the unit does not operate normally or has been dropped.
15. This product is only to perform the useful function of entertainment and visual display tasks are excluded.
16. The socket-outlet shall be installed near the equipment and shall be easily accessible.
17. The equipment shall be used at maximum 40°C ambient temperature.
18. Protect equipment from humidity.
19. An approved power cord greater or equal to H05VV-F, 3G, 0.75mm<sup>2</sup> must be used.
20. The mains plug is used as the disconnecting device and shall remain readily operable.

## Declaration of RoHS Compliance

This product has been designed and manufactured in compliance with Directive 2002/95/EC of the European Parliament and the Council on restriction of the use of certain hazardous substances in electrical and electronic equipment (RoHS Directive) and is deemed to comply with the maximum concentration values issued by the European Technical Adaptation Committee (TAC) as shown below:

Substance	Proposed Maximum Concentration	Actual Concentration
Lead (Pb)	0.1%	< 0.1%
Mercury (Hg)	0.1%	< 0.1%
Cadmium (Cd)	0.01%	< 0.01%
Hexavalent Chromium (Cr <sup>6+</sup> )	0.1%	< 0.1%
Polybrominated biphenyls (PBB)	0.1%	< 0.1%
Polybrominated diphenyl ethers (PBDE)	0.1%	< 0.1%

Certain components of products as stated above are exempted under the Annex of the RoHS Directives as noted below:

Examples of exempted components are:

1. Mercury in compact fluorescent lamps not exceeding 5 mg per lamp and in other lamps not specifically mentioned in the Annex of RoHS Directive.
2. Lead in glass of cathode ray tubes, electronic components, fluorescent tubes, and electronic ceramic parts (e.g. piezoelectronic devices).
3. Lead in high temperature type solders (i.e. lead-based alloys containing 85% by weight or more lead).
4. Lead as an alloying element in steel containing up to 0.35% lead by weight, aluminium containing up to 0.4% lead by weight and as a copper alloy containing up to 4% lead by weight.

## Copyright Information

Copyright © ViewSonic® Corporation, 2007. All rights reserved.  
ViewSonic, the three birds logo, OnView, ViewMatch, and ViewMeter are registered trademarks of ViewSonic Corporation.

Disclaimer: ViewSonic Corporation shall not be liable for technical or editorial errors or omissions contained herein; nor for incidental or consequential damages resulting from furnishing this material, or the performance or use of this product.

In the interest of continuing product improvement, ViewSonic Corporation reserves the right to change product specifications without notice. Information in this document may change without notice.

No part of this document may be copied, reproduced, or transmitted by any means, for any purpose without prior written permission from ViewSonic Corporation.

## Product Registration

To meet your future needs, and to receive any additional product information as it becomes available, please register your product on the Internet at: [www.viewsonic.com](http://www.viewsonic.com).

### For Your Records

Product Name	NX1940w/NX2240w ViewSonic LCD TV
Model Number:	VS11871-1E /VS11873-1E
Document Number:	NX1940w_NX2240w_UG_ENG Rev.1B 10-11-07
Serial Number:	_____
Purchase Date:	_____

### Product disposal at end of product life

ViewSonic is concerned about the preservation of our environment. Please dispose of this product properly at the end of its useful life. Your local waste disposal company may provide information about proper disposal.

The lamp in this product contains mercury. Please dispose of properly in accordance with environmental laws of your location.

# Antenna Installation Instructions

## 1. Outdoor Antenna Grounding

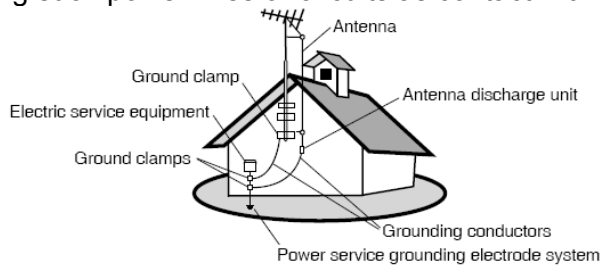
If an outside antenna or cable system is connected to the product be sure the antenna or cable system is grounded so as to provide some protection against voltage surges and built-up static charges, Article 810 of the National Electrical Code, ANSI/NFPA 70, provides information with regard to proper grounding of the mast and supporting structure, grounding of the lead-in wire to an antenna discharge unit, connection to grounding electrodes, and requirements for the grounding electrode.

## 2. Lightning

For added protection for this product during a lightning storm, or when it is left unattended and unused for long periods of time, unplug it from the wall outlet and disconnect the antenna or cable system. This will prevent damage to the product due to lightning and power-line surges. Do not disconnect the antenna or the power cord during a heavy storm lightning may strike while you are holding the cable cord, causing serious injury; turn off your LCD TV and wait for the weather to improve.

## 3. Power Lines

An outside antenna system should not be located in the vicinity of overhead power lines or other electric light or power circuits, or where it can fall into such power lines or circuits. When installing an outside antenna system, extreme care should be taken to keep from touching such power lines or circuits as contact with them might be fatal.



## Cleaning the LCD Display

- Make sure the LCD TV is turned off.
- Never spray or pour any Liquid directly onto the screen or case.

### To clean the screen:

1. Wipe the screen with a clean, soft, lint-free cloth. This removes dust and other particles.
2. If still not clean, apply a small amount of non-ammonia, non-alcohol based glass cleaner onto a clean, soft, lint-free cloth, and wipe the screen.

### To clean the case:

1. Use a soft, dry cloth.
2. If still not clean, apply a small amount of a non-ammonia, non-alcohol based, mild non-abrasive detergent onto a clean, soft, lint-free cloth, then wipe the surface.

### Disclaimer

ViewSonic® does not recommend the use of any ammonia or alcohol-based cleaners on the LCD TV screen or case. Some chemical cleaners have been reported to damage the screen and/or case of the LCD TV. ViewSonic will not be liable for damage resulting from use of any ammonia or alcohol-based cleaners.

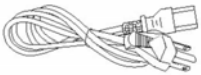
# Getting Started

Congratulations on your purchase of a ViewSonic LCD TV display.  
Important! Save the original box and all packaging material for future shipping needs.

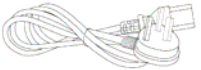
## Package Contents



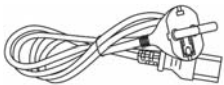
AV cable  
(For Asia use)



Power cord  
(For Asia use)



Power cord  
(For UK use)



Power cord  
(For Pan Europe use)



PC Audio to RL  
cable



VGA to  
Component  
cable



Remote  
Control



Batteries (AAA x 2)



QSG

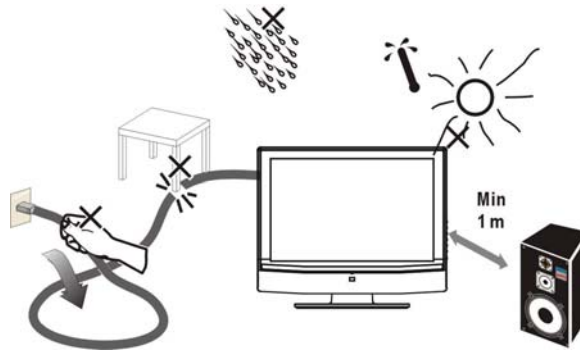


CD Wizard



# Preparation

## 1. Place the TV on a solid surface.

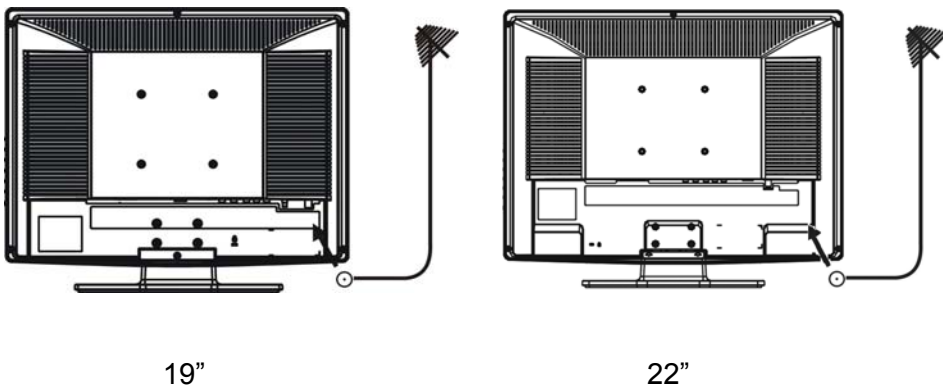


Ensure that the TV is placed in a position to allow free flow of air. Do not cover the ventilation openings on the back cover.

To prevent any unsafe situations, no naked flame sources, such as lighted candles, should be placed on or in the vicinity.

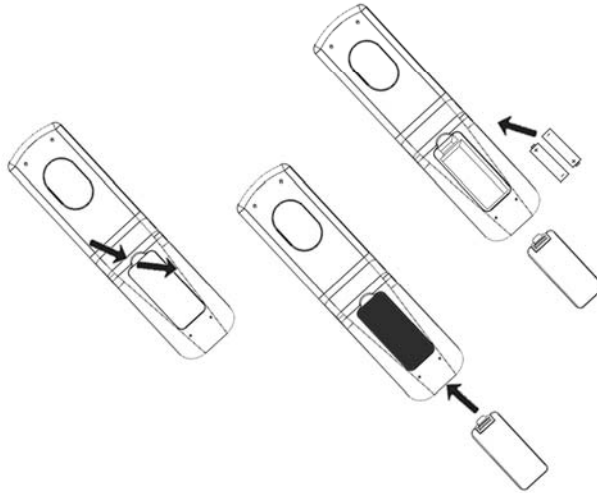
Avoid heat, direct sunlight and exposure to rain or water. The equipment shall not be exposed to dripping or splashing.

## 2. Insert the aerial plug firmly into the aerial socket **ANT IN 75Ω** at the back of the TV.



**3. Remote control:**

Remove the cover of the battery compartment. Insert the 2 batteries supplied (Type AAA 1.5V).



**4. Power:**

Insert the power cord in the wall socket having an AC power supply.

**5. Turn the TV on:**

Press the power button of the TV to turn it on. When the TV is ON, the indicator turns green.

*If the TV is in power off, the indicator in front of the TV illuminates amber.*

# Remote Control

## POWER:

Press to turn on/off the TV.  
The TV is never completely powered off unless it is physically unplugged.

## SOURCE

Press to select input signal source.

## 0~9 DIGIT buttons and -/100

Press to enter channel numbers.

## RECALL

To display the previously selected TV channel.

## TV/DTV

DTV is not available this mode.  
Press to select TV mode.

## SCART

Press to select SCART mode.

## HDMI/PC

Press to toggle between PC and HDMI source modes.

## AV/COMP

Press to toggle between AV, S-VIDEO and YPbPr source modes.

## DISPLAY

Press this key to display:  
(1) the channel number when watching a TV programme.  
(2) the input source when watching the other video programme.

## WIDE

Press to change size mode,  
Size is not available on PC and HDMI mode.

## PGM+/-

Press + or - buttons to scroll through the channels (or **MENU ▲ / ▼** button).

## VOL+/-

Press + or – to increase or decrease the volume (or **MENU ◀/▶** button).

## MENU

Press this key to display or exit main menu.

## MUTE

Temporarily interrupt the sound or restore it.

## NICAM

To select Mono/  
Stereo/Dual from TV RF input.

**POP, SWAP, Position, GUIDE** is not available on this model.



# Teletext

Teletext is an information service organized like a magazine, which is provided by some TV stations in addition to regular television broadcasting.



## TELETXT /GUIDE

Press **TELETXT**. The Teletext screen appears.  
To turn off the Teletext mode, press **TELETXT** again.

## ENTER

When TELETXT mode is open, Press **ENTER** to superimpose the teletext over a normal broadcast picture. Press again to return to Teletext mode.

## INDEX

Press **INDEX** to return to the main index page.

## SUBPAGE

this is subpage function.

## REVEAL

Press **REVEAL** to display hidden words e.g. quiz page answers. Press again to hide.

## RED / GREEN / YELLOW / BLUE

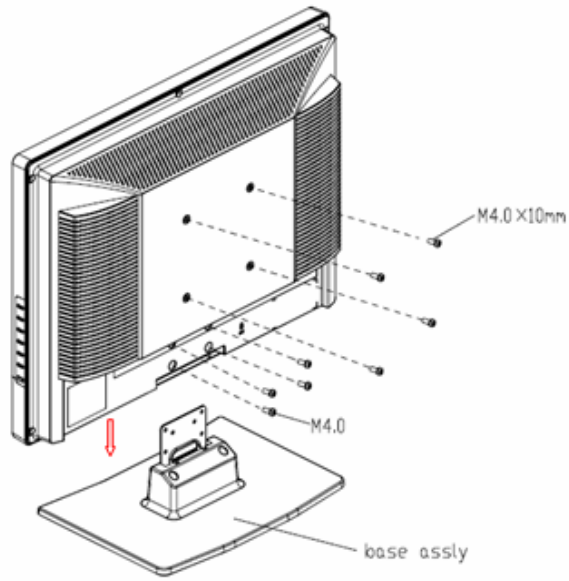
Use the **COLOURED BUTTONS** to operate the Teletext screen.

## PAGE SELECTION

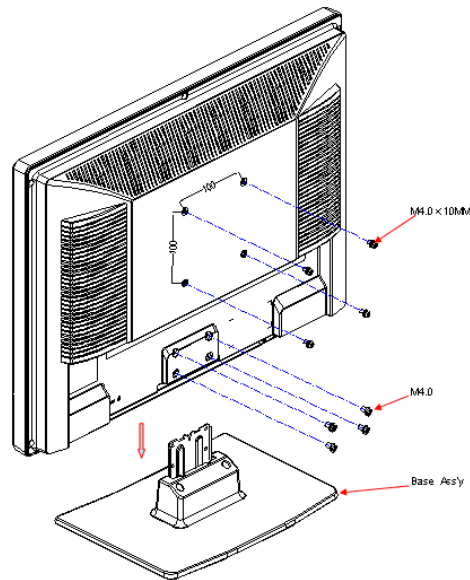
Page can be selected in two ways.

- Press ▼ or ▲ to increase or decrease the page number.
- Input the page number by digit buttons 0~9.

# Wall Mount Bracket



(19")



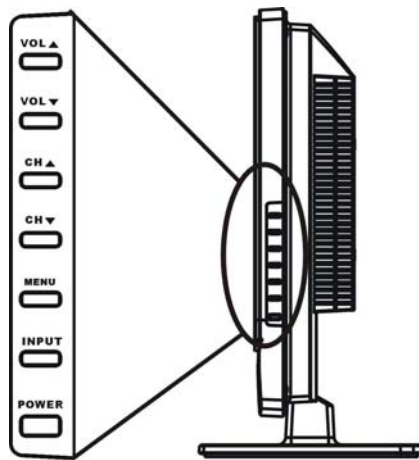
(22")

1. Remove the four units M4.0 screws.
2. Remove the Base Ass'y.

3. Fasten four units M4.0 X 10mm screws to secure the wall mount bracket.

Note: If you want to wall mount the TV, for the safety of you and the appliance, please use the correct hanging brackets. (Wall mounting brackets are not included when you purchase the TV)

## Control Knobs



**Vol(▲ ▼):**When the OSD menu appears, press these two buttons to confirm the selected item; when no OSD menu appears, use to adjust the volume.

**CH(▲ ▼):** When the OSD menu appears, press these two buttons to select the item you want to execute; when no OSD menu appears, use to change channels in TV mode.

**Menu** : Press this button to display or exit the OSD menu.

**Input** : Press this button to change input source.

**Power** : Press this button to turn on the TV or allow the TV to enter standby mode.

If the TV is in standby mode, the indicator at the front will illuminate amber.

### Power lock or unlock

Press **INPUT** button more than 5 seconds can lock or unlock the function of POWER button.

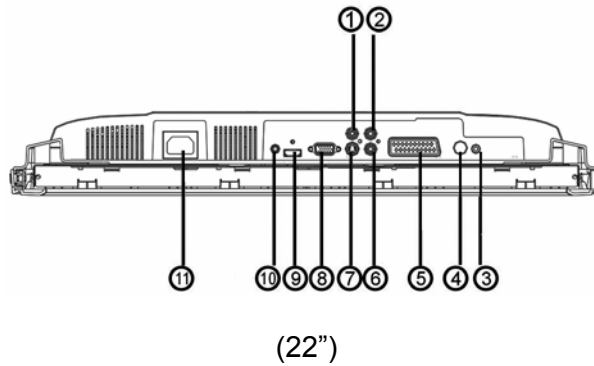
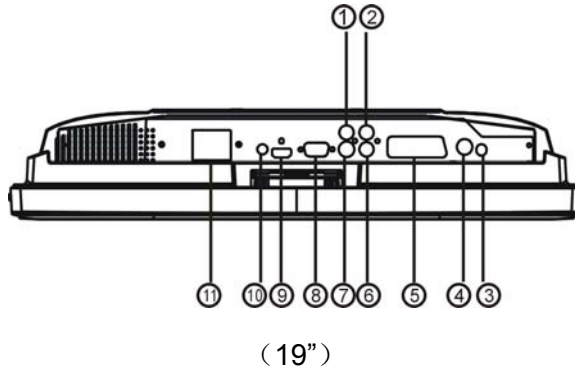
### OSD lock or unlock

Press **MENU** button more than 5 seconds can lock or unlock the function of MENU button.

There is a wide range of video and audio equipment that can be connected to your TV. The following connection diagrams show you how to connect them.

# Preparation

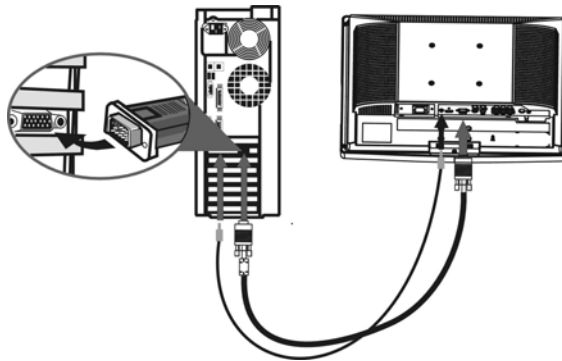
Lay the LCD TV with the screen down on a table, as it will be easier to connect your peripheral equipment. Please take your precautions not to damage the screen.



- 1: AV1 signal input
- 2: Right audio track input
- 3: Headphone outlet
- 4: TV signal input
- 5: SCART signal input
- 6: Left audio track input
- 7: S-Video signal input
- 8: VGA input or YPbPr signal input
- 9: HDMI input
- 10: VGA audio input or YPbPr audio input
- 11: AC power input terminal

1> PC input:

**Note:** For the connection between the PC and the TV, (see Figure 1) below.



(Figure 1)

**(1)How to connect to the PC mainframe:**

VGA interface – Connect the **VGA** signal cable supplied with the TV to the D-sub interface at the rear of the TV as in. (Figure 1)

**(2)How to connect the audio cable:**

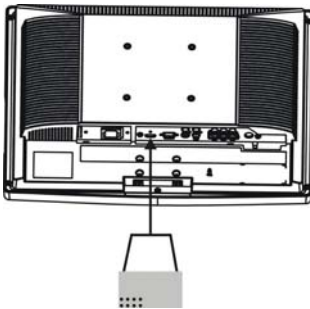
Connect the PC audio cable supplied with the TV to the TV's PC Audio Input as in. (Figure 1)

**Note:** If no signal is present on the VGA screen, the TV will enter into standby mode automatically after 3 seconds.

2> HDMI input:

HDMI is the leading new standard for Digital video and audio interconnection. To the HDMI connector you can connect HDMI devices such as a Set Top Box or compatible DVD-R or DVD player with HDMI export, or DVI-equipped devices like a computer. So you can display high-definition pictures on this TV in the digital form.

**(1) How to use HDMI:**



1. Connect one HDMI to the “HDMI” port and connect the other HDMI to device with HDMI export as left figure.

Select the T-Line button, change source button can come into HDMI source.

3. The HDMI connectors allow the following TV and monitor display mod:

SDTV 720x576i, 50Hz /720x480i, 60Hz

EDTV 720x576p 50Hz /640x480p 60Hz

HDTV 1920x1080i 50/60Hz

1280x720p 50/60Hz

VGA 720x480 60Hz

**Notes:**

1. Your TV supports HDCP (High-bandwidth Digital Content Protection). This is a system for protecting DVD content outputted via DVI from being copied. It provides a secure digital link between a video source (DVD, PC, etc.) and your TV. Content is encrypted at the source device to prevent unauthorized copies from being made.

2. Digital devices from different manufacturers have the possibility of different output

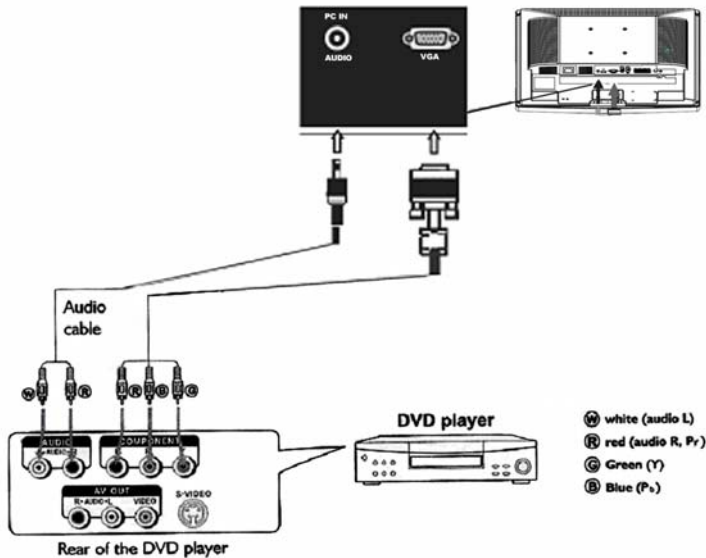


standards which may cause difficulties for the television to properly display.

3. In case no signal is detected from your HDMI device, turn off the HDMI device and then on again.
4. To get an optimal viewing, it is advised to turn your DVD player to one of the following TV display standards: 1280x720p 50Hz.

3> S-Video Input: Connect the S-Video cable to DVD player, Laser Disc player, video cassette recorder or camcorder.

4> YPbPr input:



### How to connect a DVD Player or Home Cinema System using Compont Video Connections:

Connect the Video cable between the D-Sub interface on the unit and Y, Pb, Pr output jacks on the DVD player.

Connect the Audio cable between the Audio input socket on the unit and Audio output jacks on the DVD player.

#### Notes:

The Y, Pb, Pr output on your DVD palyer are sometime labeled Y, Cb, Cr or Y, B-Y, R-Y. If so, connect cables to like colors.

5> Audio Input: Connect the audio signal source. (PC, DVD player, Laser Disc player, video cassette recorder or camcorder) to the Audio Input ports.

6> Video Input: Connect the video signal source. (PC, DVD player, Laser Disc player, videocassette recorder or camcorder) (The audio is for S-Video and AV)

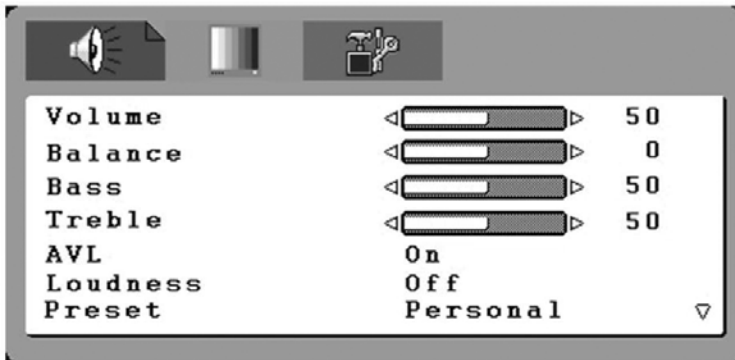
# OSD Function

## To use the menus

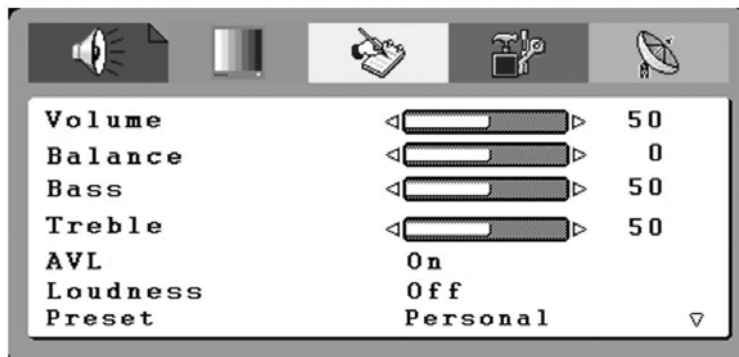
1. Press the **MENU** button to display or close main menu.
2. Use the cursor up/down to select a menu item.
3. Use the cursor left/right to enter a submenu or enable/disable the function.
4. Press the **MENU** button to exit the menu.

## Main Menu

Press the **MENU** button to enter the main OSD (On Screen Display). Adjust the items including Picture Setup, Sound setup, Function Setup and TV setup. When the input source is **AV/S-VIDEO /SCART/YPbPr/ PC/ HDMI** mode, only the Sound Setup, Picture Setup and Function Setup can be selected; shown in the figure below:



When the input source is TV mode, the Sound Setup, Picture Setup, Channel select Setup, Function Setup and TV Setup can be selected; shown in the figure below:



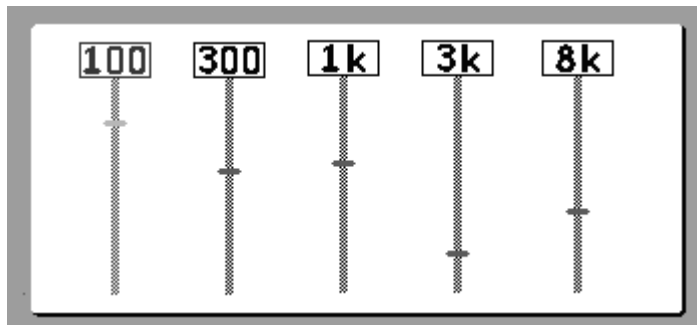
### Sound Setup (Same as in **TV/AV/S-VIDEO /SCART/YPbPr/ PC/ HDMI**)

1. The range of adjusting volume, bass and treble is from 0~100.
2. Bass and Treble: the easy Equalizer function, Bass can adjust the low frequency sound and Treble can adjust the high frequency sound.

3. The range of adjusting Balance is -50~+50; when adjusting from 0 to -50, the sound from the left track fades until silence; when adjusting from 0 to +50, the sound from the right track fades until silence.
4. AVL: you can set it "ON" or "OFF".  
The function is to adjust the input sound automatically. You may enable this function when you notice that the sound in the two tracks are very different, in order to prevent the bad sound effect resulting from large sound variation.
5. Select "ON" or "OFF" for Loudness: a default setting is preset, you may adjust when necessary.  
The following menu will appear when selecting continuously:



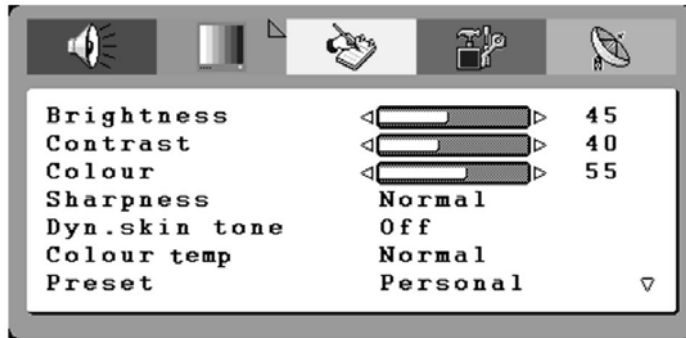
6. Preset: Designed for different types of sound output, where in, the voice music, personal and theatre modes are preset; you can set Bass, Treble and Equalizer in sound output mode according to your preference.
7. Equalizer: You can select and adjust 100, 300, 1K, 3K and 8K respectively (the figures represent the sound frequency range).



8. Reset to default: Reset the sound setting to the factory default value.

### Picture setup

When the input source is in **TV/AV/S-VIDEO /SCART/ YPbPr/ HDMI**, you can select Brightness, Contrast, Colour, Sharpness, Dyn. Colour Temp, preset and Reset to default respectively; shown in the figure below:



When the input source is in PC mode, you can select Brightness, Contrast, Position, Video noise, Sharpness, Auto Adjust, Info, Colour Temp., Red, Green, Blue and Reset to default.

1. Brightness and Contrast: The range can be adjusted from 0~100.
2. Position: There are two options, Horizontal and Vertical, which can be adjusted from -50 to +50.
3. Video noise: There are two options, Phase and Clock, which can be adjusted from -50 to +50.
4. Sharpness: Select from five options of Softest, Soft, Auto, Sharp and Sharpest. You may adjust the above options according to your preference.
5. Auto Adjust: Automatically adjust PC input to the optimal screen size.
6. Information: Prompt the current size for PC input definition (only the definition that can be shown by this device).
7. Colour Temp.: There are four options of colour temperature provided for users - normal, warm, cold and User. You can select the three colour temperatures of normal, warm, and cold, or manually adjust red, green or blue in the User setting (you can only adjust red, green and blue in the user setting).
8. Reset to default: It is used to reset the picture settings to the factory default mode.

### Function Setup

When the input source is in TV mode, you can select Source OSD, Language, Country, ACI, Timers, TT Language, Teletext E/W and Reset to default; shown in the figure below:



1. Current Source OSD setting: When OSD is set to ON, the left upper corner of the display will show the input source or the TV channel number; when OSD is set to OFF, the input source or the TV channel number will disappear.
2. OSD language setting: There are ten languages option provided - English, French, German, Spanish, Russian, Italian, Finnish, Swedish, Danish, Norwegian.

3. Country: Select the relevant country using the ◀/▶ buttons.
4. Timers
  - (1). Sleep Timer: preset a time so that the set can get into standby mode after that time. And the alert function will count down when there is one minute left.
  - (2). Reminder timer: set an alert time so that when the time finished, there will be a warning to remind the user.
5. TT Language. and Teletext E/W: The user can set the teletext language.
6. Reset: It is used to reset the OSD settings.

When the input source is in AV, S-Video or SCART mode, you can select Source OSD, Language, Timers, TT language, Teletext E/W and Reset to default;

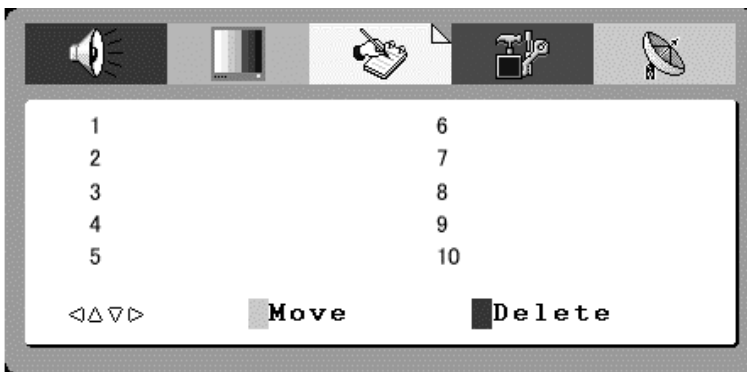
When the input source is in PC and HDMI mode, you can select Source OSD, Language, Timers and Reset to default;

### TV setup

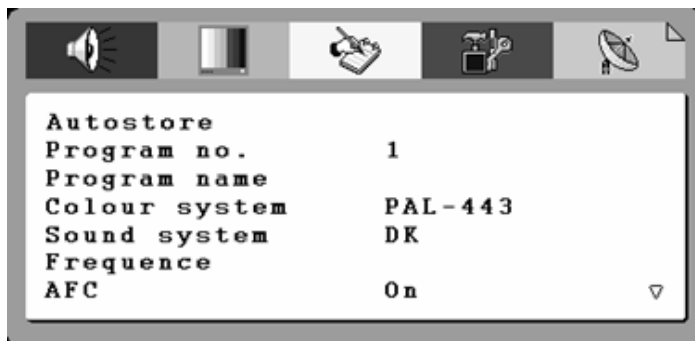
The following menu appears only in the TV mode.

#### A. channel select function

This set can give the user a channel list that all channel received



#### B. channel setup function



1. Autostore: Select "Autostore" to search all signaled channel; when the searching is complete, it stays at the first channel with signal and all channels that have been located are stored. If you would like to stop "Autostore" during the process, simply by pressing the function button.
2. Programme no. : Shows the current programme number.
3. Programme name: show the programme name, also the user can give the programme a unique name
4. Colour System / sound system: select the colour and sound system the current channel. you can select "auto", the set will identify it by oneself
5. Frequency: show the current signal Frequency
6. AFC can be set to ON or OFF. When it is set to ON, the TV will search the TV signal automatically; when there is any offset in the signal, it will automatically adjust the channel to the correct position.
7. Skip can be set to ON or OFF. When it is set to ON, a channel can be skipped by pressing the CH button on the remote control or on the front panel.
8. Reset to default: Reset to the factory default value.

# Appendix

## TIPS

### Care of the screen

Do not rub or strike the screen with anything hard as this may scratch, mar, or damage the screen permanently.

Unplug the power socket before cleaning the screen. Dust the TV by wiping the screen and the cabinet with a soft, clean cloth. If the screen requires additional cleaning, use a clean, damp cloth. Do not use liquid cleaners or aerosol cleaners.

### Mobile telephone warning

To avoid disturbances in picture and sound, malfunctioning of your TV or even damage to the TV, keep away your mobile telephone from the TV.

### End of life directives

We are paying a lot of attention to produce environmentally friendly in green focal areas. Your new receiver contains materials which can be recycled and reused.

At the end of its life specialized companies can dismantle the discarded receiver to concentrate the reusable materials and to minimize the amount of materials to be disposed of.

Please ensure you dispose of your old receiver according to local regulations.

# Product Specification

Items		Specification	
<b>LCD Panel</b>	Screen Size	19.05" TFT-LCD Panel	
	Resolution	1440 x 900 pixels	
<b>TV Function</b>	TV Tuning System	Analog PAL/SECAM	
	Sound System	Analog Nicam / A2	
	Teletext	Yes (10 Pages)	
	Color systems	PAL / SECAM	
<b>Video Inputs</b>	SCART	(RGB+CVBS) x1	
	AV1	RCA(Composite) x 1	Audio L/R x 1 (Share)
	S-Video	S-Video x 1	
	Component	Component x1 (share with D-sub )	Audio L/R×1 (Share with PC Audio )
	HDMI	HDMI x 1	
<b>PC mode</b>	Signal input	Analog: D-Sub 15 pins (separate)	
	Plug and play compatible	DDC 2B	
	Recommended	Analog: 1440x900 (60Hz)	
	Audio input	Used as a stereo earphone mini jack (3.5 ø)	
<b>Audio Output</b>	Audio output: L/R	Speaker (built-in): 2*3 watt speakers	
		Headphone: Mini-jack for stereo (3.5ø)	
<b>OSD language</b>	English/French/German/Spanish/Russian/Italian/Finnish/ Swedish/Danish/Norwegian		
<b>Power</b>	Power supply	100-240V ~50/60Hz	
	Power Consumption	Power-on<65W; Power saving-off<2W	
<b>Wall Mount dimension</b>	VESA: 100*100 mm		
<b>Dimension</b>	W x H x D (with stand)	478mmx406mmx209mm	
<b>Accessories</b>	Remote Control, Batteries, CD wizard, QSG, Power cord, VGA to Component cable, PC Audio to RL cable, AV cable( for Asia use)		



# Product Specification

Items		Specification	
<b>LCD Panel</b>	Screen Size	22" TFT-LCD Panel	
	Resolution	1680 x 1050 pixels	
<b>TV Function</b>	TV Tuning System	Analog PAL/SECAM	
	Sound System	Analog Nicam / A2	
	Teletext	Yes (10 Pages)	
	Color systems	PAL / SECAM	
<b>Video Inputs</b>	SCART	(RGB+CVBS) x1	
	AV1	RCA(Composite) x 1	Audio L/R x 1 (Share)
	S-Video	S-Video x 1	
	Component	Component x1 (share with D-sub )	Audio L/R×1 (Share with PC Audio )
	HDMI	HDMI x 1	
<b>PC mode</b>	Signal input	Analog: D-Sub 15 pins (separate)	
	Plug and play compatible	DDC 2B	
	Recommended	Analog: 1680x1050 (60Hz)	
	Audio input	Used as a stereo earphone mini jack (3.5 ø)	
<b>Audio Output</b>	Audio output: L/R	Speaker (built-in): 2*3 watt speakers	
		Headphone: Mini-jack for stereo (3.5ø)	
<b>OSD language</b>	English/French/German/Spanish/Russian/Italian/Finnish/ Swedish/Danish/Norwegian		
<b>Power</b>	Power supply	100-240V ~50/60Hz	
	Power Consumption	Power-on<75W; Power saving-off<2W	
<b>Wall Mount dimension</b>	VESA: 100*100 mm		
<b>Dimension</b>	W x H x D (with stand)	539mmx447mmx209mm	
<b>Accessories</b>	Remote Control, Batteries, CD wizard, QSG, Power cord, VGA to Component cable, PC Audio to RL cable, AV cable( for Asia use)		

## 19" Wide Preset Timing Mode

MODE	ASPECT RATIO HANDLING	
	RESOLUTION	FS*Full-Screen
STANDARD	720x400 @ 70Hz	1440x900
	640x480 @ 60Hz	1440x900
	640x480 @ 75Hz	1440x900
VESA	800x600 @ 60Hz	1440x900
VESA	800x600 @ 75Hz	1440x900
MAC	832x624 @ 75Hz	1440x900
VESA	1024x768 @ 60Hz	1440x900
VESA	1024x768 @ 75Hz	1440x900
	1280x768 @ 60Hz	1440x900
	1280x1024 @ 60Hz	1440x900
VESA	1440x900 @ 60Hz	1440x900
NTSC	480i(60Hz)	1440x900
DVD	480p(60Hz)	1440x900
PAL	576i(50Hz)	1440x900
DVD	576p(50Hz)	1440x900
	720p(50/60Hz)	1440x900
	1080i (50/60Hz)	1440x900

## 22" Wide Preset Timing Mode

MODE	ASPECT RATIO HANDLING	
	RESOLUTION	FS*Full-Screen
STANDARD	720x400 @ 70Hz	1680x1050
	640x480 @ 60Hz	1680x1050
	640x480 @ 75Hz	1680x1050
VESA	800x600 @ 60Hz	1680x1050
VESA	800x600 @ 75Hz	1680x1050
MAC	832x624 @ 75Hz	1680x1050
VESA	1024x768 @ 60Hz	1680x1050
VESA	1024x768 @ 75Hz	1680x1050
	1280x768 @ 60Hz	1680x1050
	1280x1024 @ 60Hz	1680x1050
VESA	1440x900 @ 60Hz	1680x1050
VESA	1680x1050 @ 60Hz	1680x1050
NTSC	480i(60Hz)	1680x1050
DVD	480p(60Hz)	1680x1050
PAL	576i(50Hz)	1680x1050
DVD	576p(50Hz)	1680x1050
	720p(50/60Hz)	1680x1050
	1080i (50/60Hz)	1680x1050

**Warning:** Do not set the graphics card in your computer to exceed these refresh rates. Doing so may result in permanent damage to the LCD.

**Note:** Product Specification is subject to change without further notice.

# Troubleshooting

Please make these simple checks before calling service. These tips may save you time and money since charges for receiver installation and adjustments of customer controls are not covered under your warranty.

<b>Problem</b>	<b>Possible Solution</b>
“ Ghost ” or double image	*This may be caused by obstruction to the antenna due to high rise buildings or hills. Using a highly directional antenna may improve the picture.
No power	<ul style="list-style-type: none"> <li>• Make sure the power cord is properly connected to the LCD TV AC power socket.</li> <li>• Make sure the AC power cord is properly connected to the wall outlet.</li> <li>• Make sure the AC power on the back of LCD TV is ON, DC power button is ON (Green LED).</li> <li>• Plug another electrical device (like a radio) to the power outlet to verify that the outlet is supplying the proper voltage.</li> </ul>
No picture	<ul style="list-style-type: none"> <li>• The TV station may be experiencing problems. Try another channel.</li> <li>• The Cable TV signal may be scrambled or encoded. Please contact your local cable operator.</li> <li>• Make sure that connection to other components are correct referring to the user guide.</li> <li>• Make sure that setup has been done correctly after connections.</li> <li>• Make sure the correct input is selected and the input signal is compatible.</li> </ul>
Poor picture	*Sometimes, poor picture quality occurs when having activated an S-VHS camera or camcorder connected and having connected another peripheral at the same time. In this case switch off one of the other peripherals
Snowy picture and noise	*Check the antenna connection
No sound	<ul style="list-style-type: none"> <li>• Check your audio connections are properly connected referring to the user guide.</li> <li>• The MUTE button may have been pressed, try pressing this button again.</li> <li>• Check your audio settings, your TV audio may be set to minimum.</li> <li>• Press the Volume + (Up) button on the remote control.</li> </ul>
Strange color, light color, or color misalignment	<ul style="list-style-type: none"> <li>• Ensure that the video cable is securely connected.</li> <li>• The picture may appear dim in a brightly lit room.</li> <li>• Adjust brightness, contrast, saturation (color), and tint referring to the user guide.</li> <li>• Check the input signal setting.</li> </ul>

Remote control unit does not operate	<ul style="list-style-type: none"> <li>• Make sure the directions of batteries are inserted correctly referring to the user guide.</li> <li>• Batteries could be weak or dead. Replace by new batteries.</li> <li>• Is a fluorescent light illuminated near the remote control sensor?</li> <li>• The path of the remote control beam may be blocked. Make sure the path is clear and that the remote control is aimed at the remote control sensor on the TV.</li> <li>• Press the POWER button on the remote control to see if you can turn on the TV.</li> <li>• Press MENU button on the remote control to see if there is a MENU shown on the screen.</li> <li>• Press only one button at a time and it is the correct one for the operation you want to perform.</li> </ul>
Unit cannot be operated	<ul style="list-style-type: none"> <li>• External influences such as lightning or static electricity may cause improper operation. In this case, operate the unit after first turning on the power of the LCD TV and the AVC System, or unplug the AC cord for 1 to 2 minutes, then replug again.</li> </ul>
Power is cut off suddenly	<ul style="list-style-type: none"> <li>• Is the sleep timer set in advance?</li> <li>• Is there no signal in PC mode or HDMI mode?</li> <li>• The internal temperature of the unit has increased. Remove any objects blocking the vent or clean as necessary.</li> </ul>
No CATV reception (or no reception above CH13)	<ul style="list-style-type: none"> <li>• Is the AIR/CABLE option set correctly? Please set the AIR/CABLE option to CABLE referring to the user guide.</li> <li>• CATV is connected improperly or not connected; please check all the CATV connections.</li> <li>• The cable TV service is interrupted; please contact your cable operator.</li> </ul>
Picture is cut off/with sidebar screen	<ul style="list-style-type: none"> <li>• Is the image positioned correctly?</li> <li>• Are screen mode adjustments such as picture size set correctly?</li> <li>• Press WIDE button repeatedly on the remote control to see if you can get the picture you prefer</li> </ul>
Horizontal dotted line	<p>*This may be caused by electrical interference (e.g. hairdryer, nearby neon lights, etc.)</p> <p>*Turn off the equipment.</p>
Television not responding to remote control	<p>*Check whether the batteries are working. Replace if necessary</p> <p>*Clean the remote control sensor lens on the TV.</p> <p>*You can still use the buttons at the front of your TV.</p> <p>*Select the TV mode to be sure your remote control is in the TV mode.</p> <p>*Remove plug from mains for 5 seconds then replug to power on again.</p>

# Glossary

## Audio / Video Inputs

Located on the rear and the front of the receiver these connectors (RCA phono type plug) are used for the input of audio and video signals. Designed for use with VCRs (or other accessories) in order to receive higher picture resolution and offer sound connection options.

## S-Video Input

Allows direct connection of high-resolution video sources, such as a Super VHS videocassette recorder, Laser Disc player, etc. Provides improved picture resolution, sharpness, and clarity.

## Menu

An on-screen listing of feature controls shown on the TV screen that are made available for user adjustments.

## RF

Radio Frequency or modulated signal design used as the carrier for television broadcasts.

## Sleep Timer

Function with which you can set a time period after which the TV should turn itself off.

# Customer Support

For technical support or product service, see the table below or contact your reseller.

**Note:** You will need the product serial number

Country/Region	Web Site	Telephone
Austria	<a href="http://www.viewsoniceurope.com/aus/">www.viewsoniceurope.com/aus/</a>	0150 159 6005
Belgium	<a href="http://www.viewsoniceurope.com/befl/">www.viewsoniceurope.com/befl/</a> <a href="http://www.viewsoniceurope.com/befr/">www.viewsoniceurope.com/befr/</a>	02 256 6642
Bulgaria	<a href="http://www.viewsoniceurope.com/">www.viewsoniceurope.com/</a>	+359 2 817 3650
Czech Republic	<a href="http://www.viewsoniceurope.com/">www.viewsoniceurope.com/</a>	+420 22012 1432
Denmark	<a href="http://www.viewsoniceurope.com/dk/">www.viewsoniceurope.com/dk/</a>	35 25 65 12
Estonia	<a href="http://www.viewsoniceurope.com/">www.viewsoniceurope.com/</a>	+372 651 9972
Finland	<a href="http://www.viewsoniceurope.com/fi/">www.viewsoniceurope.com/fi/</a>	09 2311 3413
France	<a href="http://www.viewsoniceurope.com/fr/">www.viewsoniceurope.com/fr/</a>	03 8717 1616
Germany	<a href="http://www.viewsoniceurope.com/de/">www.viewsoniceurope.com/de/</a>	0696 630 8051
Greece	<a href="http://www.viewsoniceurope.com/">www.viewsoniceurope.com/</a>	+30 210 2409 150
Hungary	<a href="http://www.viewsoniceurope.com/">www.viewsoniceurope.com/</a>	+36 1814 8080
Republic of Ireland	<a href="http://www.viewsoniceurope.com/uk/">www.viewsoniceurope.com/uk/</a>	01 411 8936
Italy	<a href="http://www.viewsoniceurope.com/it/">www.viewsoniceurope.com/it/</a>	02 4527 9033
Latvia	<a href="http://www.viewsoniceurope.com/lv/">www.viewsoniceurope.com/lv/</a>	+37 1706 5100
Lithuania	<a href="http://www.viewsoniceurope.com/lt/">www.viewsoniceurope.com/lt/</a>	+37 037 466191
Luxembourg	<a href="http://www.viewsoniceurope.com/lu/">www.viewsoniceurope.com/lu/</a>	40 6661 5618
The Netherlands	<a href="http://www.viewsoniceurope.com/nl/">www.viewsoniceurope.com/nl/</a>	053 484 9308
Macedonia	<a href="http://www.viewsoniceurope.com/">www.viewsoniceurope.com/</a>	00 389 246 1889
Norway	<a href="http://www.viewsoniceurope.com/no/">www.viewsoniceurope.com/no/</a>	+22 57 77 38
Poland	<a href="http://www.viewsoniceurope.com/pl/">www.viewsoniceurope.com/pl/</a>	+48 61 879 8993
Portugal	<a href="http://www.viewsoniceurope.com/">www.viewsoniceurope.com/</a>	21359 1423
Slovak Republic	<a href="http://www.viewsoniceurope.com/">www.viewsoniceurope.com/</a>	421 244 648 151
Slovenia	<a href="http://www.viewsoniceurope.com/">www.viewsoniceurope.com/</a>	+ 386 839 4617
Russia	<a href="http://www.viewsoniceurope.com/ru/">www.viewsoniceurope.com/ru/</a>	095 7258 106
Spain	<a href="http://www.viewsoniceurope.com/es/">www.viewsoniceurope.com/es/</a>	913 496 534
Sweden	<a href="http://www.viewsoniceurope.com/se/">www.viewsoniceurope.com/se/</a>	08 5792 9045
Switzerland	<a href="http://www.viewsoniceurope.com/ch/">www.viewsoniceurope.com/ch/</a>	+41 52 624 0128
Ukraine	<a href="http://www.viewsoniceurope.com/">www.viewsoniceurope.com/</a>	+380 44 239 99 99
United Kingdom	<a href="http://www.viewsoniceurope.com/uk/">www.viewsoniceurope.com/uk/</a>	0207 949 0307

# Limited Warranty

## VIEWSONIC® LCD TV

### What the warranty covers:

ViewSonic warrants its products to be free from defects in material and workmanship, under normal use, during the warranty period. If a product proves to be defective in material or workmanship during the warranty period, ViewSonic will at its sole option repair or replace the product with a like product. Replacement product or parts may include remanufactured or refurbished parts or components.

### How long the warranty is effective:

ViewSonic LCD TVs are warranted for one (1) year for all parts excluding the light source and one (1) year for labor from the date of the first customer purchase.

### Who the warranty protects:

This warranty is valid only for the first consumer purchaser.

### What the warranty does not cover:

1. Any product on which the serial number has been defaced, modified or removed.
2. Damage, deterioration or malfunction resulting from:
  - a. Accident, misuse, neglect, fire, water, lightning, or other acts of nature, unauthorized product modification, or failure to follow instructions supplied with the product.
  - b. Repair or attempted repair by anyone not authorized by ViewSonic.
  - c. Any damage of the product due to shipment.
  - d. Removal or installation of the product.
  - e. Causes external to the product, such as electric power fluctuations or failure.
  - f. Use of supplies or parts not meeting ViewSonic's specifications.
  - g. Normal wear and tear.
  - h. Any other cause which does not relate to a product defect.
3. Any product exhibiting a condition commonly known as "image burn-in" which results when a static image is displayed on the product for an extended period of time.
4. Removal, installation, and set-up service charges.
5. When you mount it on the wall, the following must be noticed:
  - a. The accessories attached with this product are applicable for this product only.
  - b. When the product is mounted on the wall, holes and fixed screws will remain in the wall body.
  - c. Wall face may discolor when this product has been mounted on the wall for a long time.

### How to get service:

1. For information about receiving service under warranty, contact ViewSonic Customer Support at 800-888-8583. You will need to provide your product's serial number.
2. To obtain warranted service, you will be required to provide (a) the original dated sales slip, (b) your name, (c) your address, (d) a description of the problem, and (e) the serial number of the product.
3. Take or ship the product freight prepaid in the original container to an authorized ViewSonic service center or ViewSonic.
4. For additional information or the name of the nearest ViewSonic service center, contact ViewSonic.

### Limitation of implied warranties:

There are no warranties, express or implied, which extend beyond the description contained herein including the implied warranty of merchantability and fitness for a particular purpose.

### Exclusion of damages:

ViewSonic's liability is limited to the cost of repair or replacement of the product. ViewSonic shall not be liable for:

1. Damage to other property caused by any defects in the product, damages based upon inconvenience, loss of use of the product, loss of time, loss of profits, loss of business opportunity, loss of goodwill, interference with business relationships, or other commercial loss, even if advised of the possibility of such damages.
2. Any other damages, whether incidental, consequential or otherwise.
3. Any claim against the customer by any other party.

### Effect of state law:

This warranty gives you specific legal rights, and you may also have other rights which vary from state to state. Some states do not allow limitations on implied warranties and/or do not allow the exclusion of incidental or consequential damages, so the above limitations and exclusions may not apply to you.

### Sales outside the U.S.A. and Canada:

For warranty information and service on ViewSonic products sold outside of the U.S.A. and Canada, contact ViewSonic or your local ViewSonic dealer.

The warranty period for this product in mainland China (Hong Kong, Macao and Taiwan Excluded) is subject to the terms and conditions of the Maintenance Guarantee Card.

For users in Europe and Russia, full details of warranty provided can be found in [www.viewsoniceurope.com](http://www.viewsoniceurope.com) under Support/Warranty Information.





**ViewSonic®**

## Free Manuals Download Website

<http://myh66.com>

<http://usermanuals.us>

<http://www.somanuals.com>

<http://www.4manuals.cc>

<http://www.manual-lib.com>

<http://www.404manual.com>

<http://www.luxmanual.com>

<http://aubethermostatmanual.com>

Golf course search by state

<http://golfingnear.com>

Email search by domain

<http://emailbydomain.com>

Auto manuals search

<http://auto.somanuals.com>

TV manuals search

<http://tv.somanuals.com>