

ViewSonic®

N2690w

LCD TV

- 使用手冊
- User Guide



Model No. : VS12276-1G

Contents

Important Safety Instructions.....	1
Copyright Information.....	2
Product Registration.....	2
Antenna Installation Instructions	3
Cleaning the LCD TV	4

Getting Started

Package Contents.....	5
Mounting ViewSonic LCD TV to the wall.....	5
Place the TV on a solid surface.....	6
Install the wall mount plate to the LCD TV.....	6
Connecting the power.....	6
Turn the TV on & Off.....	7

Overview the LCD TV & Connection

The Front of the Screen Introduction.....	7
Signal Source Interface from Rear View.....	8
Signal Source Interface from Side View.....	9
To Use Remote Control.....	10
Remote Control Battery Installation.....	11


OSD Functions

To Use the OSD Menu.....	12
To Select Input Source.....	12

Other Information

Specifications	19
Troubleshooting.....	20
Customer Support	22
Declaration of RoHS Compliance.....	22
Limited Warranty	23

Important Safety Instructions

1. Read these instructions completely before using the equipment.
2. Keep these instructions in a safe place.
3. Heed all warnings.
4. Follow all instructions.
5. Do not use this equipment near water. **Warning:** To reduce the risk of fire or electric shock, do not expose this apparatus to rain or moisture.
6. Clean with a soft, dry cloth. If further cleaning is required, see “Cleaning the LCD TV” in this guide for further instructions.
7. Do not block any ventilation openings. Install the equipment in accordance with the manufacturer’s instructions.
8. Do not install near any heat sources such as radiators, heat registers, stoves, or other devices (including amplifier) that produce heat.
9. Do not attempt to circumvent the safety provisions of the polarized or grounding-type plug. A polarized plug has two blades with one wider than the other. A grounding type plug has two blades and a third grounding prong. The wide blade and the third prong are provided for your safety. If the plug does not fit into your outlet, consult an electrician for replacement of the outlet.
10. Protect the power cord from being tread upon or pinched, particularly at the plug, and the point where it emerges from the equipment. Be sure that the power outlet is located near the equipment so that it is easily accessible.
11. Only use attachments/accessories specified by the manufacturer.
12.  Use only with a cart, stand, tripod, bracket, or table specified by the manufacturer, or sold with the apparatus. When a cart is used, use caution when moving the cart/apparatus combination to avoid injury from tip-over.
13. Unplug this equipment when it will be unused for long periods of time.
14. Refer all servicing to qualified service personnel. Service is required when the unit has been damaged in any way, such as: if the power-supply cord or plug is damaged, if liquid is spilled onto or objects fall into the unit, if the unit is exposed to rain or moisture, or if the unit does not operate normally or has been dropped.
15. This product is only to perform the useful function of entertainment and visual display tasks are excluded.
16. To avoid the risk of electric shock, do not disassemble the equipment. For safety reasons, this equipment can only be disassembled by professionals.
17. The equipment shall not be caught in rain, and any object containing liquid such as vase can not be put on it.
18. The Category I equipments must be connected with plugs or power with protective earthing.
19. If a plug or a coupler is used as the power off device, its ease of operation must be guaranteed.
20. If an all-pole switch is used as the power off device, its location on the equipment and its function must be described, and the ease of switch operation must be guaranteed.
21. Please plug the TV’s power plug into a nearby power outlet that is the most convenient for connection.
22. **Warning:** To reduce the risk of fire or electric shock, do not expose this equipment to rain or moisture.

23. For the battery:

- ① If batteries are needed for the equipment, please ensure the correct polarities of the batteries (+/-) while installing.
- ② The waste batteries shall be properly disposed of, and never burn it in a fire.
- ③ Never expose the batteries (packaged batteries or the batteries installed in the equipment) to excessive heat, for example, the sunlight or fire and the like.

Copyright Information

Copyright © ViewSonic[®] Corporation, All rights reserved.

ViewSonic, the three birds logo, OnView, ViewMatch, and ViewMeter are registered trademarks of ViewSonic Corporation.

Disclaimer: ViewSonic Corporation shall not be liable for technical or editorial errors or omissions contained herein; nor for incidental or consequential damages resulting from furnishing this material, or the performance or use of this product. In the interest of continuing product improvement, ViewSonic Corporation reserves the right to change product specifications without notice. Information in this document may change without notice.

No part of this document may be copied, reproduced, or transmitted by any means, for any purpose without prior written permission from ViewSonic Corporation.

Product Registration

To meet your future needs, and to receive any additional product information as it becomes available, please register your product on the Internet at: www.viewsonic.com.

For your Record

Product Name: N2690w ViewSonic LCD TV

Model Number: VS12276-1G

Document Number: N2690w-1G_UG_ENG Rev.1A 07-14-08

Serial Number: _____

Purchase Date: _____

Product disposal at end of product life

ViewSonic is concerned about the preservation of our environment. Please dispose of this product properly at the end of its useful life. Your local waste disposal company may provide information about proper disposal.

The lamp in this product contains mercury. Please dispose of properly in accordance with environmental laws of your location.

Antenna Installation Instructions

1. Outdoor Antenna Grounding

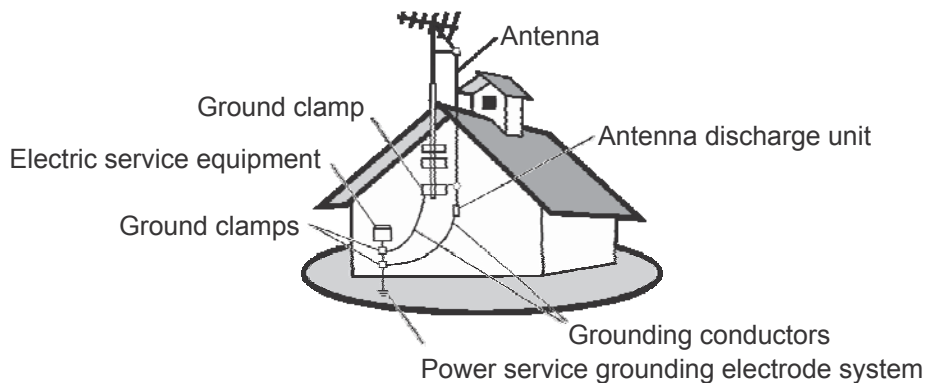
If an outside antenna or cable system is connected to the product be sure the antenna or cable system is grounded so as to provide some protection against voltage surges and built-up static charges, Article 810 of the National Electrical Code, ANSI/NFPA 70, provides information with regard to proper grounding of the mast and supporting structure, grounding of the lead-in wire to an antenna discharge unit, connection to grounding electrodes, and requirements for the grounding electrode.

2. Lightning

For added protection for this product during a lightning storm, or when it is left unattended and unused for long periods of time, unplug it from the wall outlet and disconnect the antenna or cable system. This will prevent damage to the product due to lightning and power-line surges. Do not disconnect the antenna or the power cord during a heavy storm lightning may strike while you are holding the cable cord, causing serious injury; turn off your LCD TV and wait for the weather to improve.

3. Power Lines

An outside antenna system should not be located in the vicinity of overhead power lines or other electric light or power circuits, or where it can fall into such power lines or circuits, When installing an outside antenna system, extreme care should be taken to keep from touching such power lines or circuits as contact with them might be fatal.



Cleaning the LCD TV

- Make sure the LCD TV is turned off.
- Never spray or pour any liquid directly onto the screen or case.

To clean the screen:

1. Wipe the screen with a clean, soft, lint-free cloth. This removes dust and other particles.
2. If still not clean, apply a small amount of non-ammonia, non-alcohol based glass cleaner onto a clean, soft, lint-free cloth, and wipe the screen.

To clean the case:

1. Use a soft, dry cloth.
2. If still not clean, apply a small amount of a non-ammonia, non-alcohol based, mild non-abrasive detergent onto a clean, soft, lint-free cloth, then wipe the surface.

Disclaimer

ViewSonic® does not recommend the use of any ammonia or alcohol-based cleaners on the LCD TV screen or case. Some chemical cleaners have been reported to damage the screen and/or case of the LCD TV. ViewSonic will not be liable for damage resulting from use of any ammonia or alcohol-based cleaners.

Getting Started

Congratulations on your purchase of a ViewSonic® LCD TV.

Important! Save the original box and all packing material for future shipping needs.

Package Contents

Your LCD TV package includes:

- LCD TV
- Power Cord
- Warranty Card*
- Remote Control with batteries
- RF Cable
- ViewSonic User Guide

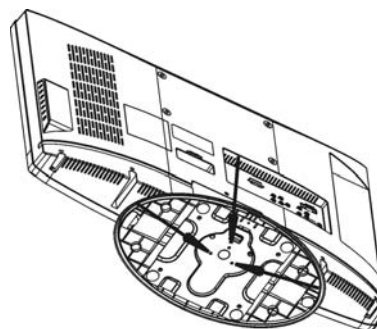
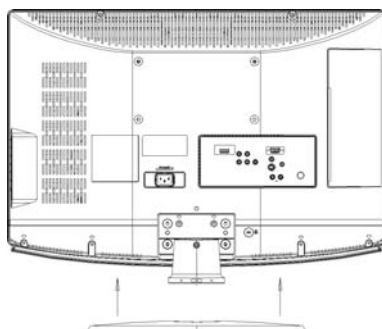
Mounting ViewSonic LCD TV to the wall

The LCD TV can be used in a free standing position or wall-mounted. Before installing the product to the wall, please consider the following guidelines:

- Read the Important Safety Instructions, at the start of this manual.
- Do not install in a moist or wet environment. This equipment is intended for indoor use.
- Do not install near heat source, or strong magnetic fields.
- Use only ViewSonic approved wall-mounting brackets to support the LCD TV weight.
- Before attaching the wall mount plate to the back cover, ensure the product is working.
- If your LCD TV is already set up for free-standing operation, you need to first remove the stand before mounting the device to the wall.

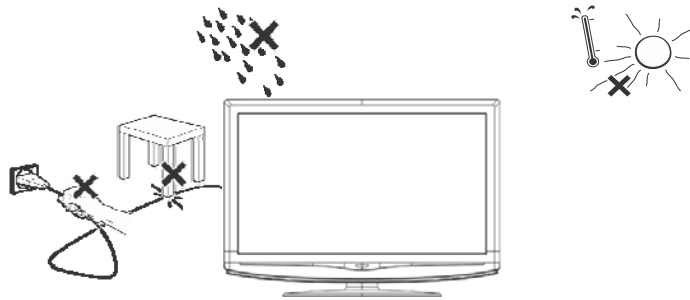
To attach the wall-mount bracket to LCD TV safely, please use the following guidelines:

- Disconnect the power and any other cables that might hinder moving the LCD TV.
- Set the LCD TV on a table or work surface, placing the screen face down on a towel or woolen blanket to protect the screen surface from damage while installing plate.
- Please refer the following steps to remove the stand.
 1. Remove the base. It is attached to the stand with 4 screws.
 2. Remove the 4 screws holding the stand to the hinge.
 3. Remove the stand.



Place the TV on a solid surface

1. Ensure that the TV is placed in a position to allow free flow of air. Do not cover the ventilation openings on the back cover.
2. Leave at least 15cm around the TV set. Otherwise, air-circulation may be inadequate and cause overheating, which may cause a fire or damage to the TV set.
3. Never place the TV set in hot, oily humid or excessively dusty places.
4. To prevent any unsafe situations, no naked flame sources, such as lighted candles, should be placed on or in the vicinity.
5. Avoid heat, direct sunlight and exposure to rain or water. The equipment shall not be exposed to dripping or splashing.



Install the wall mount plate to the LCD TV

This TV is in compliance with the VESA standards for wall-mounting. Refer to product specifications for the wall-hanging dimension.

In case of wall-hanging, for your safety and that of the equipment, please use the wall-hanging bracket in compliance with the specifications of this machine (see page 20) and install it under the guidance of the professionals.

If you want to hang your TV set on the wall, all connecting wires must be plugged in the interfaces of the TV set in advance.

At least 6cm space must be left between the TV set and the wall surface to ensure all the interfaces have enough room for plugging in.

Wherever you place or hang your TV set, you must ensure the air can be freely circulated through the ventilation slot.

Do not place the TV set in a closed space.

Connecting the power

Plug one end of the power cord into the port "Power In" on the lower rear of the TV set, and plug the other into the 220V power outlet.

Avoid placing the LCD TV on any AC power cord. Or, it may cause fire disaster or electric shock.

If the unit is not turned off and in the standby state, the TV set will always consume a certain electric power.

When the TV set will not be used for a long period of time, it is recommended to unplug it from the power outlet.

Turn the TV on & Off

1. Power On :

Press the power button on the remote control or key to pad to turn it on.

2. Power Off :

Press the power button on the remote control or key to pad to turn it on.

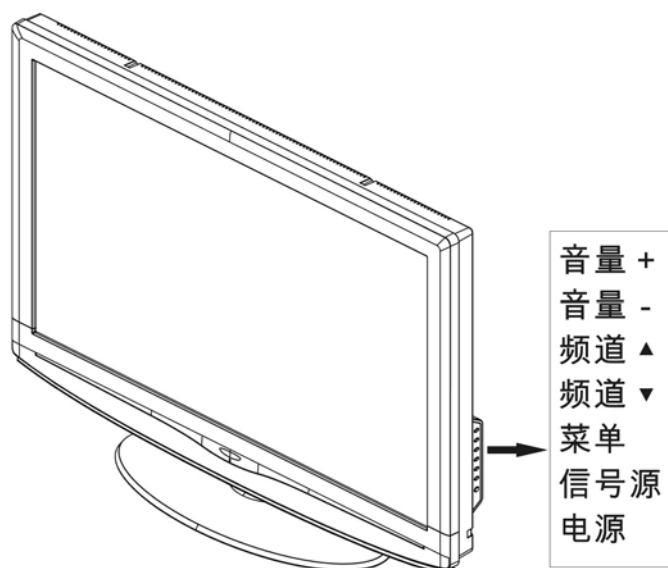
3. LED Indicator

Lights up in Blue : the TV is turned on.

Lights up in red : the TV is in standby mode.

Overview the LCD TV & Connection

The Front of the Screen Introduction

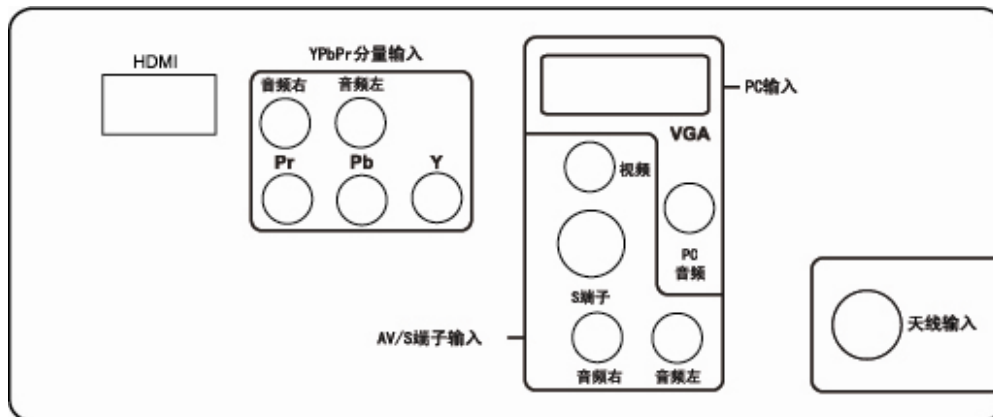


Power:	Turn the power on from standby mode or turn the power off return to the standby mode.
Source:	Press this button to display selected source, press ▲▼button to select input source.
Menu:	Press this button to display or exit the OSD menu.
CH:	When the OSD menu appears, press these two buttons to select the item you want to execute; when no OSD menu appears, use to change channels in TV mode.
Vol:	When the OSD menu appears, press these two buttons to confirm the selected item; when no OSD menu appears, use to adjust the volume.

Signal Source Interface from Rear View

You can connect numerous items of source equipment to your TV. The figure below shows you how to connect these.

Place the TV on a table with the LCD screen facing down to facilitate easy connection with the external equipment. Please take precautionary measures to avoid damaging the LCD screen.



Antenna Input:

Connect the antenna or CATV cable

Note: CATV cable to this 75Ω coaxial cable input

AV/S-Video Input:

Connect the Video signal or S-Video cable to DVD player, Laser Disc player, videocassette recorder or camcorder.

Audio Input: Connect the audio signal source (PC, DVD player, Laser Disc player, videocassette recorder or camcorder) to the audio Input ports.

(Note: S-Video & AV are shared same audio input).

Component signal Cr (Pr), Cb (Pb), Y Input:

Connect the component signal source of audio and video (DVD player, Laser Disc player, videocassette recorder or camcorder) to the Component Input port.

VGA Signal Input / Audio Input:

Use the VGA signal cable to connect signals from a PC to the TV Input.

Connect the PC audio cable supplied with the TV to the TV's PC Audio Input.

Signal Source Interface from Side View



HDMI:

HDMI (High-Definition Multimedia Interface) can be used to connect the HDMI signal cable to the DVD player and other devices.

Headphone jack:

The user can use headphones by inserting the plug into the headphone jack. There are several source devices that can connect to your TV. Here is how to connect various devices.

Tips:

When connecting the external equipment with the TV, please ensure that the TV power is turned off.

When connecting the external equipment, please connect the cable to the terminal with the same color.

To Use Remote Control

Sleep

With this key you can set a time period after which the TV should switch itself to standby. Press the key repeatedly to select the number of minutes. The counter runs from 15, 30, 45, 60, 90, 120 minutes. (PC mode did not support this function)

TV

To select TV input.

AV

To select AV/S-Video input.

0-9/100

Select and switch to a channel by using 0-9 buttons.

Display

Pressing once displays a variety of information such as the current channel and the input source.

Mute

Mutes and restores your LCD TV sound.

CH \wedge \vee

When in menu mode, use this button to select to the up/down; otherwise, to change TV channels.

Source

To select input source.

\wedge \vee \langle \rangle

Press these buttons to navigate the OSD menus. \wedge \vee \langle \rangle are for function select, and \wedge \vee is for function adjustment.



Enter

Press the button to confirm selection.

POWER

Press to turn on/off.

HDMI

To select HDMI input.

YPbPr

To select YpbPr/PC input.

Recall

To display the previously TV channel

VOL \wedge \vee

Use this button to confirm selection or adjust the desired parameter; otherwise, to increase /decrease the volume

Exit

Exits the OSD menu (on-screen display).

Menu

Press this key to display OSD menu.

Image format

It to select picture size. Includes 4 modes: Zoom/16:9 Zoom-Up/Wide (16:9) /Normal(4:3). (The options of aspect ratio may be different according to its input source)

Sound Effect

To select Personal, Dialogue, Music, Theatre modes.

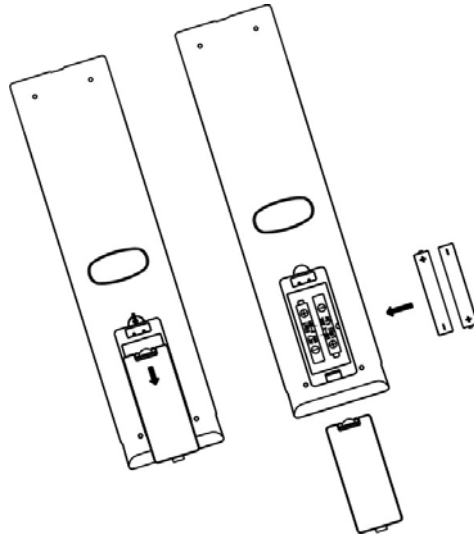
Picture Quality Adjustment

To select Personal, Colorful, Standard and Soft.

Remote Control Battery Installation

Follow the steps below to insert batteries.

1. Open the remote control's rear battery compartment cover.
2. Insert two AAA (1.5v) batteries. Ensure that the positive and negative ends match as indicated on the bottom of the battery compartment.



CAUTION

1. Only use the specified AAA batteries.
2. Do not mix new and old batteries. This may result in cracking or leakage, which may pose a risk of fire or lead to personal injury
3. Insert batteries according to (+) and (-) markings. Inserting the batteries incorrectly may result in cracking or leakage, which may pose a risk of fire or lead to personal injury.
4. Dispose of the battery in accordance with local laws and regulations.
5. Keep the battery away from children and pets.
6. When the remote control will not to be used for an extended period, remove the batteries.
7. If the battery fluid leaks inside the remote control, clean the battery compartment carefully and insert new batteries.
8. Improper battery changing may cause explosion.
9. Dispose of the used batteries in accordance with the instructions on the battery.

To Use the OSD Menu

All the functions for the LCD TV are control either by the remote control or the control button on the front control screen at bottom of right side.

1. Press the Menu button to display or exit the OSD main menu.
2. Use the Up or Down buttons to select the function to be adjusted. The function where the cursor is located is the selected one.
3. Use the Left or Right buttons to enter into the submenu, or to enable or adjust the selected function. The function where the cursor is located is the one that can be adjusted.
4. Press the Exit button to exit the OSD menu.

To Select Input Source

In different input source, the functions can be adjusted are different.

Press Source key to select the input source. It offers the following input source: **TV, AV, S-Video, YPbPr, HDMI1 & VGA.**



Adjustable items for TV mode includes: Picture, Sound, Advance, System and TV channel.

Adjustable items for AV, S-Video, YPbPr, HDMI Input modes includes: Picture, Sound, Advance, System.

Adjustable items for VGA mode includes: Picture, Sound, PC, System.

Picture Setting



1. **Picture adjustment:** This option provides 4 choices: Personal, Colorful, Standard, and Soft.
2. Adjustable Brightness and Contrast range is from 0~100. Screen brightness can be set by adjusting the Brightness or Contrast.
3. **Saturation:** Adjustable range from 0~100. Adjust this option to change the color intensity on the screen. (Not support for VGA,HDMI mode)
4. **Sharpness:** Adjustment picture sharpness, range is from 0 to 10. (Not support for PC, HDMI mode.)
5. **Color Temperature:** You can select or adjust the color temperature according to your requirements. Selection: Cool Warm & Middle.
6. **MEMORY RECALL:** To reset the video settings back to the factory default settings.

Sound Setting



1. **Sound adjustment:** Designed for different sound output modes, including dialogue, music, theatre modes. The bass and treble cannot be adjusted in the Preset mode. According to your preferences, the sound output mode can be set by adjusting the bass, treble, and balance in the Personal mode.
2. **Base and Treble:** Adjustable ranges are from -10~10.
3. **Balance:** Adjustable ranges are from -10~10. Right channel sound fades out as adjusting from 0 to -10 and the left channel fades out as adjusting from 0 to 10.
4. **Memory Recall:** To reset the Sound settings back to the factory default settings

Advance Settings (Not applicable for PC mode)

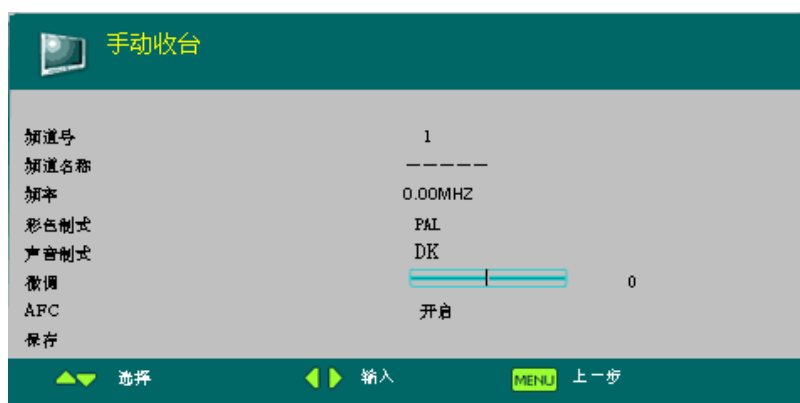


1. **NR:** Off, Weak, Middle or Strong. Choose to clear serious noise problems from the screen. Please refer to the actual screen when making your selection. It is recommended not to change settings when noise problems are minor.
2. **High contrast:** To enhance the color saturation and color effect.
3. **Aspect ratio:** Use wide, Normal, 16:9 Zoom-Up modes to select the screen ratio.
4. **Memory Recall:** To reset the Advance Settings back to the factory default settings.

TV Setting (Available only under TV mode)



1. **Auto Scan:** To scan the channel saver automatically.
2. **Manual search:** Use left/right buttons to the display the following OSD Menu.



- (1) **Channel:** To display current channel number.
- (2) **Channel's name:** To display current channel's name.
- (3) **Frequency:** To display current channel frequency
Manual fine-tuning method: Press the Up/Down key to select the frequency option. The option will turn yellow. Then press the Left/Right key to adjust the frequency or press the number keys on the remote control directly to enter the fixed frequency to select the program you want to watch.
Semi-automatic tuning method: Hold down the Left or Right key for more than 3 seconds to enter the semi-automatic tuning state. When finding the program signal, it will exit the semi-automatic tuning state automatically and save the current program into the current number.
- (4) **Color system:** To display the color standard of the current TV signal (display as Auto after choosing Auto Save.)
- (5) **Sound system:** To display the sound standard of the current TV signal (display as Auto after choosing Auto Save.)
- (6) **Fine tuning:** Use left/right buttons to fine tune the frequency. The range is from-50~50

- (7) **AFC** : can be set to On or Off. If set to On, the TV will automatically detect TV signals, and automatically adjust to the correct position in a certain frequency range when the signal offset occurs. ◦
- (8) **Save**: Save each setting for manual tuning. ◦

3. **Channel list**: Press the Left/Right button to enter the submenu; see the figure below.



You can edit the channel list according to the instructions at the bottom of the menu.

System Settings



1. **OSD Language** : Select the OSD language among Simplified Chinese and English.
2. **OSD Duration**: To adjust the duration of the Menu on the screen.
3. **Sleep Timer** : You can set a timer to enter standby status for the unit. (Not support for PC mode)
4. **OSD Halftone**: Adjustable range from 0~15. To adjust the menu transparency.
5. **Recall**: To reset the System settings back to the factory default settings.
6. **Reset**: To reset the settings back to the factory default settings.

PC settings (under PC mode)



1. **Auto Adjust**: Automatically adjust VGA input to the optimal screen size.
2. **V Position, H Position**: Adjustable ranges are from 50~50
3. **Clock or Phase**: Adjustable ranges are from 50~50

Other Information

Product Speciation

Model	N2690w
Screen Size (Diagonal Size)	660mm
Resolution	1360x768
Audio Output	5Wx2
TV Tuning System	PAL
Sound System	D/K, I, B/G
Power Voltage	AC100-240V 50/60Hz
Power Consumption (Normal operation)	150W
Power Consumption (Standby)	≤1W
Dimensions (W)x(H)x(D) (mm) (with stand)	652mmx482mmx189mm
Wall Mount Kits	Not Include
Wall Mount dimension	200x200mm M6x10mm, 4 pcs (Screw)
Environmental Considerations Operating Temperature Operating Humanity Storage Temperature Storage Humanity	0°C~35°C (32°F~95°F) 20~80% -10°C~50°C (14°F~122°F) 20~80%

Troubleshooting

Symptom	Corrective actions
No power	<ul style="list-style-type: none"> • Make sure the LCD is properly connected. • Make sure the AC power cord is properly connected. • Make sure the AC power is ON, DC power button is ON (Blue LED). • Plug another electrical device (like a radio) to the power outlet to verify that the outlet is supplying the proper voltage.
Poor or no picture	<ul style="list-style-type: none"> • The TV station may be experiencing problems. Try another channel. • The Cable TV signal may be scrambled or encoded. Please contact your local cable operator. • Make sure that connection to other components are correct. • Make sure that setup has been done correctly after connections. • Make sure the correct input is selected and the input signal is compatible.
Unusual, pale or inaccurate color occurs.	<ul style="list-style-type: none"> • Make sure that the video cable is properly connected. • The image will become blurred in a bright room. • Refer to User Guide and adjust the brightness, contrast, saturation and color. • Check the input signal settings.
There is no sound.	<ul style="list-style-type: none"> • Refer to User Guide and check that your audio connections are correct. • The Mute button may be pressed, press this button once again. • Check volume settings to see if the volume of your TV is set to the minimum value. • Press the Volume+ (increase) button on the remote control. Make sure that the batteries are properly inserted.
The remote control does not function.	<ul style="list-style-type: none"> • Refer to User Guide and make sure that the batteries are properly inserted. • The battery power may be inadequate or exhausted. Please replace the batteries with new ones. • Is there fluorescent lighting on the accessory of the remote sensor? • The infrared beam from the remote control is blocked. Be sure that the path is unobstructed, and the remote control is over against the remote sensor. • Press the Power button on the remote control to see if the TV is turned on. • Press the Menu button on the remote control to see if the menu is displayed in the screen. • Press only one button each time, and this button will implement the required operation.

The product does not work.	<ul style="list-style-type: none"> • The external influences such as lightning or static electricity will result in failure to work properly. In this case, turn on the power of LCD TV and then perform the operation, or disconnect the AC power cord for 1-2 minutes, and then re-plug the power cord.
The power is cut off suddenly.	<ul style="list-style-type: none"> • You have set the sleep timer previously? • There is no signal in PC mode or HDMI mode? • The internal temperature of this product rises. Please take away the items that block the ventilation hole. Clean as necessary.
Can not receive the cable TV.	<ul style="list-style-type: none"> • The cable TV is connected improperly, or not connected. Please check all cable connections. • Cable TV service is interrupted. Please contact your cable service operator.
Images are cropped / with sidebar screen.	<ul style="list-style-type: none"> • Is the image position correct? • Are the screen mode adjustments such as the image size correct? • Press the Image format button on the remote control repeatedly to see if you can get necessary images.

Customer Support

For technical support or product service, see the table below or contact your reseller.

Note: You will need the product serial number.

Country/ Region	Web Site	Telephone	Email
China	www.viewsonic.com.cn	800 820 3870	service.cn@cn.viewsonic.com
Hong Kong	www.hk.viewsonic.com	+852-310-22-900	service.cn@cn.viewsonic.com

Declaration of RoHS Compliance

The toxic and hazardous substances or elements of this product are shown as below:

Name of Components	Hazardous substances or elements					
	Lead (Pb)	Mercury (Hg)	Cadmium (Cd)	Hexavalent Chromium (Cr ⁶⁺)	Polybrominated biphenyls (PBB)	Polybrominated diphenyl ethers (PBDE)
Outer Casing	○	○	○	○	○	○
Circuit Board*	×	○	○	○	○	○
Power Cord / Adaptor	×	○	○	○	○	○
External Signal Cable	×	○	○	○	○	○
LCD Panel	×	×	×	○	○	○
Remote Control (battery included)	○	○	○	○	○	○
<p>* : The circuit board components include printed circuit board and other parts, such as resistors, capacitors, IC, and connectors, etc.</p> <p>○ : To indicate the amount of toxic and hazardous substance in all homogenous materials of the component does not exceed what indicated in "The Limitation Standard of Toxic and Hazardous Substances in Electronic Information Product".</p> <p>× : To indicate the amount of toxic and hazardous substance has exceeded what indicated in "The Limitation Standard of Toxic and Hazardous Substances in Electronic Information Product" in at least one of the homogenous materials of the component. However, the component still confirms to the EU RoHS directive (2002/95/EC), and is exempted from it.</p>						

Limited Warranty

VIEWSONIC® LCD TV

What the warranty covers:

ViewSonic warrants its products to be free from defects in material and workmanship, under normal use, during the warranty period. If a product proves to be defective in material or workmanship during the warranty period, ViewSonic will at its sole option repair or replace the product with a like product. Replacement product or parts may include remanufactured or refurbished parts or components.

How long the warranty is effective:

ViewSonic LCD TV are warranted for one (1) year for all parts excluding the light source and one (1) year for labor from the date of the first customer purchase.

Who the warranty protects:

This warranty is valid only for the first consumer purchaser.

What the warranty does not cover:

1. Any product on which the serial number has been defaced, modified or removed.
2. Damage, deterioration or malfunction resulting from:
 - a. Accident, misuse, neglect, fire, water, lightning, or other acts of nature, unauthorized product modification, or failure to follow instructions supplied with the product.
 - b. Repair or attempted repair by anyone not authorized by ViewSonic.
 - c. Any damage of the product due to shipment.
 - d. Removal or installation of the product.
 - e. Causes external to the product, such as electric power fluctuations or failure.
 - f. Use of supplies or parts not meeting ViewSonic's specifications.
 - g. Normal wear and tear.
 - h. Any other cause which does not relate to a product defect.
3. Any product exhibiting a condition commonly known as "image burn-in" which results when a static image is displayed on the product for an extended period of time.
4. Removal, installation, and set-up service charges.
5. When you mount it on the wall, the following must be noticed:
 - a. The accessories attached with this product are applicable for this product only.
 - b. When the product is mounted on the wall, holes and fixed screws will remain in the wall body.
 - c. Wall face may discolor when this product has been mounted on the wall for a long time.

How to get service:

1. For information about receiving service under warranty, contact ViewSonic Customer Support. You will need to provide your product's serial number.
2. To obtain warranted service, you will be required to provide (a) the original dated sales slip, (b) your name, (c) your address, (d) a description of the problem, and (e) the serial number of the product.
3. Take or ship the product freight prepaid in the original container to an authorized ViewSonic service center or ViewSonic.
4. For additional information or the name of the nearest ViewSonic service center, contact ViewSonic.
5. Implied warranty limitations: In addition to the warranty described here, ViewSonic disclaims any other warranties, express or implied, including the implied warranties of merchantability and fitness for a particular purpose.

Limitation of implied warranties:

There are no warranties, express or implied, which extend beyond the description contained herein including the implied warranty of merchantability and fitness for a particular purpose.

Exclusion of damages:

ViewSonic's liability is limited to the cost of repair or replacement of the product. ViewSonic shall not be liable for:

1. Damage to other property caused by any defects in the product, damages based upon inconvenience, loss of use of the product, loss of time, loss of profits, loss of business opportunity, loss of goodwill, interference with business relationships, or other commercial loss, even if advised of the possibility of such damages.
2. Any other damages, whether incidental, consequential or otherwise.
3. Any claim against the customer by any other party.

Effect of state law:

This warranty gives you specific legal rights, and you may also have other rights which vary from state to state. Some states do not allow limitations on implied warranties and/or do not allow the exclusion of incidental or consequential damages, so the above limitations and exclusions may not apply to you.

Sales outside the U.S.A. and Canada:

For warranty information and service on ViewSonic products sold outside of the U.S.A. and Canada, contact ViewSonic or your local ViewSonic dealer.

The warranty period for this product in mainland China (Hong Kong, Macao and Taiwan Excluded) is subject to the terms and conditions of the Maintenance Guarantee Card.

For users in Europe and Russia, full details of warranty provided can be found in www.viewsoniceurope.com under Support/Warranty Information.

4.3: ViewSonic LCD TV Warranty

LTV_LW01 Rev. 1C 06-25-07



Free Manuals Download Website

<http://myh66.com>

<http://usermanuals.us>

<http://www.somanuals.com>

<http://www.4manuals.cc>

<http://www.manual-lib.com>

<http://www.404manual.com>

<http://www.luxmanual.com>

<http://aubethermostatmanual.com>

Golf course search by state

<http://golfingnear.com>

Email search by domain

<http://emailbydomain.com>

Auto manuals search

<http://auto.somanuals.com>

TV manuals search

<http://tv.somanuals.com>