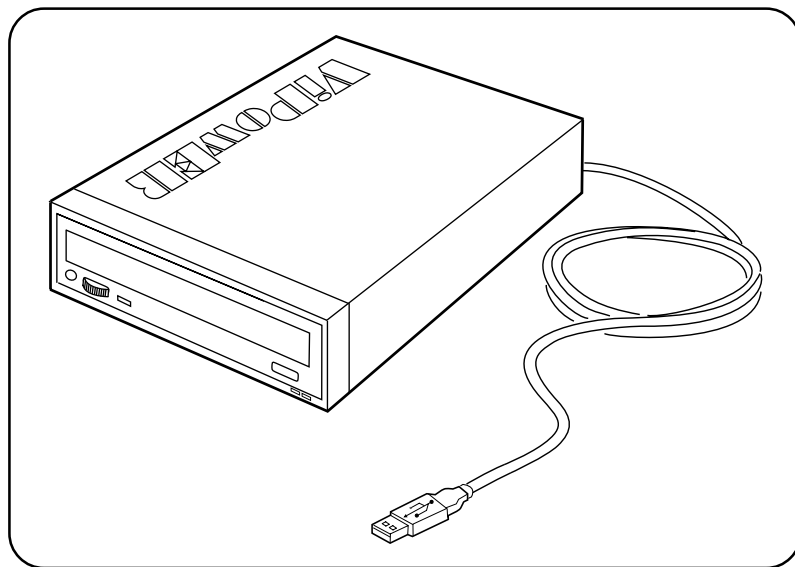


# VPM-62289

## Ture Metal USB 2.0 and FireWire1394 Combo External Enclosure

for 5.25-inch CD/DVD ROM, CD/DVD-RW,  
DVD+RW and 3.5-inch HDD



## User's Manual

**VIPower**

*We are your DataBridge™*

<http://www.vipower.com>



## PROPRIETARY NOTICE

We make no warranty of any kind with regards to this material, including, but not limited to, the implied warranties of merchantability and fitness for a particular purpose. We shall not be liable for errors contained herein or for incidental or consequential damages in connection with the furnishing, performance, or use of this material.

This document contains proprietary information which is protected by copyright. All rights are reserved. No part of this document may be photocopied, reproduced, or translated to another language without our written consent. The information contained in this document is subject to change without notice.



## TRADEMARKS

MS-DOS, Windows, Windows 98SE/NT/2000/Me/XP are trademarks of Microsoft Corporation.

PC is a trademark of International Business Machines Corporation.

Macintosh and Mac are trademarks of Apple Computer, Inc.

All of the third-party brands and names are the property of their respective owners.

VPM-62289 -Ture Metal USB 2.0 and FireWire1394 Combo External Enclosure for 5.25-inch CD/DVD ROM, CD/DVD-RW, DVD+RW and 3.5-inch HDD User's Manual

Rev. 1.0 Date: October 27, 2004

© Copyright 2004 ViPowER, Inc. All rights reserved.





## Contents

<b>1. Introduction .....</b>	<b>4</b>
1-1 Features and Specifications .....	5
VPM-62289 External Enclosure .....	5
Operating Systems .....	5
1-2 Package Checklist .....	6
<b>2. Hardware .....</b>	<b>7</b>
2-1 Components .....	7
2-2 Back panel and Connectors .....	8
2-3 PCB .....	8
2-4 LED Indicators .....	8
2-5 Installation .....	9
Assembly with one 5.25-inch IDE device .....	9
Assembly with one 3.5-inch HDD .....	12
2-6 Connecting the VPM-62289 to a Computer .....	16
<b>3. Driver Installation .....</b>	<b>19</b>
3-1 Windows 98SE .....	19
3-2 Windows Me/2000/XP .....	21
3-3 Mac OS .....	22
3-4 Linux 2.4 .....	22
<b>4. Using the VPM-62289 External Enclosure .....</b>	<b>23</b>
4-1 Connecting the VPM-62289 to Computer .....	23
4-2 Disconnecting the VPM-62289 from Computer .....	26
Windows 98 .....	26
Windows Me/2000/XP .....	26
Mac OS .....	27
<b>5. Partitioning the External USB 2.0 Hard Disk .....</b>	<b>28</b>
5-1 Partitioning Under Windows 98/ME .....	28
5-2 Partitioning under Windows 2000/XP .....	31

## 1. Introduction

Congratulations on your purchase of the VPM-62289/Ture Metal USB 2.0 and FireWire1394 Combo External Enclosure for 5.25-inch CD/DVD ROM, CD/DVD-RW, DVD+RW and 3.5-inch HDD. It is the perfect solution for data backup, transporting data, and adding more storage space to USB and/or FireWire-equipped computers. The VPM-62289 enables *hot-swapping* and *Plug-n-Play* compatibility with any 5.25-inch device. The hot-swapping and Plug-n-Play features give you a great convenience on the road, where it can be connected and disconnected without powering down your system.

The VPM-62289 is also a high-quality combo external enclosure for connecting USB 2.0 and/or FireWire 1394 to 5.25-inch devices. Its auto-detect feature automatically determines which type of interface (USB or FireWire) you are using when you connect the device to your computer. When both of USB 2.0 and FireWire 1394 are detected, the VPM-62289 will select USB 2.0 as a Main Active Device. It is USB 2.0/1.1 compatible and works with any USB-equipped PC, notebook or Mac computer. And It is FireWire 1394 compatible and works with any FireWire-equipped PC, notebook or Mac computer.

Available in both USB and FireWire interface models, the VPM-62289 is designed specifically to handle the high heat generated by the latest high-speed hard disk drives. Since excessive heat can be a major cause of hard disk drive failure, the case is made of true metal to aide in heat dissipation.

### **Note:**

- 1). In order to reach USB 2.0 480 Mbps speed, your computer must have a host adapter card with USB 2.0 support. The VPM-62289 will auto detect the speed of your USB port and adjust between USB 1.0 and USB 2.0 speed.**
- 2). In order to reach FireWire 1394 100/200/400 Mbps speed, your computer must have a FireWire 1394 connector. The VPM-62289 will auto detect the speed of your FireWire 1394 port and adjust between Firewire IEEE 1394-1995 and IEEE P1394a speed.**

## 1-1 Features and Specifications

### VPM-62289 External Enclosure

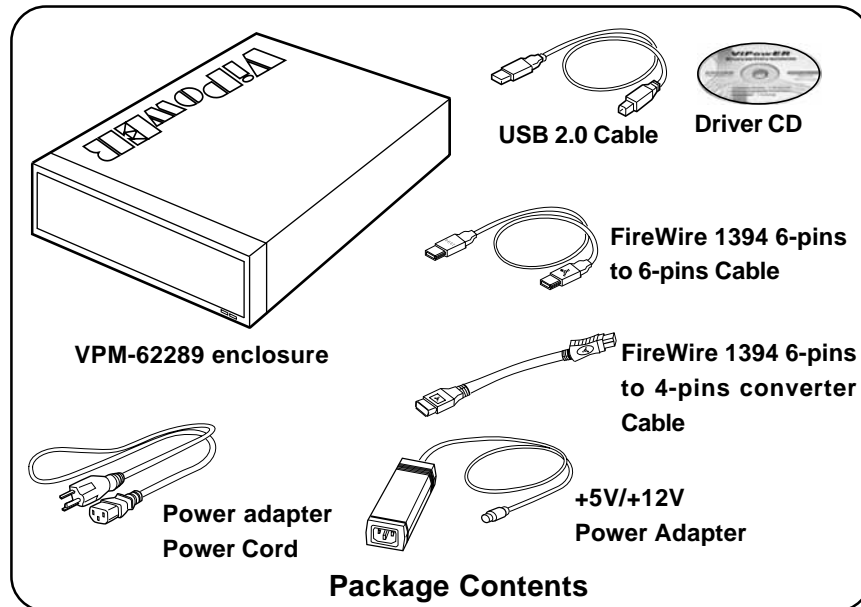
- Fully compatible with both USB 2.0 and FireWire 1394 standard specifications. Built-in one USB port and two FireWire ports. Works with USB-equipped and/or FireWire 1394-equipped PC, Notebook and Mac computers.
- Supports high-speed USB 2.0 interface transfer rates up to 480 Mbps on Windows 98SE/ME/2000/XP, and Mac OS X. (Your system must have USB 2.0 host port(s) and USB 2.0 driver installed for the VPM-62289 to perform at USB high speed)
- USB 2.0/IDE compliant
  - Integrated USB transceiver
  - High-speed (480 Mbps) and full speed (12 Mbps) support
  - USB suspend/resume, remote wake up support
- Supports ATA PIO modes 0-4: ATA interface operation mode is automatically selected during device initialization or manually programmed with configuration data
- Supports Ultra DMA modes 0-4
- Supports 48-bit LBA (large HDD), when the VPM-62289 connects with one 3.5-inch HDD
- Supports FireWire IEEE 1394-1995 and IEEE P1394a transfer rates up to 100,200 and 400 Mbps. (Your system must have FireWire 1394 host port(s) installed for the VPM-62289 to perform at FireWire 1394 high speed)
- Enabling native hardware Hot-Swap & Plug-n-Play supports to your IDE devices
- Fully compatible with 5.25-inch devices (CD-ROM, CD-RW, DVD-ROM, DVD+RW, DVD-RW).
- Power and drive activity LEDs
- Drive enclosure made of full true metal to aid in heat dissipation (Superb heat dissipation)

### Operating Systems

- Windows Me/2000/XP – no drivers required (software drivers for Windows 98SE included)
- Mac OS 9.0 or later – no drivers required
- Linux 2.4 – no drivers required

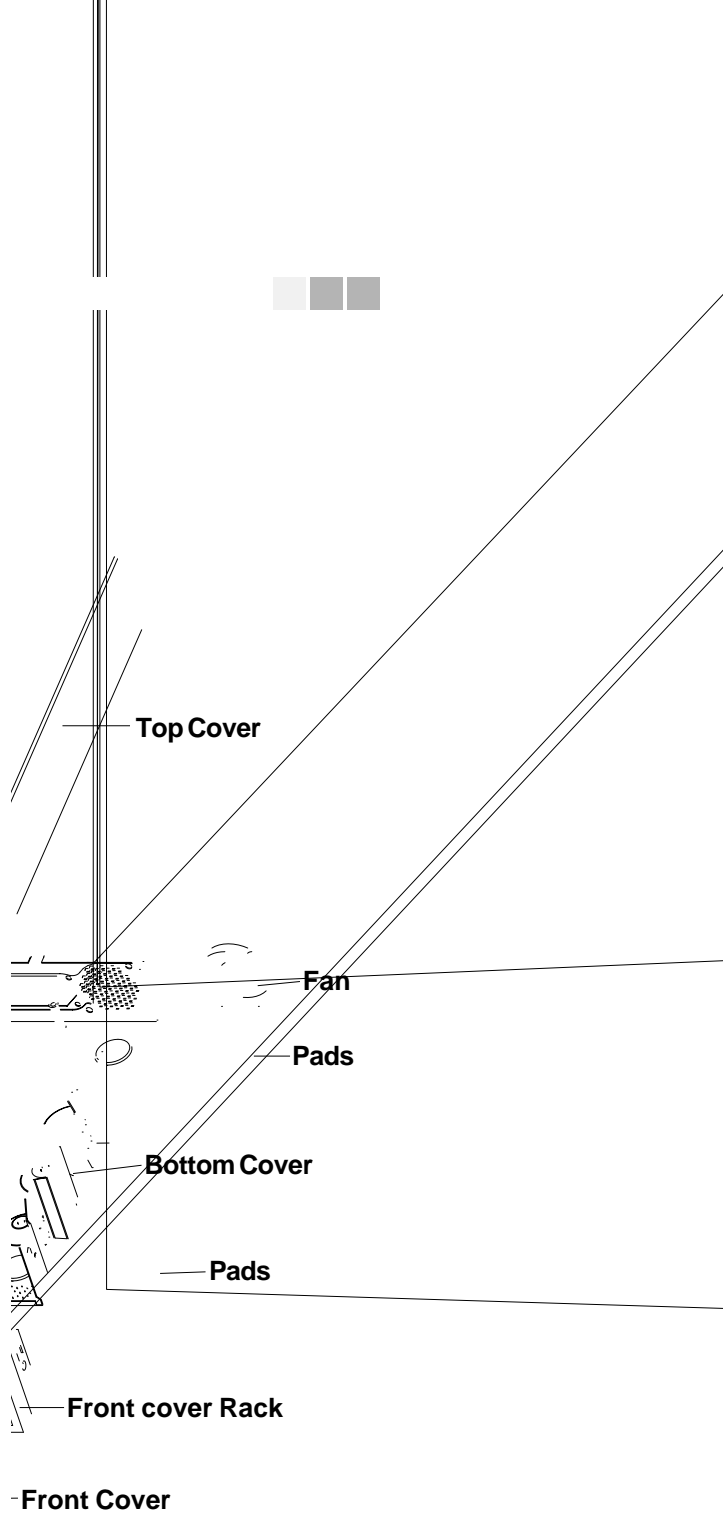
## 1-2 Package Checklist

The VPM-62289 / True Metal USB 2.0+FireWire 1394 5.25-inch CD/DVD ROM combo External Enclosure package contains the following items:



1. VPM-62289 external enclosure
2. One USB 2.0 cable
3. One FireWire 1394 6-pins to 6-pins cable
4. One FireWire 1394 6-pins to 4-pins converter cable
5. One +5V/+12V power adapter
6. One power adapter power cord
7. Package of screws
8. One "Drivers and Utility Installation" CD
9. VPM-62289 User's Manual

**If any of these items are missing or damaged, please contact your dealer or sales representative for assistance.**



VPM-62289 USER MANUAL





## 2-5 Installat

The follo  
5.25" de  
enclos

- 1.
- 2.

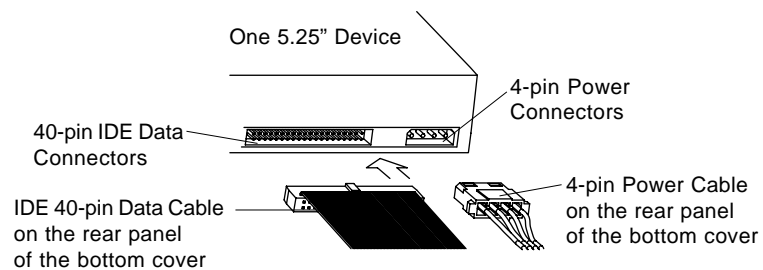
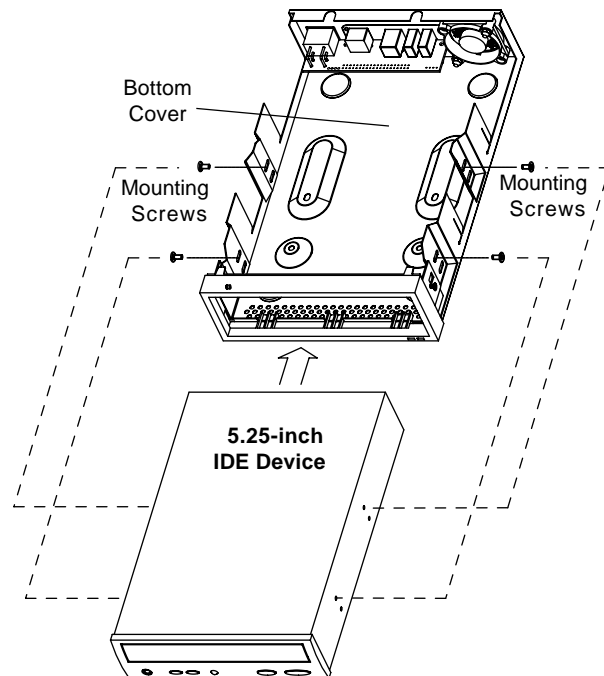
A s

A



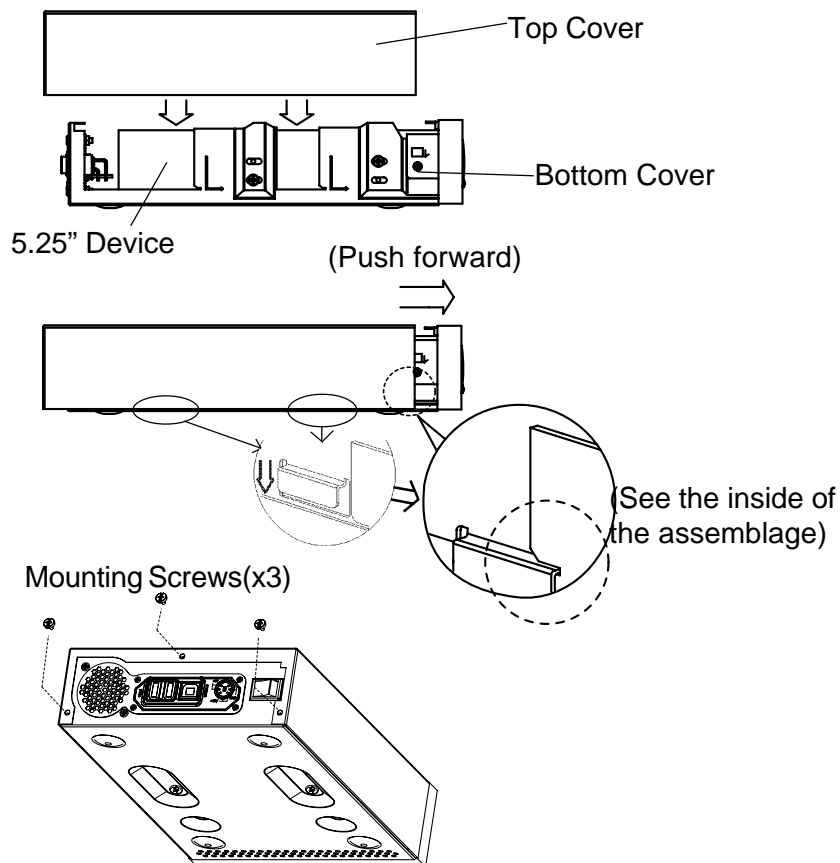
**Step2.**

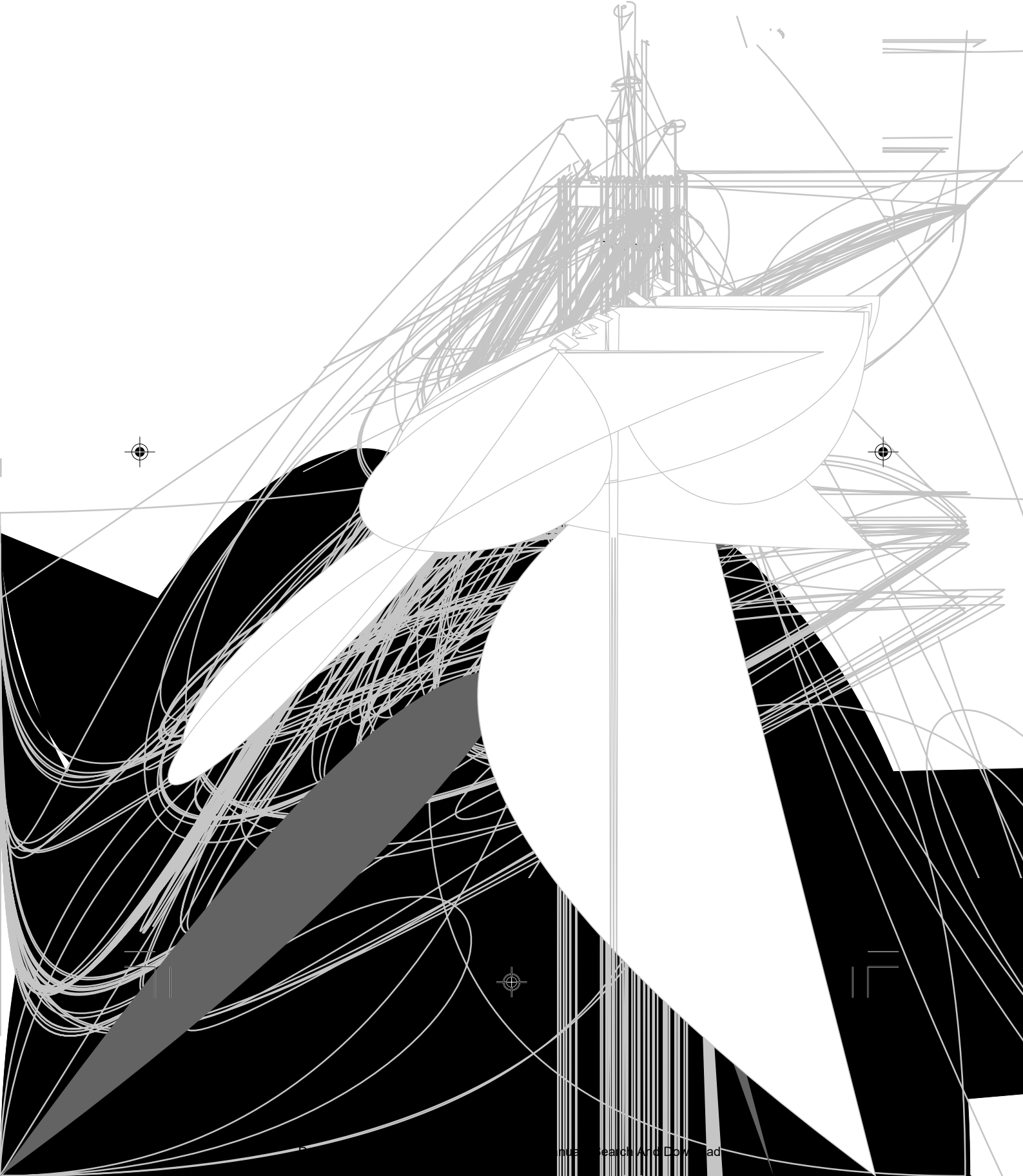
- a) Place the 5.25" IDE device in the bottom enclosure cover. Align the 5.25" IDE device mounting holes with the mounting holes on the bottom cover and secure with four screws (two on each side).
- b) Attach the IDE 40-pin data cable from the rear panel of the bottom cover to the 40-pin connector on the back of the 5.25" device. To ensure pin-1 to pin-1 connection, orient the cable so the colored stripe edge is closest to the power connector.
- c) Attach the 4-pin power cable from the rear panel of the bottom cover to the 4-pin connector on the back of the 5.25" device.

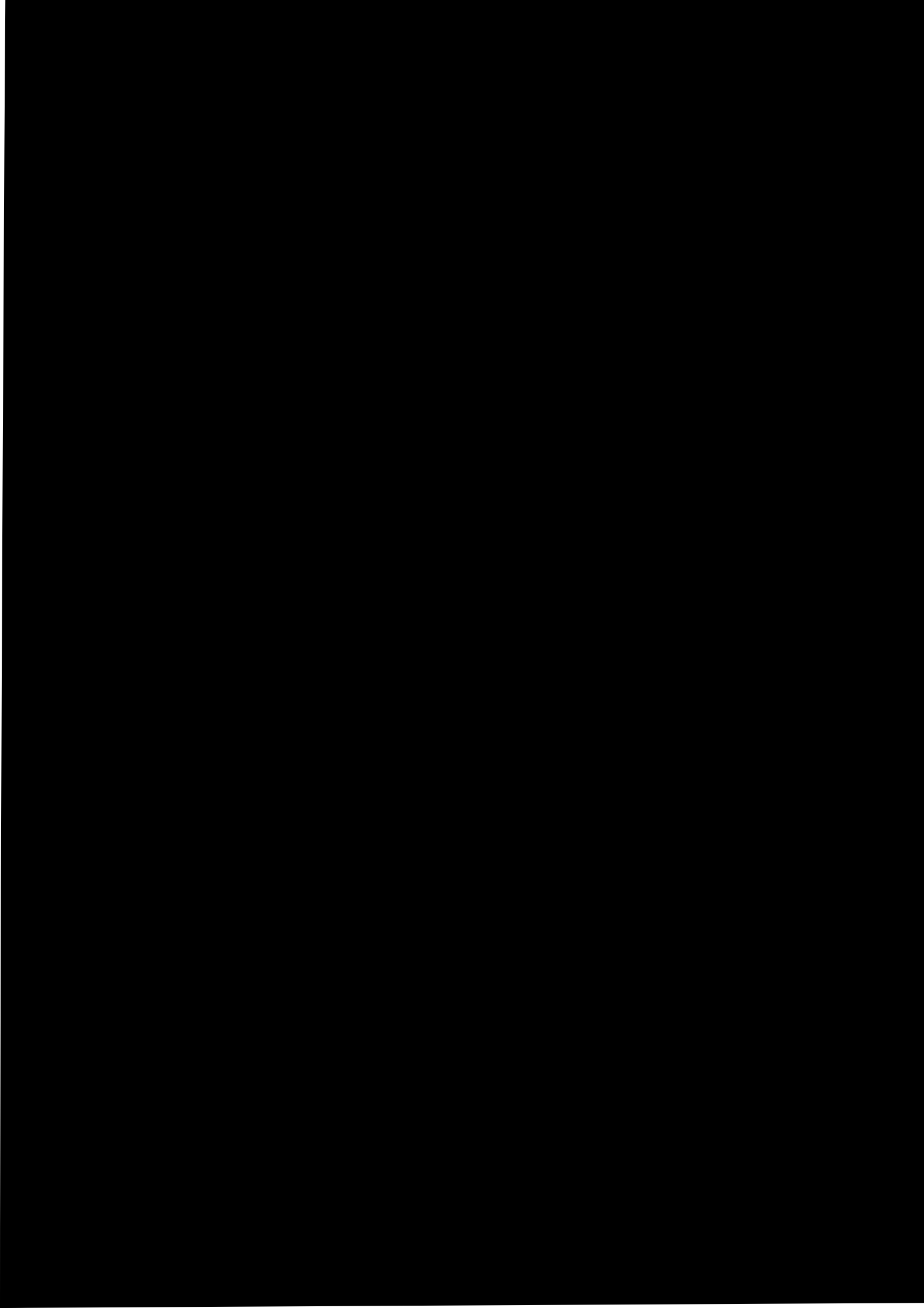


Step 3.

- a) Replace the top cover over the drive assembly, making sure the side groove guide of the top cover slides within the side groove guide of the bottom cover.
- b) Slide the top cover forward until it fits tight within the front groove guide.
- c) Make sure the top and bottom groove guides are matched and form a tight fit.
- d) Replace the three screws which were removed in Step 1 from the back of the enclosure.





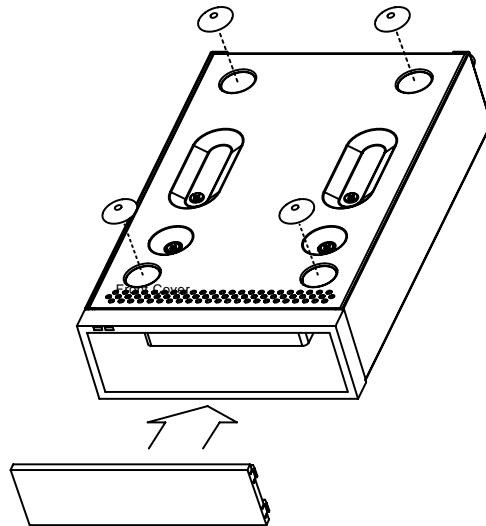




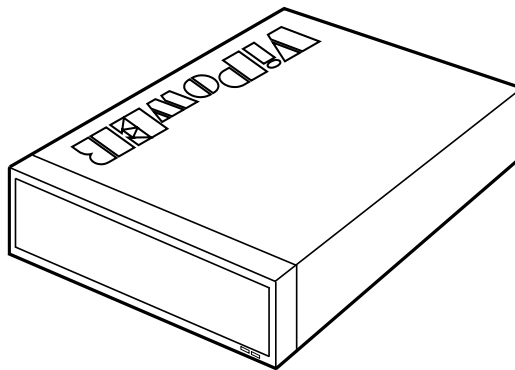


**Step4.**

Place the front cover into the drive assembly, and adhere the four pads on the bottom of the drive assembly.



The installation is complete and the VPM-62289 external enclosure is now ready to use.



## 2-6 Connecting the VPM-62289 to a Computer

### Computer Requirements

- USB and/or FireWire equipped notebook or desktop computer
- Windows 98SE/Me/2000/XP, or Mac OS 9.0 or above

***Proceed with the following steps to connect the VPM-62289 to your computer.***

#### Step 1:

Turn your computer ON.

#### Step 2:

Connect the smaller/square USB connector end of the USB cable into the USB Port on the VPM-62289 External Enclosure.

#### Or

Connect one end of the FireWire Cable to one of the two FireWire ports on VPM-62289 External Enclosure.

If your computer Only has one the 4-pins FireWire connector, use the FireWire 4-pins to 6-pins converter cable. Connect the 6-pins connector of the Converter Cable to the FireWire Cable, then connect the 6-pin connector to the VPM-62289 External Enclosure.

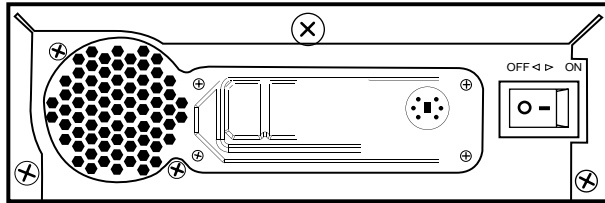
#### **Note:**

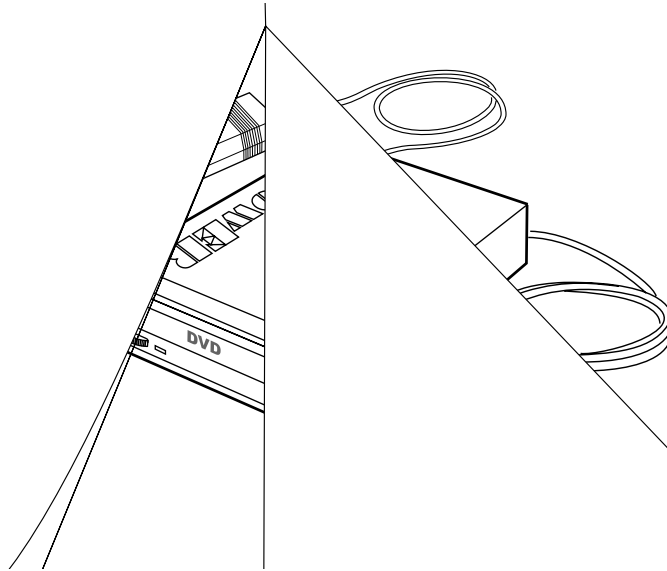
**Do NOT connect the USB and FireWire Cables to the VPM-62289 External Enclosure at the same time. The damage will result in the VPM-62289 External Enclosure.**

#### Step 3:

Connect the Power Adapter Power Cord to the +5V/+12V Power Adapter. Then, plug one end of the power cord into an AC power outlet, and the other end to the power inlet of the VPM-62289 External Enclosure.







### 3. Driver Installation

After completing the hardware installation, refer to the following driver installation instructions for the operating system you are using.

#### 3-1 Windows 98SE

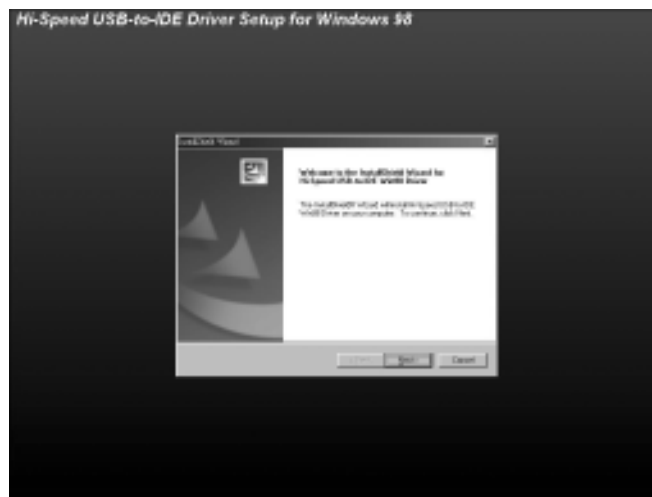
If this is the first time using your VPM-62289 USB 2.0 & 1394 Combo External Enclosure, you must first run the [SETUP.EXE] from the “USB Drivers and Utility Installation” CD after connecting it to your computer. Then proceed with the following:

Step 1.

Connect your VPM-62289 External Enclosure to your computer.

Step 2.

Insert the “USB Drivers and Utility Installation” CD into your CD-ROM device assembled with your computer. The autorun screen “Hi-Speed USB-to-IDE Driver Setup for Windows 98” will appear. Click [Next].



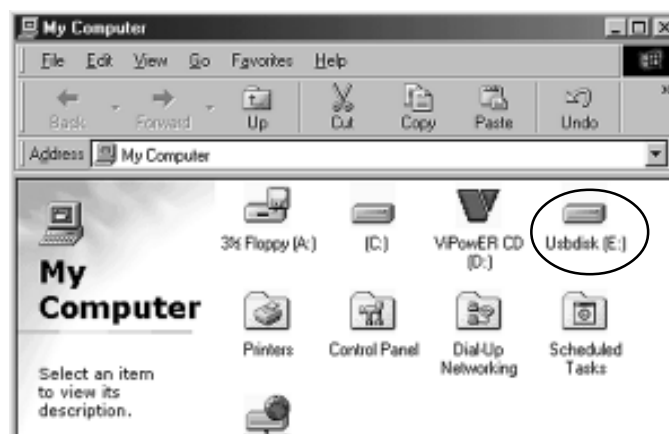
**Step 3.**

The program will automatically run the installation process. Then the finish screen will appear, please click [FINISH] and the installation is complete.



**Step 4.**

You can now connect your VPM-62289 external enclosure to the computer. Double-click on [My Computer]. A new drive [Usbdisk] icon should have been added. This identifies the USB 2.0 External Drive you just installed.



Step 5.

A green *Unplug* or *Eject* hardware icon will also be added in the system tray.

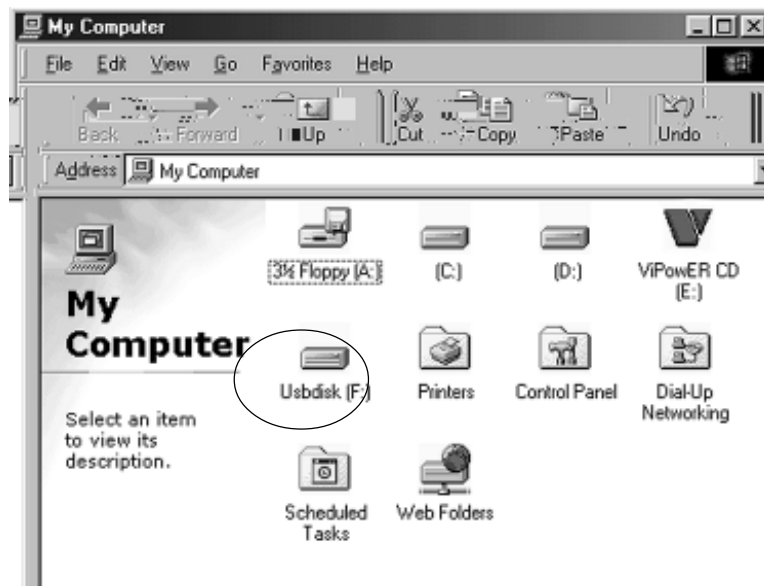


**Note:**

If a new drive does not appear in [My Computer], it means this USB 2.0 External Drive is a brand new hard disk drive which does not contain a partition. Please refer to Chapter 5 “Partitioning an External USB 2.0 Hard Disk” to prepare your USB 2.0 External Disk.

### 3-2 Windows Me/2000/XP

After you connect the VPM-62289 external enclosure with your computer, the system will detect the VPM-62289 External Enclosure automatically. A new drive [Usbdisk] icon for the VPM-62289 External Enclosure should have been added.





**Notes:**

- **This VPM-62289 External Enclosure is supported by the Mass Storage Device Driver in Windows Me/2000/XP operating systems. You do not need to install any driver *after you finish installing the Windows 2000 Service Pack 4/Windows XP Service Pack 1 in the Windows operating system.***
- **If a new drive does not appear in [My Computer], it means this USB 2.0 External Drive is a brand new hard disk drive which does not contain a partition. Please refer to Chapter 5 “Partitioning an External USB 2.0 Hard Disk” to prepare your USB 2.0 External Disk.**

### **3-3 Mac OS**

The VPM-62289 USB 2.0 & FireWire 1394 Combo External Enclosure is supported by Mac OS 9.X or above Mass Storage Support.

When you plug the VPM-62289 external enclosure into a USB port of your Mac computer, the mass storage volume should automatically appear on the desktop in a few seconds.

**Notes:**

- **This VPM-62289 External enclosure is supported by the Mac OS 9.X or above Mass Storage Device Driver. You do not need to install any driver.**

### **3-4 Linux 2.4**

The VPM-62289 External Enclosure is supported by Linux Mass Storage Support.

When you plug the VPM-62289 external enclosure into a USB port of your computer, the mass storage volume should automatically appear on the desktop in a few seconds.

**Notes:**

- **This VPM-62289 External enclosure is supported by the Linux Mass Storage Device Driver. You do not need to install any driver.**

## 4. Using the VPM-62289 External Enclosure

After the first installation of the driver, you can thereafter connect or disconnect the VPM-62289 External Enclosure without powering off the computer.

Please follow the steps below when using the VPM-62289.

### 4-1 Connecting the VPM-62289 to Computer

Step 1:

Turn your computer ON.

Step 2:

Connect the smaller square USB connector end of the USB cable into the USB Port on the VPM-62289 External Enclosure.

Or connect the FireWire connector end of the FireWire 6-pins to 6-pins cable into one of the two FireWire ports on VPM-62289 External Enclosure.

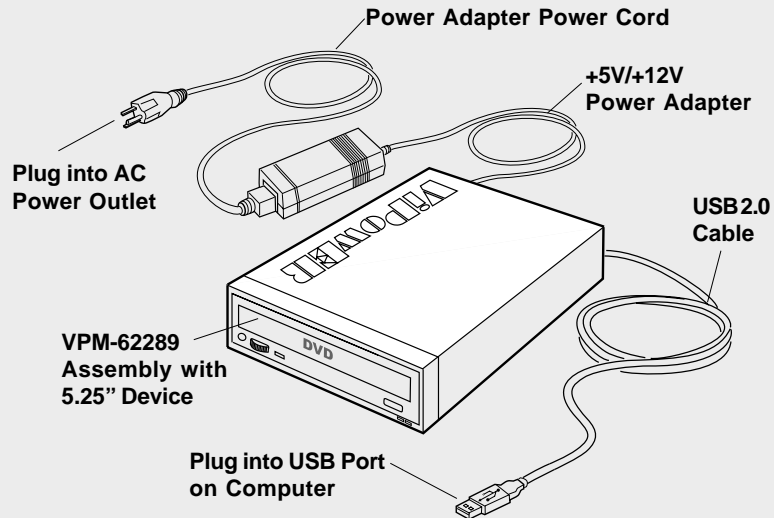
If Only the FireWire 4-pins port is located on your computer, please first connect the FireWire 4-pins to 6-pins converter cable and the FireWire 6-pins to 6-pins cable. Then connect one FireWire 6-pins connector of the FireWire 6-pins to 6-pins cable into the FireWire port on the VPM-62289 external enclosure, and plug the FireWire 4-pins connector of the FireWire converter cable into the FireWire 4-pins port on your computer.

**Note:**

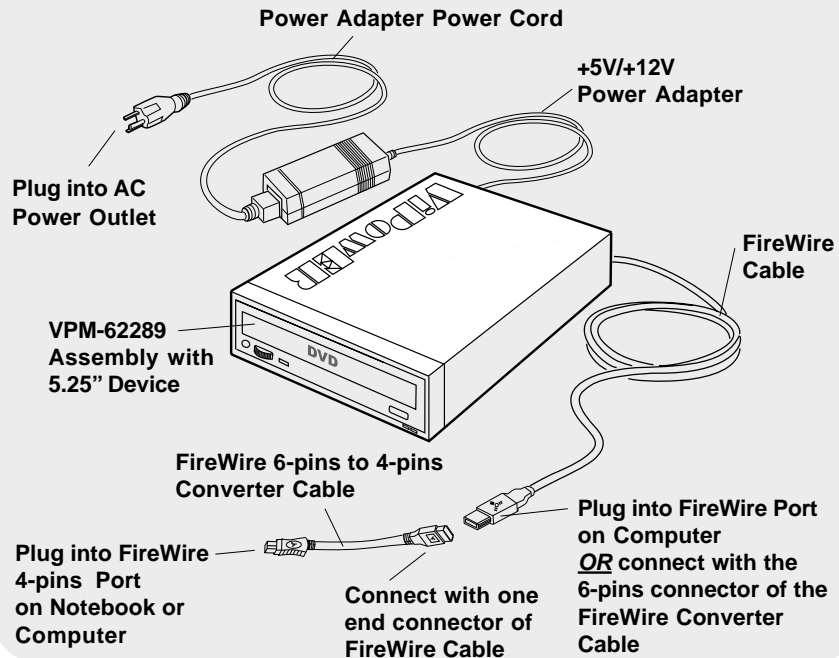
**Do NOT connect the USB and FireWire Cables to the VPM-62289 external enclosure at the same time. The damage will result in the VPM-62289 external enclosure.**



### VPM-62289 Connects to USB Port on computer



### VPM-62289 Connects to FireWire Port on computer







**Step 3:**

Connect the Power Adapter Power Cord to the +5V/+12V Power Adapter. Then, plug one end of the power cord into an AC power outlet, and the other end to the power inlet of the VPM-62289 External Enclosure.

**Step 4:**

Power ON your VPM-62289 External Enclosure. The LED indicators on the external enclosure should light after a slight delay.

**Step 5:**

Plug the second USB connector end of the USB cable into a USB port on your computer.

Or Plug the second FireWire Connector end of the FireWire cable into a FireWire port on your computer.

The VPM-62289 is ready to use.



## 4-2 Disconnecting the VPM-62289 from Computer

### Windows 98

#### Step 1:

Double-click the green *Unplug* or *Eject* hardware icon in the system tray and click the drive that you want to remove [USB Mass Storage Device] and click on [STOP].



#### Step 2:

When the system prompts 'Confirm device to be stopped', click [OK]. When the green arrow icon disappears, you may safely unplug the VPM-62289 External Enclosure from the computer.

#### Step 3:

Switch the power on the VPM-62289 External Enclosure OFF.

### Windows Me/2000/XP

#### Step 1:

Double-click on the *Unplug* or *Eject* hardware icon in the system tray. A dialog box appears.



#### Step 2:

Highlight the [USB Mass Storage Device] in the dialog box, click [STOP]. Choose the VPM-62289 External Enclosure that you want to disconnect, then click [STOP] again on the next screen.

#### Step 3:

When the system prompts "You may safely remove this device", disconnect the VPM-62289 External Enclosure from the computer and switch the power OFF.



### Mac OS

When disconnecting your VPM-62289 USB 2.0 & FireWire 1394 Combo External Enclosure from a Mac computer, first close all windows and quit all running applications that are stored on the VPM-62289 External Enclosure. Next, drag the USB 2.0 External Drive's icon into the "Trash" to dismount it from the Desktop. You can now safely disconnect the USB 2.0 External Drive from the USB port.

#### **CAUTION!!**

**Do not unplug the USB 2.0 External Drive from the USB port of your computer or HUB while copying files to/from the device or while files or applications stored on the USB 2.0 External Drive are in use.**

**DOING SO MAY RESULT IN LOSS OF DATA.**



## 5. Partitioning the External USB 2.0 Hard Disk

### 5-1 Partitioning Under Windows 98/ME

Boot-up the computer into Windows 98/ME. Next, with the power ON, connect your Hard Disk Drive installed in the VPM-62289 external enclosure to the USB port.

There are two methods of partitioning and formatting your hard drive.

#### **Method 1**

##### Step 1:

Click on [Start], select [Control Panel] in [Settings], double-click [System] and open [Hard disk controllers].

##### Step 2:

You should see the Hard Disk installed in the VPM-62289 external enclosure you just connected. Highlight the USB 2.0 Hard Disk and choose [Properties], select [Settings]. Set the USB 2.0 Hard Disk to [Removable] and reboot the system.

##### Step 3:

After restarting the system, a removable HDD is added to [My Computer]. Choose the removable HDD and click the *right* mouse button. Select [Format] to format the USB 2.0 Hard Disk Drive.

**You can only set the Hard Disk Drive installed in the VPM-62289 external enclosure to one partition using this method.**

## **Method 2**

### **Step 1:**

Go into MS-DOS mode by clicking on [Start], then choose the [MS-DOS Prompt] in [Programs].

### **Step 2:**

At the DOS prompt, type [FDISK] and press [Enter].

### **Step 3:**

If FDISK quits without any message, go back to the Windows 98 screen, disconnect the Hard Disk installed in the VPM-62289 external enclosure and reboot the computer. Reconnect the HDD and go back to Step 1 to proceed.

### **Step 4:**

For the first screen of FDISK, answer the question:

Do you want to enable large disk support?

[Y] if you want to build a partition larger than 2GB.

[N] if you want to build a partition small than 2GB.

### **Step 5:**

The next screen is [FDISK OPTIONS]. Type [5] to select the disk.



**IMPORTANT:**

You must type [5] in this screen to change the current fixed disk drive to build a partition. The *default* fixed drive set by FDISK is your internal hard disk drive.

**WARNING!!**

*If you don't change the fixed disk drive to the USB 2.0 Hard Disk, the data of your internal hard disk will be destroyed!*

**Step 6:**

In the [Change Current Fixed Disk Drive], type the disk drive number that is assigned to the Hard Disk installed in the VPM-62289 external enclosure.

**Step 7:**

Go back to the [FDISK OPTIONS] screen. Now you can create or delete a partition of the Hard Disk installed in the VPM-62289 external enclosure.

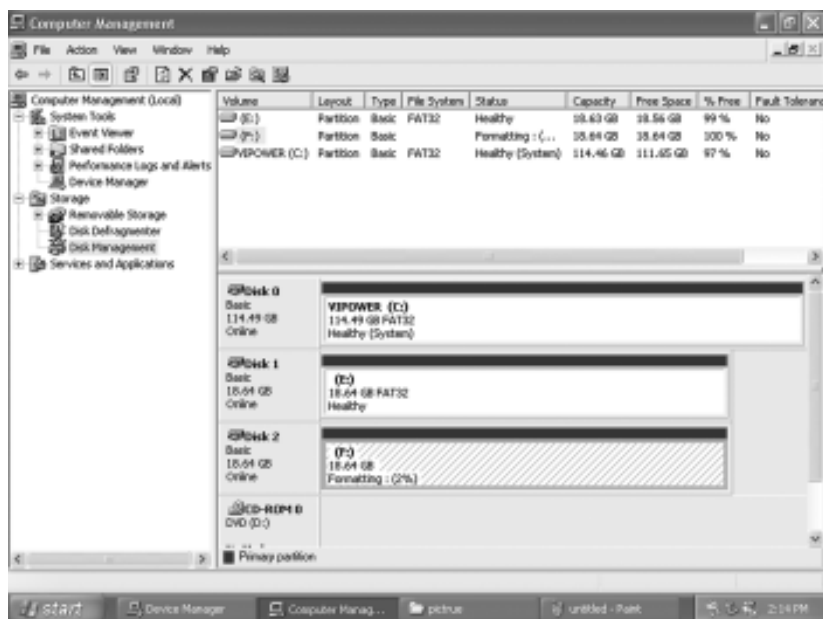
**Step 8:**

After you finish FDISK, go back to the Windows screen, disconnect and then reconnect the Hard Disk installed in the VPM-62289 external enclosure again to activate these changes. Double-click on [My Computer]. The Hard Disk Drive icon that you have now partitioned should be seen.

## 5-2 Partitioning under Windows 2000/XP

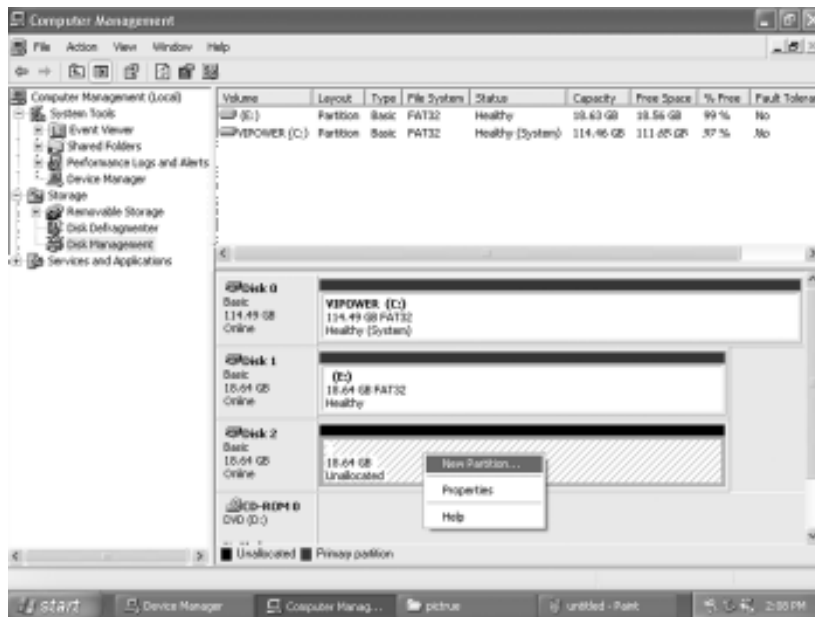
### *Step 1:*

To partition the USB 2.0 Hard Disk Drive installed in the VPM-62289 external enclosure under Windows 2000, connect the VPM-62289 external enclosure to the USB port on your computer. Next, click [Start], select [Control Panel], [Settings], open [Administrative Tools] and double-click [Computer Management].



**Step 2:**

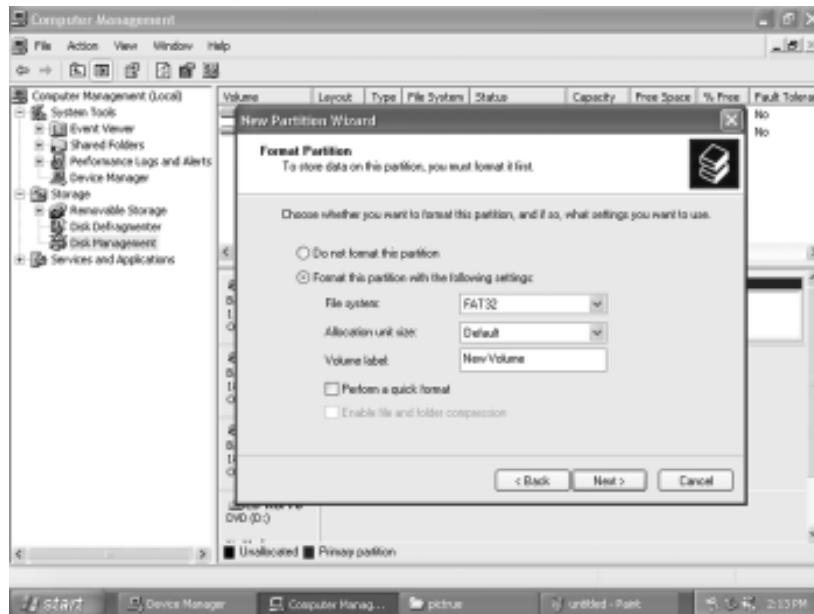
Click on [Disk Management]. All connected disk drives will be listed. Find the USB 2.0 Hard Disk that you added and to the right of the disk, view the status of the partitions of this disk drive. You can create a new or delete an existing partition by right-clicking on this area.





**Step 3:**

Right-click on the partition status area of the USB 2.0 Hard Disk Drive. Click on [Create Partition....] and the “Create partition wizard” will appear.




**Step 4:**

Follow the instructions of the wizard to partition and format your USB 2.0 Hard Disk Drive.

After you have completed the partitioning and formatting of the USB 2.0 Hard Disk Drive installed in the VPM-62289 external enclosure, you can write data to it.



 Printed on recycled paper.



## Free Manuals Download Website

<http://myh66.com>

<http://usermanuals.us>

<http://www.somanuals.com>

<http://www.4manuals.cc>

<http://www.manual-lib.com>

<http://www.404manual.com>

<http://www.luxmanual.com>

<http://aubethermostatmanual.com>

Golf course search by state

<http://golfingnear.com>

Email search by domain

<http://emailbydomain.com>

Auto manuals search

<http://auto.somanuals.com>

TV manuals search

<http://tv.somanuals.com>