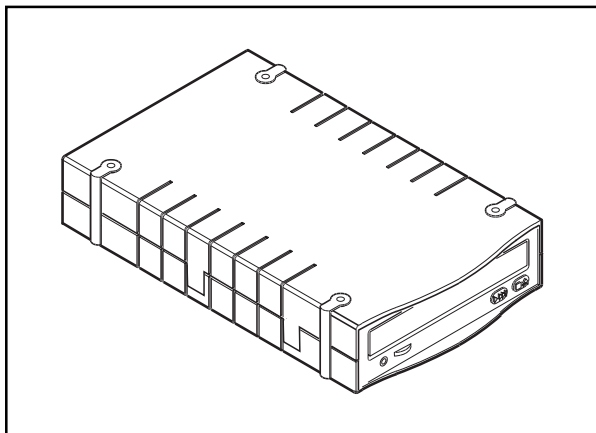


CD-ROM Box Enclosure

Installation Guide



For Models:

VP-6020	VP-6028
VP-6022	VP-6029
VP-6023	VP-6048
VP-6024	VP-6049

ViPower
We are your DataBridge™
<http://www.vipower.com>

Table of Contents

1-1 Introduction	1
1-1.1 CD-ROM Box Enclosure Features	1
1-1.2 ATA/ATAPI Device Compatibility	1
1-1.3 Unpacking Your CD-ROM Box	1
2-1 Installation	2
2-1.1 Disassemble the CD-ROM Box	2
2-1.2 Assemble CD-ROM Box with CD-ROM Drive	3
3-1 Operation with a Docking Kit	5
3-1.1 Disconnecting the CD-ROM Box	6

PROPRIETARY NOTICE

ViPower Inc. makes no warranty of any kind with regard to this material, including, but not limited to, the implied warranties of merchantability and fitness for a particular purpose. ViPower Inc. shall not be liable for errors contained herein or for incidental or consequential damages in connection with the furnishing, performance, or use of this material.

This document contains proprietary information which is protected by copyright. All rights are reserved. No part of this document may be photocopied, reproduced, or translated to another language without the written consent of ViPower Inc. The information contained in this document is subject to change without notice.

PC is a trademark of International Business Machines Corporation.
Windows is a registered trademark of Microsoft Corporation.
All other trademarks belong to their respective owners.

© Copyright 2001 by ViPower, Inc.

1-1 Introduction

Congratulations on your purchase of one of the following CD-ROM Box Enclosures. Each CD-ROM Box Enclosure is an external enclosure which is designed to enable portable, hot-swap, plug-and-play operation of same-interface type 5.25" devices installed in the box.

- VP-6020 for IDE/ATA/ATAPI devices**
- VP-6022 for SCSI (50-pin) interface**
- VP-6024 for IDE Shuttle Module**
- VP-6028 for USB interface**
- VP-6029 for FireWire 1394 interface**
- VP-6048 for USB interface with Mobile Rack**
- VP-6049 for FireWire 1394 interface with Mobile Rack**

If you purchased the VP-6020 CD-ROM Box, note that it is designed to enable cross-platform, portable hot-swap, plug-and-play operation of 5.25" IDE or ATA/ATAPI devices with different interfaces using the following available interface Docking Kits:

- VP-8052 SCSIdock Docking Kit**
- VP-8053 Wide SCSIdock Docking Kit**
- VP-8055 PARALLELDock Docking Kit**
- VP-8056 PCMCIAdock Docking Kit**
- VP-8057 CARDBUSdock Docking Kit**
- VP-8058 USBdock Docking Kit**
- VP-8059 FireWire 1394 Docking Kit**

When used with any of the Docking Kits, the CD-ROM Box provides the perfect solution for portable use of removable media devices with Notebooks, iMac, Net-PC, Micro ATX PC, LCD panel PC, Mac and PC desktop computers equipped with the same interface as the Docking Kit.

This manual will guide you through the steps for installing a CD-ROM drive in the Model 6020 CD-ROM Box Enclosure for 5.25" IDE/ATA/ATAPI devices.

NOTE: Except for device types and connector details unique to each interface, the basic procedures for installing devices in any CD-ROM Box Enclosure is the same.

1-1.1 CD-ROM Box Enclosure Features

- Enables portable use of 5.25" internal model removable media devices with computers equipped with the same interface
- Supports hot-swap and plug-and-play features of the selected interface
- **Model VP-6020:** enables cross-platform interface compatibility of 5.25" form factor IDE/ATA/ATA devices and ATAPI CD-ROM drives with computers using the same interface as the Docking Kit model (USB, Parallel, 1394/FireWire, SCSI, CARDBUS and PCMCIA).

1-1.2 Unpacking Your CD-ROM Box

Verify that the following items are included in the carton. If any parts are damaged or missing, please contact your local dealer or sales representative immediately.

- One assembled CD-ROM Box Enclosure
- One vertical-holder stand (for optional use)
- Four mounting screws
- Installation Guide

2-1 Installation

The following sections will guide you through the installation of a CD-ROM drive in the CD-ROM Box Enclosure. There are two parts to the installation:

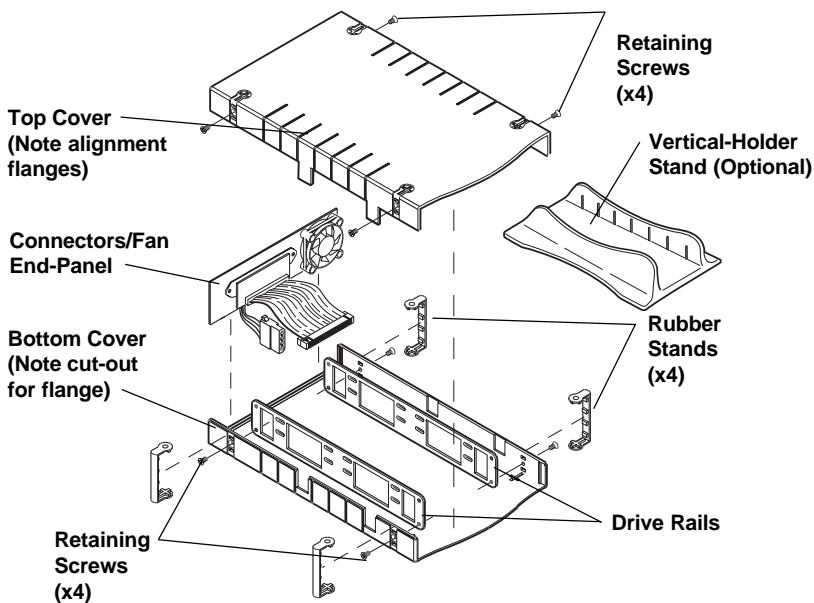
- Disassembly of the CD-ROM Box Enclosure (as it is shipped)
- Assembly of a device in the CD-ROM Box Enclosure

A small Phillips screwdriver is the only tool required.

2-1.1 Disassemble the CD-ROM Box

1. Remove the four rubber stands on the CD-ROM Box Enclosure by gently prying them off.
2. Remove the four retaining screws securing the top enclosure cover. (Refer to the following illustration to identify the top cover.)
3. Separate the top and bottom enclosure covers.
4. Slide out the end-panel with mounted connectors and fan .

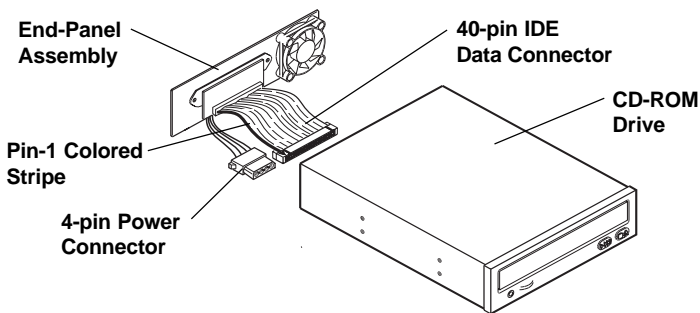
Note that the CD-ROM Box Enclosure is factory assembled with the drive rails installed.



CD-ROM Box Enclosure Components

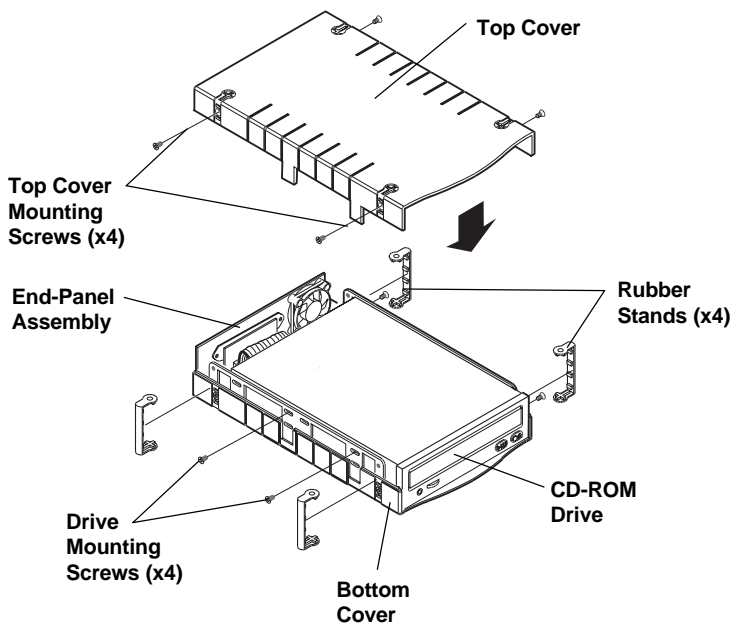
2-1.2 Assemble CD-ROM Box with CD-ROM Drive

1. Attach the two connectors from the end-panel assembly to the appropriate connectors on the CD-ROM drive.



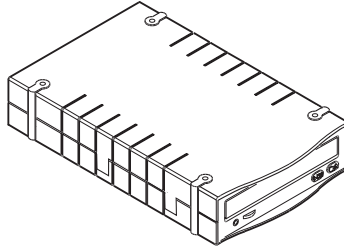
Power and Data Connector Drive Connections

- a. Attach the IDE 40-pin data cable from the end-panel to the 40-pin connector on the back of the CD-ROM drive. To ensure pin-1 to pin-1 connection, orient the cable so the *colored* stripe edge is closest to the power connector.
 - b. Attach the 4-pin power cable from the end-panel to the 4-pin connector on the back of the CD-ROM drive. The connector is 'D' shaped to ensure proper connection.
2. Place the CD-ROM drive in the bottom enclosure cover. The CD-ROM drive's front face panel should be flush with the front corners of the case (positioned in front of the guide flanges.)
 3. Align the CD-ROM drive's mounting holes with the mounting holes on the drive rails and secure with four screws (two on each side).
 4. Slide the back-panel connector assembly back into the end groove guide.
 5. Place the top cover over the drive assembly, making sure the end-panel assembly slides into its end groove guide.



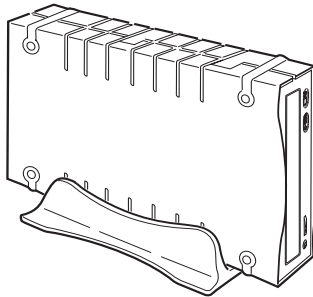
Installing Covers and Rubber Stands

6. Align the cover's mounting holes with the mounting holes on the drive rails and secure with four screws (two on each side).
7. Replace the four rubber stands, one on each of the four corners. *Orient each stand so the raised nub is on the bottom.* These help heat dissipation and provide secure placement of the CD-ROM Box.



Assembled CD-ROM Box Enclosure

8. A vertical-holder stand is also provided as a convenient, space-saving method for setup of the CD-ROM Box Enclosure on your desktop. Simply align the grooves of the CD-ROM box with the guides on the stand and slide together.



CD-ROM Box Enclosure with Vertical-Holder Stand

The installation is complete and the CD-ROM drive is now ready to use with any Docking Kit.

3.1 Operation with a Docking Kit

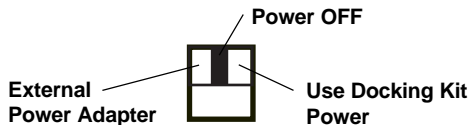
Perform the following steps (in the order given) to set up a Docking Unit with your CD-ROM Box Enclosure for operation. (Also refer to your Docking Kit's installation manual for further details. Some Docking Kits do not provide a Power Select switch.)

1. **For Windows 98 users:** verify that the Windows 98 driver is installed (if required.)
2. Verify that the power switch on the Docking Unit is OFF.

IMPORTANT

The Power Select or Power ON/OFF switch (depending on model) must be in the OFF position before proceeding.

For Docking units with a Power Select switch, set the switch to the MIDDLE power OFF position before connecting the CD-ROM Box.



Power Select Switch Settings on Docking Unit (For Example VP-8058)

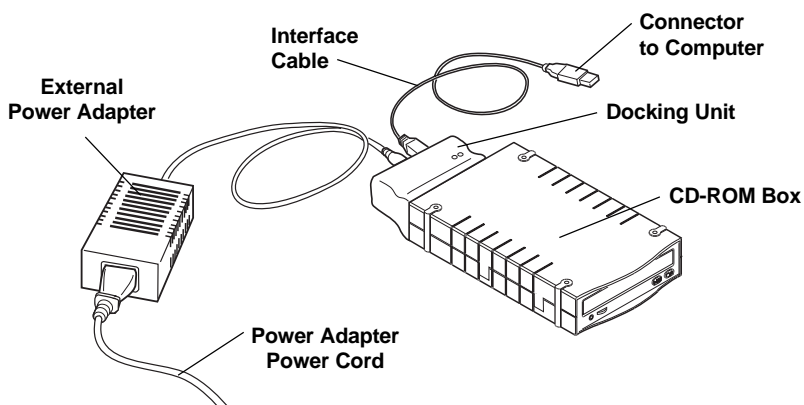
3. Plug the Docking Kit's 50-pin Centronics connector into the 50-pin connector on the back of the CD-ROM Box.
4. **Using the +5V/+12V AC/DC Power Adapter:**
 - a. With the Power Switch in the OFF position, plug in the 6-pin connector-end of the external power adapter into its corresponding +5V/+12V power-in connector on the Docking Unit.
 - b. Plug one end of the power cord into the power adapter and the other end into an AC power source outlet.
5. Set the Power Switch to ON position:

For models with Power Select switch:

- a. When using the *external* power adapter, set the Power Select switch to the LEFT position. Note that the green LED on the Docking Unit should be lit, indicating power ON. (This allows the device to warm up before connecting to the port.)

- b. When using the Docking Kit's interface for power, set switch to the RIGHT position. *Note: it is recommended that you use the +5V /+12V power adapter whenever possible.*
6. Connect the Docking Kit's interface cable into the appropriate interface port on your computer; plug the other end into the connector on the Docking Unit.
7. Viewing the screen, note that the plug-and-play feature will recognize the new device and assign it as a new drive.

The device is now ready to use.



Connections with Docking Unit for Operation

3-1 Disconnecting the CD-ROM Box

1. Unplug the interface cable from the Docking Unit. (Note that the drive icon will disappear from the computer screen.)
2. Turn power on Docking Unit OFF.
3. You can now switch to another device. When connecting a new device, be sure to follow the same sequence for setup as previously outlined in section 3.0.



Printed on recycled paper.

Free Manuals Download Website

<http://myh66.com>

<http://usermanuals.us>

<http://www.somanuals.com>

<http://www.4manuals.cc>

<http://www.manual-lib.com>

<http://www.404manual.com>

<http://www.luxmanual.com>

<http://aubethermostatmanual.com>

Golf course search by state

<http://golfingnear.com>

Email search by domain

<http://emailbydomain.com>

Auto manuals search

<http://auto.somanuals.com>

TV manuals search

<http://tv.somanuals.com>