



### Standard Features & Accessories

#### Models include

- Electronic steam system provides efficient use of water and energy for steam production
- External boiler ensures no accumulation of limescale within the oven
- Climate sensor maintains the ideal climate for gentle cooking
  - Must use descaling/cleaning display
- 5-1/4 cup (1.25 liter) water tank
  - Holds fresh water for steaming up to 2 hours at 212°F (100°C)
- Six cooking functions with recommended temperatures
  - Steaming gently cooks foods while retaining natural vitamins and minerals
  - Reheat or defrost foods using steam with the ReHeat Plus™ function
- TruConvec™ cooking with fan-forced air – perfect for multiple rack baking
- SteamHeat™ and TruSteam™ cooking (used for roasting and baking) – combine steam with fan-forced air to brown the outside of food while ensuring the interior is cooked)
- Electronic clock/temperature and special settings display
  - 10 hour independent timer
  - Delay cooking feature
  - Tone and electronic display indicate cooking time is complete
  - Text display provided in seven languages easily guides you through the functions and settings
- For safety, the control panel can be locked to prevent unwanted operation
- Two wire racks/six rack positions
- Standard accessories include two wire racks, multi-purpose cooking tray, steamer tray, meat probe, water tank, descaler, and three replacement water filters
- Easy to clean stainless steel interior oven cavity
  - 12-1/8"W. x 10-1/4"H. x 15-1/2"D.—1.1 cu. ft. (3.1 L)
- Must install as built-in using a trim kit (see **Installation Notes & Accessories** for details.)

### Model Options



**VCSO244\***  
Professional Steam Oven



**DCSO244\***  
Designer Steam Oven

#### FINISH DETAILS FOR BOTH MODELS

- Stainless Steel (SS) only for all models and trim kits

\*Shown with trim kit. See **Installation Notes & Accessories** for details.



# Built-In Electric Combi Steam/Convection Oven

★ Please see Installation Notes & Accessories for important information, including trim kits.

## Dimensions & Specifications

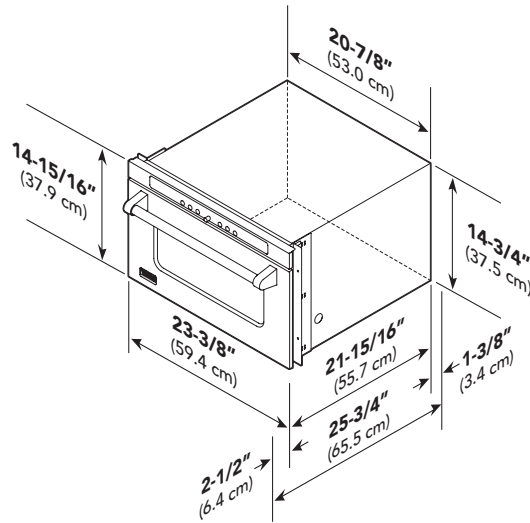
### PRODUCT DIMENSIONS



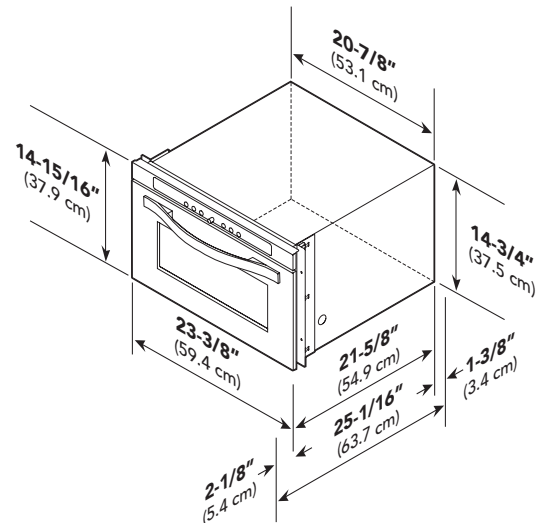
**VCSO244**  
Professional Steam Oven



**DCSO244**  
Designer Steam Oven



**PROFESSIONAL**



**DESIGNER**

	<b>VCSO244</b>	<b>DCSO244</b>
Overall width	<b>23-3/8" (59.4 cm)</b>	<b>23-3/8" (59.4 cm)</b>
(w/lateral holders)	<b>23-3/4" (60.3 cm)</b>	<b>23-3/4" (60.3 cm)</b>
Overall height	<b>14-15/16" (37.9 cm)</b>	
Overall depth		
(to the edge of door)	21-15/16" (55.7 cm)	21-5/8" (54.9 cm)
(to front of handles)	24" (62.1 cm)	23-1/2" (60.3 cm)
(from electrical)	25-3/4" (65.4 cm)	25-1/16" (63.7 cm)
Oven cavity		
Interior width	<b>12-1/8" (31.3 cm)</b>	<b>12-1/8" (31.3 cm)</b>
Interior height	<b>10-1/4" (26.0 cm)</b>	<b>10-1/4" (26.0 cm)</b>
Interior depth	<b>15-1/2" (39.3 cm)</b>	<b>15-1/2" (39.3 cm)</b>
Overall interior size	<b>1.1 cu. ft. (31 L)</b>	
Approx. ship weight	73 lbs. (34 kg)	72 lbs. (33 kg)



**UTILITY REQUIREMENTS**



**GAS**

- Not applicable



**ELECTRICAL**

- 4 ft. (121.9 cm) flexible stainless steel conduit
- 3/4-wire ground, 240 VAC, 60 Hz
  - o Unit equipped with No. 14 ground wire in unit.
- Maximum amp usage (240V/208V)
  - o 16.0/13.9



**PLUMBING**

- Not applicable

**Installation Requirements**

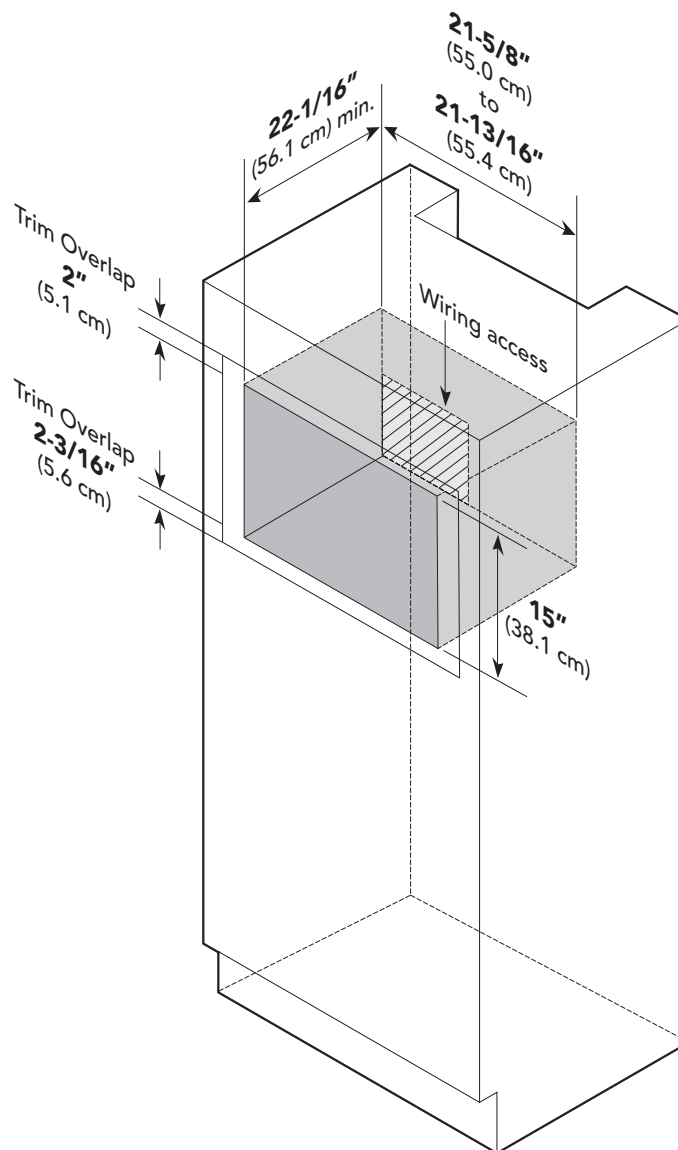
**ACCESS REQUIREMENTS**



**VCSO244**  
Professional Steam Oven



**DCSO244**  
Designer Steam Oven



	<b>VCSO244</b>	<b>DCSO244</b>
Cutout width		<b>21-5/8" (54.9 cm)</b>
Cutout height		<b>15" (38.1 cm)</b>
Cutout depth		<b>22-1/16" (56.0 cm)</b>



## ★ Installation Notes & Accessories

### Built-In Trim Kits

- Designed to match with corresponding Viking products
- Trim gives finished look to ovens installed as built-in units
- Kit includes frame assemblies and lateral holders

Model	Description	Approx. ship wt. lbs. (kg)
VSTK274	27" Professional trim kit	6.4 (2.9)
VSTK304	30" Professional trim kit	7.5 (3.4)
VSTK364	36" Professional trim kit	9.3 (4.2)
DSTK274	27" Designer trim kit	9.7 (4.4)
DSTK304	30" Designer trim kit	10.5 (4.8)

### Compliance Information



### WARRANTY SUMMARY\*

- One-year full warranty—complete unit
- Ninety-day limited—cosmetic parts such as glass, painted items, and decorative items
- Five-year limited warranty—electronic components

\*For complete warranty see *Use & Care Guide*. Warranty valid on Viking products shipped within the United States and Canada.



## Free Manuals Download Website

<http://myh66.com>

<http://usermanuals.us>

<http://www.somanuals.com>

<http://www.4manuals.cc>

<http://www.manual-lib.com>

<http://www.404manual.com>

<http://www.luxmanual.com>

<http://aubethermostatmanual.com>

Golf course search by state

<http://golfingnear.com>

Email search by domain

<http://emailbydomain.com>

Auto manuals search

<http://auto.somanuals.com>

TV manuals search

<http://tv.somanuals.com>