



## Standard Features & Accessories

### Models include

- Capacity-1.1 cu. ft.
  - 13-5/8"W. x 8-3/8"H. x 16-1/8"D.
- 13" dia. turntable
- Interior lighting installation options
- Must be installed as a built-in using a built-trim kit (sold separately)
- Cooks up to 80% faster than a conventional oven
- Easy-to-use interactive display
- 240V electric
- Manual and automatic speed cooking
- Automatic settings include:
  - 100 specific preprogrammed recipes with cookbook
  - Eighty-four basic cook settings – allows adaptation of recipes not in cookbook
  - Seventeen microwave options include: popcorn, reheat, defrost and cook
- Manual settings include:
  - Speed/grill – max heat (450°F) + Max airflow; auto preheat
  - Speed/roast – set at 325°F, roasting times 33% to 50% faster than conventional ovens. No preheat necessary.
  - Speed/bake – from 100°to 450°F this setting is for more traditional baking. Reduces cooking times by 25% to 33%.
- Help features Include:
  - Child lock
  - Sound elimination
  - Auto start – program oven to start at specific time
  - Refresh cycle – smoke and odor removal
  - Demo mode
  - Timer

---

## Model Options



VHSO205\*

### FINISH DETAILS FOR PROFESSIONAL MODEL

- Stainless Steel (SS) for oven and trim kits

\*Shown throughout with required built-in trim kit. See **Installation Notes & Accessories** for details.



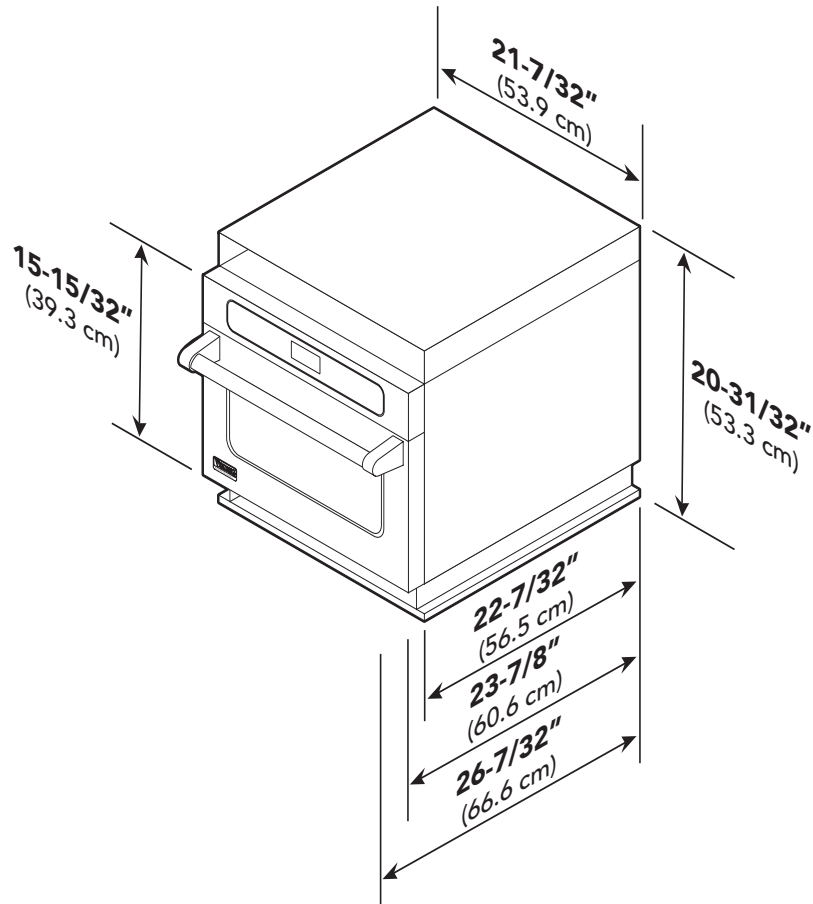
★ Please see  
Installation Notes &  
Accessories  
for important  
information,  
including trim kits.

## Dimensions & Specifications

### PRODUCT DIMENSIONS



VHSO205



#### VHSO205

Overall width	21-7/32" (53.9 cm)
Overall height	20-31/32" (53.3 cm)
Overall depth	23-7/8" (60.6 cm)
(to front of handles)	26-7/32" (66.6 cm)
<b>Oven</b>	
Interior width	16-1/8" (41.0 cm)
Interior height	8-3/8" (21.3 cm)
Interior depth	13-5/8" (34.6 cm)
Overall interior size	1.1 cu. ft.
Approx. ship weight	110 lbs. (49.9 kg)



### UTILITY REQUIREMENTS



**GAS**  
• Not applicable



**ELECTRICAL**

- 240 VAC/60 Hz, 15-amp electrical connection.
- Three-pronged grounding plug.
- Maximum amp usage (240V)
  - o 15.0



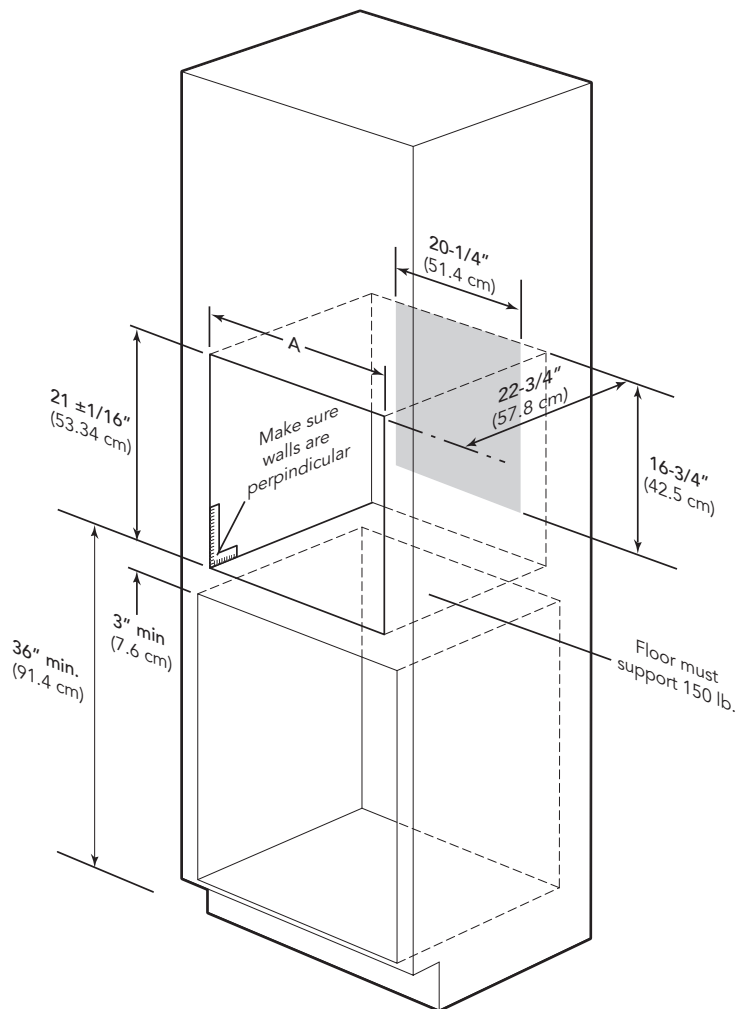
**PLUMBING**  
• Not applicable

## Installation Requirements

### ACCESS REQUIREMENTS



VHSO205



**Note:** Electrical outlet should not be located in shaded area.

### VHSO205

Cutout width (A)	
w/VHTK275	24-15/16" (63.3 cm)
w/VHTK305	27-1/2" (69.9 cm)
w/VHTK365	27-1/2" (69.9 cm)
Cutout height	21" (53.3 cm)
Cutout depth	22-3/4" (57.8 cm)



## ★ Installation Notes & Accessories

### Built-In Trim Kits

- Stainless Steel (SS)
- Must be used with installation of any VHSD
- Designed to match with corresponding Viking products
- Trim gives finished look to ovens installed as built-in units
- Kit includes frame assemblies, exhaust duct assembly, and metal fasteners

Model	Description	Approx. ship wt. lbs. (kg)
VHTK275	27"W. Built-in Trim Kit	14.0 (6.5)
VHTK305	30"W. Built-in Trim Kit	15.0 (6.9)
VHTK365	36"W. Built-in Trim Kit	16.0 (7.2)

### Compliance Information



### WARRANTY SUMMARY\*

- One-year full warranty—complete unit
- Five-year limited warranty—magnetron tube
- Ninety-day limited warranty—cosmetic parts such as glass, painted items, and decorative items

\*For complete warranty see *Use & Care Guide*. Warranty valid on Viking products shipped within the United States and Canada.



## Free Manuals Download Website

<http://myh66.com>

<http://usermanuals.us>

<http://www.somanuals.com>

<http://www.4manuals.cc>

<http://www.manual-lib.com>

<http://www.404manual.com>

<http://www.luxmanual.com>

<http://aubethermostatmanual.com>

Golf course search by state

<http://golfingnear.com>

Email search by domain

<http://emailbydomain.com>

Auto manuals search

<http://auto.somanuals.com>

TV manuals search

<http://tv.somanuals.com>