



# KITCHEN CLEANUP Built-In 24"W. Dishwasher 450



## Standard Features & Accessories

### All models include:

- **Exclusive** Vari-Pressure Intelli-Wash™ System
  - **Exclusive** variable speed 1/2 horsepower commercial-type motor
  - **Exclusive** multi-level washing with two stainless steel wash arms
  - **Exclusive** Block-proof Flexible-Fluid™ coupling direct water feed
- **Exclusive** Central Intelligence™ System
  - Constant communication
  - Measures water temperature and water volume
- **Exclusive** Five-Stage Filtration and Waste Removal System
  - Removable coarse strainer
  - **Exclusive** Triple-Clean™ filtration with self-cleaning jets
  - **Exclusive** ultra hard food waste disposer/motor/pump
- **Exclusive** Sure-Temp™ Water Heating
  - 1400 watt HydroFlo™ water heater
  - Operable with "cold" ground water
- Air-Flo™ Gentle Drying
  - Gentle, effective and safe heated fan-driven system
  - Fan circulates gentle air over, under and around dishes
- QuietClean™ Performance Package
  - Separate motor/pump assemblies for washing and draining
  - Multi-stage sound absorbing/heat retaining insulation
  - Blue LED power-on light in kickplate indicates cycle is operating
- "Load-As-You-Like" Versa-Load™ Racks
  - Accommodates 15 international place settings
  - Fully extendable nylon coated racks
  - Two-Piece silverware/cutlery basket
  - Lower rack has 4 rows of 3 position one-piece fold-down tines
- Roller Bearing™ upper rack has 3 rows of multi-position Hold Tight™ dividers, 1 one-piece stemware cradle/cup shelf and 1 one-piece cup shelf
- **Exclusive** Diamond-Brite™ stainless steel tank and inner door
- Cycles – Pots/Pans, Normal Wash, Econo Wash, Light/China, Rinse/Hold
- Options – Econo Dry, 155°F Final Rinse, Top Wash Only, Delay Start (up to 10 hours)
- Energy Star Qualified

## Model Options



**VDB450  
Professional  
Built-In Dishwasher**

- Finish details for VDB model
- Stainless Steel (SS)



**DFB450  
Custom Front  
Built-In Dishwasher**

- Finish details for DFB model
- Handles not included—opt for custom handles or purchase a Viking Professional or Designer handle kit (see **Installation Notes & Accessories**)
  - Door panel not included.\*
  - See **Custom Panels** section for more information and additional specifications.

### ORDERING INSTRUCTIONS

\*Door panel not included. Must order either a Professional w/o louvers (PDDP24), Professional w/louvers (PDDPL24), or Designer (DDDP24) door panel if a custom panel will not be used. Specify color code at end (PDDP24SS). If ordering optional brass trim, specify code at end (PDDP24SSBR). If ordering a custom model (to be fit with a custom panel or with a color panel), use no color or trim code (DFB450).





★ Please see Installation Notes & Accessories for important installation information, including panel and handle kits.

### Dimensions & Specifications

#### PRODUCT DIMENSIONS

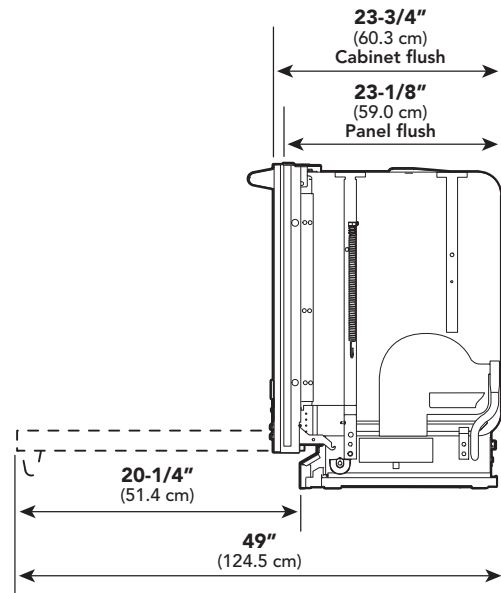
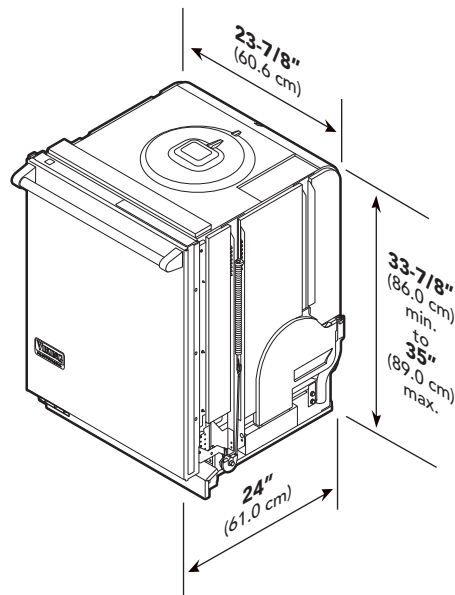


**VDB450**  
Professional  
Built-In Dishwasher



**DFB450**  
Custom Front  
Built-In Dishwasher

See Custom Panels section for more information and additional specifications.



**Note:** If the dishwasher is installed in a corner, there must be a minimum clearance of 2" (5.1 cm) from the side wall so the door can open.

| All models                            |  |
|---------------------------------------|--|
| Overall width                         | 23-7/8" (60.6 cm)                            |
| Overall height (from floor)           | 33-7/8" (86.0 cm) min. to 35" (89.0 cm) max. |
| Overall depth (from rear)             |  |
| To edge of side (includes door panel) | 24" (61.0 cm)—includes door panel            |
| With door open                        | 49" (124.5 cm)                               |

**Note:** This unit is NOT designed to be installed without trim. All dimensions include trim.



### UTILITY REQUIREMENTS



**GAS**  
Not applicable



- ELECTRICAL**
- Five-foot (1.5 m), electrical cord with 90 degree 3-prong plug
  - 120V/60 Hz
  - Maximum amp usage—15.0 amps
  - Water-heating element rating—1,400 watts



- PLUMBING**
- 120°F (49°C) hot water recommended; dishwasher will, however, perform properly with cold water\*
  - Inlet water pressure operating range—10 – 125 psi (0.69 – 8.62 bar)
  - Five foot (1.5 m) braided stainless steel water line with 3/8" (0.95 cm) compression fitting supplied with dishwasher
  - Seven-foot (2.13 m) 1/2" (1.3 cm) ID "crimp-proof" flexible drain hose with clamp attached to dishwasher; connections provided for 5/8" (1.5 cm), 3/4" (1.9 cm), or 1" (2.5 cm) cut as required
  - High loop of drain hose required; min. height from floor—20" (50.8 cm)
  - Check local codes for drain air gap requirement

\*Cycle times will be extended

## Installation Requirements

### ACCESS REQUIREMENTS

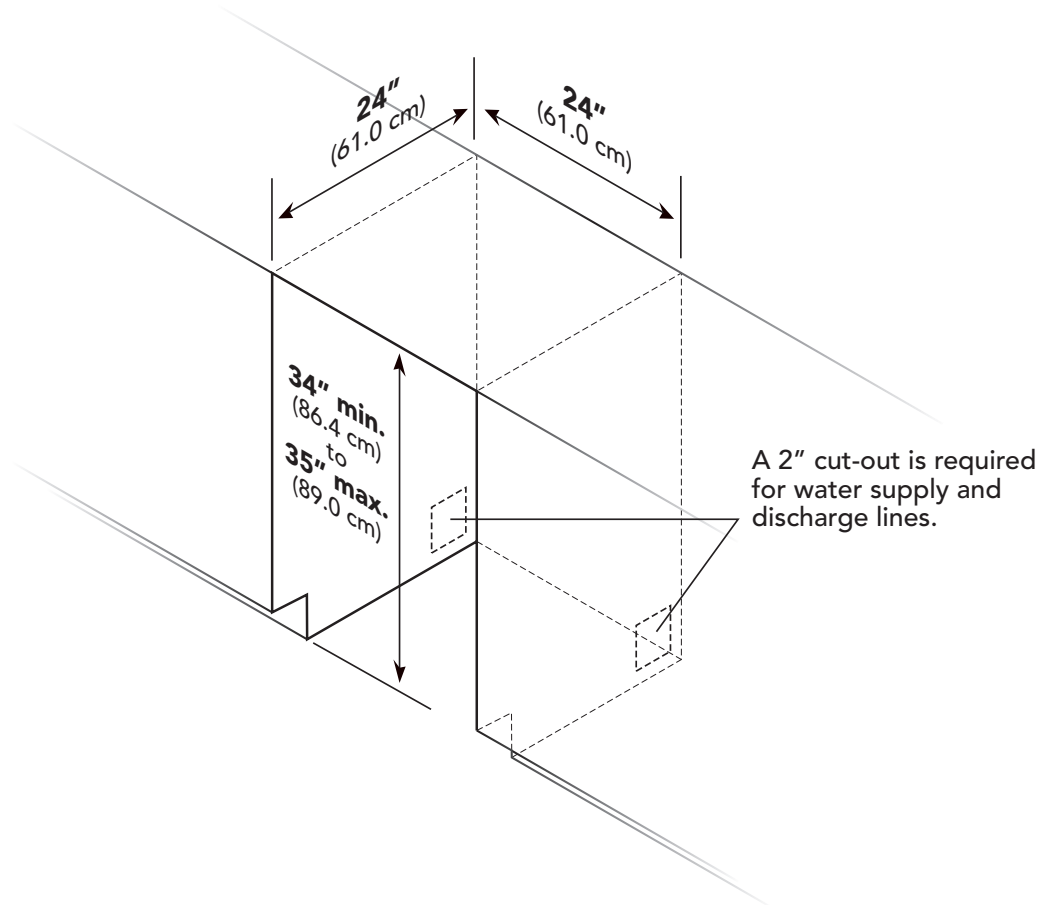


**VDB450**  
**Professional**  
**Built-In Dishwasher**



**DFB450**  
**Custom Front**  
**Built-In Dishwasher**

See **Custom Panels** section for more information and additional specifications.



#### All models

|               |  |
|---------------|--|
| Cutout width  | 24" (61.0 cm)                            |
| Cutout height | 34" (86.4 cm) min. to 35" (89.0 cm) max. |
| Cutout depth  | 24" (61.0 cm)                            |



# KITCHEN CLEANUP Built-In 24"W. Dishwasher 450



## ★ Installation Notes & Accessories

### Door Panel Kits

- For use with DFB450 custom front dishwasher
- Kit includes one panel and installation hardware
- Add **BR** to end of model number for brass trim option

| Model      | Description  | Approx. ship wt. lbs. (kg) |
|------------|--|----------------------------|
| PDDP24-SS  | Professional door panel – no louvers (Stainless Steel) | 14 (6.3)                   |
| PDDP24-BK  | Professional door panel – no louvers (Black)           | 14 (6.3)                   |
| PDDP24-WH  | Professional door panel – no louvers (White)           | 14 (6.3)                   |
| PDDP24-MS  | Professional door panel – no louvers (Metallic Silver) | 14 (6.3)                   |
| PDDP24-GG  | Professional door panel – no louvers (Graphite Gray)   | 14 (6.3)                   |
| PDDP24-SG  | Professional door panel – no louvers (Stone Gray)      | 14 (6.3)                   |
| PDDP24-TP  | Professional door panel – no louvers (Taupe)           | 14 (6.3)                   |
| PDDP24-BT  | Professional door panel – no louvers (Biscuit)         | 14 (6.3)                   |
| PDDP24-CW  | Professional door panel – no louvers (Cotton White)    | 14 (6.3)                   |
| PDDP24-OG  | Professional door panel – no louvers (Oyster Gray)     | 14 (6.3)                   |
| PDDP24-GM  | Professional door panel – no louvers (Golden Mist)     | 14 (6.3)                   |
| PDDP24-LE  | Professional door panel – no louvers (Lemonade)        | 14 (6.3)                   |
| PDDP24-SA  | Professional door panel – no louvers (Sage)            | 14 (6.3)                   |
| PDDP24-MJ  | Professional door panel – no louvers (Mint Julep)      | 14 (6.3)                   |
| PDDP24-SE  | Professional door panel – no louvers (Sea Glass)       | 14 (6.3)                   |
| PDDP24-IB  | Professional door panel – no louvers (Iridescent Blue) | 14 (6.3)                   |
| PDDP24-VB  | Professional door panel – no louvers (Viking Blue)     | 14 (6.3)                   |
| PDDP24-PM  | Professional door panel – no louvers (Pumpkin)         | 14 (6.3)                   |
| PDDP24-RR  | Professional door panel – no louvers (Racing Red)      | 14 (6.3)                   |
| PDDP24-AR  | Professional door panel – no louvers (Apple Red)       | 14 (6.3)                   |
| PDDP24-BU  | Professional door panel – no louvers (Burgundy)        | 14 (6.3)                   |
| PDDP24-PL  | Professional door panel – no louvers (Plum)            | 14 (6.3)                   |
| PDDP24-CH  | Professional door panel – no louvers (Chocolate)       | 14 (6.3)                   |
| PDDP24-CB  | Professional door panel – no louvers (Cobalt Blue)     | 14 (6.3)                   |
| PDDPL24-SS | Professional door panel – louvers (Stainless Steel)    | 14 (6.3)                   |
| DDDP24-SS  | Designer door panel (Stainless Steel)                  | 14 (6.3)                   |
| DDDP24-BK  | Designer door panel (Black)                            | 14 (6.3)                   |
| DDDP24-WH  | Designer door panel (White)                            | 14 (6.3)                   |
| DDDP24-MS  | Designer door panel (Metallic Silver)                  | 14 (6.3)                   |
| DDDP24-GG  | Designer door panel (Graphite Gray)                    | 14 (6.3)                   |
| DDDP24-SG  | Designer door panel (Stone Gray)                       | 14 (6.3)                   |
| DDDP24-TP  | Designer door panel (Taupe)                            | 14 (6.3)                   |
| DDDP24-BT  | Designer door panel (Biscuit)                          | 14 (6.3)                   |
| DDDP24-CW  | Designer door panel (Cotton White)                     | 14 (6.3)                   |
| DDDP24-OG  | Designer door panel (Oyster Gray)                      | 14 (6.3)                   |
| DDDP24-GM  | Designer door panel (Golden Mist)                      | 14 (6.3)                   |
| DDDP24-LE  | Designer door panel (Lemonade)                         | 14 (6.3)                   |
| DDDP24-SA  | Designer door panel (Sage)                             | 14 (6.3)                   |
| DDDP24-MJ  | Designer door panel (Mint Julep)                       | 14 (6.3)                   |
| DDDP24-SE  | Designer door panel (Sea Glass)                        | 14 (6.3)                   |
| DDDP24-IB  | Designer door panel (Iridescent Blue)                  | 14 (6.3)                   |
| DDDP24-VB  | Designer door panel (Viking Blue)                      | 14 (6.3)                   |
| DDDP24-PM  | Designer door panel (Pumpkin)                          | 14 (6.3)                   |
| DDDP24-RR  | Designer door panel (Racing Red)                       | 14 (6.3)                   |
| DDDP24-AR  | Designer door panel (Apple Red)                        | 14 (6.3)                   |
| DDDP24-BU  | Designer door panel (Burgundy)                         | 14 (6.3)                   |
| DDDP24-PL  | Designer door panel (Plum)                             | 14 (6.3)                   |
| DDDP24-CH  | Designer door panel (Chocolate)                        | 14 (6.3)                   |
| DDDP24-CB  | Designer door panel (Cobalt Blue)                      | 14 (6.3)                   |





# KITCHEN CLEANUP Built-In 24"W. Dishwasher 450



## ★ Installation Notes & Accessories

### Handle Kits

- For use on locally supplied full overlay panels
- Includes handle and installation hardware
- Allows dishwashers with full overlay panel to coordinate with other Professional and Designer products

| Model    | Description                           | Approx. ship wt. lbs. (kg) |
|----------|---------------------------------------|----------------------------|
| PHK23-SS | Professional handle (Stainless Steel) | 5 (2.3)                    |
| PHK23-BR | Professional handle (Brass)           | 5 (2.3)                    |
| DHK20-SS | Designer handle (Stainless Steel)     | 5 (2.3)                    |
| DHK20-BR | Designer handle (Brass)               | 5 (2.3)                    |

### Compliance Information



### WARRANTY INFORMATION\*

- One-year full warranty—all components
- Lifetime limited warranty—stainless steel tanks, inner door liner
- Five-year limited warranty—electronic control (two-years with certified installation), racks, motor/pump assemblies, and water distribution system
- Ninety-day limited warranty—cosmetic parts (painted and decorative items)

\*For complete warranty information info see *Use & Care Guide*. Warranty valid on Viking products shipped within the United States and Canada.



## Free Manuals Download Website

<http://myh66.com>

<http://usermanuals.us>

<http://www.somanuals.com>

<http://www.4manuals.cc>

<http://www.manual-lib.com>

<http://www.404manual.com>

<http://www.luxmanual.com>

<http://aubethermostatmanual.com>

Golf course search by state

<http://golfingnear.com>

Email search by domain

<http://emailbydomain.com>

Auto manuals search

<http://auto.somanuals.com>

TV manuals search

<http://tv.somanuals.com>