



OUTDOOR—COOKING

53"W. Ultra-Premium T-Series/E-Series Gas Grill



★ Please see Installation Notes and Accessories for important information, including fuel conversion kits, carts, and side burners.



VGBQ T-Series grills are Star-K certified for use on the Jewish Sabbath or Jewish holidays. (VGIQ grills are not Star-K certified.)

Dimensions & Specifications

PRODUCT DIMENSIONS



VGBQ530-4RT/E
T-Series/E-Series
Four-Burner All-Grill



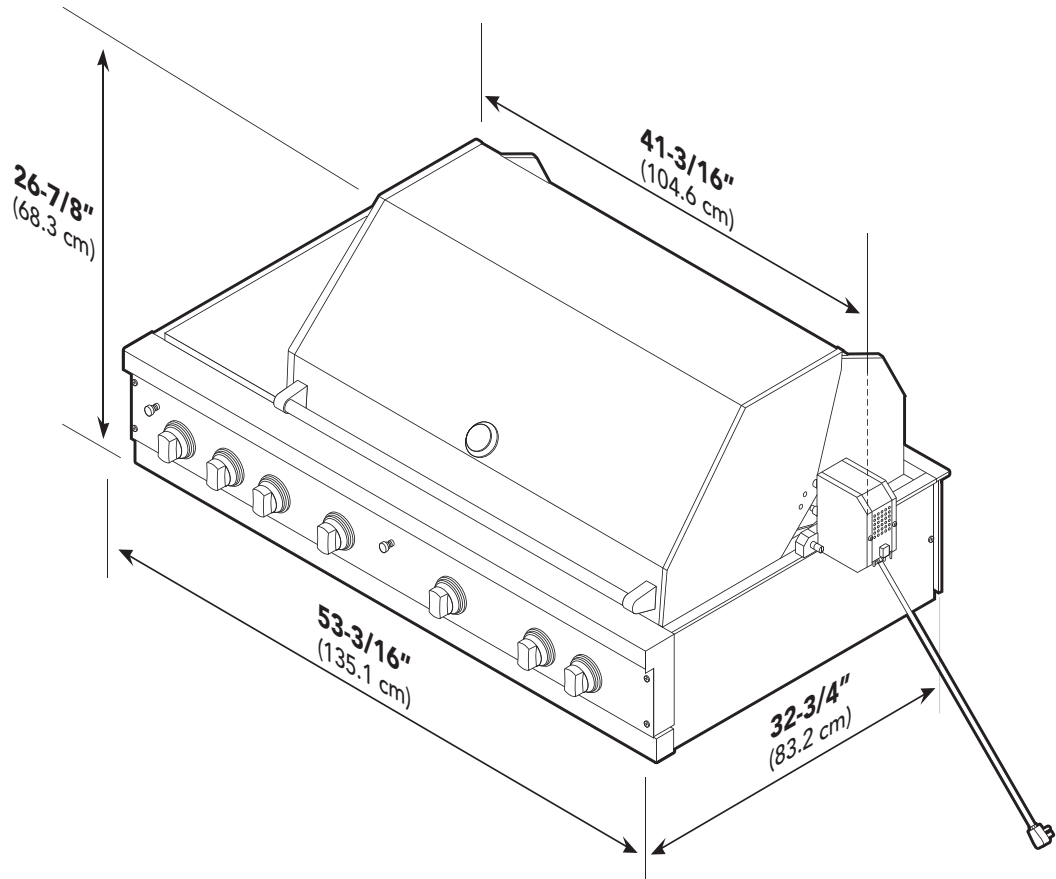
VGBQ532-3RT/E
T-Series/E-Series
Three-Burner Grill
w/Side Burners



VGIQ530-4RT/E
T-Series/E-Series
Four-Burner All-Grill
(inc. TruSear™ Burner)



VGIQ532-3RT/E
T-Series/E-Series
Three-Burner Grill
w/Side Burners
(inc. TruSear™ Burner)



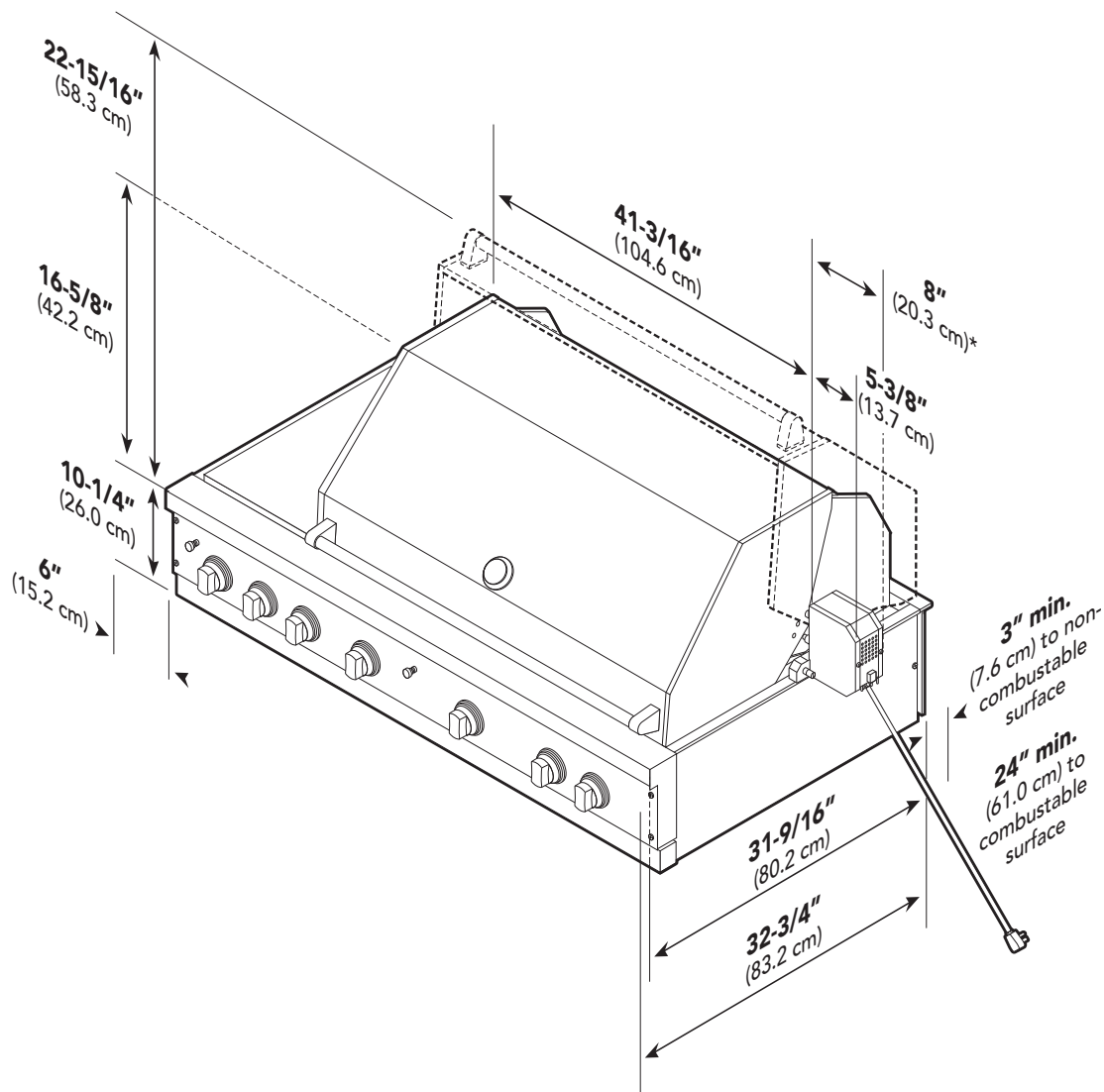
	VGBQ530-4RT/E	VGBQ532-3RT/E	VGIQ530-4RT/E	VGIQ532-3RT/E
Overall width		53-3/16" (132.7 cm)		
Overall height—hood closed		26-7/8" (68.3 cm)		
With hood fully open		33-3/16" (84.3 cm)		
Overall depth—from front of knobs		32-3/4" (83.2 cm)		
Approx. ship wt. lbs. (kg)	460 (208.8)	490 (222.5)	460 (208.8)	490 (222.5)





Dimensions & Specifications

CLEARANCE DIMENSIONS & HOOD SWING



Minimum clearances

1. Maintain a min. of 6" (15.2 cm) from the sides, or a min. of 8" (20.3 cm) from the right side if there is a rotisserie motor, and a min. of 24" (61.0 cm) from the back above the cooking surface to adjacent vertical combustible construction. Do not place grill under unprotected combustible construction.
2. Maintain a min. of 3" (7.6 cm) clearance from the back of the grill with a canopy and a min. of 6" (15.2 cm) from the back of the grill without a canopy to non-combustible construction to allow the lid to open fully and for proper ventilation. (The grill exhausts combustion products and cooking greases to the back.) Never place the grill where the

exhaust is directed at a window, less than 24" (61.0 cm) to combustible material, or any surface that is difficult to clean. Allow at least 6" side clearance to non-combustible construction above the cooking surface for counter space. If using the rotisserie option, the space is essential for motor and skewer clearance. The grill can be placed directly adjacent to combustible and/or non-combustible construction below the cooking surface.

3. When determining a suitable location for the grill, take into account exposure to wind, proximity to traffic paths, and keeping gas supply lines as short as possible. Place the grill only in a well-ventilated area. Never place the grill in a building, garage, breezeway,

shed, or other fully enclosed areas. During heavy use, the grill will produce a lot of smoke; ensure you have adequate room for smoke to dissipate.

4. If using a rear wall, place the electrical service on the right-hand side for the rotisserie motor.

IMPORTANT: Gas fittings, regulator, and installer-supplied shut-off valve must be easily accessible.



Installation Requirements

ACCESS REQUIREMENTS



VGBQ530-4RT/E
T-Series/E-Series
Four-Burner All-Grill



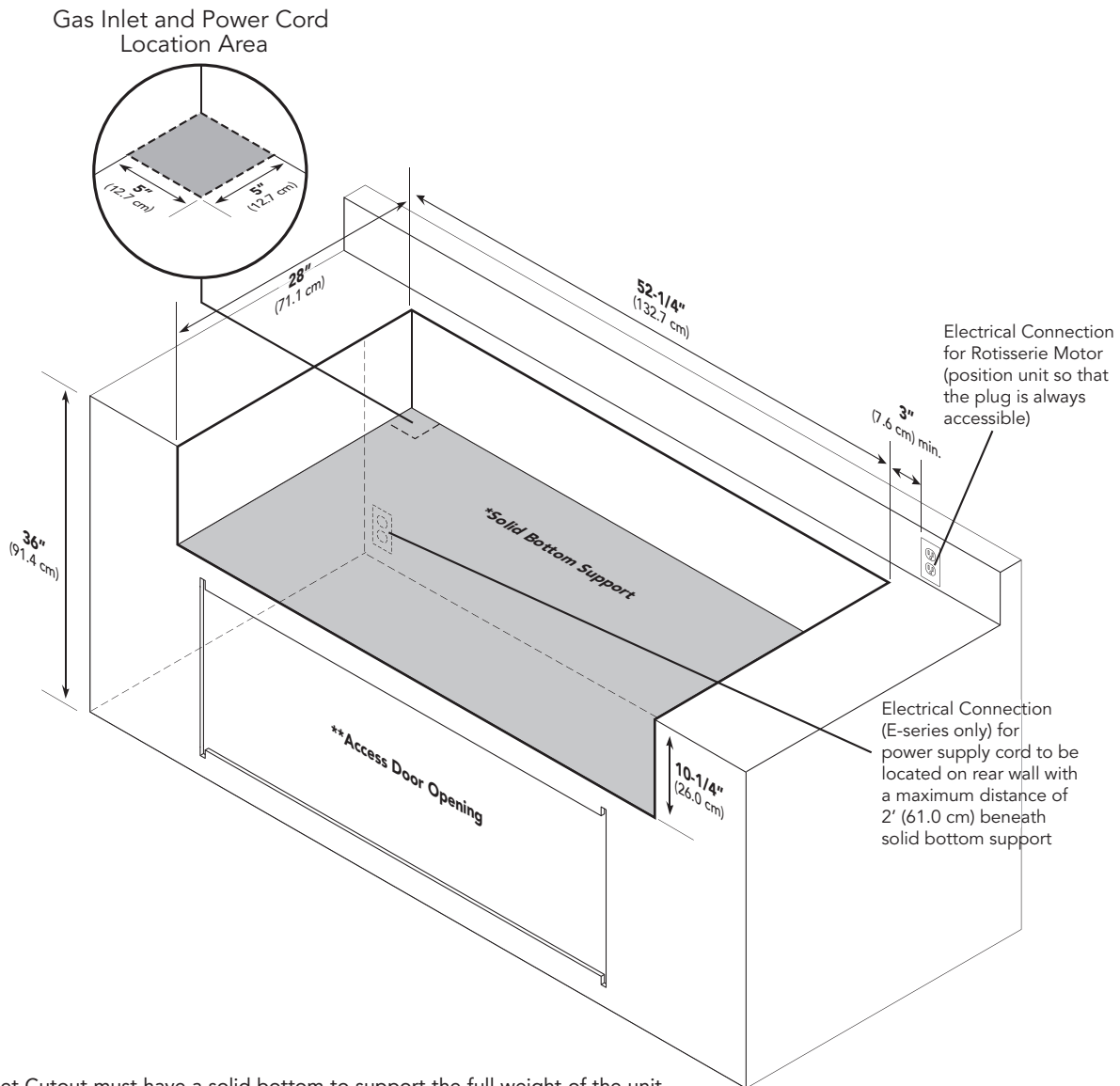
VGBQ532-3RT/E
T-Series/E-Series
Three-Burner Grill
w/Side Burners



VGIQ530-4RT/E
T-Series/E-Series
Four-Burner All-Grill
(inc. TruSear™ Burner)



VGIQ532-3RT/E
T-Series/E-Series
Three-Burner Grill
w/Side Burners
(inc. TruSear™ Burner)



*Cabinet Cutout must have a solid bottom to support the full weight of the unit.

**Access Doors sold separately

All models	
Cutout width	52-1/4" (132.7 cm)
Cutout height	10-1/4" (26.0 cm)
Cutout depth	28" (71.1 cm)



Free Manuals Download Website

<http://myh66.com>

<http://usermanuals.us>

<http://www.somanuals.com>

<http://www.4manuals.cc>

<http://www.manual-lib.com>

<http://www.404manual.com>

<http://www.luxmanual.com>

<http://aubethermostatmanual.com>

Golf course search by state

<http://golfingnear.com>

Email search by domain

<http://emailbydomain.com>

Auto manuals search

<http://auto.somanuals.com>

TV manuals search

<http://tv.somanuals.com>