



# OUTDOOR—STORAGE

## Built-In Storage Drawer & Access Doors



### Standard Features & Accessories

#### Storage Drawers include

- Available widths match the outdoor warming drawers and provide a consistent look
- Extra-large storage capacity—perfect for storing barbeque tools, seasonings, and other grilling accessories
  - SD170T—2.2 cu. ft.  
1.7 cu. ft.
  - SD100T—2.4 cu. ft.  
1.9 cu. ft.
  - SD160T—3.0 cu. ft.  
2.4 cu. ft.
- Can be installed indoors also
- Entire drawer removes for easy cleaning

- Constructed of durable 18-gauge, stainless steel for commercial-style construction, design, and styling
- Sealed to protect contents from the elements
- Equipped with a latch to keep drawers securely closed
- Stainless steel roller-bearing glides for smooth drawer operation

#### Access Doors include

- For installation with Viking Outdoor products
- Door(s) coordinate with other Viking outdoor products
- Rugged, stainless steel construction
- Tubular handle(s)

- Each door measures approx. 16"W. x 20"H.
- Hidden pivot point hinges
  - On AD1620T model, the door can be mounted with left or right door swing

### Model Options



Storage Drawer



AD1620T  
Single Access Door



AD2820T  
Double Access Doors

#### FINISH DETAILS

- Stainless Steel (SS)
- Brass Trim Option (BR)—nameplate and handle/brackets. Brass components have a durable protective coating for maintenance-free normal use.

#### ORDERING INSTRUCTIONS

If ordering optional brass trim, specify code at end (SD170T-BR).





★ Please see Installation Notes and Accessories for important information, including grills.

### Dimensions & Specifications

#### PRODUCT DIMENSIONS



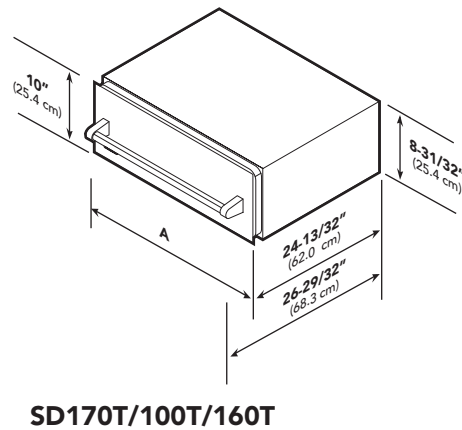
Storage Drawer



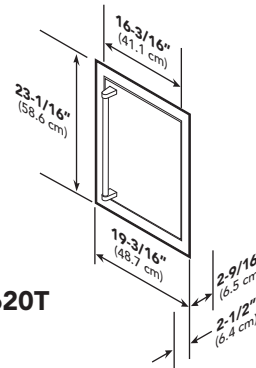
AD1620T  
Single Access Door



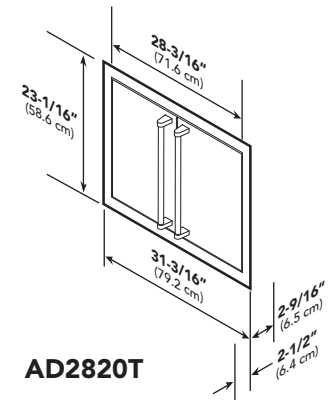
AD2820T  
Double Access Doors



SD170T/100T/160T



AD1620T



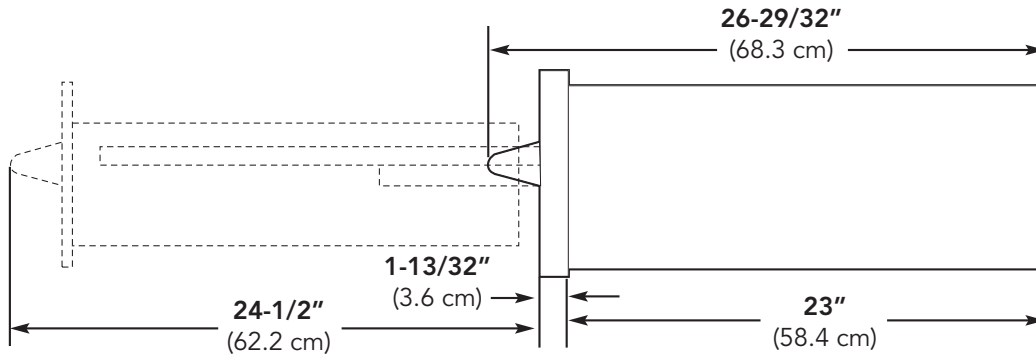
AD2820T

	SD170T	SD100T	SD160T
Overall width (A)	26-1/2" (67.3 cm)	29-1/2" (74.9 cm)	35-1/4" (89.5 cm)
Overall height (from bottom)	<b>10" (25.4 cm)</b>		
Overall depth (from rear)			
To front edge of trim	<b>24-13/32" (62.0 cm)</b>		
To end of handle	<b>26-29/32" (68.3 cm)</b>		
With drawer fully extended	<b>49-3/32" (124.7 cm)</b>		
<b>Interior dimensions</b>			
Interior width	21-3/8" (54.3 cm)	24-1/2" (62.2 cm)	30-1/8" (76.5 cm)
Interior height	<b>5-7/8" (5.9 cm)</b>		
Interior depth	<b>23" (58.4 cm)</b>		
Approx. ship weight lbs. (kg)	86 (38.7)	97 (43.5)	112 (50.4)
	AD1620T	AD2820T	
Overall width (including trim)	19-3/16" (48.7 cm)	31-3/16" (79.2 cm)	
Door(s) only	16-3/16" (41.1 cm)	28-3/16" (71.6 cm)	
Overall height (including trim)	<b>23-1/16" (58.6 cm)</b>		
Door(s) only	<b>20-3/16" (50.9 cm)</b>		
Overall depth (recessed)	<b>2-9/16" (6.5 cm)</b>		
From cabinet front to end of handle	<b>2-1/2" (6.4 cm)</b>		
With door fully open	15-7/16" (39.2 cm)	13-3/8" (34.0 cm)	
Approx. ship weight lbs. (kg)	50 (22.5)	75 (32.8)	

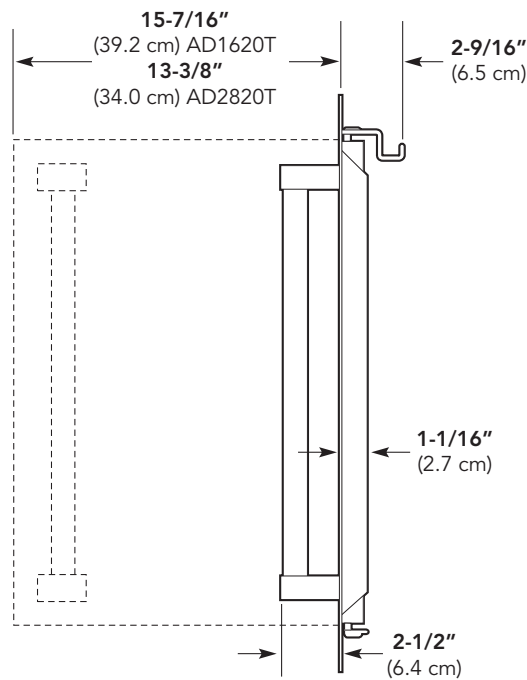


## Dimensions & Specifications

### DRAWER EXTENSION & DOOR SWING



**SD170T/100T/160T**



**AD1620T/2820T**



### UTILITY REQUIREMENTS



**GAS**  
• Not applicable



**ELECTRICAL**  
• Not applicable



**PLUMBING**  
• Not applicable

## Installation Requirements

### ACCESS REQUIREMENTS



Storage Drawer

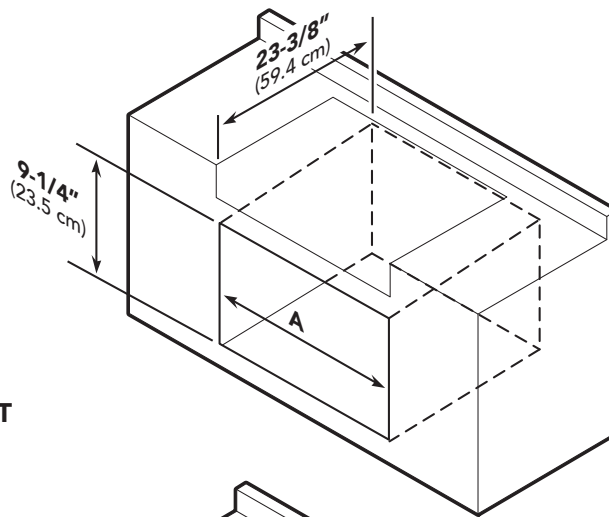


AD1620T  
Single Access Door

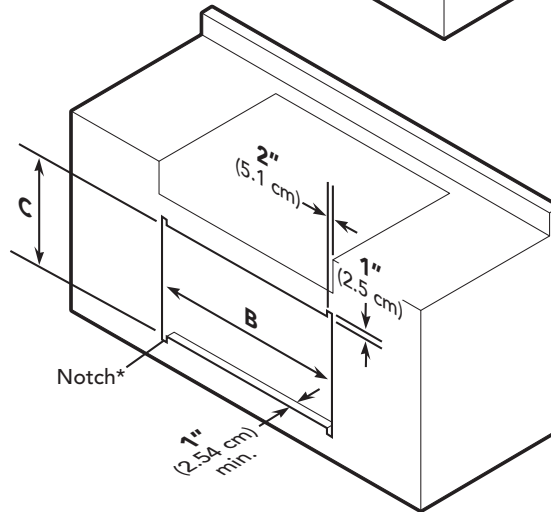


AD2820T  
Double Access  
Doors

SD170T/100T/160T



AD1620T/2820T



	SD170T	SD100T	SD160T
Cutout width (A)	25" (63.5)	28" (71.1 cm)	33-3/4" (85.7 cm)
Cutout height	9-1/4" (23.5 cm)		
Cutout depth	23-3/8" (59.4 cm)		
	AD1620T	AD2820T	
Cutout width (including notches*) (B)	16-1/4" (41.3 cm) min. to 18-1/4" (46.4 cm) max.	28-1/4" (71.8 cm) min. to 30-1/4" (76.8 cm) max.	
Cutout height (opening only) (C)	20-1/4" (51.4 cm) min. to 20-1/2" (52.1 cm) max.		
Cutout depth	1" (2.54 cm)		



# OUTDOOR—STORAGE

## Built-In Storage Drawer & Access Doors



### WARRANTY SUMMARY\*

- One-year full warranty—complete product (w/in-home repairs)
- Lifetime limited warranty—all stainless steel components (includes rust-through)
- Two-year limited warranty—door hinges/drawer slides
- Ninety-day limited warranty—cosmetic parts (glass, painted, & decorative items)

\* For complete warranty see *Use & Care Guide*. Warranty valid on Viking products shipped within the United States and Canada.



## Free Manuals Download Website

<http://myh66.com>

<http://usermanuals.us>

<http://www.somanuals.com>

<http://www.4manuals.cc>

<http://www.manual-lib.com>

<http://www.404manual.com>

<http://www.luxmanual.com>

<http://aubethermostatmanual.com>

Golf course search by state

<http://golfingnear.com>

Email search by domain

<http://emailbydomain.com>

Auto manuals search

<http://auto.somanuals.com>

TV manuals search

<http://tv.somanuals.com>