



OUTDOOR—COOKING

53"W. Outdoor Range™ Ultra-Premium Grill Cart with Gas Oven



Standard Features & Accessories

All models include

- Compatibility with 53"W. grills (**sold separately**—see individual product pages)
- Commercial styling and construction
 - No assembly required
 - Built from thick sheets of rugged, heavy-duty, non-rusting stainless steel
- Large inboard 10" solid rubber rear wheels and locking caster front wheels provide maneuverability and stability, and allow unit to fit flush against wall.
- Two stainless steel 16"W. x 24"D. fold-down side shelves
- Two storage drawers (center of cart)
- Front pullout access for LP tank, with storage area
- VGSO gas oven **included**
 - Agency-certified for outdoor use
 - Capacity—2.5 cu. ft.
 - 18-1/8"W. x 12-7/16"H. x 18-3/4"D. oven cavity
 - Electronic ignition powered by 9-volt battery
 - 20,000 BTU gas burner
 - 200 – 550° F (93 – 288° C) thermostat
 - Natural airflow bake function
 - Three heavy-duty racks/four rack positions
- Must be factory ordered for use with LP/propane gas (L) or natural gas (N)
 - LP/propane gas models equipped with high-capacity hose/regulator assembly
 - To convert a grill from natural to LP/propane, or LP/propane to gas, you must use a Viking conversion kit (see **Installation Notes & Accessories**)

Model Options



BQC053T1*
Outdoor Range™
Ultra-Premium
Cart with Oven

FINISH DETAILS

- Stainless Steel (SS)
- Brass Trim Option (BR)—includes nameplate, drawer handle/brackets, and knob bezels. Brass components have a durable protective coating for maintenance-free normal use.

*Shown throughout with VGBQ530 grill, sold separately.

ORDERING INSTRUCTIONS

You must specify fuel type ("N" or "L") following model number (BQC053T1NSS).
If ordering optional brass trim, specify code at end (BQC053T1NSSBR).





OUTDOOR—COOKING

53"W. Outdoor Range™ Ultra-Premium Grill Cart with Gas Oven



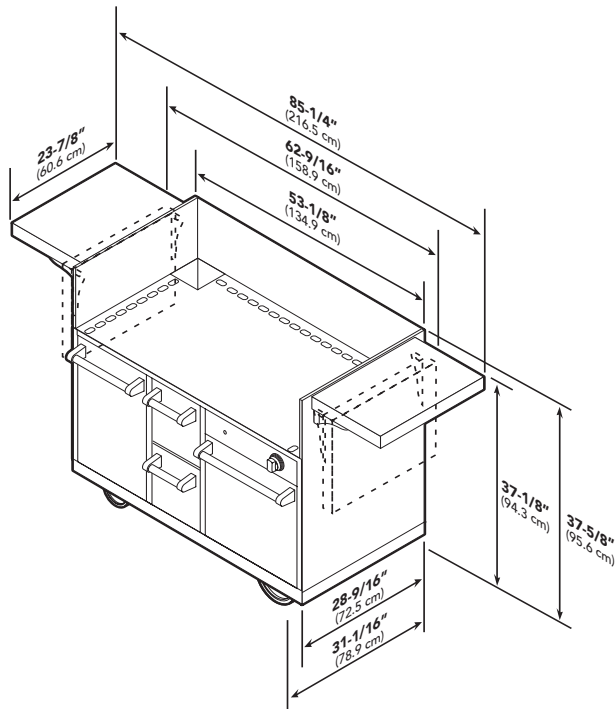
★ Please see Installation Notes and Accessories for important information, including grills, fuel conversion kits and protective covers.

Dimensions & Specifications

PRODUCT DIMENSIONS



BQC053T1
Outdoor Range™
Ultra-Premium
Cart with Oven



BQC053T1	
Overall width	53-1/8" (134.9 cm)
With shelves folded down	62-9/16" (158.9 cm)
With shelves extended*	85-1/4" (216.5 cm)
Overall height (from bottom of wheels)	37-5/8" (95.6 cm)
Overall depth	
To edge of side	28-9/16" (72.5 cm)
To end of handle bracket	31-1/16" (78.9 cm)
With LP drawer open	51-7/8" (131.8 cm)
Oven interior	
Width	18-1/8" (46.1 cm)
Height	12-7/16" (31.6 cm)
Depth	18-3/4" (47.6 cm)
Approx. ship wt. lbs. (kg)	319 (143.5)

*Shelves can be removed, but you must take them off before installing grill. (See Installation Instructions for removal.)





OUTDOOR—COOKING

53"W. Outdoor Range™ Ultra-Premium Grill Cart with Gas Oven

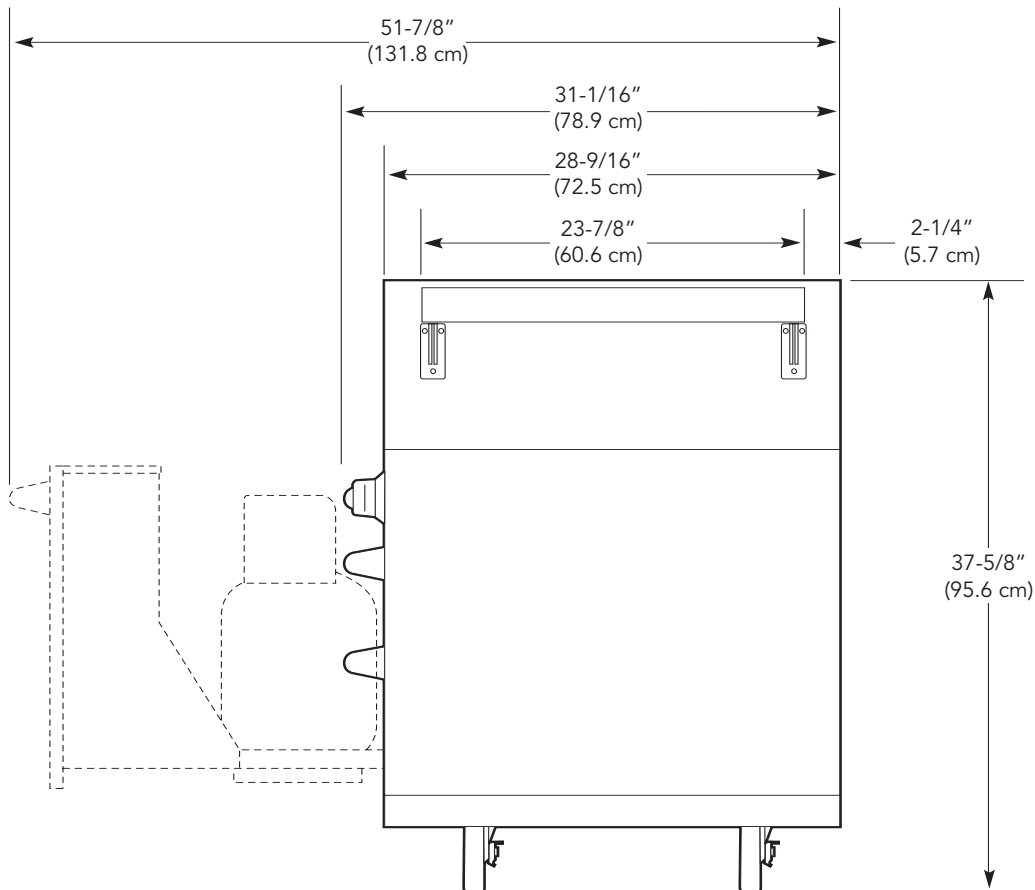


Dimensions & Specifications

DOOR SWING



BQC053T1
Outdoor Range™
Ultra-Premium
Cart with Oven





Installation Requirements



BQC053T1
Outdoor Range™
Ultra-Premium
Cart & Oven

UTILITY REQUIREMENTS



GAS

Burner rating

- One bake burner, @ 20,000 BTU (5.7 kW) Nat./LP

Fixed piping installations

- Check with local gas utility company or with local codes for instructions on installing gas supply lines. All gas connections should be made by a competent technician and in accordance with local codes and or ordinances. In the absence of codes, the installation must comply with the National Fuel Gas Code ANSI Z223.1.
- An installer-supplied gas shut-off valve must be installed in an easily accessible location. All installer-supplied parts must conform to local codes.
- Must be isolated from the gas supply piping system by closing its individual manual shut-off valve during any pressure testing of that system at test pressures equal to or less than 1/2 psi (3.5 kPa).

Natural gas models

- Water column pressure
 - Operating pressure—4.0" WCP

- Supply pressure of 6" – 14" WCP
- If incoming pressure exceeds 14" WCP, a step-down regulator is required.
- Accepts standard residential 1/2" (1.3 cm) ID gas service line; 1/2" (1.3 cm) NPT male with 7/8" (2.2 cm) flare adapter.
 - If using a Viking GSH12 flexible hose, remove the 1/2" (1.3 cm) flare adapter and attach hose to the 7/8" (2.2 cm) male flare on the regulator assembly.

LP/propane models

- Water column pressure
 - Operating pressure—10" WCP
 - Supply pressure of 11" – 14" WCP (for fixed piping installations)
 - If incoming pressure exceeds 14" WCP, a step-down regulator is required.
- Accepts standard residential 1/2" (1.3 cm) ID gas service line; 1/2" (1.3 cm) NPT male with 3/8" (0.95) flare adapter.

LP/propane tank installations

- Water column pressure
 - Operating pressure—10" WCP

- Includes high-capacity hose/regulator assembly for connection to a standard 5-gal./20-lb. (approx. 12" diameter/18"H.) LP/propane gas cylinder equipped with a Type 1, QCC-1 connector
 - The cylinder connection device must be compatible with the Type 1, QCC-1 connector on the outdoor cooking appliance.
 - The cylinder must be provided with a shut-off valve terminating in an LP/propane gas supply cylinder valve outlet specified.
 - The cylinder supply system must be arranged for vapor withdrawal and provided with a listed OPD (overfilling prevention device).



ELECTRICAL

- 9-volt DC battery for electronic ignition



PLUMBING

Not applicable



OUTDOOR—COOKING

53"W. Outdoor Range™ Ultra-Premium Grill Cart with Gas Oven



✦ Installation Notes & Accessories

Gas Grills

Note: Before installing a grill onto the cart, remove the grill's drip tray, grates, flavor grids, and warming racks.

- Stainless Steel (SS)
- 53"W. Ultra-Premium gas grills
- See individual product pages for more information and additional specifications.

Model	Description	Approx. ship wt. lbs. (kg)
VGBQ530	53"W. four-burner all grill	460 (208.8)
VGBQ532	53"W. three-burner grill w/side burner	490 (222.5)
VGIQ530	53"W. four-burner all grill w/TruSear	460 (208.8)
VGIQ532	53"W. three-burner grill w/side burners & TruSear	490 (222.5)

Gas Conversion Kits

- For field conversions
- Conversions should be performed only by an authorized technician
- Kit includes all hardware necessary for conversion

Model	Description	Approx. ship wt. lbs. (kg)
TNK-BQCO	Conversion kit—LP/propane to natural (for outdoor gas ovens)	3 (1.2)
TLPK-BQCO	Conversion kit—natural to LP/propane (for outdoor gas ovens)	3 (1.2)

12' Natural Gas Supply Hose & Quick Disconnect Assembly

- For use with natural gas fuel supply
- For outdoor use only with portable appliances that may be moved for convenience of operation
- Valve in the socket automatically allows full gas flow when the plug is connected, and prevents gas flow when the plug is disconnected
- Kit includes quick disconnect socket with female pipe threads, plug/hose assembly, and adapter to mate with female fitting on the grill (remove for mating hose to male fittings)

Model	Description	Approx. ship wt. lbs. (kg)
GSH12	Supply hose/disconnect assembly	3 (1.4)

Vinyl Covers

- Sturdy, reinforced vinyl exterior; felt-lined interior for protection

Model	Description	Approx. ship wt. lbs. (kg)
CV53T-C	Cover for 53"W. all grill & cart	15 (6.8)
CV53T-CSB	Cover for 53"W. grill w/side burners & cart	15 (6.8)

Compliance Information



WARRANTY SUMMARY*

- One-year full warranty—complete product
- Lifetime limited warranty—rust through on all stainless steel components
- Ten-year limited warranty—porcelain oven
- Five-year limited warranty—tube burners
- Two-year limited warranty—door hinges and drawer slides
- Ninety-day limited warranty—cosmetic parts such as glass, painted, & decorative items

* For complete warranty see *Use & Care Guide*. Warranty valid on Viking products shipped within the United States and Canada.



Free Manuals Download Website

<http://myh66.com>

<http://usermanuals.us>

<http://www.somanuals.com>

<http://www.4manuals.cc>

<http://www.manual-lib.com>

<http://www.404manual.com>

<http://www.luxmanual.com>

<http://aubethermostatmanual.com>

Golf course search by state

<http://golfingnear.com>

Email search by domain

<http://emailbydomain.com>

Auto manuals search

<http://auto.somanuals.com>

TV manuals search

<http://tv.somanuals.com>