

INSTALLATION INSTRUCTIONS

BUILT-IN BOTTOM MOUNT REFRIGERATOR/FREEZER BRTGK72SS-GRILLE KIT (FOR PROFESSIONAL SERIES ONLY)

VIKING RANGE CORPORATION
111 Front Street
Greenwood, Mississippi (MS) 38930 USA
(662) 455-1200

IMPORTANT - PLEASE READ AND FOLLOW

Make sure that incoming voltage is the same as unit rating. An electric rating plate specifying voltage, frequency, wattage, amperage, and phase is attached to the product.

Please refer to Installation Instructions provided with bottom mount refrigerator/freezer for additional information.

To reduce the risk of fire, electric shock, or injury to persons, installation work and electrical wiring must be done by qualified people in accordance with all applicable codes and standards, including fire-rated construction.

The installer should leave these instructions with the consumer who should retain for local inspector's use and for future reference.

GENERAL INFORMATION

Your safety and the safety of others is very important.

We have provided many important safety messages in this manual and on your appliance. Always read and obey all safety messages.

This is the safety alert symbol. This



symbol alerts you to hazards that can kill or hurt you and others.

All safety messages will be preceded by the safety alert symbol and the word "DANGER" or "WARNING".

These words mean:

! DANGER

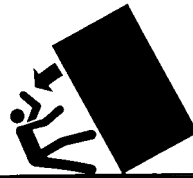
You will be killed or seriously injured if you don't follow instructions.

! WARNING

You can be killed or seriously injured if you don't follow instructions.

All safety messages will identify the hazard, tell you how to reduce the chance of injury, and tell you what can happen if the instructions are not followed.

! WARNING



TIP OVER HAZARD

Refrigerator is top heavy and tips easily when not completely installed.

Keep doors closed until refrigerator is completely installed and secured with lag bolts to rear wall.

Use two or more people to move and install refrigerator.

Failure to do so can result in death or serious injury

Most of the refrigerator's weight is at the top. Extra care is needed when moving the refrigerator to prevent tipping. Keep cardboard shipping piece or plywood under refrigerator until it is installed in the operating position.

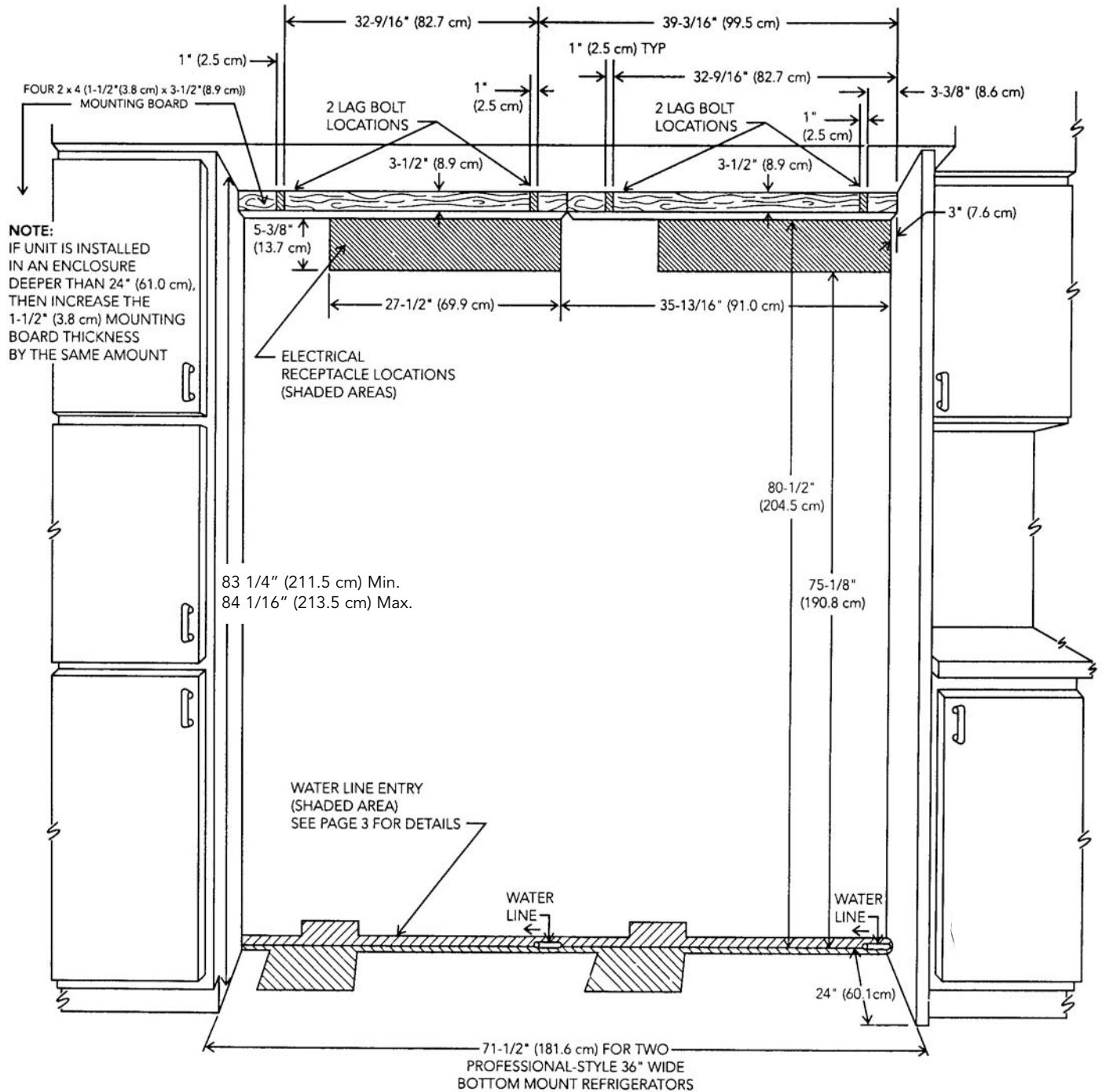
It is your responsibility to :

- comply with installation specifications and dimensions
- properly install refrigerator
- remove any moldings or decorative panels that prevent the refrigerator from being serviced
- make sure that you have these materials, (not provided with the unit), which are necessary for proper installation:
 - 2 - 1/4" (6 mm) copper tubing with shutoff valve
 - 2 - 1/4" (6mm) compression fitting
 - 6 - #8 x 3" (7.6 cm) wood screws (Longer screws may be required.)
 - 2 - saddle valves (do not use self-piercing valves).

- assure that floor will support refrigerator, door panels and contents, (approximately 1200 lbs. [540 kg.])
- provide a properly grounded electrical outlet
- assure that location will permit appliance doors to open 90° minimum

SITE PREPARATIONS AND CONSIDERATIONS

PROFESSIONAL 36" W. BOTTOM MOUNT DUAL INSTALLATION, CABINET OPENING DIMENSIONS



WATER SUPPLY REQUIREMENTS

! WARNING

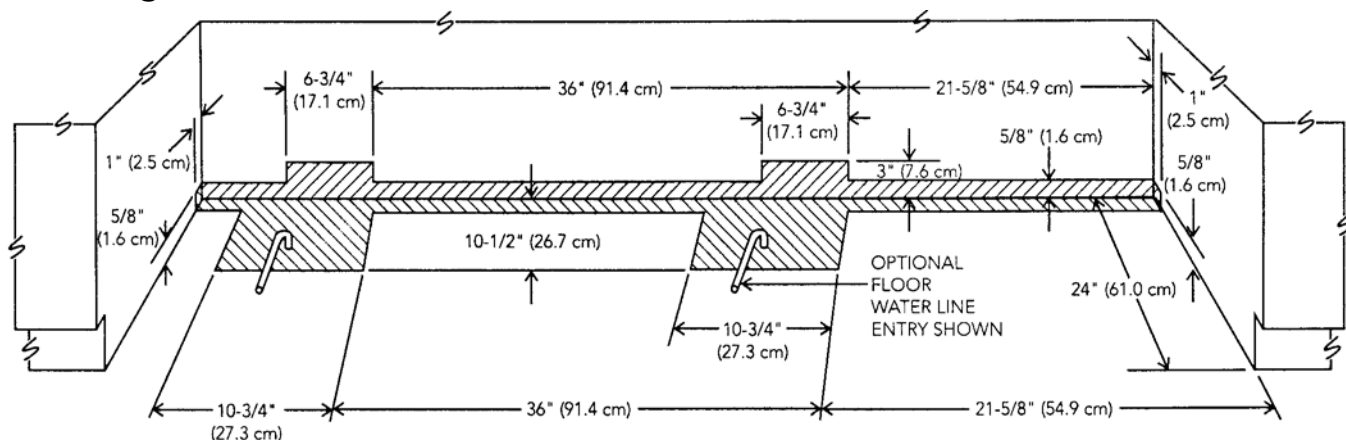
ELECTRICAL SHOCK HAZARD

Some water may remain in line. Electric drill must be grounded to prevent severe or lethal shock if water is in line and enters drill during use.

Use only 1/4" (6 mm) copper tubing for water line. Do Not install copper tubing in area where temperatures drop below 35°F (1.7°C). Before attaching copper tubing to refrigerator, flush at least 2 quarts (1.9 L) of water through the copper tubing and into a bucket to get rid of any particles in the water line.

- Connect 1/4" (6mm) flexible copper tubing to household plumbing in compliance with local codes and ordinances.
- Length of copper tubing must reach from water supply connection to refrigerator connection plus an additional length to facilitate moving the refrigerator out of enclosure for cleaning or service. Tubing should be soft instead of rigid and ends should be free of burrs.
- Copper tubing route must be above 35°F (1.6°C) to prevent water line from freezing.
- If saddle valve is not used, place a separate shut-off valve in an easily accessible location between water supply and refrigerator. Do not locate shut-off valve behind refrigerators.
- **Do not use plastic water lines.**
- **Do not use self-piercing valve.** Viking Range Corporation is not responsible for property damage due to improper installation or water connection.
- **Do not use with reverse osmosis water filtration system. This will void warranty**
- Connect a vertical or horizontal 1/2" (1.2 cm) to 1 1/4" (3.2 cm) COLD water line near refrigerator area.
- Run water line through the floor, back or side wall. Tubing should lay flat on floor underneath refrigerator. Clamp tubing to wall or floor.
- Water pressure must be greater than 20 psi and less than 120 psi.

Plumbing Dimensions

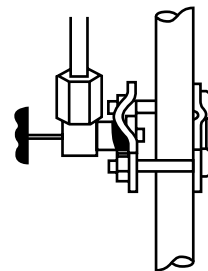


To rough in water line:

1. Turn OFF main water supply. Turn ON nearest faucet long enough to clear line of water.
2. **Vertical cold water line:** Use grounded electric drill or hand drill to drill 3/16" (4.5 mm) hole in an easily accessible location in water line.

Horizontal cold water line: Use grounded electric drill or hand drill to drill 3/16" (4.5 mm) hole in the TOP of the water line. This will keep sediment from collecting in valve.

3. Position washer over hole in water line. Place both halves of saddle valve bracket against water line. Turn saddle valve handle clockwise until firmly seated. The saddle valve is now in the closed position. Tighten packing nut. Evenly and firmly tighten bracket screws so washer will make a water-tight connection. **Do not overtighten screws: copper tubing could be crushed.**
4. Check that both ends of copper tubing are cut square. Slide compression nut and sleeve onto copper tubing. Insert end of copper tubing completely into valve outlet. Tighten compression nut to outlet with adjustable wrench. **Do not overtighten.**




5. Turn on main water supply. Check for leaks. Turn saddle valve handle counterclockwise and run water through copper tubing and into a bucket. Turn saddle valve clockwise to shut off water to copper tubing.
6. Route copper tubing to refrigerator area or water filter area.
7. Leave an additional length of copper tubing coil to facilitate moving the refrigerator out of enclosure for cleaning or service.
8. See page 11 for water connection instructions.

AREA REQUIREMENTS

Verify the following:

- Refrigerators can fit into residence and can be moved around corners and through doorways.
- Floors can support refrigerator's weight plus food weight (approximately 1200 pounds each).
- Rear wall is solid and is able to support a (2) horizontally mounted 2X4s (included) bolted to 2 wall studs. The 2X4 board bolt heads must be flush with 2X4 to prevent obstruction.
- Remove anything attached to rear or side walls that can obstruct refrigerator opening.
- Cutout dimensions are accurate.
- Electrical outlet is in correct location.
- Water line in in correct location.

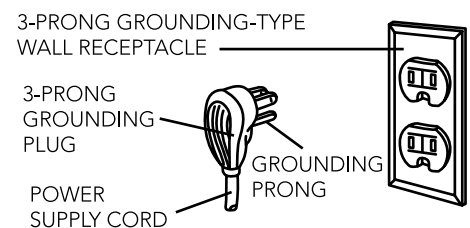
ELECTRICAL REQUIREMENTS

! WARNING	
	ELECTRICAL SHOCK HAZARD
	Plug into a grounded 3-prong outlet.
	DO NOT remove ground plug.
	DO NOT use an adapter.
	DO NOT use an extension cord.
Failure to follow these instructions could result in fire or electrical shock.	

If codes permit a separate grounding wire to be used, it is recommended that a qualified electrician determine that the grounding path is adequate. **Do Not** ground to a gas pipe. Check with a qualified electrician if you are not sure the appliance is properly grounded. **Do Not** have a fuse in the neutral or grounding circuit.

It is the customer's responsibility to:

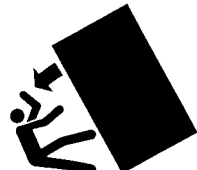
- contact a qualified electrical installer.
- assure that the electrical installation is adequate and in conformance with the National Electrical Code, ANSI/NFPA 70-latest edition or Canadian Electrical Code C22.1-1998 and C22.2 No. 0-M91 (or latest edition), and all local codes and ordinances. 120 volt, 60-Hz, 15 amp, fused, electrical supply is required. It is recommended that a separate circuit serving only this appliance be provided. This appliance is equipped with a power supply cord having a 3-prong grounding plug. To minimize possible shock hazard, the cord must be plugged into a mating 3-prong, grounding-type wall receptacle. **Do not use an extension cord.**



Anti-Tip Requirements

The anti-tip boards should be fastened into position prior to moving the unit into the opening.

Note: The space between the rear of the refrigerator cabinet and the condensing unit assembly housing is 1 1/2" (3.8 cm) deep. Additional mounting boards may be required if the refrigerator does not touch the back wall of the enclosure

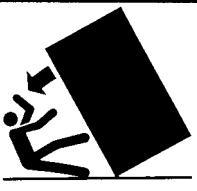
! WARNING	
	TIP OVER HAZARD
	Refrigerator is top heavy and tips easily when not completely installed. Keep doors closed until refrigerator is completely installed. Use two or more people to move and install refrigerator. Failure to do so can result in death or serious injury

REFRIGERATOR INSTALLATION

⚠ WARNING
 Use two or more people to move and install refrigerator. Failure to follow this instruction can result in back or other injury. To avoid personal injury, wear gloves when performing any installation procedure and wear eye protection when cutting metal straps.

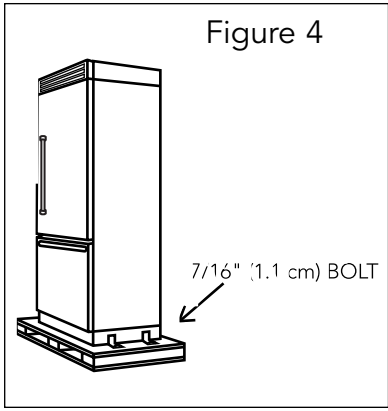
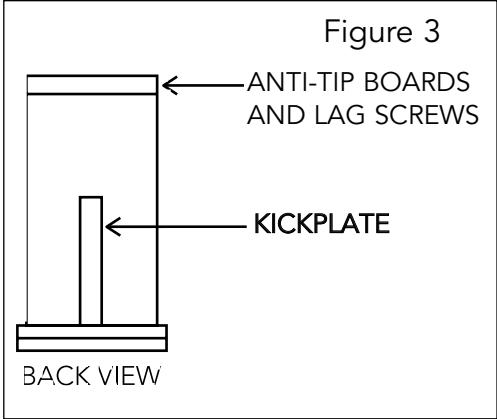
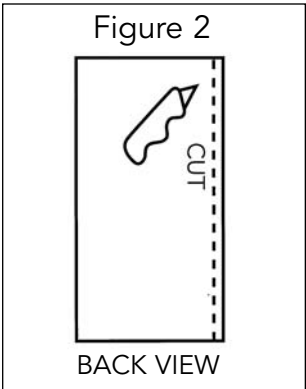
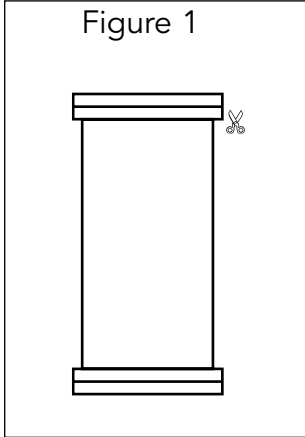
⚠ WARNING

TIP OVER HAZARD
 Refrigerator is top heavy and tips easily when not completely installed. Keep doors closed until refrigerator is completely installed and secured with lag bolts to rear wall. Use two or more people to move and install refrigerator. Failure to do so can result in death or serious injury.

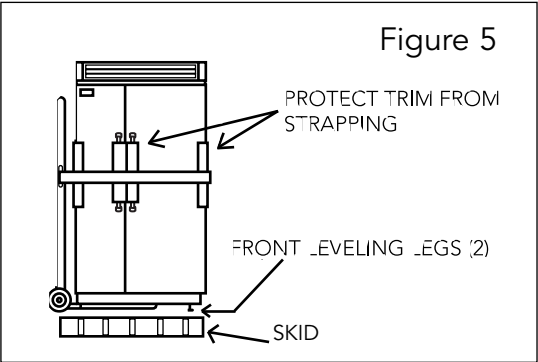


Most of the refrigerator's weight is at the top. Extra care is needed when moving the refrigerator to prevent tipping. **Do Not** remove protective film until refrigerator is in operating position. All four leveling rollers must contact the floor to support and stabilize the full weight. Do not drop refrigerator.

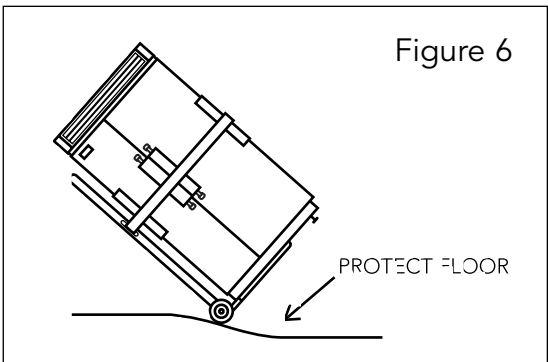
1. Remove exterior shipping materials prior to moving refrigerator into home. Remove top and bottom strap (see Figure 1).
2. Remove top cap (see Figure 1).
3. Cut carton rear approximately 1/4" (.64 cm) to 1" (2.5 cm) from right corner (see Figure 2) with a utility knife extended 1/4" (.6 cm). Remove carton, exterior packaging, and lag screw tape. Save cardboard shipping material to protect floor surface when installing refrigerator. Do not remove nylon cord from power cord. Remove anti-tip board, lag screws, door trim insert, and kickplate from rear of refrigerator (see Figure 3).
4. Remove shipping brackets from skid by removing 4 bolts (2 each side) with a 7/16" socket head screwdriver (see Figure 4).
 - Tilting refrigerator is not required to remove shipping brackets.



5. Slip cart between refrigerator and skid. Remove refrigerator from skid. Use excess packaging to protect decorative trim. Verify that leveling legs are up (0" adjustment) (see Figure 5).



6. To avoid floor damage, use protective material (see Figure 6).

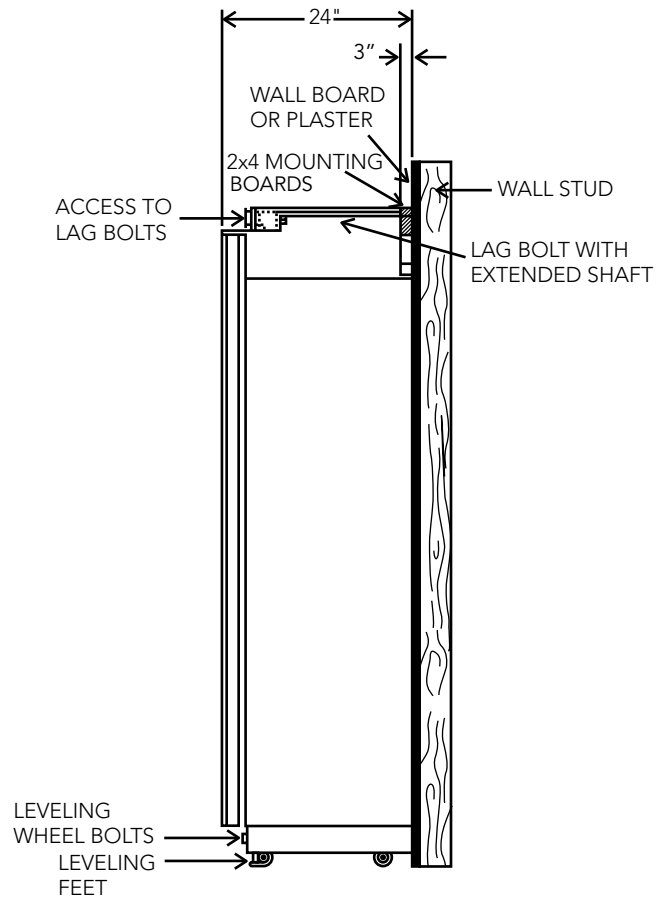


REFRIGERATOR INSTALLATION (con't)

Securing the refrigerators

1. Locate and predrill 1/4" (.6 cm) holes in the first mounting board (supplied). Countersink the bolt heads into the 2 x 4 board using a 1-1/8" (2.9 cm) counterbore wood bit 1-1/4" (.6 cm) deep. Locate and mark 2 wall studs to mount the first 2 x 4 board. Do not cover the electrical outlet (see "Site Preparations" on p. 3).
2. Bolt anti-tip mounting board securely to wall studs.
3. Predrill 1/4" (.6 cm) in second mounting board (supplied). Countersink the bolt heads into the 2x4 board using a 1-1/8" (2.9 cm) counterbore wood bit 1/4" (.6 cm) deep.
4. Attach flush to first 2x4.
If application does not have studs, mount to the wall using a minimum of four 1/4" (.6 cm) diameter fasteners (not supplied). **If cabinets are deeper than 24", mounting board must be shimmed. The shim must be structurally secured to the mounting board.**

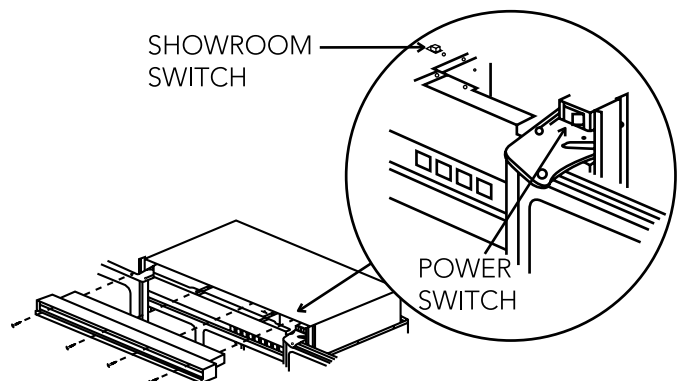
NOTE: THE SPACE BETWEEN THE REAR OF THE REFRIGERATOR CABINET AND THE CONDENSING UNIT ASSEMBLY HOUSING IS 3" (7.6 CM) DEEP. ADDITIONAL MOUNTING BOARDS MAY BE REQUIRED IF THE UNIT DOES NOT TOUCH THE BACK WALL OF THE ENCLOSURE.

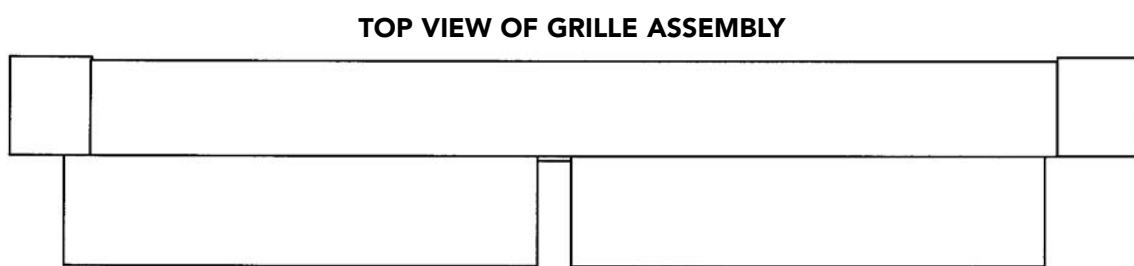
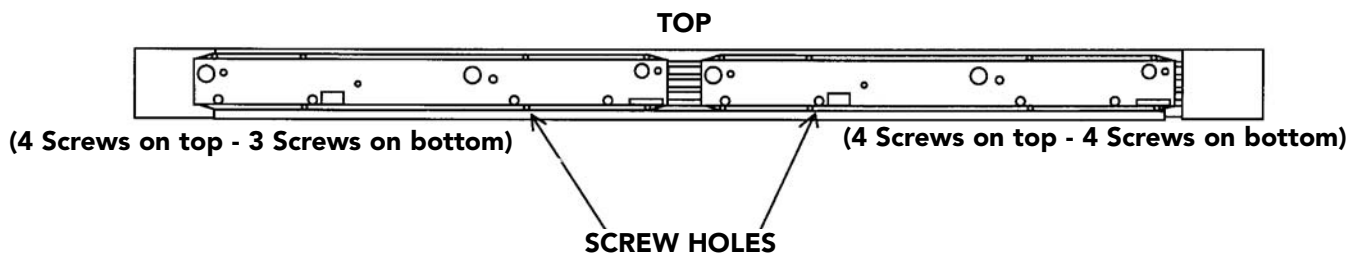


5. To avoid water line damage, verify water line is secure so refrigerator does not run over the water line when moved into opening.
6. Repeat steps above for second refrigerator.

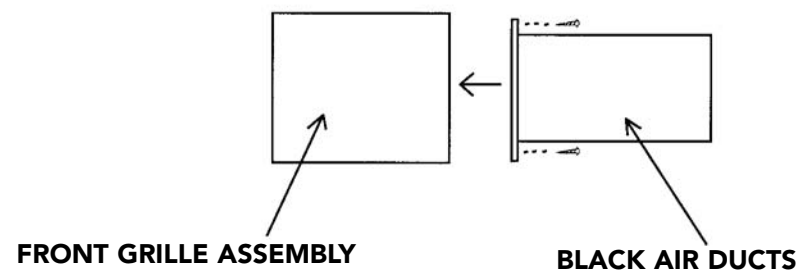
Before moving the refrigerators in place, confirm the finished dimensions, electrical, and plumbing locations, minimum door clearances, and door panel installations are accurate (see pages 2, 3, & 4).

7. Position refrigerators in front of cutout.
8. Remove the top air grille assemblies from both of the refrigerators. (See illustrations on page 7)
 - a. Remove the center grille blades by lifting up and pulling forward.
 - b. Remove the grille/end cap assembly by removing the four (4) screws in each black air duct.
 - c. Remove the black air ducts by removing the eight (8) screws on the right hinge model and the seven (7) screws on the left hinge model. Save the air ducts for the 72" grille installation.
9. Verify operation by plugging power cord. **Power switch will be shipped in the ON position and showroom switch will be in the ON position.** (If showroom switch is switched to the "OFF" position, showroom mode is engaged and power is shut off to the compressor. This mode is for showroom display only.)





**EXPLODED SIDE VIEW OF GRILLE ASSEMBLY
(15 Screws Used)**

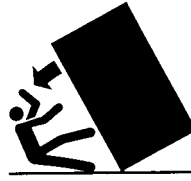


REFRIGERATOR INSTALLATION (con't)

! WARNING

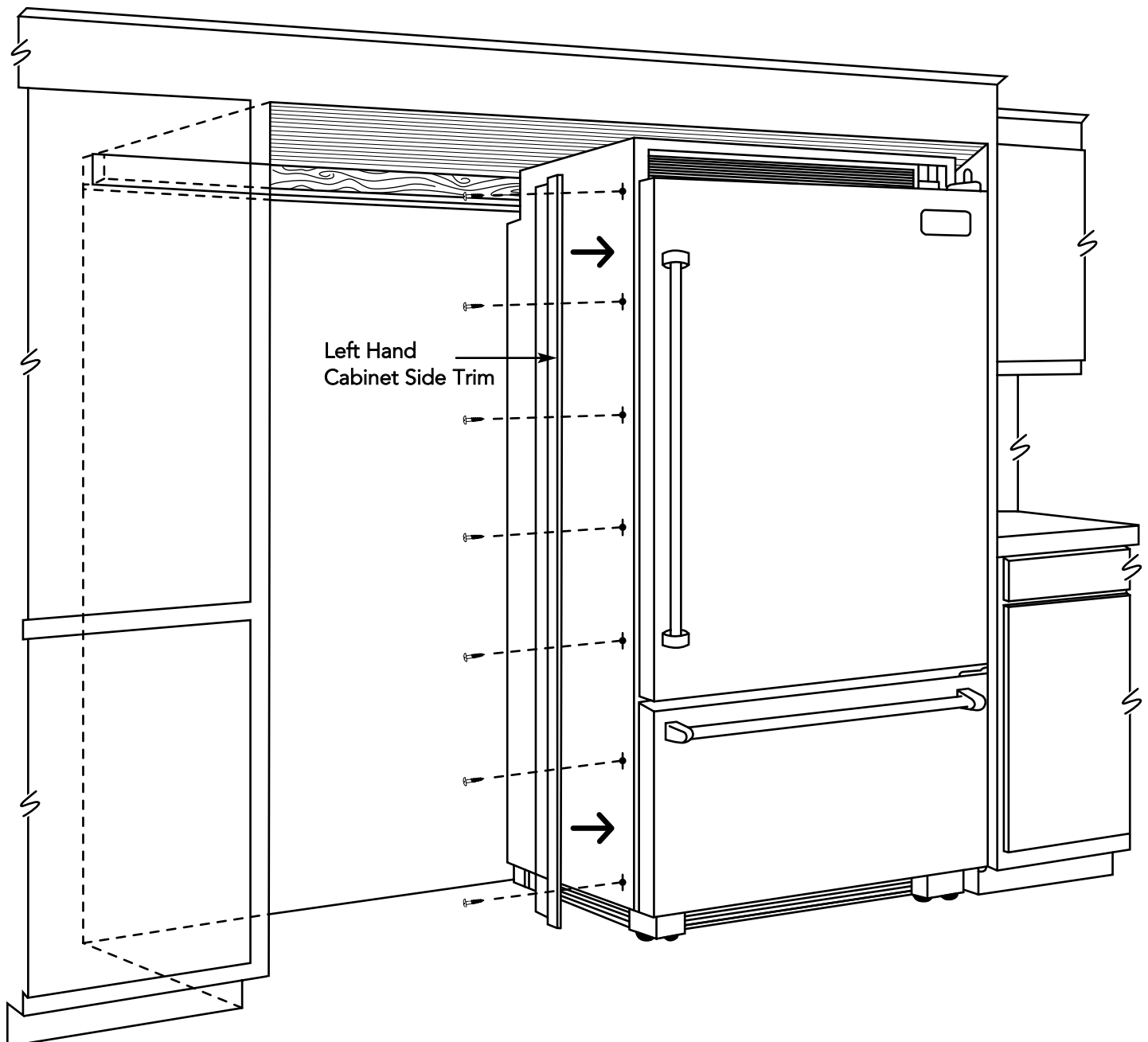
Use two or more people to move and install refrigerator. Failure to follow this instruction can result in back or other injury. To avoid personal injury, wear gloves when performing any installation procedure and wear eye protection when cutting metal straps.

! WARNING



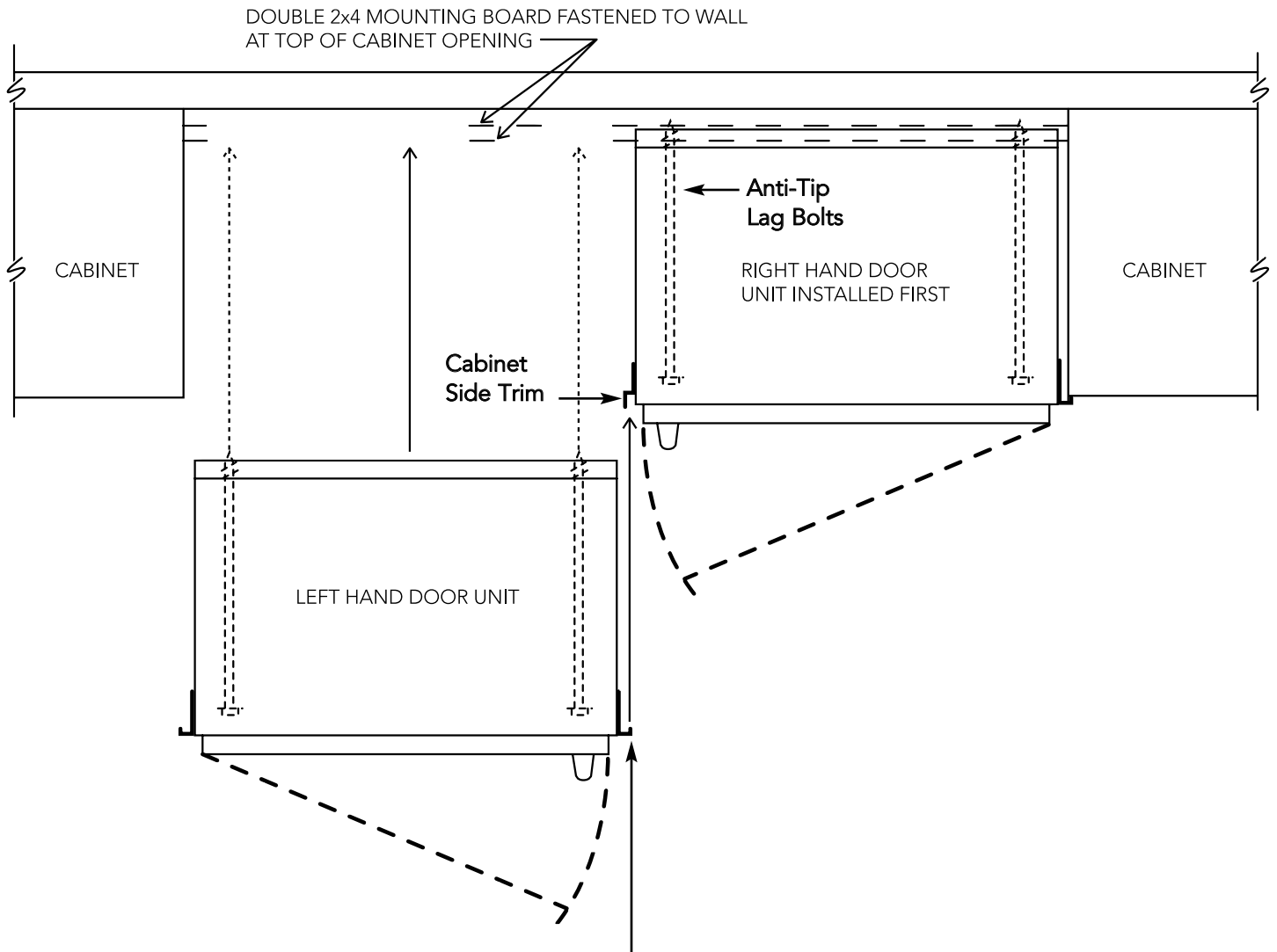
TIP OVER HAZARD
Refrigerator is top heavy and tips easily when not completely installed.
Use two or more people to move and install refrigerator. Failure to do so can result in death or serious injury

10. Remove cabinet side trim that is mounted on the left hand side of the refrigerator that is to be installed on the right side of the installation. Replace this side trim with the side trim included in the 72" grille kit.



REFRIGERATOR INSTALLATION (con't)

11. Position the left hand unit so when rolled into the opening, the right hand refrigerator's left side trim engages into the "U" shaped portion of the left side refrigerator's right side trim.



NOTE: When leveling each refrigerator and installing water connections, refer to installation instructions provided with each unit.

Cabinet Side Trim
(NOTE: "U" Shape)



Electrical Shock Hazard
 Disconnect power or turn power disconnect switch to OFF position before performing any installation procedure. Failure to do so can result in death or electrical shock

12. Roll refrigerators into cutout to within 3" (7.6 cm) of being flush with kitchen cabinets. To avoid kitchen cabinet damage, place cardboard between kitchen cabinets and refrigerator. Push cardboard back with refrigerator and remove cardboard when refrigerators are in place. Remove power cord slack by pulling nylon cord straight out while pushing refrigerator completely into place. Power and nylon cords will rest along refrigerator side. **Note: When moving the unit into position, be careful not to crimp, kink, or crush the copper water supply line.**

13. Adjust to desired height and level refrigerator by turning front and rear leveling wheel bolts clockwise to raise refrigerator and counterclockwise to lower refrigerators. Level refrigerators so that the door tops are in the same planes and that the door gap between the two units is even (refrigerator sides are parallel).

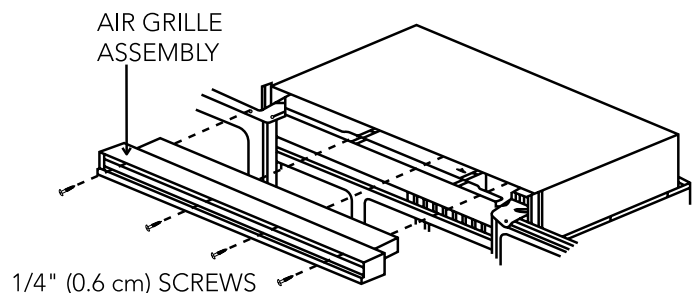
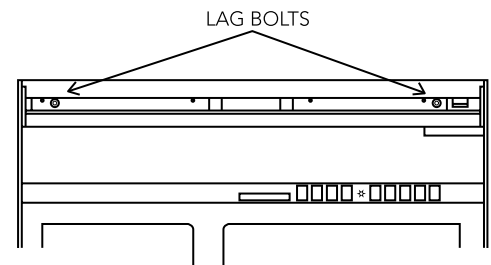
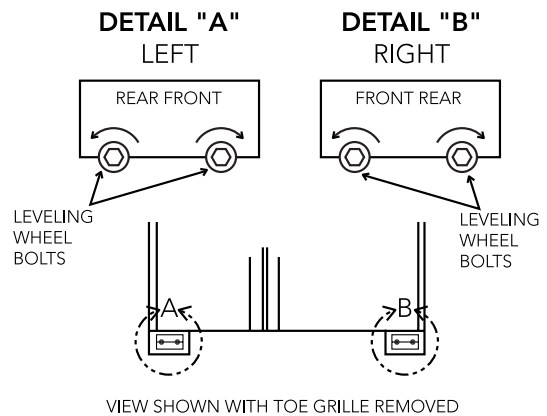
14. Align refrigerators with sides of kitchen cabinets by adjusting leveling wheels. Rotate leveling feet until firmly in place against floor.

15. Assemble and install 72" grille. See page 11 for instructions.

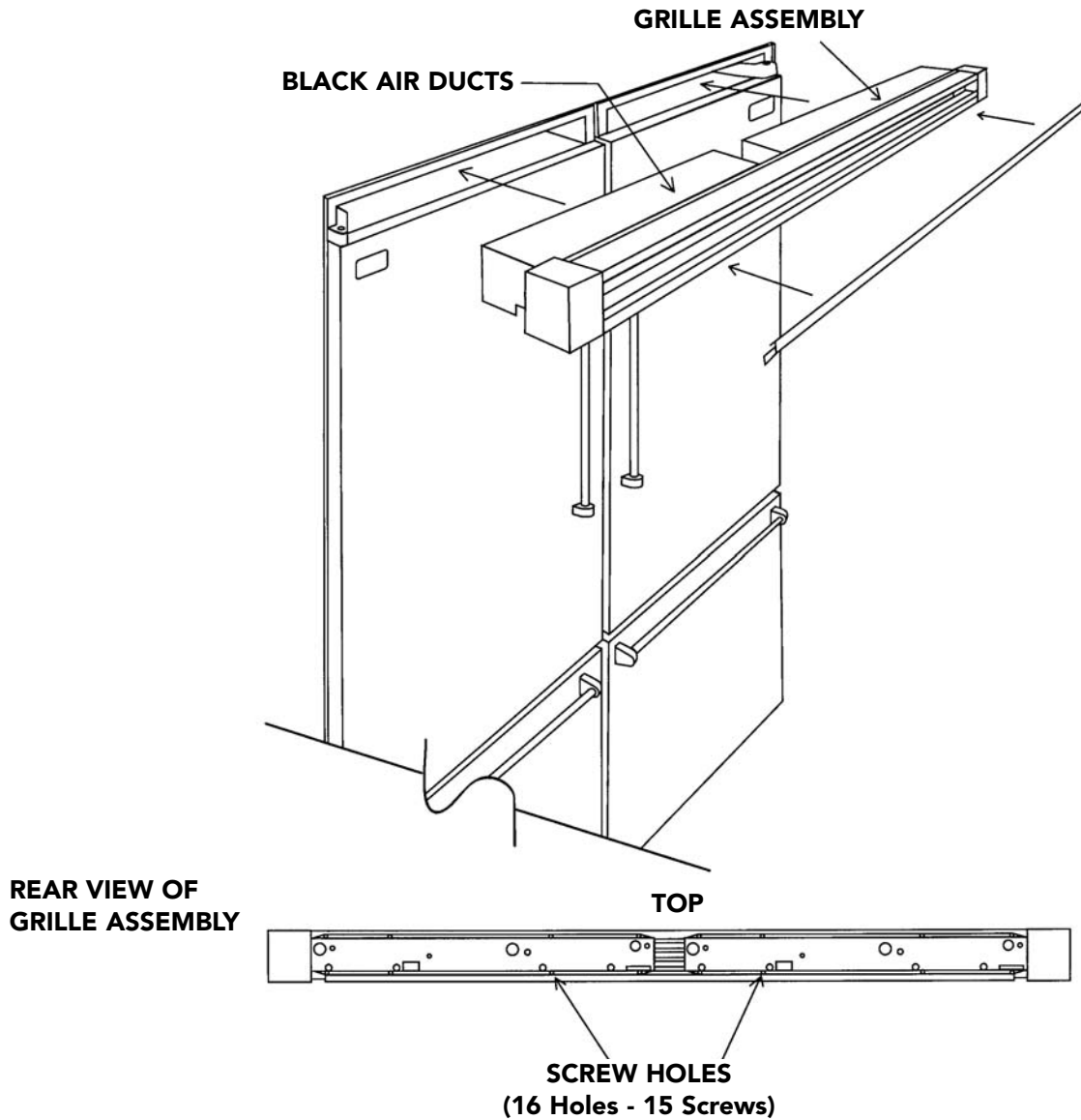
16. Secure lag bolts. Screw lag bolts securely into 2 x 4 mounting board(s) using an 8" (20.3 cm) long 7/16" socket. Refer to "Site Preparation" section on page 2 for more information.

17. Open doors. Displays should flash. Press any key. There is a 6 minute delay before the refrigerator starts. Verify the position of each switch if there is no power to refrigerators

18. Replace center grill blade.



72" GRILLE ASSEMBLY



To assemble/install 72" grille:

1. Assemble air ducts to 72" grille using the supplied 15 screws.
2. Remove 72" center grille blade by lifting up and pulling forward.
3. Insert air ducts and 72" grille into refrigerators. Screw air ducts into units with four screws per unit.
4. Return to step 16 on page 10 to secure refrigerators.

WATER CONNECTION

- Refer to water supply requirement section for preliminary installation and site preparation (see page 3).
- Do not use plastic water lines between refrigerator and supply . Plastic water lines can fail due to fatigue over time and cause extensive damage to product and the home.**
- Use only 1/4" (.6 cm) copper tubing for water line.**
- Do not connect to reverse osmosis water filtration system.**

The garden hose fitting, compression nut, and sleeve are located in the literature packet.

1. Pull copper line from plumbing forward from underneath refrigerator (see Figure A). Flush air and impurities from water line by turning on water supply and running two (2) quarts of water into a bucket. Remove plastic cap from water valve fitting.
2. Loosely connect garden hose fitting to water valve inlet port (see Figure B).
3. Slide copper tubing through brass ferrule, and brass sleeve (see Figure C).
4. Connect brass nut on copper tubing to garden hose fitting (see Figure D).
5. Tighten garden hose fitting.
6. Turn on water supply to refrigerator and check for leaks.
7. Turn off water supply to refrigerator and correct any leaks. Repeat this process until no leaks exist.
8. Completely turn on water supply to refrigerator.
9. Verify drain pan is installed and aligned. Drain pan must be pushed past and over initial stopping point.

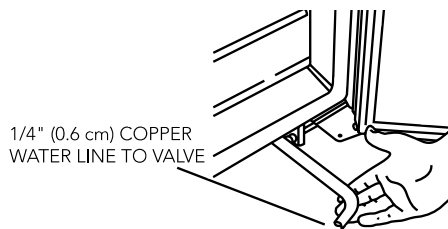


Figure A

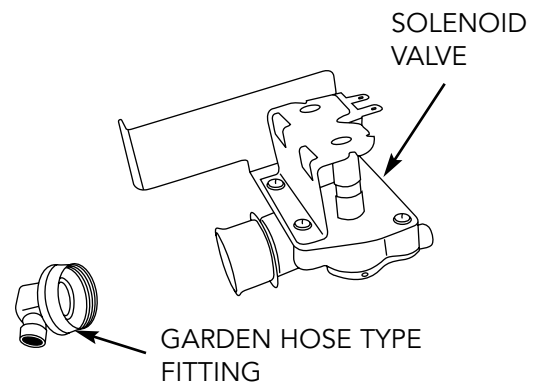


Figure B

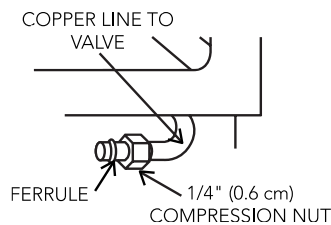


Figure C

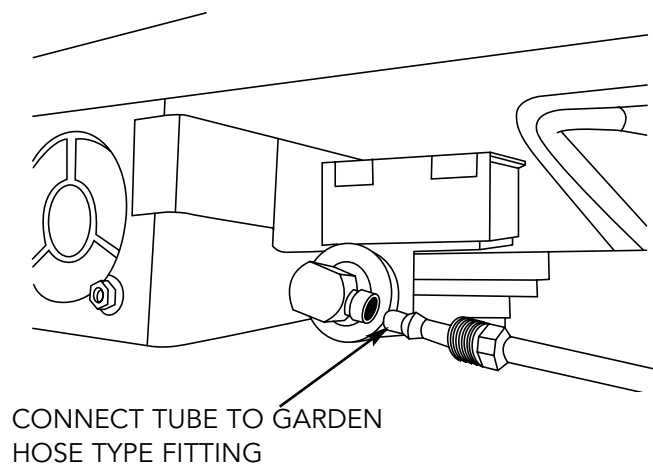


Figure D

KICKPLATE INSTALLATION

The kickplate consists of a (2) part assembly: one top vented panel and one bottom solid panel. Install kickplate with air vents to the top. Kitchen flooring must allow kickplate to be removed. See "Site Preparations" for height clearance (page 2).

To Install:

1. Insert the bottom (solid panel) into the open end of the top (vented) panel. The holes in the bottom panel (Item C) should line up with the slots (Item A) in the top panel.
2. Position the kickplate assembly along the front edge of the refrigerator.
3. Attach the clip (Item B) to the top of the top panel to hold drain pan in place. This clip is designed to hold the drain pan in place after the kickplate is installed.
4. Align the holes (Item D) on both ends of the top (vented) panel with the holes in the base of the refrigerator.
5. Attach the kickplate to the refrigerator on each side with the two chrome screws.
6. Adjust the bottom (solid) panel to the desired height and fasten in place by placing the black screws through the slots (Item A) on each end of the top panel and into the hole (Item C) on the bottom panel and fasten securely.

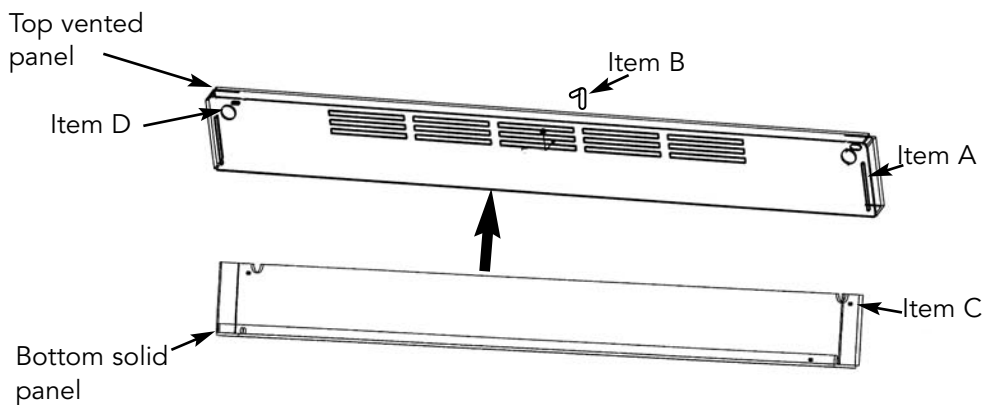


Figure 1

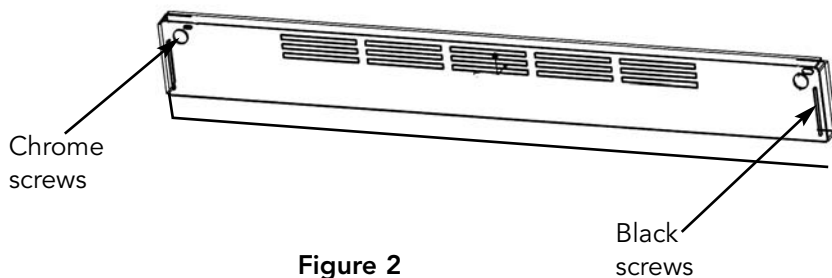
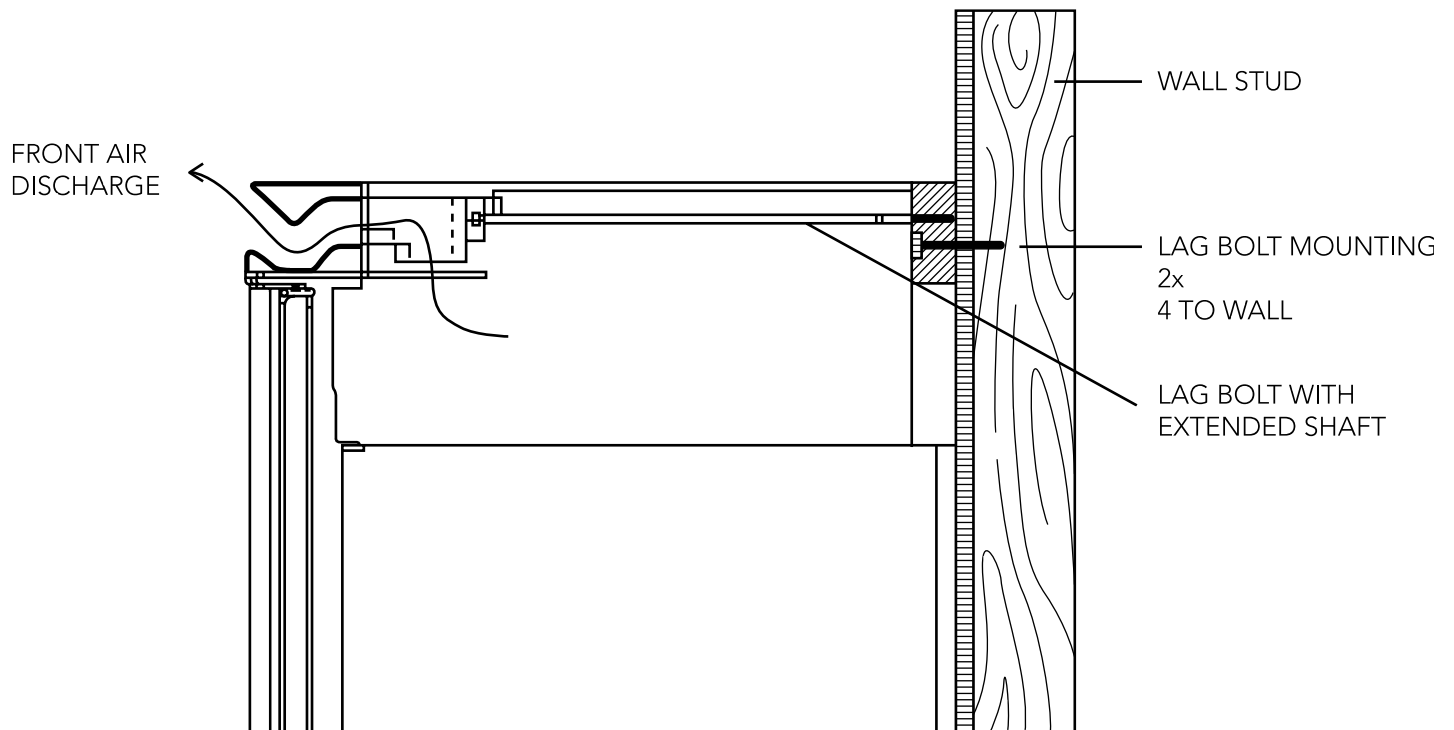


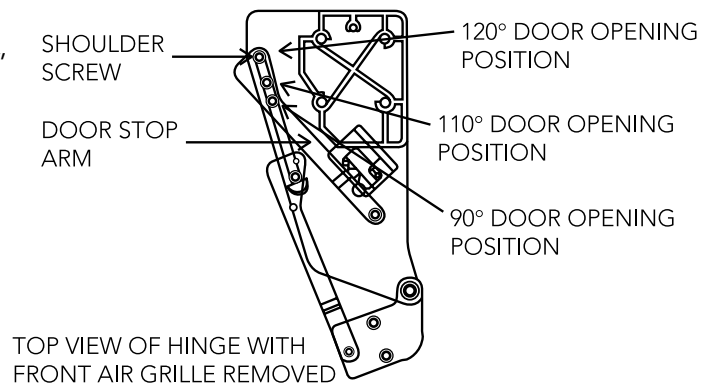
Figure 2

AIR DISCHARGE SIDE VIEW



DOOR STOP ADJUSTMENT

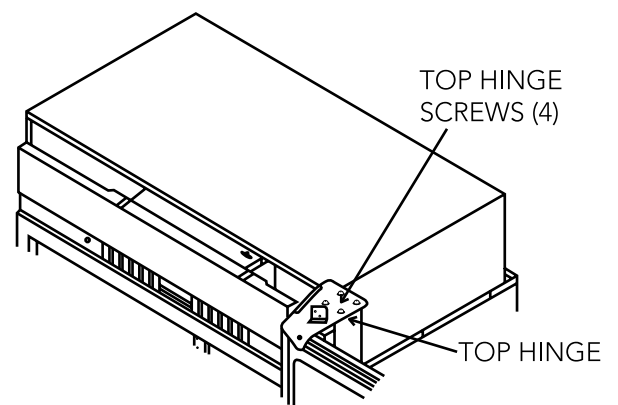
1. Remove center grill louver from the top air grill assembly.
2. Remove top air grill by removing (4) 1/4" screws with an 8" (20.3 cm) long magnetic 1/4" (.6 cm) nut driver. Pull assembly forward.
3. Open refrigerator door so door stop arm and shoulder screw are accessible. Shoulder screws should be in 110° door opening position.
4. Remove shoulder screw and place shoulder screw in the 90° or 120° door opening position.
5. Replace to air grille assembly.



HINGE ADJUSTMENT

Verify proper door alignment. Only the top hinge is adjustable.

1. Remove the center grill louver from the top air grille assembly.
2. Remove top air grill by removing (4) 1/4" screws with an 8" (20.3 cm) long magnetic 1/4" (.6 cm) nut driver. Pull assembly forward.
3. Loosen the (4) top hinge screws.
4. Align refrigerator door by lifting.
5. Tighten screws.
6. Replace top air grille assembly.



BASIC SPECIFICATIONS AND DIMENSIONS

DESCRIPTION	VCBB363 - DUAL INSTALLATION
Overall Width	72" (182.8 cm)
Overall Height from Bottom	Min. 83 1/4" (211.5 cm) to Max. 84 1/16" (213.5 cm)
Overall Depth from Rear	To rear edge of side trim 22 3/16" (56.4 cm) To front of top grille 24 11/16" (62.7 cm) To end of handle bracket 27 1/4" (69.2 cm)
Cutout Width	71 1/2" (181.6 cm)
Cutout Height	83 1/4" (211.5 cm) min.; 84 1/16" (213.5 cm) max.
Cutout Depth	24" (61.0 cm) min.
Electrical Requirements	(2) - 115 volt, 60 Hz, 15 amp dedicated circuit; 3-wire cord with grounded 3-prong plug attached to product.
Maximum Amp Usage	9.9 amps (per unit)
Inlet Water Requirements	(2) - 1/4" copper tubing inlet waterline; minimum 20 psi; maximum 120 psi
Overall Interior Dimensions	(per unit)
•Refrigerator	15.2 cu. ft. (.43 cu. meters)
•Freezer	5.1 cu. ft. (.14 cu. meters)
•Total Capacity	20.3 cu. ft. (.57 cu. meters)
Approximate Shipping Weight	575 lbs. (258.8 kg) - <u>per unit</u>

Viking Range Corporation
111 Front Street • Greenwood, Mississippi (MS) 38930 USA • (662) 455-1200

Specifications subject to change without notice
For more product information, call 1-888-VIKING1 (845-4641), or visit our web site at <http://www.vikingrange.com>

F20083A

(PS0202VR)

Free Manuals Download Website

<http://myh66.com>

<http://usermanuals.us>

<http://www.somanuals.com>

<http://www.4manuals.cc>

<http://www.manual-lib.com>

<http://www.404manual.com>

<http://www.luxmanual.com>

<http://aubethermostatmanual.com>

Golf course search by state

<http://golfingnear.com>

Email search by domain

<http://emailbydomain.com>

Auto manuals search

<http://auto.somanuals.com>

TV manuals search

<http://tv.somanuals.com>