



### Standard Features & Accessories

#### All models include

- Total capacity—27.1 cu. ft. (767.0 L)
  - 84"H./24"D.
- ProChill™ Temperature Management System
  - Variable-speed single compressor system includes the quietest, most technologically advanced compressor available
  - Electronic controls maintain the temperature selection within 1°F
  - Multi-channel airflow system removes odors and excess humidity
- Frost-free refrigerator
  - Capacity—18.5 cu. ft. (523.6 L)
  - Five adjustable tempered glass spillproof shelves
  - Convertible temperature-controlled Meat Savor™/produce drawer with precision ball-bearing glides
    - Separate temperature control can be set for produce or fresh meat storage
- Frost-free freezer
  - Capacity—8.6 cu. ft. (243.4 L)
  - Adaptive defrost
  - Factory-installed, automatic ice maker
  - Three wire shelves and one slide-out basket
- Quick-chill option chills foods and beverages in minutes
- Two moisture adjustable see-through produce drawers with precision ball-bearing glides
- Two in-the-door dairy compartments
- Four adjustable aluminum door bins
- Top-shelf provides quick chill-down area
- Standard accessories include egg bin and butter tray
- Three large adjustable aluminum door bins

### Model Options



**VCSB483D/VISB483D**  
Professional/Professional  
Integrated

- FINISH DETAILS FOR VCSB/VISB MODEL**
- Stainless Steel (SS), Black (BK), White (WH), Metallic Silver (MS), Graphite Gray (GG), Stone Gray (SG), Taupe (TP), Biscuit (BT), Cotton White (CW), Oyster Gray (OG), Golden Mist (GM), Lemonade (LE), Sage (SA), Mint Julep (MJ), Sea Glass (SE), Iridescent Blue (IB), Viking Blue (VB), Pumpkin (PM), Racing Red (RR), Apple Red (AR), Burgundy (BU), Plum (PL), Chocolate (CH), and Cobalt Blue (CB).
  - Finish codes designate door fronts. Stainless steel upper grille, side trim, and handles (with chrome-plated brackets); black lower kickplate.
  - Brass Trim Option (BR)—nameplate, handle/brackets, and side trim. Brass components have a durable protective coating for maintenance-free normal use.



**DDSB483D**  
Designer

- FINISH DETAILS FOR DDSB MODEL**
- Stainless Steel (SS), Black (BK), White (WH), Metallic Silver (MS), Graphite Gray (GG), Stone Gray (SG), Taupe (TP), Biscuit (BT), Cotton White (CW), Oyster Gray (OG), Golden Mist (GM), Lemonade (LE), Sage (SA), Mint Julep (MJ), Sea Glass (SE), Iridescent Blue (IB), Viking Blue (VB), Pumpkin (PM), Racing Red (RR), Apple Red (AR), Burgundy (BU), Plum (PL), Chocolate (CH), and Cobalt Blue (CB).
  - Finish codes designate door fronts. Stainless steel upper grille, side trim, and handles, with black lower kickplate.
  - Brass Trim Option (BR)—handle. Brass components have a durable protective coating for maintenance-free normal use.



**DFSB483D**  
Custom Front

- FINISH DETAILS FOR DFSB MODEL**
- Handles not included—opt for custom handles, or purchase a Viking Professional Series or Designer Series handle kit (see **Installation Notes & Accessories**).
  - See **Custom Panels** section for more information and additional specifications.

#### ORDERING INSTRUCTIONS

First specify model number, and then color code (VCSB483D**SS**). If ordering optional brass trim, specify code at end (VCSB483D**SSBR**).



# REFRIGERATION

## Built-In 48"W. Side-By-Side Refrigerator/Freezer with Dispenser



★ Please see Installation Notes & Accessories for important information, including panel, and handle kits, and water filters.



ALL MODELS

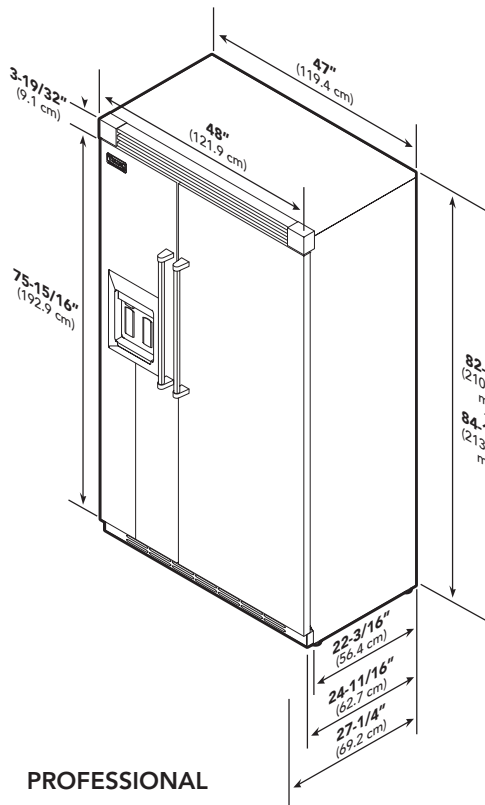
Star-K Kosher Certification for use on the Jewish Sabbath or Jewish holidays

### Dimensions & Specifications

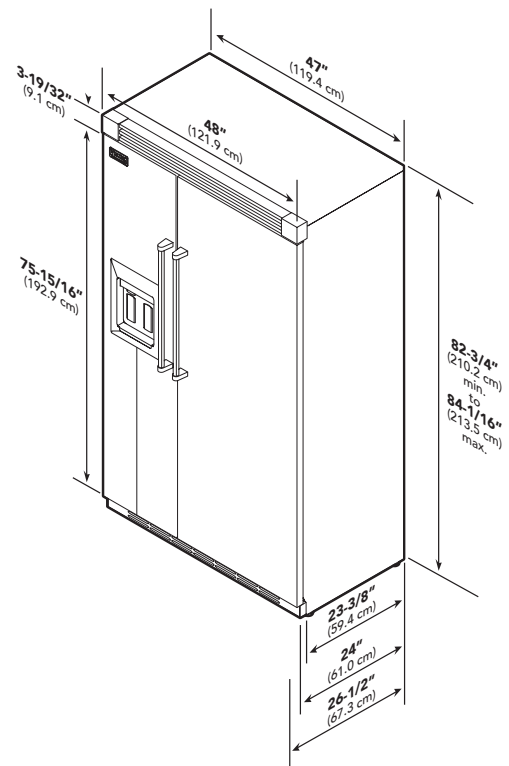
#### PRODUCT DIMENSIONS



VCSB483D/VISB483D  
Professional/Professional Integrated



PROFESSIONAL



PROFESSIONAL INTEGRATED

	VCSB483D	VISB483D
Overall width	48" (121.9 cm)	
Overall height (from bottom)	82-3/4" (210.2 cm) min. to 84-1/16" (213.5 cm) max.	
Overall depth (from rear)		
To front edge of side trim	22-3/16" (56.4 cm)	23-3/8" (59.4 cm)
To front of top grille	24-11/16" (62.7 cm)	24" (61.0 cm)
To front of handle	27-1/4" (69.2 cm)	26-1/2" (67.3 cm)
Approx. ship weight	735 lbs. (330.8 kg)	





★ Please see Installation Notes & Accessories for important information, including panel, and handle kits, and water filters.



ALL MODELS  
Star-K Kosher Certification for use on the Jewish Sabbath or Jewish holidays

**Dimensions & Specifications**

**PRODUCT DIMENSIONS**

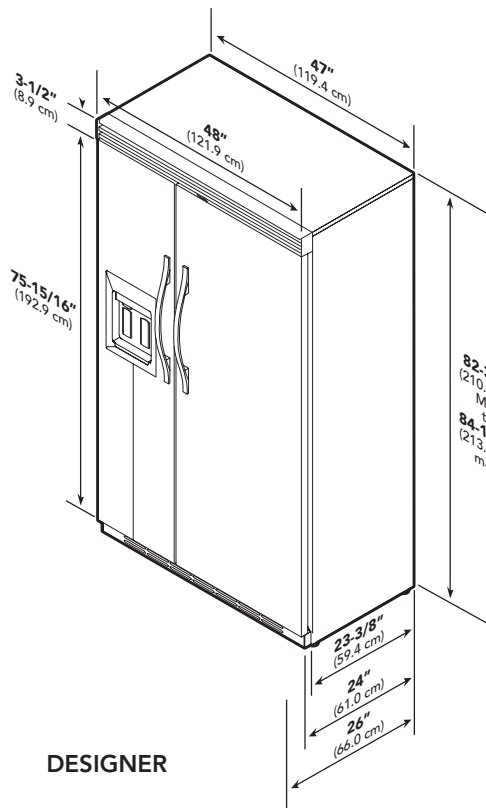


**DDSB483D  
Designer**

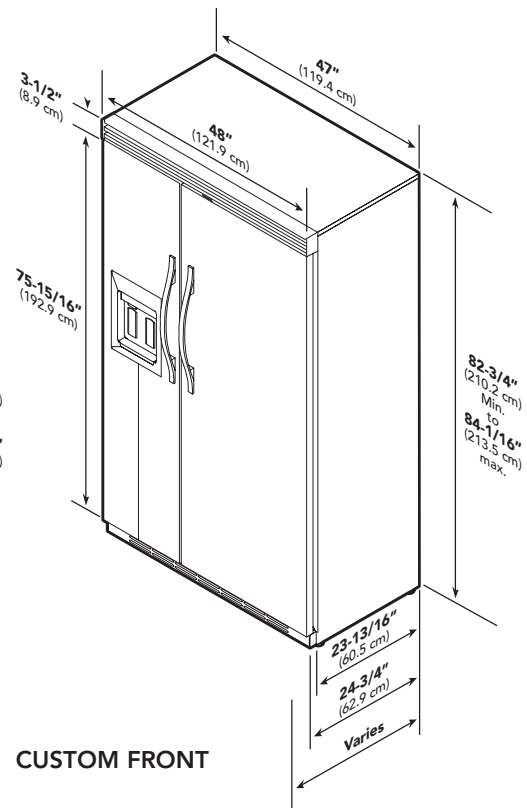


**DFSB483D  
Custom Front**

See Custom Panels section for more information and additional specifications.



**DESIGNER**



**CUSTOM FRONT**

	<b>DDSB483D</b>	<b>DFSB483D</b>
Overall width	<b>48" (121.9 cm)</b>	
Overall height (from bottom)	<b>82-3/4" (210.2 cm) min. to 84-1/16" (213.5 cm) max.</b>	
Overall depth (from rear)		
To front edge of side trim	23-3/8" (59.4 cm)	23-13/16" (60.5 cm)
To front of top grille	24" (61.0 cm)	24-3/4" (62.9 cm)
To front of handle	26" (66.0 cm)	Varies
Approx. ship weight	730 lbs. (328.5 kg)	675 lbs. (303.8 kg)



### Dimensions & Specifications

#### DOOR SWING

- Adjustable door stops standard—90°, 110°, or 120° swing



**VCSB483D/VISB483D**  
Professional/Professional  
Integrated

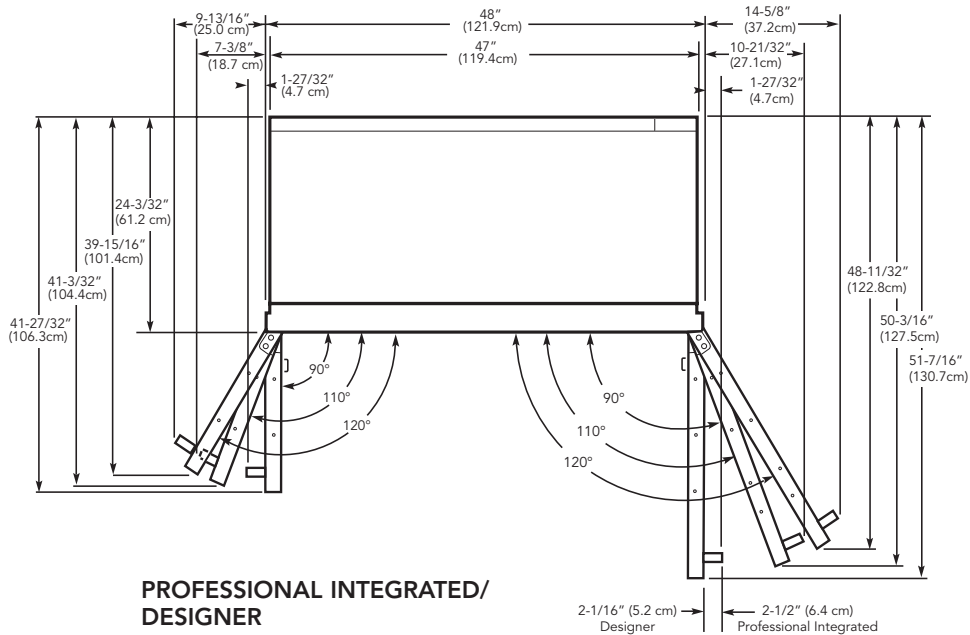
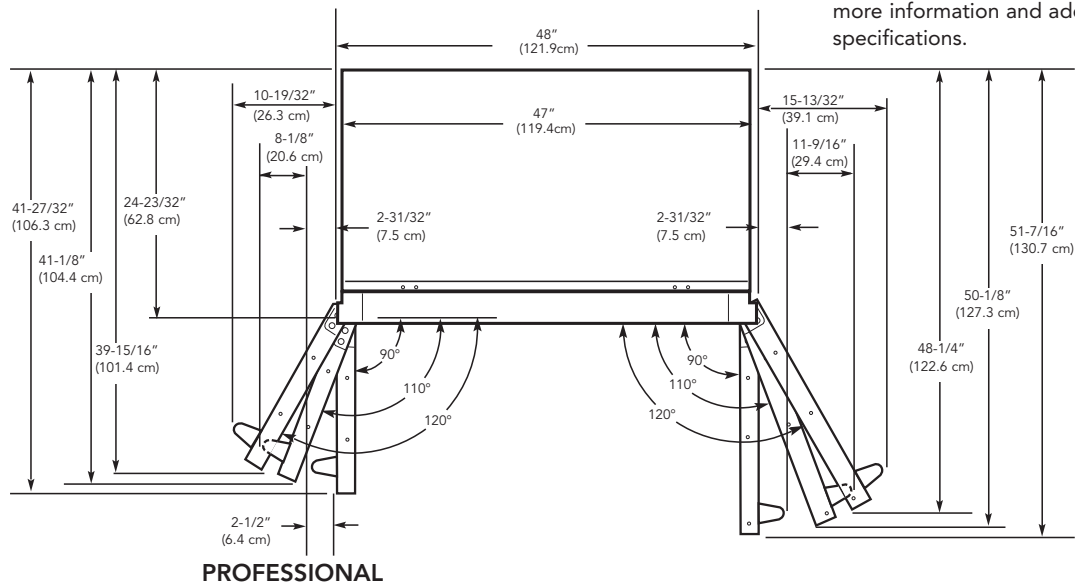


**DDSB483D**  
Designer



**DFSB483D**  
Custom Front

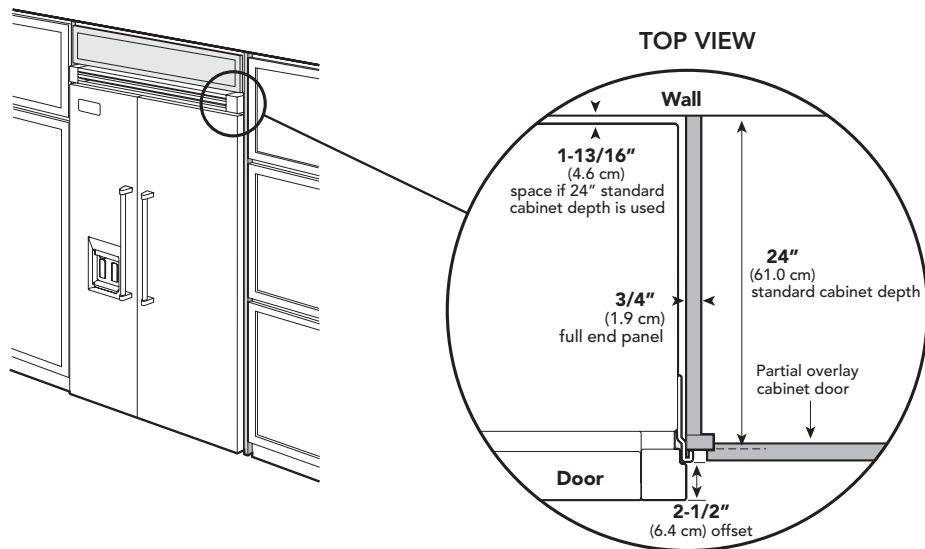
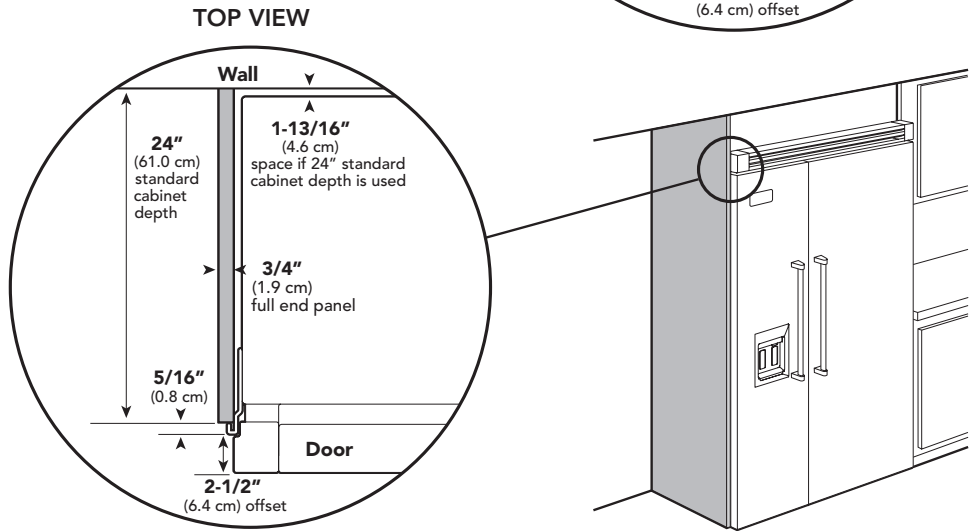
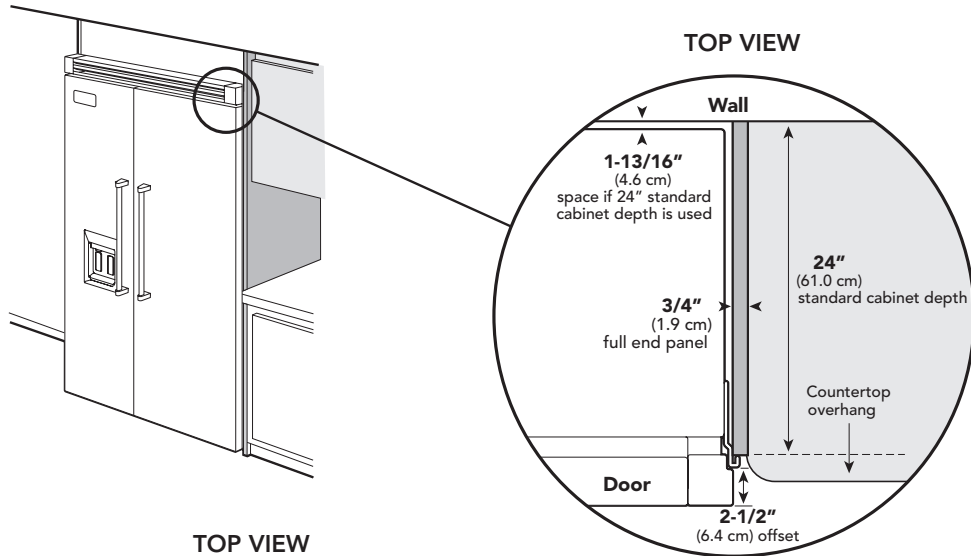
See **Custom Panels** section for more information and additional specifications.





### Dimensions & Specifications

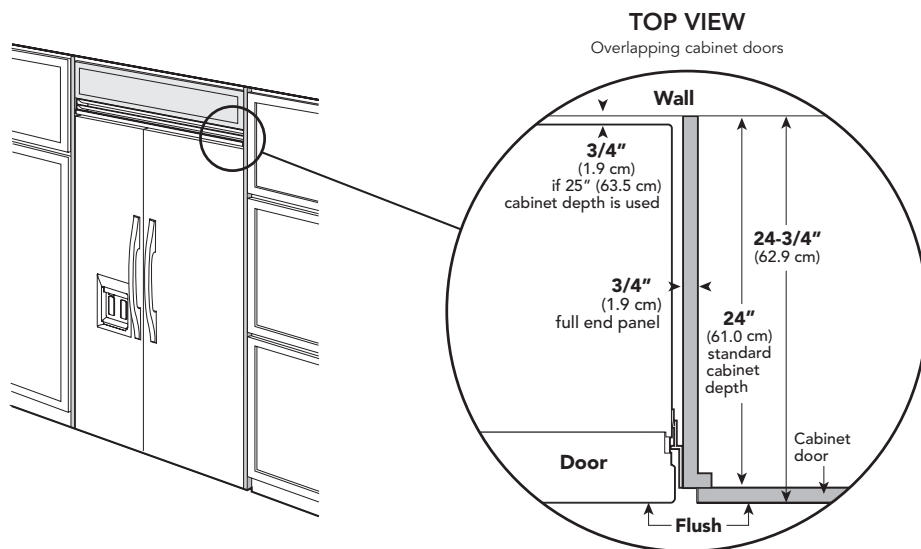
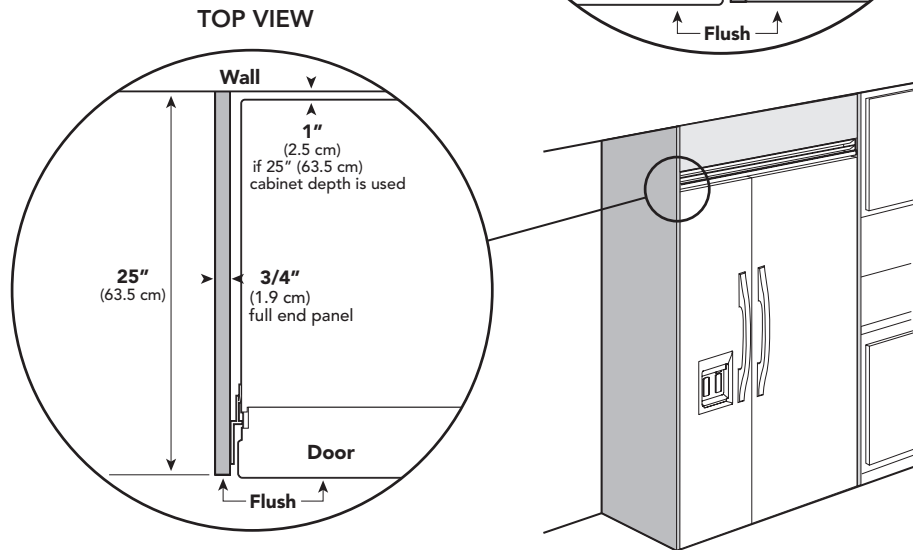
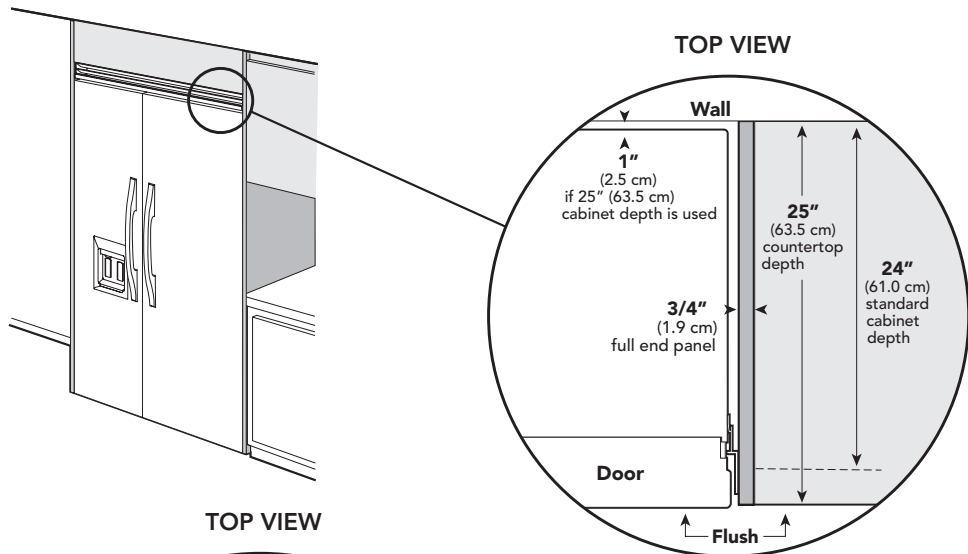
#### CLEARANCE DIMENSIONS—PROFESSIONAL





**Dimensions & Specifications**

**CLEARANCE DIMENSIONS—PROFESSIONAL INTEGRATED/DESIGNER**





### UTILITY REQUIREMENTS



**GAS**  
Not applicable



- ELECTRICAL**
- Three-wire cord with grounded three-prong plug attached to product
  - 115 VAC/60 Hz; 15 amp dedicated circuit
  - Maximum amp usage—11.5
  - Estimated energy usage—727 kWh/year



- PLUMBING**
- Inlet waterline requirements—1/4" copper tubing
  - 35 psi min.; 120 psi max.

## Installation Requirements

### ACCESS REQUIREMENTS



**VCSB483D/VISB483D**  
Professional/Professional Integrated

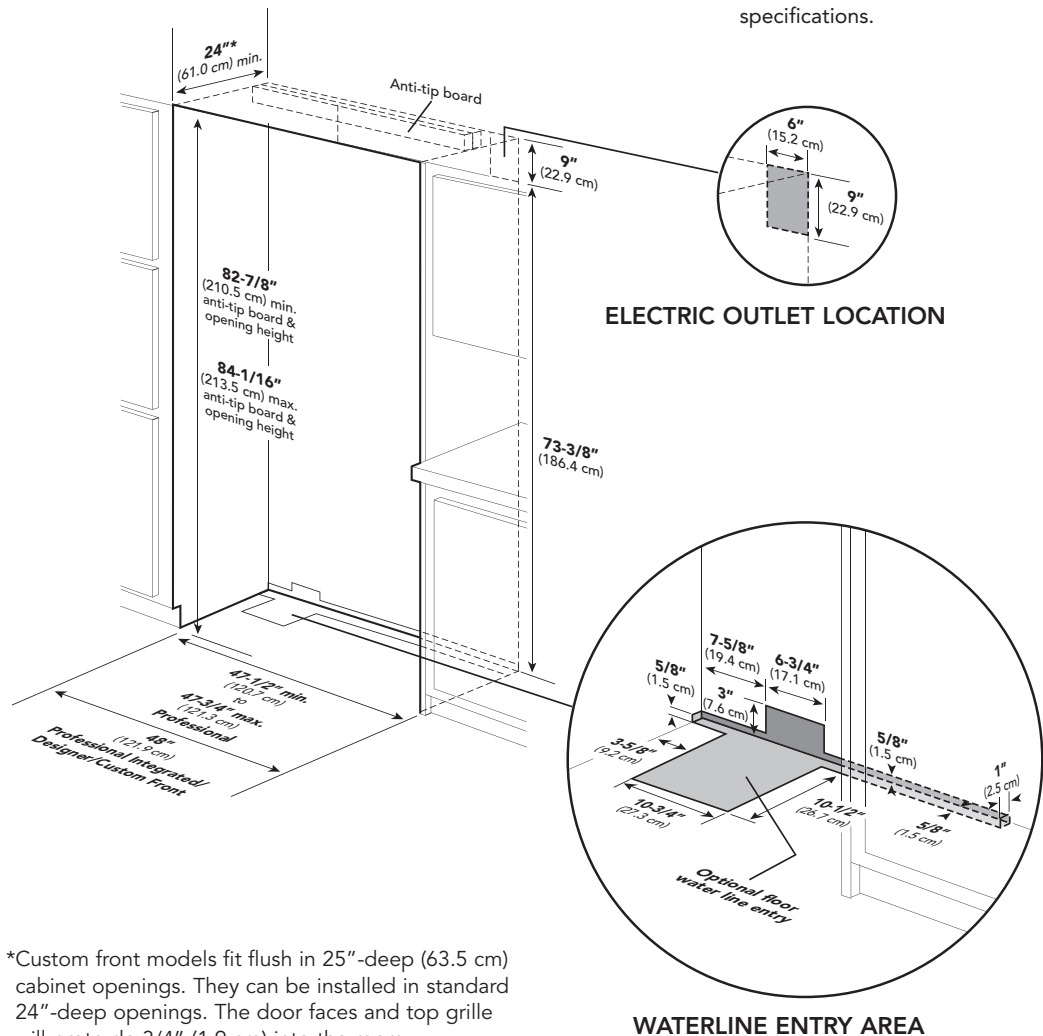


**DDSB483D**  
Designer



**DFSB483D**  
Custom Front

See **Custom Panels** section for more information and additional specifications.



\*Custom front models fit flush in 25"-deep (63.5 cm) cabinet openings. They can be installed in standard 24"-deep openings. The door faces and top grille will protrude 3/4" (1.9 cm) into the room.

	VCSB483D	VISB483D	DDSB483D	DFSB483D
Cutout width	47-1/2" (120.7 cm) min. to 47-3/4" (121.3 cm) max.	48" (121.9 cm)	48" (121.9 cm)	48" (121.9 cm)
Cutout height	82-7/8" (210.5 cm) min. to 84-1/16" (213.5 cm) max.			
Cutout depth	24" (61.0 cm) min.*			



# REFRIGERATION

## Built-In 48"W. Side-By-Side Refrigerator/Freezer with Dispenser



### ★ Installation Notes & Accessories

#### Side Panel Kits

- Stainless Steel (SS)
- Panels provide finished, freestanding look; unit must still be secured to the wall
- Kit includes one panel and installation hardware

Model	Description	Approx. ship wt. lbs. (kg)
PSSPL2	Professional side panel left (VSCB)	45 (20.2)
PSSPR2	Professional side panel right (VSCB)	45 (20.2)
DSSPL2	Designer side panel left (VISB/DDSB/DFSB)	45 (20.2)
DSSPR2	Designer side panel right (VISB/DDSB/DFSB)	45 (20.2)

#### Side Panel Hardware Kit

- For use with Designer built-in refrigerator/freezers
- Hardware allows installation of custom side panels
- Kit includes brackets, screws, and installation instructions to mount panels on left and right side

Model	Description	Approx. ship wt. lbs. (kg)
SPHKDS	Side panel hardware	3 (1.4)

#### Top Panel Kit

- Stainless Steel (SS)
- Panel provides finished, freestanding look; unit must still be secured to the wall
- Kit includes one panel and installation hardware

Model	Description	Approx. ship wt. lbs. (kg)
TOP-48	48"W. top panel	24 (10.8)

#### Handle Kits

- For use with custom front refrigerator/freezers
- For use on locally supplied custom front panels
- Handles allow refrigerator/freezers with custom front panel to coordinate with other Professional and Designer products
- Kit includes two handles and installation hardware

Model	Description	Approx. ship wt. lbs. (kg)
PHK-DFSB-SS	Professional handles (Stainless Steel)	10 (4.5)
PHK-DFSB-BR	Professional handles (Brass)	10 (4.5)
HKFDS-SS	Designer handles (Stainless Steel)	10 (4.5)
HKFDS-BR	Designer handles (Brass)	10 (4.5)

#### Replacement Water Filter

- Reduces sediment, taste, and odor
- Reduces cysts, particulates, turbidity, lead, chlorine, atrazine, and lindane
- NSF-certified
- Ready to install—no assembly required
- Replacement recommended every nine months

Model	Description	Approx. ship wt. lbs. (kg)
RWF-DISP	Replacement water filter	5 (2.3)

#### Compliance Information



#### WARRANTY SUMMARY\*

- Two-year full warranty—complete unit
- Six-year full warranty—sealed refrigeration system and automatic ice maker
- Twelve-year limited warranty—sealed refrigeration system (includes compressor, condenser, dryer/strainer, evaporator, and connecting tubing)
- Ninety-day limited warranty—cosmetic parts such as glass, painted, and decorative items

\*For complete warranty see *Use & Care Guide*. Warranty valid on Viking products shipped within the United States and Canada.





## Free Manuals Download Website

<http://myh66.com>

<http://usermanuals.us>

<http://www.somanuals.com>

<http://www.4manuals.cc>

<http://www.manual-lib.com>

<http://www.404manual.com>

<http://www.luxmanual.com>

<http://aubethermostatmanual.com>

Golf course search by state

<http://golfingnear.com>

Email search by domain

<http://emailbydomain.com>

Auto manuals search

<http://auto.somanuals.com>

TV manuals search

<http://tv.somanuals.com>