

# CUSTOM PANEL-REFRIGERATION

## Undercounter/Freestanding 24W. Refrigerated Drawer—DFRD140D

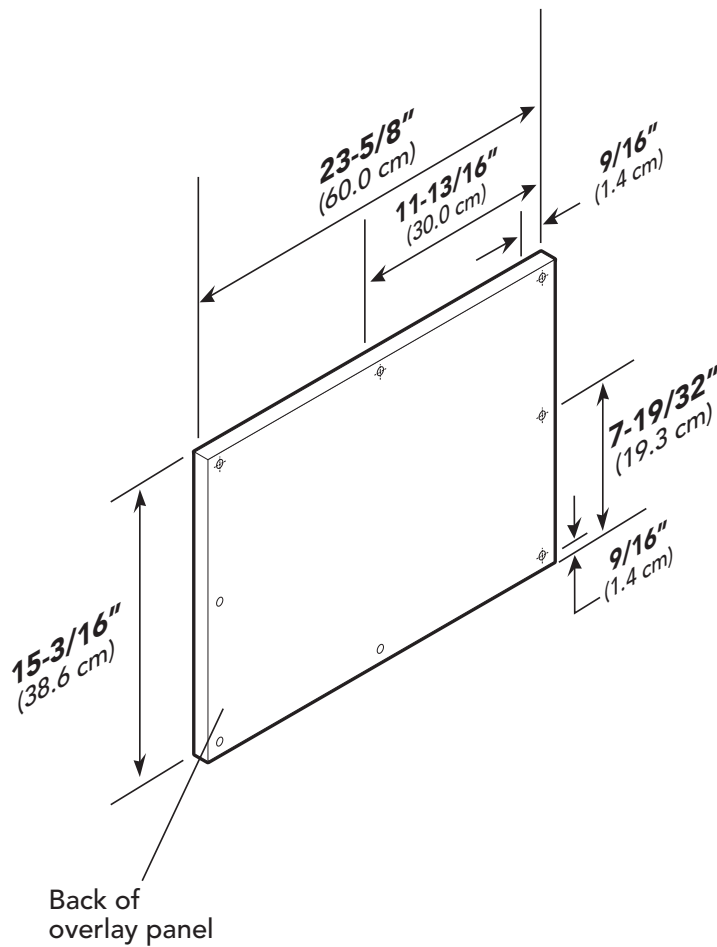


### Dimensions & Specifications

#### CUSTOM PANEL DIMENSIONS



DFRD140D



**Note:** Two panels are needed—One for each drawer front.

DFRD140D	
Overall panel width	$23\text{-}5/8''$ (60.0 cm)
Overall panel height	$15\text{-}3/16''$ (38.6 cm)
Overall panel depth	$5/8''$ (1.7 cm) min. to $3/4''$ (1.9 cm) max.
Maximum panel weight (each panel)	10 lbs. (4.5 kg)



## Free Manuals Download Website

<http://myh66.com>

<http://usermanuals.us>

<http://www.somanuals.com>

<http://www.4manuals.cc>

<http://www.manual-lib.com>

<http://www.404manual.com>

<http://www.luxmanual.com>

<http://aubethermostatmanual.com>

Golf course search by state

<http://golfingnear.com>

Email search by domain

<http://emailbydomain.com>

Auto manuals search

<http://auto.somanuals.com>

TV manuals search

<http://tv.somanuals.com>