



REFRIGERATION

Undercounter/Freestanding 24"W. Refrigerated Drawer



Standard Features & Accessories

All models include

- Hidden touchpad electronic controls with digital temperature readout
 - Inside temperature can be adjusted from 32 – 45°F
 - TruProtect™ system signals if door is left open or if temperature is out of set range
 - Sabbath mode disables audible tones, LED display and lights
 - Temperature can be displayed in either Fahrenheit or Celsius
- Capacity—5.8 cu. ft. (164.1 L)
- Full-extension drawer glides
- Vertical storage of wine bottles or two-liter drink bottles in bottom drawer
- Automatic cycle defrost
- Interior LED lighting
- Install as undercounter or freestanding unit

Model Options



VURD144D
Professional

- FINISH DETAILS FOR VURD MODEL**
- Solid door—Stainless Steel (SS)
 - Finish code designates drawer fronts. Stainless steel handle with chrome-plated brackets, black exterior cabinet, and stainless steel interior.



DURD144D
Designer

- FINISH DETAILS FOR DURD MODEL**
- Solid door—Stainless Steel (SS)
 - Finish code designates drawer fronts. Stainless steel handle with chrome-plated brackets, black exterior cabinet, and stainless steel interior.



DFRD144D
Custom Front

- FINISH DETAILS FOR DFRI MODEL**
- Handle not included—opt for custom handle, or purchase a Viking Professional Series or Designer Series handle kit (see **Installation Notes & Accessories**).
 - Accepts 3/4" -thick custom wood panel
 - See **Custom Panels** section for more information and additional specifications.





★ Please see
Installation Notes &
Accessories
for important
information,
including pan sets
and dividers.

Dimensions & Specifications

PRODUCT DIMENSIONS



VURD144D
Professional

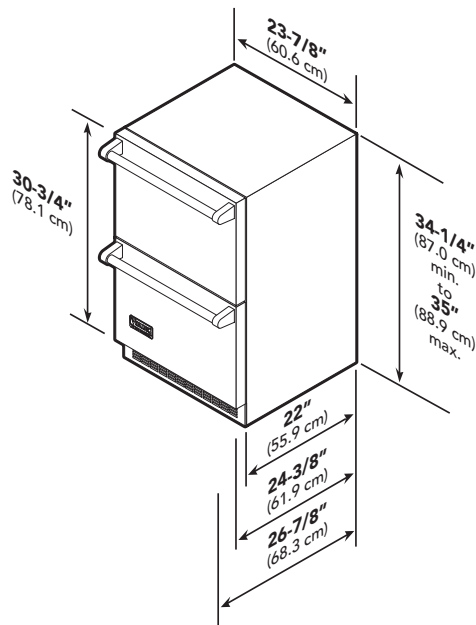


DURD144D
Designer

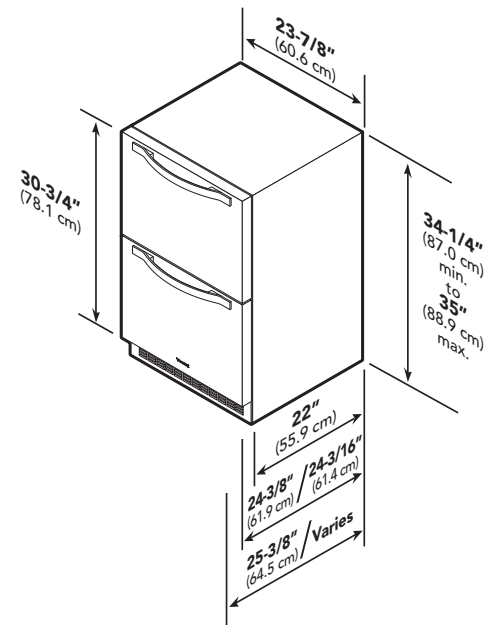


DFRD144D
Custom Front

See Custom Panels for more
information and additional
specifications.



PROFESSIONAL



**DESIGNER/
CUSTOM FRONT**

	VURD144D	DURD144D	DFRD144D
Overall width		23-7/8" (60.6 cm)	
Overall height		34-1/4" (87.0 cm) min. to 35" (88.9 cm) max.	
Overall depth (from rear)			
To front edge of lower vent		22" (55.9 cm)	
To front edge of door	24-3/8" (61.9 cm)	24-3/8" (61.9 cm)	Varies
To front edge of handle	26-7/8" (68.3 cm)	25-3/8" (64.5 cm)	
With drawer fully extended		47-1/4" (120.0 cm)	
Approx. ship wt.		180 lbs. (81.8 kg)	



Dimensions & Specifications

DRAWER EXTENSION



VURD144D
Professional

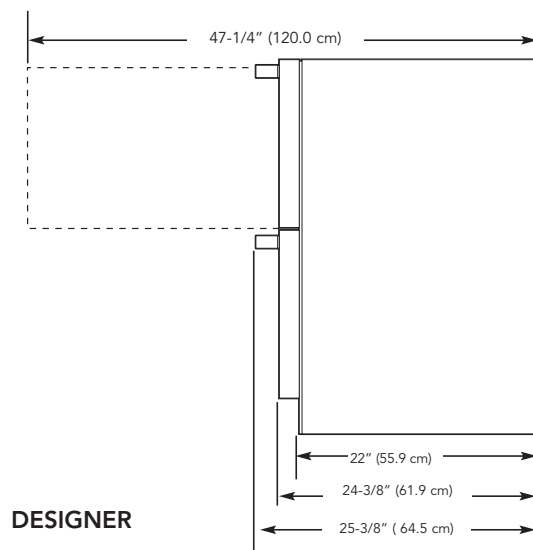
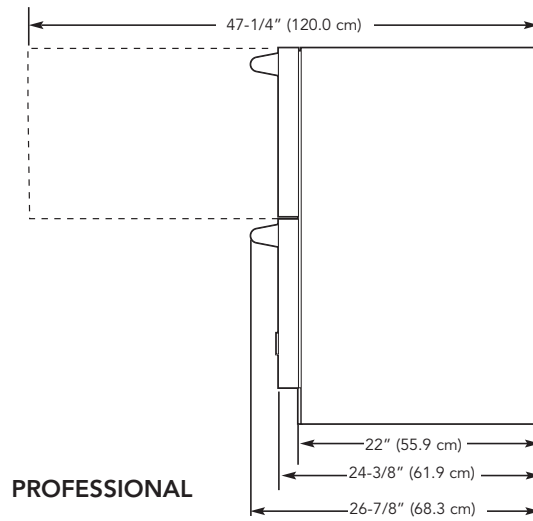


DURD144D
Designer



DFRD144D
Custom Front

See **Custom Panels** section for more information and additional specifications.





UTILITY REQUIREMENTS



GAS
Not applicable



ELECTRICAL

- Three-wire cord with grounded three-prong plug attached to product
- 115 VAC/60 Hz; 15 amp dedicated circuit
- Maximum amp usage—3.3



PLUMBING
Not applicable

Installation Requirements

ACCESS REQUIREMENTS



VURD144D
Professional

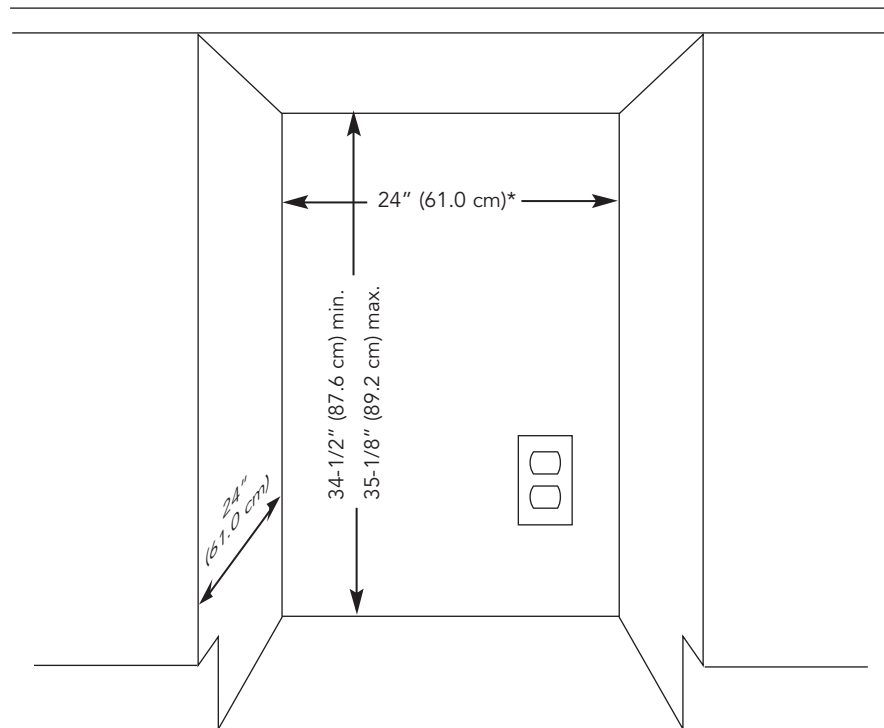


DURD144D
Designer



DFRD144D
Custom Front

See **Custom Panels** section for more information and additional specifications.



*Optional: Cutout for electrical outlet can be placed in adjacent cabinetry.

All models	
Cutout width	24" (61.0 cm)*
Cutout height	34-1/2" (87.6 cm) min. to 35-1/8" (89.2 cm) max.
Cutout depth	24" (61.0 cm)



REFRIGERATION

Undercounter/Freestanding 24"W. Refrigerated Drawer



★ Installation Notes & Accessories

Pan Set

- Stainless Steel (SS)
- Four commercial restaurant-style pans with clear lids
 - Two 6"D. x 6-15/16"L. x 6-3/8"W.—2.3 qt. (2.2 lit.) capacity
 - One 6"D. x 12-13/16"L. x 6-15/16"W.—5.8 qt. (5.5 lit.) capacity
 - One 8"D. x 12-13/16"L. x 10-7/16"W.—11.6 qt. (11.0 lit.) capacity
- Stainless Steel (SS) pan support rail

Model	Description	Approx. ship wt. lbs. (kg)
RDPS	Pan set	12 (5.4)

Dividers

- Adjustable dividers allow customized placement of items within drawer

Model	Description	Approx. ship wt. lbs. (kg)
RDUD	Upper dividers	4 (1.8)
RDL D	Lower dividers	4 (1.8)

Handle Kits

- For use with Professional and Designer 24"W. refrigerated drawer

Model	Description	Approx. ship wt. lb. (kg)
PURHK23-BR	Professional brass handle kit and logo for VURD	5 (2.3)
PHK23-SS	Professional stainless steel handle kit for DFRD	5 (2.3)
PHK23-BR	Professional brass handle kit for DFRD	5 (2.3)
DHK18-SS	Designer stainless steel handle kit for DFRD	5 (2.3)
DHK18-BR	Designer brass handle kit for DFRD	5 (2.3)

Compliance Information



WARRANTY SUMMARY*

- Two-year full warranty—complete unit
- Six-year full warranty—sealed refrigeration system
- Twelve-year limited warranty—sealed refrigeration system
- Ninety-day limited—cosmetic parts such as glass, painted, and decorative items

*For complete warranty, see *Use & Care Guide*. Warranty valid on Viking products shipped within the United States and Canada.



Free Manuals Download Website

<http://myh66.com>

<http://usermanuals.us>

<http://www.somanuals.com>

<http://www.4manuals.cc>

<http://www.manual-lib.com>

<http://www.404manual.com>

<http://www.luxmanual.com>

<http://aubethermostatmanual.com>

Golf course search by state

<http://golfingnear.com>

Email search by domain

<http://emailbydomain.com>

Auto manuals search

<http://auto.somanuals.com>

TV manuals search

<http://tv.somanuals.com>