

# CUSTOM PANEL-REFRIGERATION

## Built-In 42"W. Side-By-Side Refrigerator/Freezer & Refrigerator/Freezer with Dispenser—DFSB423/423D



### Dimensions & Specifications

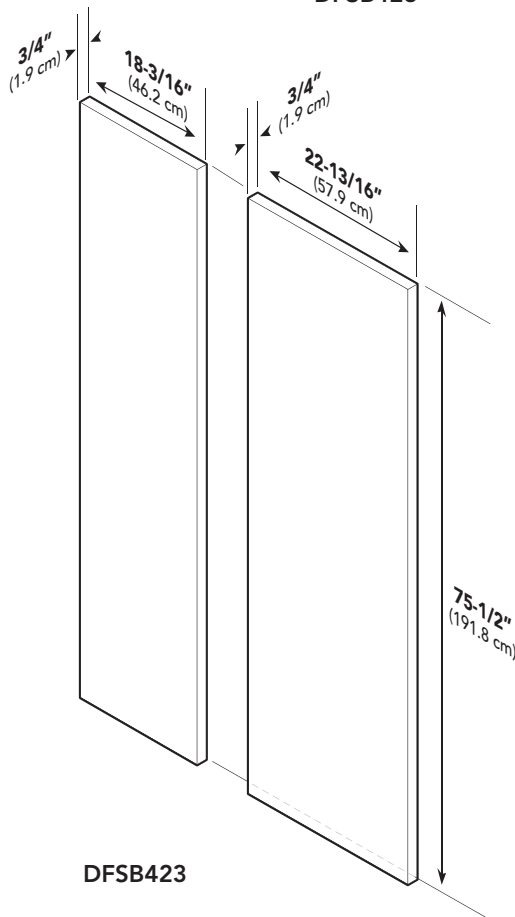
#### CUSTOM PANEL DIMENSIONS



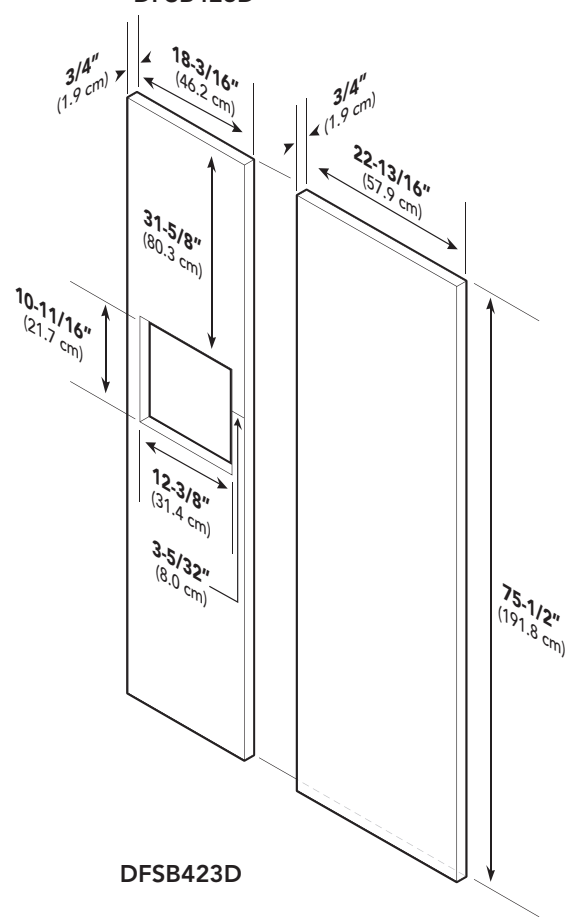
DFSB423



DFSB423D



DFSB423



DFSB423D

**Note:** Panel overlays must be dry, solid, straight one piece panels. The use of multiple panel pieces to achieve the dimensions is not recommended.

**Note:** A 1/4" wood filler or insulation filler must be used between the door and 3/4" wood panel to prevent condensation from forming. The dimensions of the 1/4" wood filler are 1/4" smaller than the dimensions shown.

#### DFSB423/423D

Overall panel width	
Refrigerator front	22-13/16" (57.9 cm)
Freezer front	18-3/16" (46.2 cm)
Overall panel height	75-1/2" (191.8 cm)
Overall panel depth	3/4" (1.9 cm)*
Maximum panel weight	
Refrigerator front	40 lbs. (18.1 kg)
Freezer front	35 lbs. (15.9 kg)

\*Panel thickness must not exceed 1" (2.5 cm) on hinge side. Thicker panels will interfere with door swing and clearance.



# CUSTOM PANEL-REFRIGERATION

## Built-In 42"W. Side-By-Side Refrigerator/Freezer & Refrigerator/Freezer with Dispenser—DFSB423/423D



### Dimensions & Specifications

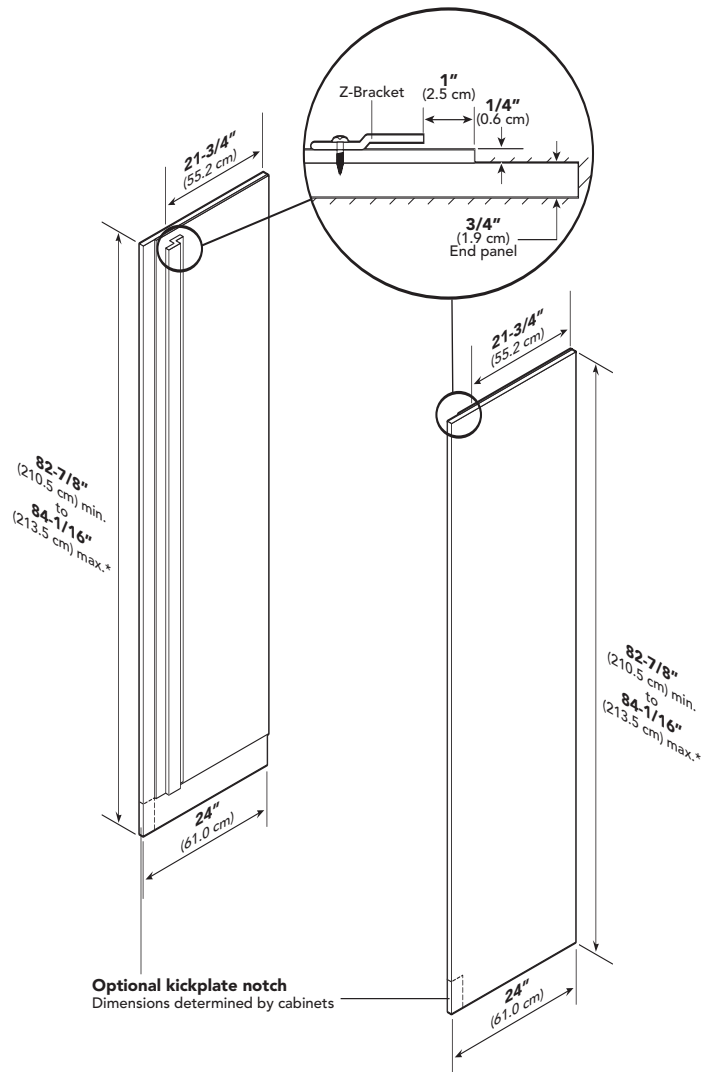
#### CUSTOM SIDE PANEL DIMENSIONS



DFSB423



DFSB423D



**Note:** Adding a 3/4" (1.9 cm) side panel adds an additional 3/4" (1.9 cm) to the overall width of the product for each side panel. Requires side panel hardware kit (Kit model number – SPHKDS)

#### DFSB423/DFSB423D

Overall panel width	3/4" (1.9 cm)
Overall panel height	82-7/8" (210.5 cm) min. to 84-1/16" (213.5 cm) max.*
Overall panel depth	24" (61.0 cm)

\*Depending on how high leveling feet are raised and cabinet enclosure height.



# CUSTOM PANEL-REFRIGERATION



## Built-In 42"W. Side-By-Side Refrigerator/Freezer & Refrigerator/Freezer with Dispenser—DFSB423/423D

### Dimensions & Specifications

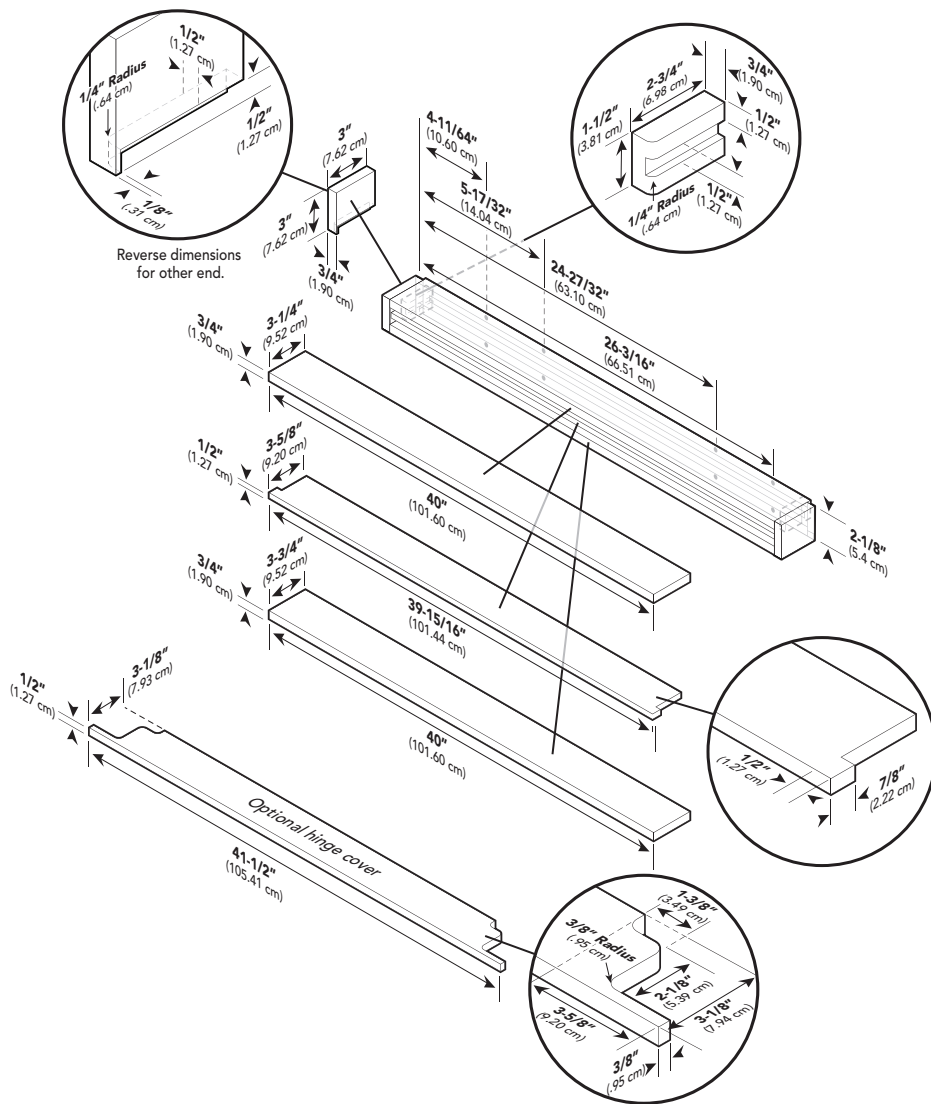
#### CUSTOM GRILLE DIMENSIONS



DFSB423



DFSB423D



#### DFSB423/423D

Overall grille width	41-1/2" (108.0 cm)
Overall grille height	3" (7.6 cm)
Overall grille depth	3-3/4" (9.5 cm)



## Free Manuals Download Website

<http://myh66.com>

<http://usermanuals.us>

<http://www.somanuals.com>

<http://www.4manuals.cc>

<http://www.manual-lib.com>

<http://www.404manual.com>

<http://www.luxmanual.com>

<http://aubethermostatmanual.com>

Golf course search by state

<http://golfingnear.com>

Email search by domain

<http://emailbydomain.com>

Auto manuals search

<http://auto.somanuals.com>

TV manuals search

<http://tv.somanuals.com>