



## Standard Features & Accessories

### All models include

- Capacity—18.2 cu. ft. (515.1 L)
  - 84"H./24"D.
- ProChill™ Temperature Management System
  - Variable-speed single compressor system includes the quietest, most technologically advanced compressor available
  - Electronic controls maintain the temperature selection within 1°F
  - Multi-channel airflow system removes odors and excess humidity
- Convertible, temperature-controlled Meat Savor™/produce drawer with precision ball-bearing glides
  - Separate temperature control can be set for produce or fresh meat storage
  - Quick-chill option chills foods and beverages in minutes
- Four adjustable tempered glass spillproof shelves
- Two deli drawers with precision ball-bearing glides
- Two moisture adjustable see-through produce drawers with precision ball bearing glides
- Two in-the-door dairy compartments
- Four adjustable aluminum door bins
- Top-shelf provides quick chill-down area
- Egg bin and butter tray
- Top-mounted and front-venting sealed refrigeration system
- Dual magnet and spring-assisted door closer mechanism
- Robust, heavy-duty door hinges
- Power interruption switch to turn off all power
- Automatic energy-saving exterior moisture control system
- Open door alarm sounds and glows to warn that door has been ajar for three minutes
- Adjustable door stops standard—90°, 110°, or 120° swing
- Sabbath Mode
- For installation of two units together, separate grille kit must be purchased
- Must be ordered right or left hinge. (As you face unit, RIGHT has hinge on right side and handle on left side; LEFT has hinge on left side and handle on right side.)

## Model Options



VCRB304/VIRB304

Professional/Professional Integrated

### FINISH DETAILS FOR VCRB/VIRB MODELS

- Stainless Steel (SS), Black (BK), White (WH), Metallic Silver (MS), Graphite Gray (GG), Stone Gray (SG), Taupe (TP), Biscuit (BT), Cotton White (CW), Oyster Gray (OG), Golden Mist (GM), Lemonade (LE), Sage (SA), Mint Julep (MJ), Sea Glass (SE), Iridescent Blue (IB), Viking Blue (VB), Pumpkin (PM), Racing Red (RR), Apple Red (AR), Burgundy (BU), Plum (PL), Chocolate (CH), and Cobalt Blue (CB).
- Finish codes designate door front. Stainless steel upper grille, side trim, and handle (with chrome-plated brackets); black lower kickplate.
- Brass Trim Option (BR)—nameplate, handle/brackets, and side trim. Brass components have a durable protective coating for maintenance-free normal use.



DDRB304  
Designer

### FINISH DETAILS FOR DDRB MODEL

- Stainless Steel (SS), Black (BK), White (WH), Metallic Silver (MS), Graphite Gray (GG), Stone Gray (SG), Taupe (TP), Biscuit (BT), Cotton White (CW), Oyster Gray (OG), Golden Mist (GM), Lemonade (LE), Sage (SA), Mint Julep (MJ), Sea Glass (SE), Iridescent Blue (IB), Viking Blue (VB), Pumpkin (PM), Racing Red (RR), Apple Red (AR), Burgundy (BU), Plum (PL), Chocolate (CH), and Cobalt Blue (CB).
- Finish codes designate door front. Stainless steel upper grille, side trim, and handle, with black lower kickplate.
- Brass Trim Option (BR)—handle. Brass components have a durable protective coating for maintenance-free normal use.



DFRB304  
Custom Front

### FINISH DETAILS FOR DFRB MODEL

- Handle not included—opt for custom handle, or purchase a Viking Professional Series or Designer Series handle kit (see **Installation Notes & Accessories**).
- See **Custom Panels** section for more information and additional specifications.

### ORDERING INSTRUCTIONS

First specify model number, followed by hinge preference ("R" for right or "L" for left), and then color code (VCRB304**RSS**). If ordering optional brass trim, specify code at end (VCRB304**RSSBR**).



★ Please see Installation Notes & Accessories for important information, including panel, grille, trim, and handle kits.



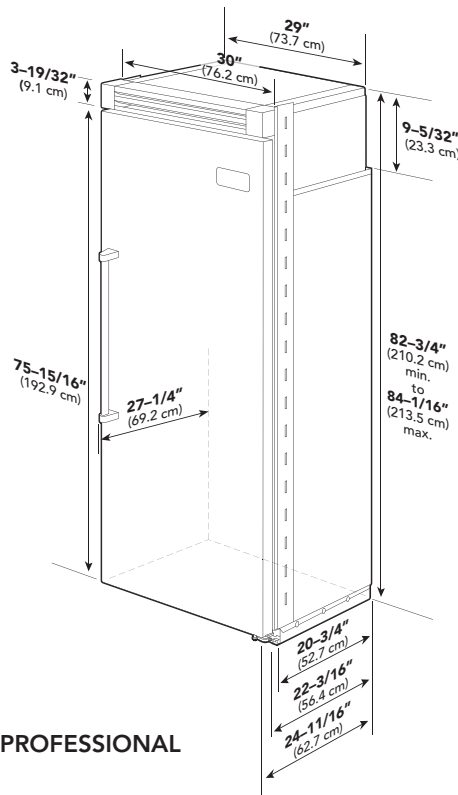
ALL MODELS  
Star-K Kosher Certification for use on the Jewish Sabbath or Jewish holidays

## Dimensions & Specifications

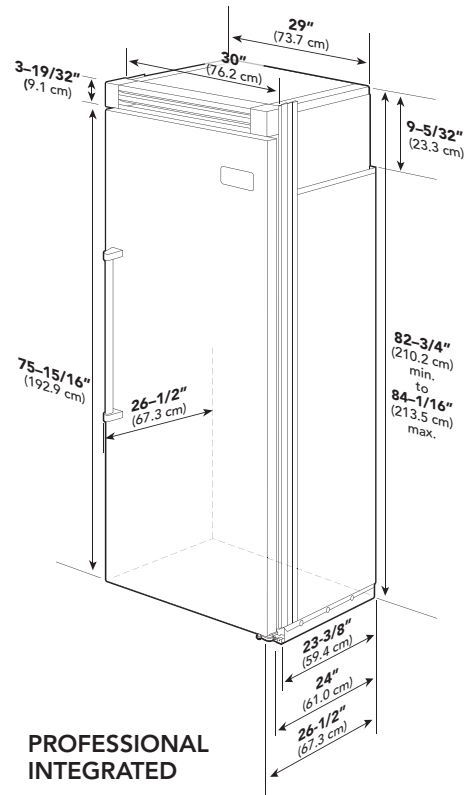
### PRODUCT DIMENSIONS



VCRB304/VIRB304  
Professional/  
Professional Integrated



PROFESSIONAL



PROFESSIONAL  
INTEGRATED

	VCRB304	VIRB304
Overall width	30" (76.2 cm)	
Overall height (from bottom)	82-3/4" (210.2 cm) min. to 84-1/16" (213.5 cm) max.	
Overall depth (from rear)		
To front edge of side trim	22-3/16" (56.4 cm)	23-3/8" (59.4 cm)
To front of top grille	24-11/16" (62.7 cm)	24" (61.0 cm)
To front of handle	27-1/4" (69.2 cm)	26-1/2" (67.3 cm)
Approx. ship weight	425 lbs. (193.2 kg)	



★ Please see Installation Notes & Accessories for important information, including panel, grille, trim, and handle kits.



Star-K Kosher Certification for use on the Jewish Sabbath or Jewish holidays

## Dimensions & Specifications

### PRODUCT DIMENSIONS

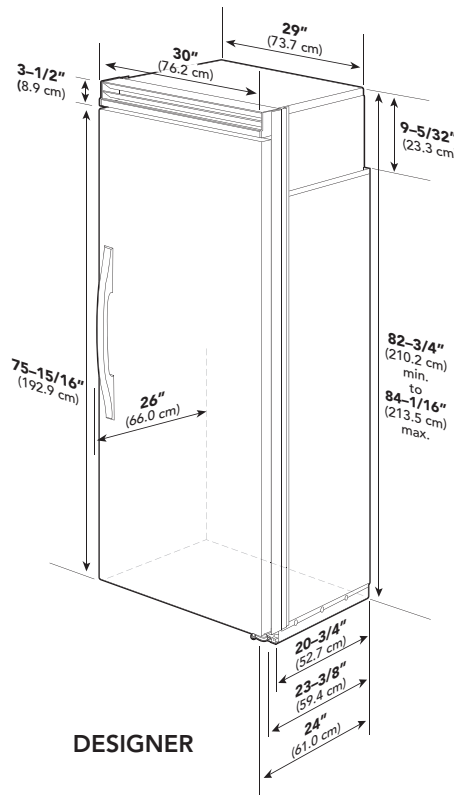


**DDR304**  
Designer

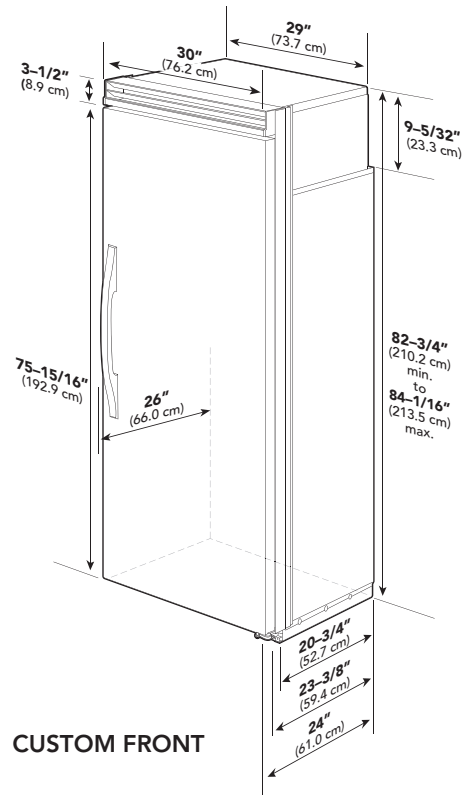


**DFRB304**  
Custom Front

See Custom Panels section for more information and additional specifications.



**DESIGNER**



**CUSTOM FRONT**

	<b>DDR304</b>	<b>DFRB304</b>
Overall width	<b>30" (76.2 cm)</b>	
Overall height (from bottom)	<b>82-3/4" (210.2 cm) min. to 84-1/16" (213.5 cm) max.</b>	
Overall depth (from rear)		
To front edge of side trim	23-3/8" (59.4 cm)	23-13/16" (60.5 cm)
To front of top grille	24" (61.0 cm)	24-3/4" (62.9 cm)
To front of handle	26" (66.0 cm)	Varies
Approx. ship weight	<b>425 lbs. (193.2 kg)</b>	



## Dimensions & Specifications

### DOOR SWING

- Adjustable door stops standard—90°, 110°, or 120° swing



**VCRB304/VIRB304**  
Professional/  
Professional Integrated

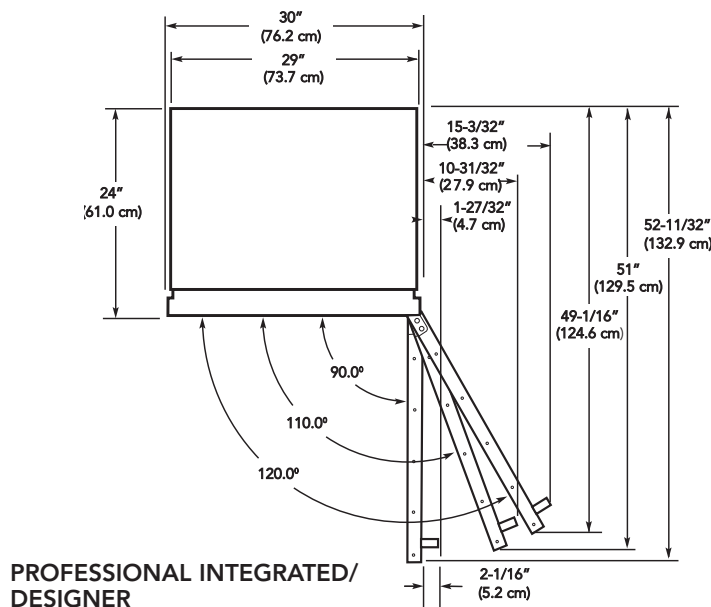
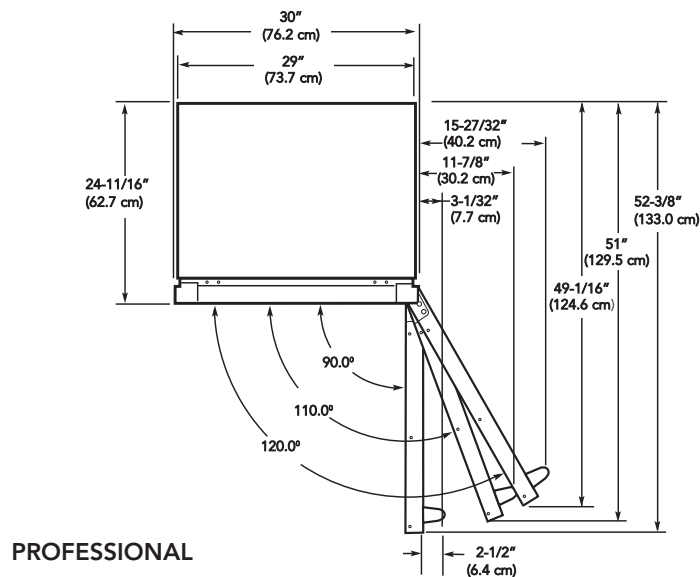


**DDRB304**  
Designer



**DFRB304**  
Custom Front

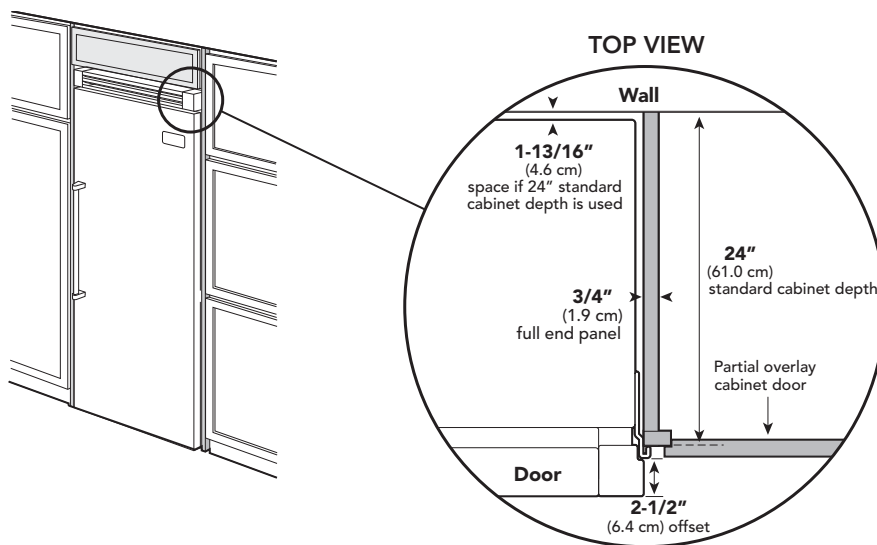
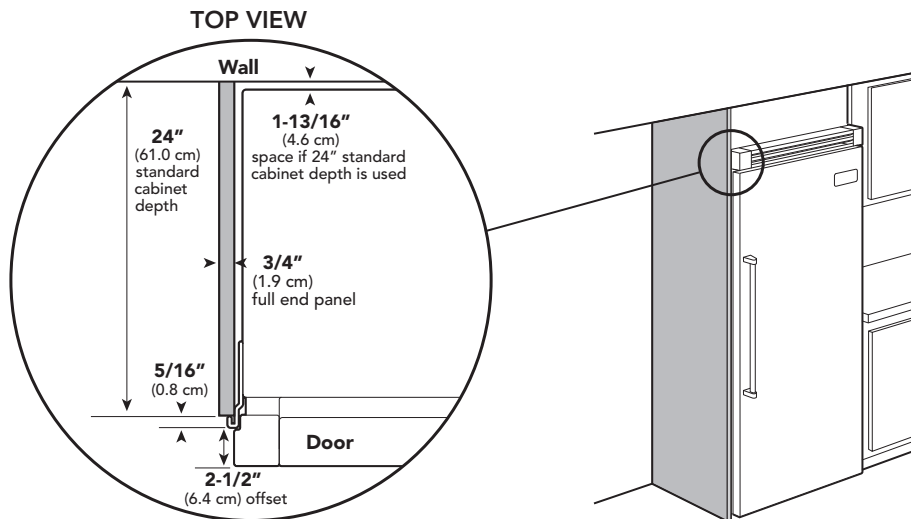
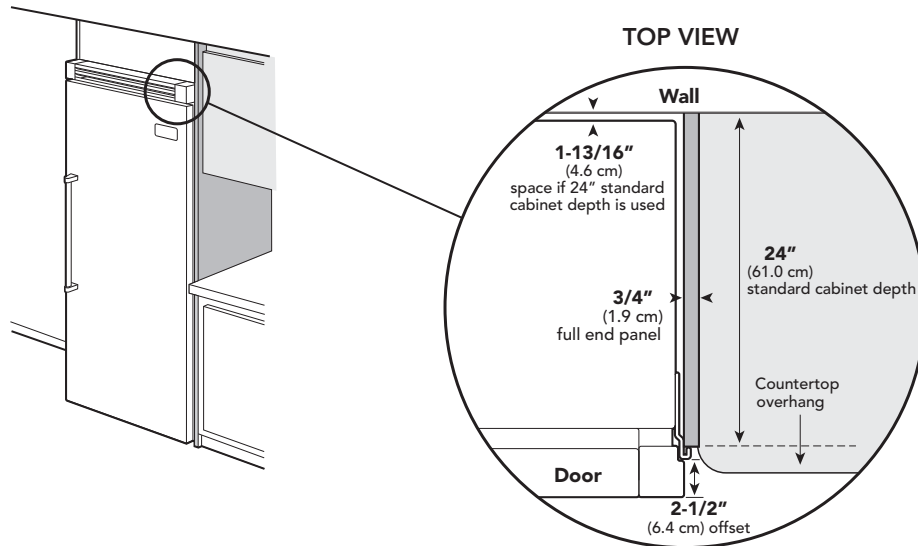
See **Custom Panels** section for more information and additional specifications.





### Dimensions & Specifications

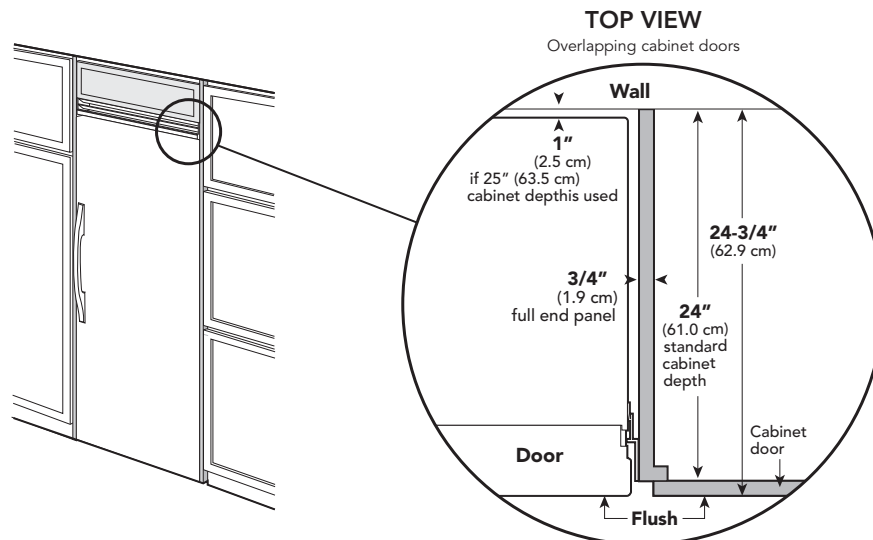
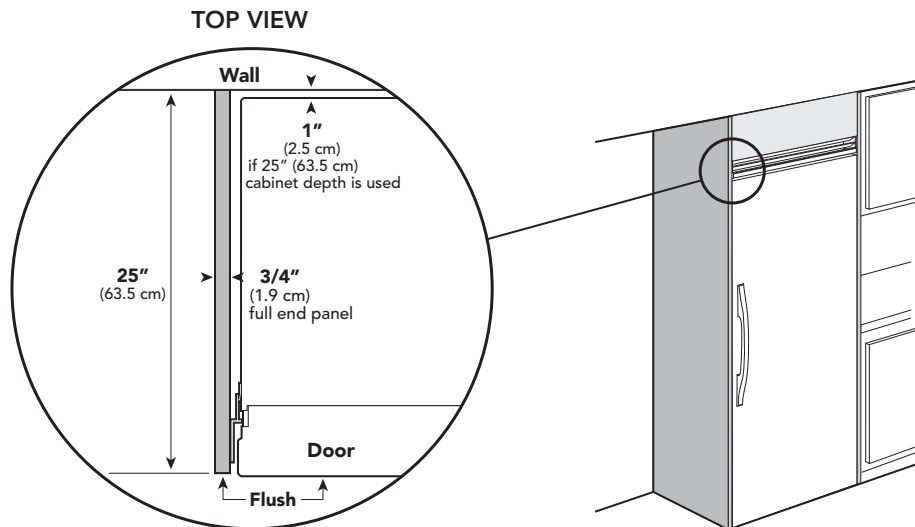
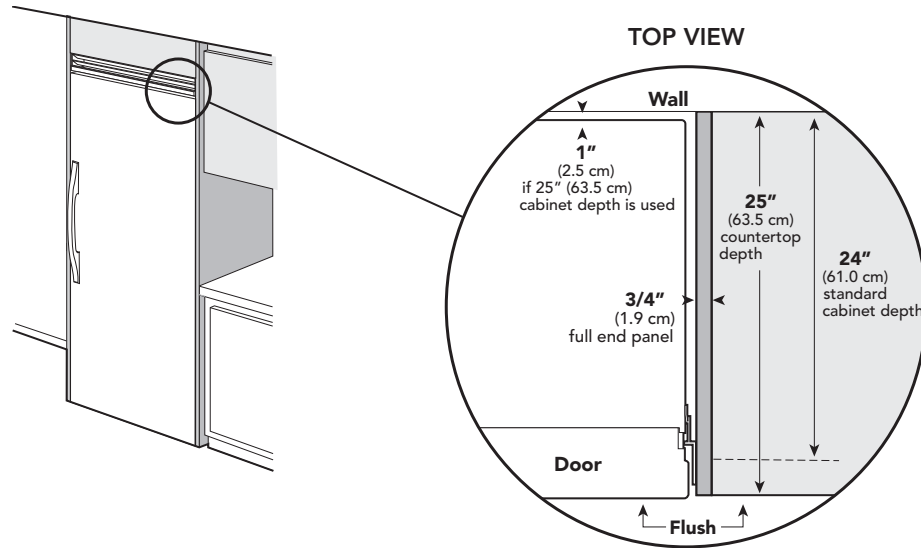
#### CLEARANCE DIMENSIONS—PROFESSIONAL





## Dimensions & Specifications

### CLEARANCE DIMENSIONS—PROFESSIONAL INTEGRATED/DESIGNER





### UTILITY REQUIREMENTS



**GAS**  
Not applicable



- ELECTRICAL**
- Three-wire cord with grounded three-prong plug attached to product
  - 115 VAC/60 Hz; 15 amp dedicated circuit
  - Maximum amp usage—5.7
  - Estimated energy usage—404 kWh/year



**PLUMBING**  
Not applicable

## Installation Requirements

### ACCESS REQUIREMENTS – Single Installation



**VCRB304/VIRB304**  
Professional/  
Professional Integrated

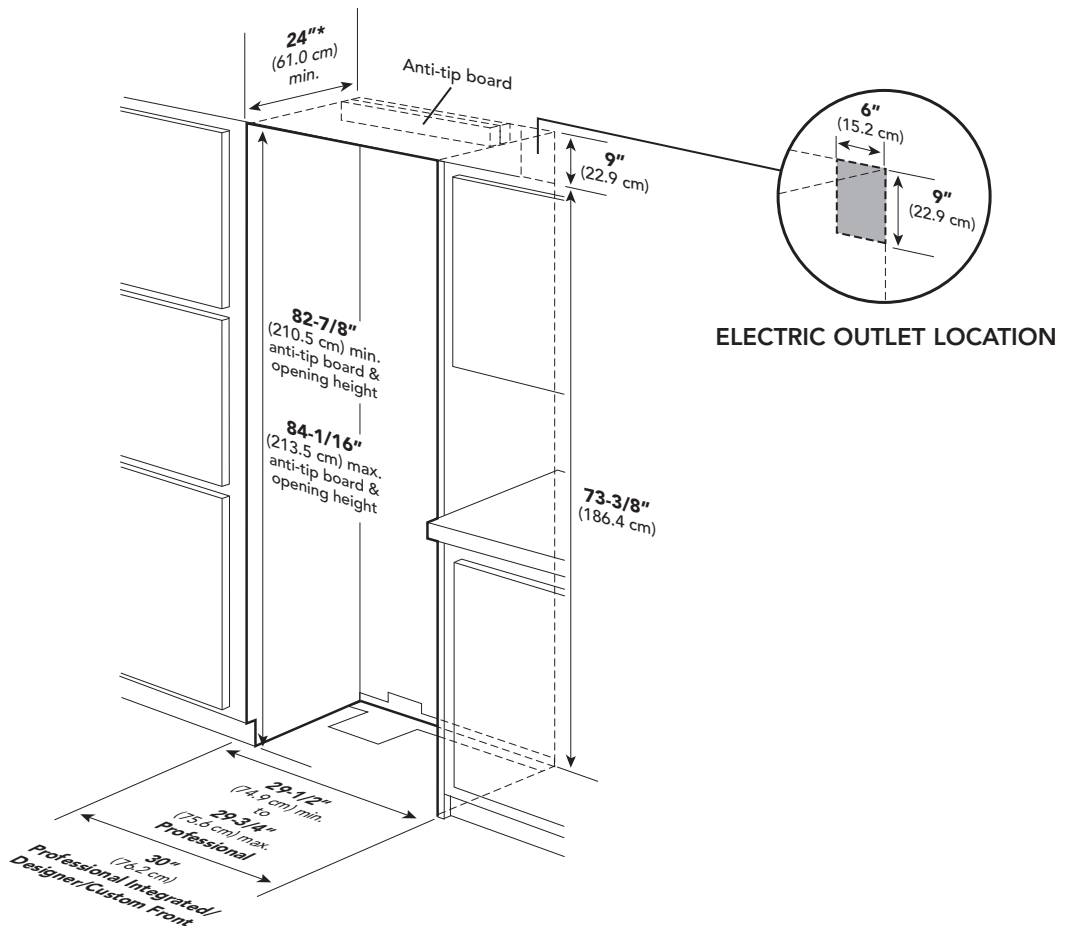


**DDR304**  
Designer



**DFRB304**  
Custom Front

See **Custom Panels** section for more information and additional specifications.



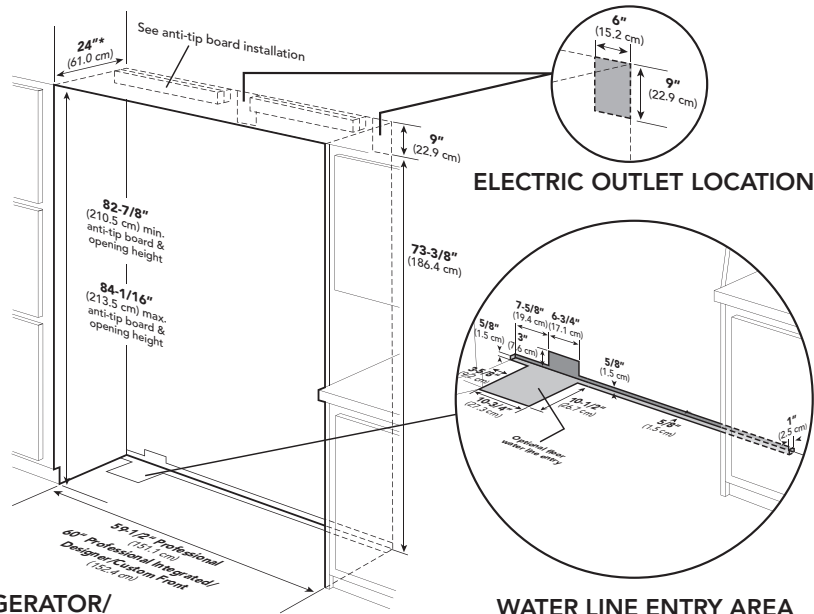
\*Custom front models fit flush in 25"-deep (63.5 cm) cabinet openings. They can be installed in standard 24"-deep openings. The door faces and top grille will protrude 3/4" (1.9 cm) into the room.

	<b>VCRB304</b>	<b>VIRB304</b>	<b>DDR304</b>	<b>DFRB304</b>
Cutout width	29-1/2" (74.9 cm) min. to 29-3/4" (75.6 cm) max.	30" (76.2 cm)	30" (76.2 cm)	30" (76.2 cm)
Cutout height	<b>82-7/8" (210.5 cm) min. to 84-1/16" (213.5 cm) max.</b>			
Cutout depth	<b>24" (61.0 cm) min.*</b>			

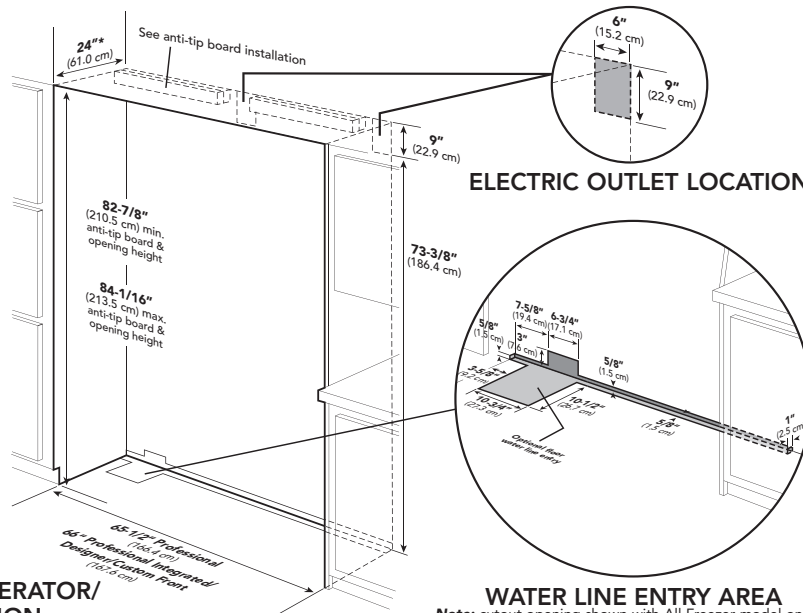


### Installation Requirements

#### ACCESS REQUIREMENTS – Dual Installation



30"W./30"W. REFRIGERATOR/  
FREEZER COMBINATION



30"W./36"W. REFRIGERATOR/  
FREEZER COMBINATION

\*Custom front models fit flush in 25"-deep (63.5 cm) cabinet openings. They can be installed in standard 24"-deep openings. The door faces and top grille will protrude 3/4" (1.9 cm) into the room.

	VCRB304/VCFB304	VIRB304/VIFB304	DDRB304/DDFB304	DFRB304/DFFB304
Cutout width	59-1/2" (151.1 cm)	60" (152.4 cm)	60" (152.4 cm)	60" (152.4 cm)
Cutout height	82-7/8" (210.5 cm) min. to 84-1/16" (213.5 cm) max.			
Cutout depth	24" (61.0 cm) min.*			

	VCRB304/VCFB364	VIRB304/VIFB364	DDRB304/DDFB364	DFRB304/DFFB364
Cutout width	65-1/2" (166.4 cm)	66" (167.6 cm)	66" (167.6 cm)	66" (167.6 cm)
Cutout height	82-7/8" (210.5 cm) min. to 84-1/16" (213.5 cm) max.			
Cutout depth	24" (61.0 cm) min.*			





## ★ Installation Notes & Accessories

### Side Panel Kits

- Stainless Steel (SS)
- Panels provide finished, freestanding look; unit must still be secured to the wall
- Kit includes one panel and installation hardware

Model	Description	Approx. ship wt. lbs. (kg)
PSSPL2	Professional side panel left (VCRB)	45 (20.2)
PSSPR2	Professional side panel right (VCRB)	45 (20.2)
DSSPL2	Designer side panel left (VIRB/DDRB/DFRB)	45 (20.2)
DSSPR2	Designer side panel right (VIRB/DDRB/DFRB)	45 (20.2)

### Side Panel Hardware Kit

- For use with Designer built-in refrigerator/freezers
- Hardware allows installation of custom side panels
- Kit includes brackets, screws, and installation instructions to mount panels on left and right side

Model	Description	Approx. ship wt. lbs. (kg)
SPHKDS	Side panel hardware	3 (1.4)

### Top Panel Kit

- Stainless Steel (SS)
- Panel provides finished, freestanding look; unit must still be secured to the wall
- Kit includes one panel and installation hardware

Model	Description	Approx. ship wt. lbs. (kg)
TOP-30	30"W. top panel	21 (9.5)

### Top Grille Kits

- Stainless Steel (SS)
- 60"W. top grille kit—for use with installation of two 30"W. all refrigerators/all freezers side-by-side
- 66"W. top grille kit—for use with installation of one 30"W. and one 36"W. all refrigerators/all freezers side-by-side
- Grille creates a single unit look
- Kit includes one full-length grille, center cabinet trim connector, and installation hardware

Model	Description	Approx. ship wt. lbs. (kg)
PGK60-SS	Professional 60"W. grille (for two VCRB/VCFB units)	21 (9.5)
PGK66-SS	Professional 66"W. grille (for two VCRB/VCFB units)	23 (10.4)
IGK60-SS	Professional Integrated 60"W. grille (for two VIRB/VIFB units)	21 (9.5)
IGK66-SS	Professional Integrated 66"W. grille (for two VIRB/VIFB units)	23 (10.4)
DGK60-SS	Designer 60"W. grille (for two DDRB/DDFB/DFRB/DFFB units)	21 (9.5)
DGK66-SS	Designer 66"W. grille (for two DDRB/DDFB/DFRB/DFFB units)	23 (10.4)

### Center Trim Kit

- Stainless Steel (SS)
- Kit includes center cabinet trim connector to install two custom front units with wood top grille

Model	Description	Approx. ship wt. lbs. (kg)
FCTK-SS	Center trim	5 (2.3)





# REFRIGERATION

## Built-In 30"W. All Refrigerator



### Handle Kits

- For use with custom front refrigerators
- For use on locally supplied custom front panels
- Handles allow refrigerators/freezers with custom front panel to coordinate with other Professional and Designer products
- Kit includes handle(s) and installation hardware

Model	Description	Approx. ship wt. lbs. (kg)
PHK26-SS	Professional one handle (Stainless Steel)	7 (3.2)
PHK26-BR	Professional one handle (Brass)	7 (3.2)
DHK25-SS	Designer one handle (Stainless Steel)	7 (3.2)
DHK25-BR	Designer one handle (Brass)	7 (3.2)
PHKDFBB-SS	Professional two handles (Stainless Steel)	10 (4.5)
PHKDFBB-BR	Professional two handles (Brass)	10 (4.5)
HKFDS-SS	Designer two handles (Stainless Steel)	10 (4.5)
HKFDS-BR	Designer two handles (Brass)	10 (4.5)

### Compliance Information



### WARRANTY SUMMARY\*

- Two-year full warranty—complete unit
- Six-year full warranty—sealed refrigeration system
- Twelve-year limited warranty—sealed refrigeration system (includes compressor, condenser, dryer/strainer, evaporator, and connecting tubing)
- Ninety-day limited warranty—cosmetic parts such as glass, painted, and decorative items

\*For complete warranty see *Use & Care Guide*. Warranty valid on Viking products shipped within the United States and Canada.



## Free Manuals Download Website

<http://myh66.com>

<http://usermanuals.us>

<http://www.somanuals.com>

<http://www.4manuals.cc>

<http://www.manual-lib.com>

<http://www.404manual.com>

<http://www.luxmanual.com>

<http://aubethermostatmanual.com>

Golf course search by state

<http://golfingnear.com>

Email search by domain

<http://emailbydomain.com>

Auto manuals search

<http://auto.somanuals.com>

TV manuals search

<http://tv.somanuals.com>