

Vinotemp®

A PROUD HERITAGE OF EXPERIENCE & QUALITY

PORTOFINO

Thermoelectric Furniture-Style Wine Cellars

OWNERS MANUAL

Vinotemp®

WWW.VINOTEMP.COM

General Operating Instructions:

- **Let the unit rest, UNPLUGGED for 4 hours** once you have it placed in your home.
- Units must have a minimum of a 6-8 inch clearance all around to allow for maximum airflow and function. Building in these units is not possible.
- Units include a drip pan for condensation and must be periodically emptied.
- Do not install in a garage or basement.

Please read and follow all safety rules and operating instructions before using.

Portofino

Thermoelectric Furniture Cellars

are the perfect combination of function and style. The various designs work in many decors and provide effective and attractive wine storage. The Portofino Series has a temperature range of 50-65 degrees Fahrenheit and provides service and storage for all varieties of wine. Optimal temperature levels and performance of these units depends on proper care, placement and ambient temperature.

Thermoelectric cooling is eco-friendly, virtually silent, and energy efficient.

Serving Wines

Storing wines at the proper temperature is important. To preserve them as long as possible generally wine should be stored at 55° Fahrenheit. However, the chart below suggests the optimal drinking temperature for the different styles of wine.

°C	°F	Wine Style
19	66	Armagnac, Brandy, Cognac
18	64	Full Bodied Red wines, Shiraz
17	62	Tawny Port
15	59	Medium Bodied Red Wines
14	57	Amontillado Sherry
13	55	Light Bodied Red Wines
12	54	Full Bodied White Wines
11	52	Medium Bodied White Wines
10	50	Rosé, Light Bodied White Wines
9	48	Vintage Sparkling
8	46	Fino Sherry
7	45	Non Vintage Sparkling

TABLE OF CONTENTS

PARTS AND SPECIFICATIONS	5
VT-BORDEAUX1.....	5
VT-BORDEAUX3.....	6
VT-BORDEAUX2C.....	7
VT-BORDEAUX2H.....	8
VT-RIOJA1.....	9
VT-RIOJA2.....	10
VT-RIOJA4.....	11
VT-KENDALL WB.....	12
VT-NAPA1.....	13
VT-NAPA2.....	14
VT-PORTOFINO3D.....	15
VT-PORTOFINO2D.....	16
VT-BLEEKERBAR.....	17
VT-BLEEKER2.....	18
IMPORTANT SAFETY INSTRUCTIONS.....	19
INSTALLATION INSTRUCTIONS	20
Before Using Your Appliance.....	20
Installation of Your Appliance	20
Electrical Connection	21
Circuit Diagram	21
SETTING THE TEMPERATURE CONTROL.....	22
CARE AND MAINTENANCE	23
Cleaning Your Appliance	23
Power Failure	23
Vacation Time	23
Moving Your Appliance.....	23
Energy Saving Tips.....	23
TROUBLE SHOOTING GUIDE.....	24
TERMS OF SALE & WARRANTY	25

PARTS AND SPECIFICATIONS

VT-BORDEAUX1

<ol style="list-style-type: none"> 1. Cabinet 2. Fan 3. Shelves 4. Thermostat 5. Cellar Door 6. Magnetic Seal 7. Light Switch 8. Handle 9. Drip Pan 	
Type	1 Temp
Item	VT-BORDEAUX1 – Bordeaux Wine Cellar
Bottle Capacity	42
Case	MDF + Wood Veneer
Door	Glass or MDF + Wood Veneer with Wood Frame
Dimension (HxWxD)	39.4" x 25.4" x 24.4"
Weight	143lbs
Power Consumption	2.00 kW.h/24hrs
Cooling System	Thermoelectric Cooling System + R134a
Ambient Temp	72-78°F
Temperature Range	50–65°F
Rated Voltage	AC 110V
Rated Frequency	60Hz
Input Power	124W

**Please note that each unit has a Drip Pan in the front. Please check and clear the water regularly.

VT-BORDEAUX3

<ol style="list-style-type: none"> 1. Cabinet 2. Fan 3. Shelves 4. Thermostat 5. Cellar Door 6. Magnetic Seal 7. Light Switch 8. Handle 9. Drip Pan 	
Type	3 Temp
Item Number	VT-BORDEAUX3 & VT-BORDEAUX3L
Bottle Capacity	60
Case	MDF + Wood Veneer
Door	Glass or MDF + Wood Veneer with Wood Frame
Dimension (HxWxD)	76" x 19.25" x 20.75 "
Weight	172lbs
Power Consumption	3.00 kW.h/24hr
Cooling System	Thermoelectric Cooling System + R134a
Ambient Temp	72-78°F
Temperature Range	50 - 65°F
Rated Voltage	AC 110V
Rated Frequency	60Hz
Input Power	186W

**Please note that the each compartment has an individual temperature control dial.

**Please note that each unit has a Drip Pan at the back. Please check and clear the water regularly.

VT-BORDEAUX2C

<ol style="list-style-type: none"> 1. Cabinet 2. Fan 3. Shelves 4. Thermostat 5. Cellar Door 6. Magnetic Seal 7. Light Switch 8. Handle 9. Drip Pan 	
Type	2 Temp
Item Number	VT-BORDEAUX2C
Bottle Capacity	84
Case	MDF + Wood Veneer
Door	Glass or MDF + Wood Veneer with Wood Frame
Dimension (HxWxD)	39.4" x 49.8" x 24.4"
Weight	246lbs
Power Consumption	3.00 kW.h/24hr
Cooling System	Thermoelectric Cooling System + R134a
Ambient Temp	72-78°F
Temperature Range	50-65°F
Rated Voltage	AC 110V
Rated Frequency	60Hz
Input Power	248W

**Please note that the each compartment has an individual temperature control dial.

**Please note that each unit has two Drip Pans in the front. Please check and clear the water regularly.

VT-BORDEAUX2H

<ol style="list-style-type: none"> 1. Cabinet 2. Fan 3. Shelves 4. Thermostat 5. Cellars Door 6. Magnetic Seal 7. Light Switch 8. Handle 9. Drip Pan 	
Type	2 Temp
Item Number	VT-BORDEAUX2H & VT-BORDEAUX2HL
Bottle Capacity	84
Case	MDF + Wood Veneer
Door	Glass or MDF + Wood Veneer with Wood Frame
Dimension (HxWxD)	74.8" x 25.2" x 24.4"
Weight	242lbs
Power Consumption	3.00 kW.h/24hr
Cooling System	Thermoelectric Cooling System + R134a
Ambient Temp	72-78°F
Temperature Range	50-65°F
Rated Voltage	AC 110V
Rated Frequency	60Hz
Input Power	248W

**Please note that the each compartment has an individual temperature control dial.

**Please note that each unit has a Drip Pan in the front. Please check and clear the water regularly.

VT-RIOJA1

<ol style="list-style-type: none"> 1. Cabinet 2. Drawer 3. Light Switch 4. Fan/Cover 5. Shelf 6. Thermostat Knob 7. Door 8. Magnetic Seal 9. Handle 	
Type	1 Temp
Item Number	VT-RIOJA1 – Rioja Wine Cellar
Bottle Capacity	20
Case	MDF + Wood Veneer
Door	Glass or MDF + Wood Veneer with Wood Frame
Dimension (HxWxD)	45.3" x 20.7" x 20.5"
Weight	99lbs
Power Consumption	1.00 kW.h/24hr
Cooling System	Thermoelectric Cooling System + R134a
Ambient Temp	72-78°F
Temperature Range	50-65°F
Rated Voltage	AC 110V
Rated Frequency	60Hz
Input Power	62W

**Please note that each unit has a Drip Pan at the back. Please check and clear the water regularly.

VT-RIOJA2

<ol style="list-style-type: none"> 1. Cabinet 2. Fan 3. Shelf 4. Thermostat 5. Cellar Door 6. Magnetic Seal 7. Light switch 8. Handle 	
Type	2 Temp
Item Number	VT-RIOJA2
Bottle Capacity	42
Case	MDF + Wood Veneer
Door	Glass or MDF + Wood Veneer with Wood Frame
Dimension (HxWxD)	67.5" x 19.7" x 21.4"
Weight	209lbs
Power Consumption	2.00 kW.h/24hr
Cooling System	Thermoelectric Cooling System + R134a
Ambient Temp	72-78°F
Temperature Range	50-65°F
Rated Voltage	AC 110V
Rated Frequency	60Hz
Input Power	124W

**Please note that the each compartment has an individual temperature control dial.

**Please note that each unit has a Drip Pan at the back. Please check and clear the water regularly.

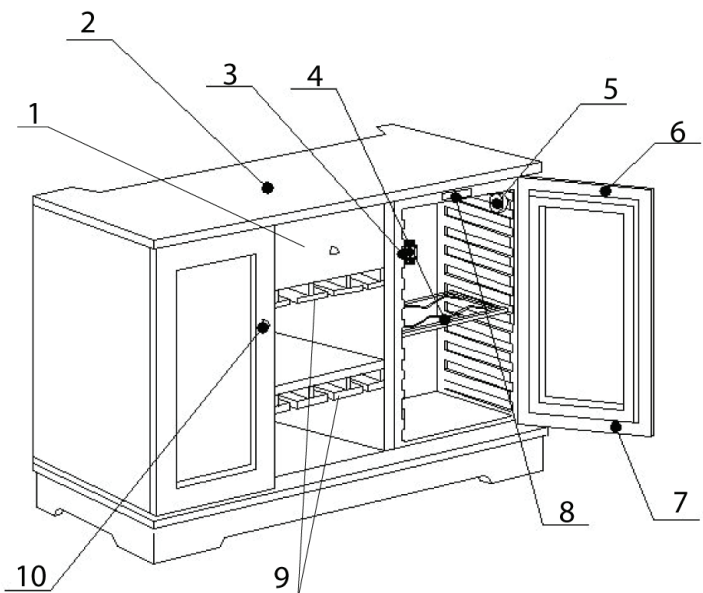
VT-RIOJA4

<ul style="list-style-type: none"> 1. Cabinet 2. Fan 3. Shelve 4. Thermostat 5. Door 6. Magnetic seal 7. Light switch 8. Handle 	
Type	4 Temp
Item Number	VT-RIOJA4
Bottle Capacity	84
Case	MDF + Wood Veneer
Door	Glass or MDF + Wood Veneer with Wood Frame
Dimension (HxWxD)	67.5" x 34.8" x 21.45"
Weight	385lbs
Power Consumption	4.00 kW.h/24hr
Cooling System	Thermoelectric Cooling System + R134a
Ambient Temp	72-78°F
Temperature Range	50-65°F
Rated Voltage	AC 110V
Rated Frequency	60Hz
Input Power	248W

**Please note that the each compartment has an individual temperature control dial.

**Please note that each unit has a Drip Pan at the back. Please check and clear the water regularly.

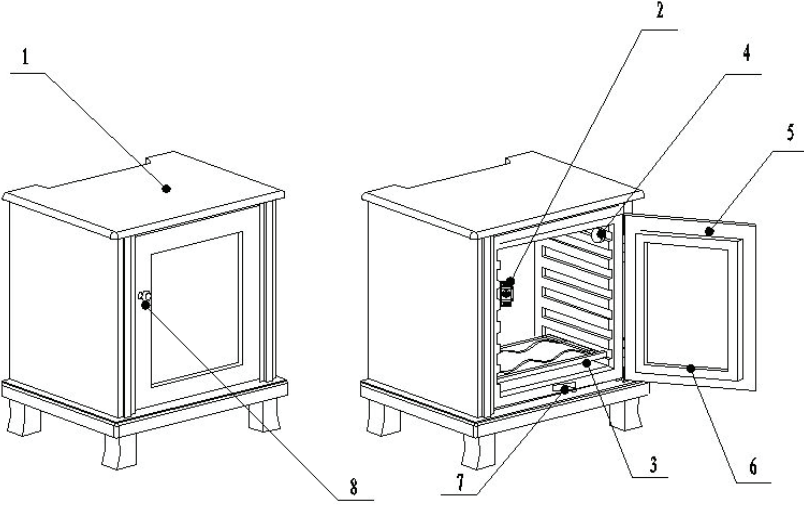
VT-KENDALL WB

<ol style="list-style-type: none"> 1. Cabinet 2. Fan 3. Shelve 4. Thermostat 5. Door 6. Magnetic 7. Light switch 8. Handle 	
Type	2 Temp
Item Number	VT-KENDALL WB – Kendall Wine Bar
Bottle Capacity	42
Case	MDF + Wood Veneer
Door	Glass or MDF + Wood Veneer with Wood Frame
Dimension (HxWxD)	35.8" x 44.9" x 19.7"
Weight	143lbs
Power Consumption	2.00 kW.h/24hr
Cooling System	Thermoelectric Cooling System + R134a
Ambient Temp	72-78°F
Temperature Range	50-65°F
Rated Voltage	AC 110V
Rated Frequency	60Hz
Input Power	124W

**Please note that the each compartment has an individual temperature control dial.

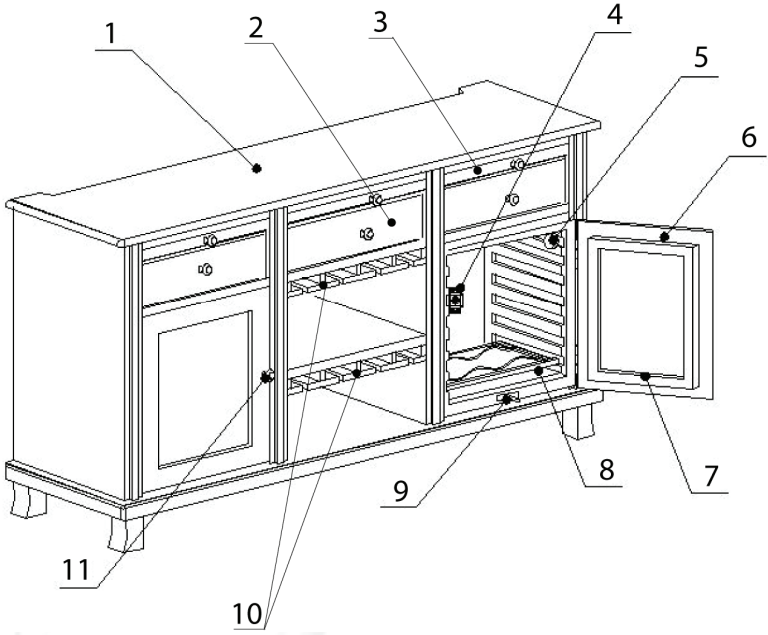
**Please note that each unit has two Drip Pans at the back. Please check and clear the water regularly.

VT-NAPA1

<ol style="list-style-type: none"> 1. Cabinet 2. Fan 3. Shelf 4. Thermostat 5. Door 6. Magnetic Seal 7. Light Switch 8. Handle 	
Type	1 Temp
Item Number	VT-NAPA1 – Napa Wine Cellar
Bottle Capacity	20
Case	MDF + Wood Veneer
Door	Glass or MDF + Wood Veneer with Wood Frame
Dimension (HxWxD)	31" x 25.5" x 21"
Weight	77lbs
Power Consumption	1.00 kW.h/24hr
Cooling System	Thermoelectric Cooling System + R134a
Ambient Temp	72-78°F
Temperature Range	50-65°F
Rated Voltage	AC 110V
Rated Frequency	60Hz
Input Power	62W

**Please note that each unit has a Drip Pan at the back. Please check and clear the water regularly.

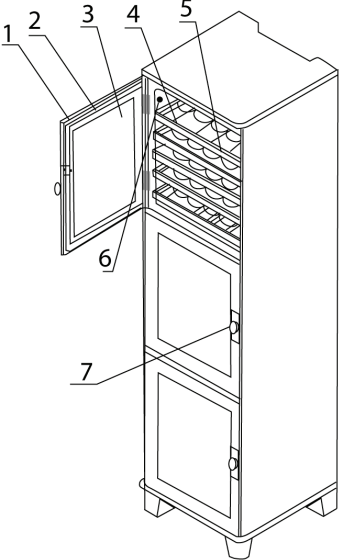
VT-NAPA2

<ol style="list-style-type: none"> 1. Cabinet 2. Drawer 3. Serving Tray/Shelf 4. Fan/Cover 5. Thermostat 6. Door 7. Magnetic Seal 8. Shelf 9. Light switch 10. Glass Racks 11. Handle 	
Type	2 Temp
Item Number	VT-NAPA2
Bottle Capacity	40
Case	MDF + Wood Veneer
Door	Glass or MDF + Wood Veneer with Wood Frame
Dimension (HxWxD)	39" x 59.5" x 20.5"
Weight	352lbs
Power Consumption	2.00 kW.h/24hr
Cooling System	Thermoelectric Cooling System + R134a
Ambient Temp	72-78°F
Temperature Range	50-65°F
Rated Voltage	AC 110V
Rated Frequency	60Hz
Input Power	124W

**Please note that the each compartment has an individual temperature control dial.

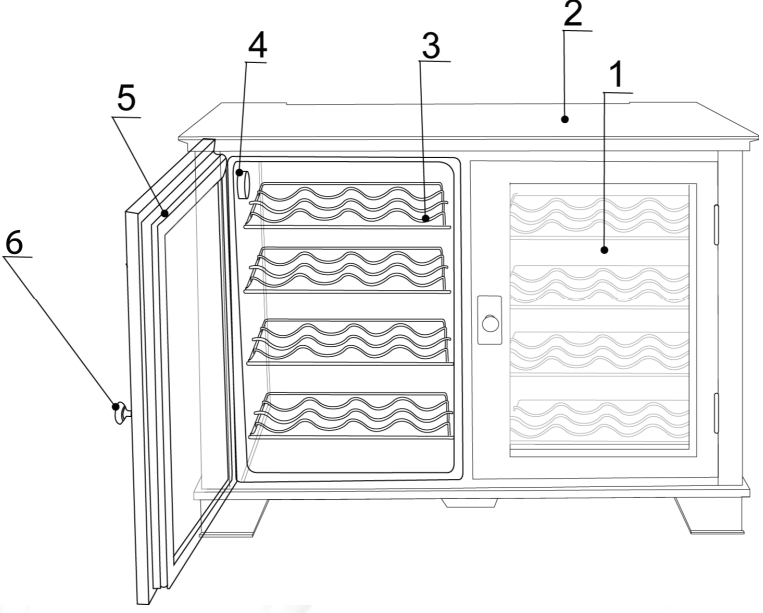
**Please note that each unit has two Drip Pans at the back. Please check and clear the water regularly.

VT-PORTOFINO3D

<ol style="list-style-type: none"> 1. Door 2. Magnetic Seal 3. Glass 4. Shelf 5. Fan and Cover 6. Temperature Control Knob 7. Handle 	
U.S. Patent No. D583166	
Type	3 Temp
Item Number	VT-PORTOFINO3D – Hamilton Wine Cellar
Bottle Capacity	60
Case	Wood exterior with black finish
Door	Glass + wood exterior with stainless steel handles
Dimension (HxWxD)	80.25" x 22.5" x 20.5"
Weight	172lbs
Power Consumption	3.00 kW.h/24hr
Cooling System	Thermoelectric cooling system + R134a
Ambient Temp	72-78°F
Temperature Range	50-65°F
Rated Voltage	AC 110V
Rated Frequency	60Hz
Input Power	186W

**Please note that each unit has a Drip Pan at the back. Please check and clear the water regularly.
 **Please note that the each compartment has an individual temperature control dial.

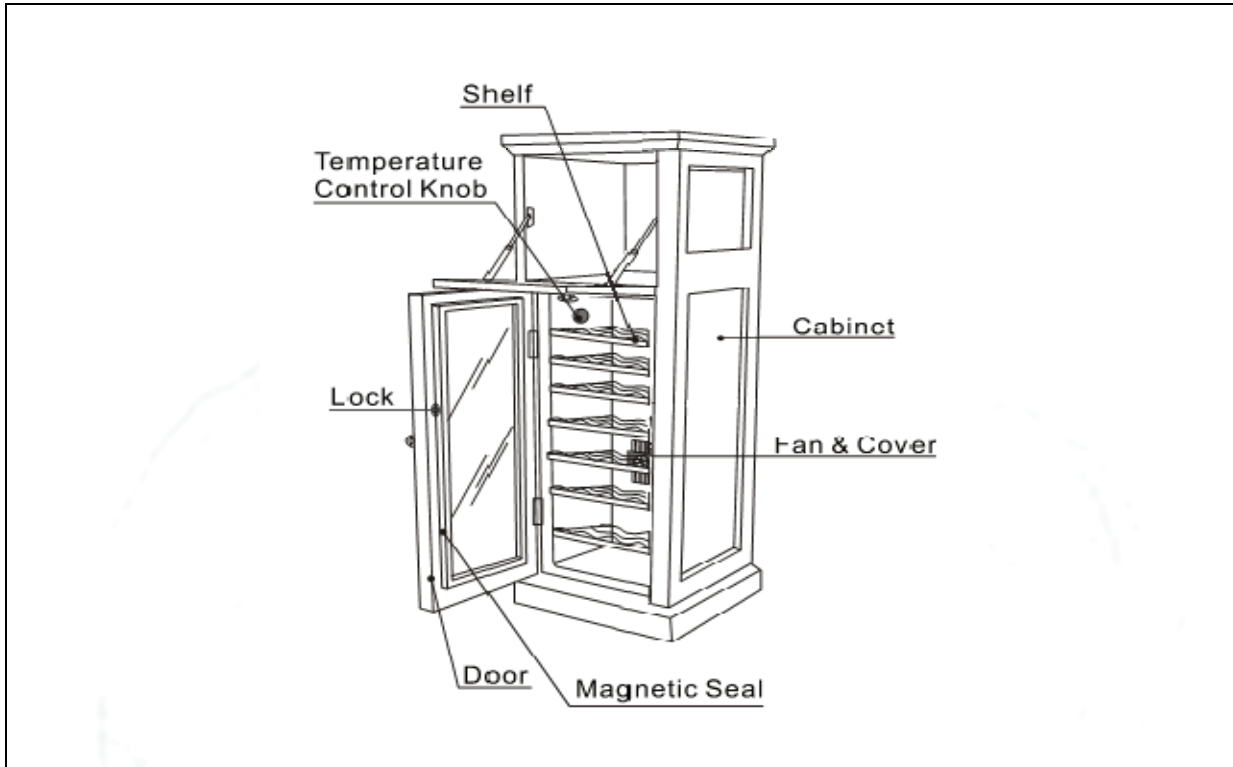
VT-PORTOFINO2D

<ol style="list-style-type: none"> 1. Glass Panel Door 2. Cabinet 3. Shelf 4. Temperature Control Knob 5. Magnetic Seal 6. Handle 	
U.S. Patent No. D586585	
Type	2 Temp
Item Number	VT-PORTOFINO2D
Bottle Capacity	40
Case	Wood Exterior with Stainless Steel Hardware
Door	Double-paned glass door
Dimension (HxWxD)	32.78" x 42.38" x 22"
Weight	172lbs
Power Consumption	2.00 kW.h/24hr
Cooling System	Thermoelectric Cooling System + R134a
Ambient Temp	72-78°F
Temperature Range	50-65°F
Rated Voltage	AC 110V
Rated Frequency	60Hz
Input Power	124W

**Please note that each unit has a Drip Pan at the back. Please check and clear the water regularly.

**Please note that the each compartment has an individual temperature control dial.

VT-BLEEKERBAR



Type	1 Temp
Item Number	VT-BLEEKERBAR – Bleeker Wine Bar
Bottle Capacity	21
Case	MDF + Wood Veneer
Door	Glass with Wood Frame
Dimension (HxWxD)	49.5" x 18" x 20.5"
Weight	50 lbs
Power Consumption	1.0 kW.h/24hr
Cooling System	Thermoelectric Cooling System + R134a
Ambient Temp	72-78°F
Temperature Range	50-65°F
Rated Voltage	AC 110V
Rated Frequency	60Hz
Input Power	62W

**Please note that each unit has a Drip Pan at the back. Please check and clear the water regularly.

VT-BLEEKER2

<ol style="list-style-type: none"> 1. Glass Panel Door 2. Cabinet 3. Handle / Storage Space 4. Light Switch 5. Magnetic Seal 6. Shelf 	
Type	2 Temp
Item Number	VT-BLEEKER2
Bottle Capacity	42
Case	MDF + Wood Veneer
Door	Glass + Wood Veneer with Wood Frame
Dimension (HxWxD)	50" x 31.5" x 20.25"
Weight	172lbs
Power Consumption	3.00 kW.h/24hr
Cooling System	Thermoelectric Cooling System + R134a
Ambient Temp	72-78°F
Temperature Range	50-65°F
Rated Voltage	AC 110V
Rated Frequency	60Hz
Input Power	186W

**Please note that each unit has a Drip Pan at the back. Please check and clear the water regularly.

**Please note that the each compartment has an individual temperature control dial.

IMPORTANT SAFETY INSTRUCTIONS

Read all instructions before using the appliance.

WARNING	To reduce the risk of fire, electrical shock or injury when using your appliance, follow these basic precautions.
<ul style="list-style-type: none">• Never clean appliance parts with flammable fluids. The fumes can create a fire hazard or explosion.• Do not store or use gasoline or any other flammable vapors and liquids in the vicinity of this or any other appliance. The fumes may create a fire hazard or explosion.	
DANGER	Risk of child entrapment.

- Child entrapment and suffocation warning.
- Junked or abandoned appliances are still dangerous even if they will “just sit in the garage for a few days”.
- Before you throw away your old appliance: Take off the doors. Leave the shelves in place so that children may not climb inside easily.
- Never allow children to operate, play with, or crawl inside the appliance.

-Save these instructions-

INSTALLATION INSTRUCTIONS

Before Using Your Appliance

- Remove the exterior and interior packing.
- Check to be sure you have all of the following parts:
 - *Wooden / Metal Shelves (Number of pieces are subject to the model)*
 - *Instruction Manual*
- Before connecting the appliance to the power source, let it stand upright for approximately 4 hours. This will reduce the possibility of a malfunction in the cooling system from handling during transportation.
- Clean the interior surface with lukewarm water using a soft cloth and leave doors open to air out BEFORE plugging in your appliance.

Installation of Your Appliance

- This appliance is designed to be free standing only, and should not be recessed or built-in.
- Leave at least 8" space from back wall.
- Leave at least 6" space for each side.
- Place your appliance on a floor that is strong enough to support it even when it is fully loaded.
- Floor should be even.
- Locate the appliance away from direct sunlight and sources of heat (stove, heater, radiator, etc.) Direct sunlight may affect the coating and heat sources may increase electrical consumption. Extreme cold ambient temperatures may also prohibit the unit from performing properly.
- Avoid locating the unit in moist areas and keep cord and plug dry.
- Designed for indoor use only. Do not install in a garage or basement.
- Never put heavy articles on top of the unit.
- Plug the appliance into an exclusive, properly installed-grounded 110 volt wall outlet. Do not under any circumstances cut or remove the third (ground) prong from the power cord.
- Any questions concerning power and/or grounding should be directed toward a certified electrician or a service center authorized by Vinotemp.

Electrical Connection

WARNING

Improper use of the grounded plug can result in the risk of electrical shock. If the power cord is damaged, have it replaced by a service center authorized by Vinotemp.

This appliance requires a standard 110 Volts A.C. ~/ 60Hz electrical outlet with three-prong ground.

This appliance should be properly grounded for your safety. The power cord of this appliance is equipped with a three-prong plug which connects with standard three prong wall outlets to minimize the possibility of electrical shock.

Plug the appliance into an exclusive, properly installed-grounded 110 volt wall outlet. Do not under any circumstances cut or remove the third (ground) prong from the power cord. Any questions concerning power and/or grounding should be directed to a certified electrician or a service centre authorized by Vinotemp International.

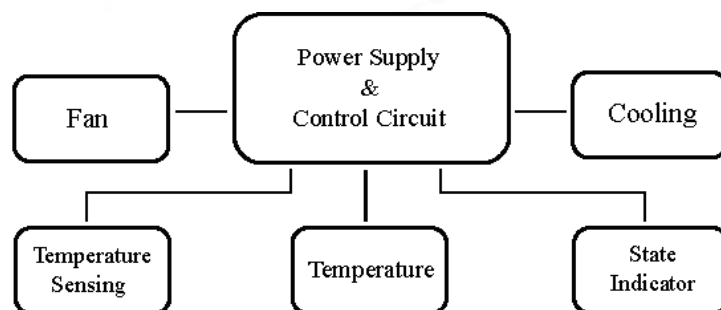
The cord should be secured behind the appliance and not left exposed or dangling to prevent accidental injury.

Do not use an adapter plug with this appliance.

Never unplug by pulling cord. Firmly grasp plug and gently pull.

Do not use an extension cord with this appliance. If the power cord is too short, a qualified electrician or service technician is needed to install an outlet near the appliance.

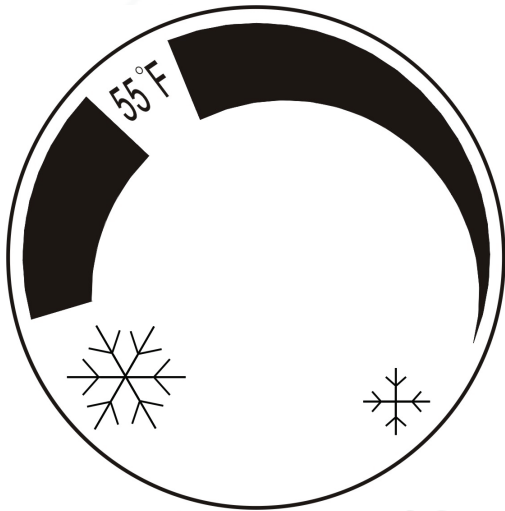
Circuit Diagram



SETTING THE TEMPERATURE CONTROL

FOR EACH ZONE USING MECHANICAL CONTROL KNOB

Mechanical Control Knob



To control the internal temperature, adjust the control dial to achieve your desired temperature.

Temperature can be adjusted from Max Temp (Big Snowflake) to Min Temp (Small Snowflake).

For glass door units, the temperature control is approximately 50-65°F. (For solid door units, the temperature control is approximately 47-65°F.)

To turn off the appliance, turn both temperature controls to minimum setting (small snowflake) and unplug the appliance.

Turning the temperature control to the "minimum" position can stop the cooling cycle of the corresponding chamber, but does not cut off the power to the appliance.

It is recommended that you to install the appliance in a place where the ambient temperature is between 72-78 degrees Fahrenheit. If the ambient temperature is above or below the recommended temperatures, the performance of the unit may be affected. For example, placing your unit in an extreme cold or hot condition may cause interior temperatures to fluctuate. The desired temperature range may not be reached.

Please allow 24-48 hours minimum for wine/cooler to reach proper temperature after first starting.

CARE AND MAINTENANCE

Cleaning Your Appliance

- Turn temperature controls to minimum, unplug the appliance, and remove all items including the shelves.
- Wash the inside surfaces with warm water and baking soda solution. The solution should be about 2 tablespoons of baking soda to a quart of water.
- Wash the shelves with mild detergent solution.
- Wipe the outside cabinet with furniture polish and clean soft cloth.
- The drip tray catches any condensation created by the unit and must be checked and cleaned frequently.

Power Failure

- Most power failures are corrected within a few hours and should not affect the temperature of your appliance. Minimize the number of times the door is opened to maintain the internal temperature of the cooler and your wine.
- If the power is going to be off for a longer period of time, you need to take the proper steps in order to protect your contents.

Vacation Time

- **Short vacations:** Leave the appliance operating during vacations of less than three weeks.
- **Long vacations:** If the appliance will not be used for at least several months, remove all items and unplug the power cord. Clean and dry the interior thoroughly. To prevent door and mold growth, leave the doors open slightly; propping them open if necessary.

Moving Your Appliance

- Remove all items from cooler.
- Securely tape down all loose items (shelves) inside your appliance.
- Tape the door shut.
- Ensure the appliance stays secure in the upright position during transportation.
- Protect the outside of the appliance with a blanket or similar item.
- Leave unit unplugged for 24 hours before turning on in final destination.

Energy Saving Tips

- Appliance should be located in the coolest area of the room, away from heat producing appliances, and out of direct sunlight.
- Never open the door for a long time.

PROBLEMS WITH YOUR APPLIANCE

You can solve many common appliance problems easily and eliminate service call costs. Try the suggestions below to see if you can solve the problem before contacting info@vinotemp.com for service.

TROUBLESHOOTING GUIDE

PROBLEM	POSSIBLE CAUSE
Appliance does not operate	<ul style="list-style-type: none"> • Not plugged in. • The circuit breaker tripped or a blown fuse. • The control knobs are placed in minimum/off position.
Appliance is not cold enough	<ul style="list-style-type: none"> • Check the temperature control setting for each zone. • External environment may be too warm. • Doors are left open too long. • Doors are not closed completely. • Door gaskets do not seal properly.
Turns on and off frequently	<ul style="list-style-type: none"> • Room temperature is warmer than suggested range. • Door is opened too often. • Door is not closed completely. • Temperature control is not set correctly. • Door gasket does not seal properly.
Vibrations	<ul style="list-style-type: none"> • Check to ensure that the appliance is level.
Appliance is making too much noise	<ul style="list-style-type: none"> • Normal contraction and expansion of the inside walls may produce occasional popping and crackling noises. • The appliance is not level. • The appliance is not receiving proper airflow. Make sure cooler has proper clearances and remove heavy dust build-up on back if necessary.
Doors won't close properly	<ul style="list-style-type: none"> • The appliance is not level. • The door magnetic seal is dirty. • The shelves are out of position.

TERMS OF SALE & WARRANTY

Vinotemp International ("Seller") and the person or entity that acquires these goods from Seller ("Purchaser") hereby fully agree to the following terms and conditions of the sale: Shipping fees are the responsibility of the Purchaser whether freight prepaid or freight collect. Seller assumes no responsibility for the goods sold to the Purchaser once the goods have left the Seller's premises, including, but not limited to, late delivery by the moving carrier, or for events caused by any difficulty carrier incurs in attempting to fit the goods into the Purchaser's place of business or residence due to the size of the goods or otherwise. Purchaser assumes all responsibility for delivery, payment of freight, access, measurement, installation, hook-up, wiring, moving and storage of the goods. The transportation of all goods is subject to the terms and conditions which the moving carrier imposes on Purchaser including, but not limited to, additional charges imposed per flight of stairs, and/or additional charges resulting from the carrier's inability to safely and/or adequately use the building elevator to lift the goods to an upper floor. Any claim for damages incurred during shipment by the carrier of the goods are insured and handled directly with the carrier. Any damages due to manufacture defects will be handled directly with Vinotemp International, subject to the limited warranty.

All sales are final, and unless authorized in writing by the Seller, Purchaser may not return the goods, under any circumstance. If Purchaser refuses to accept the goods, under any circumstance, the Purchaser is liable for the return and cost of freight both ways, and if Seller does take back the goods, there will be a restocking charge that is 35% of the purchase price of the goods. Custom Cabinet and Racking are non returnable. Purchaser must notify Seller of non-conforming goods within four days of delivery, after which time all goods are deemed accepted. If an order has been placed and production has started, cancellation of your order will be a 15% charge.

If Purchaser tenders payment with a check that has insufficient funds (NSF), or stops payment on a check or credit card for any reason, Purchaser agrees to pay for all costs associated with the Seller's connection or litigation of such a claim, including without limitation extra damages, court costs and attorneys' fees. Finance charges begin the date of invoice. Collection fees plus NSF fee of \$50 will be added to your invoice, which you agree to promptly pay. Title to the goods does not pass until payment is received in full by Seller and Seller retains a security interest in the goods until they are paid for in full.

Seller warrants that the goods will be free of defects in materials and workmanship as follows: Thermoelectric (Portofino/wood) wine units: 3 (three) months from date of purchase. For a scratch and dent or refurbished unit, warranty is 30 days from your dated invoice (parts for function only, not cosmetic). Purchaser's exclusive remedy is limited, at Seller's option; to repair or replace defective part[s] with either new or factory reconditioned part[s]. Purchaser is responsible for shipping the unit pre-paid to designated facility and Seller will pay return shipping charges in the continental United States for items repaired under warranty within 3 (three) months from date of sale. Since the natural variation in texture, density, grain, color, tone and shade of wood is unavoidable; Seller does not guarantee the texture, color, tone or shade of the wood: nor does seller guarantee the colourfastness of wood or against peeling, chipping, cracking or scratching. Note: Unfinished wood is subject to warping; all wood surfaces must be sealed before placing cellar into service. Improper placement of the unit will void the warranty. This limited warranty does not cover damage due to such things as accident, misuse, abuse, mishandling, neglect, acts of God, fires, earthquakes, floods, high winds, government, war, riot or labor trouble, strikes, lockouts, delay of carrier, unauthorized repair, or any other cause beyond the control of the Seller, whether similar or dissimilar to the foregoing. Seller is not responsible for any damages caused to Seller's property resulting from the good. This limited warranty applies only inside the Continental US. (Alaska, Puerto Rico and Hawaii are not warranted).

Purchaser understands and acknowledges that the goods sold here are wine cellars, cigar humidors, and/or other similar units which house wine or cigars. Purchaser assumes all risk of using these units, including risk of spoilage, humidity variations, temperature variations, leaks, fire, water damage, mold, mildew, dryness and similar and any other perils that might occur.

Seller is not responsible for incidental or consequential damages, and there are no warranties, expressed or implied, which extend beyond the Limited Warranty described above. The implied warranties of merchantability and of fitness for a particular purpose are hereby expressly disclaimed. Some states do not allow the exclusion of incidental or consequential damages, or a waiver of the implied warranties of fitness and/or merchantability, so the above limitations may not apply to you. This warranty gives you specific legal rights and you may also have other rights which vary from state to state.

In the event of any dispute between Seller and Purchaser arising out of or relating to these terms and conditions or to the goods sold generally, Purchaser must first file a written claim with Seller within ten days of the occurrence giving rise to the claim and wait an additional thirty days for a response before initiating any legal action. The sale and all terms are subject to California law. Any legal proceeding arising out of or relating to these terms and conditions or to the goods sold generally shall be brought solely and exclusively in the County of Los Angeles. In no event may Purchaser initiate any legal proceeding more than six months after the occurrence of the event giving rise to the dispute.

The above terms and conditions are the only ones governing this transaction and Seller makes no oral representations of any kind. These Terms and Conditions can only be modified in writing, signed by both Purchaser and Seller.

SERVICE & IMPORTANT NOTICE

Upon receipt of unit and inspection, the supply cord must be replaced if it is damaged. Contact our customer service at 1-800-777-8466.

The Manufacturer has a policy of continuous improvement on its products and reserves the right to change materials and specifications without notice.

WARNING

**Please do not place the unit within reach of children.
For adult use only.**



Contact **info@vinotemp.com** with any questions or visit:
www.vinotemp.com



17621 S. Susana Road
Rancho Dominguez, CA 90221
www.vinotemp.com

Vinotemp is a registered trademark of Vinotemp International. All products, features, and services are subject to change without notice. We cannot guarantee the accuracy of the contents of this document. We disclaim liability for errors, omissions, or future changes.

© 2009 Vinotemp International. All rights reserved.

Free Manuals Download Website

<http://myh66.com>

<http://usermanuals.us>

<http://www.somanuals.com>

<http://www.4manuals.cc>

<http://www.manual-lib.com>

<http://www.404manual.com>

<http://www.luxmanual.com>

<http://aubethermostatmanual.com>

Golf course search by state

<http://golfingnear.com>

Email search by domain

<http://emailbydomain.com>

Auto manuals search

<http://auto.somanuals.com>

TV manuals search

<http://tv.somanuals.com>