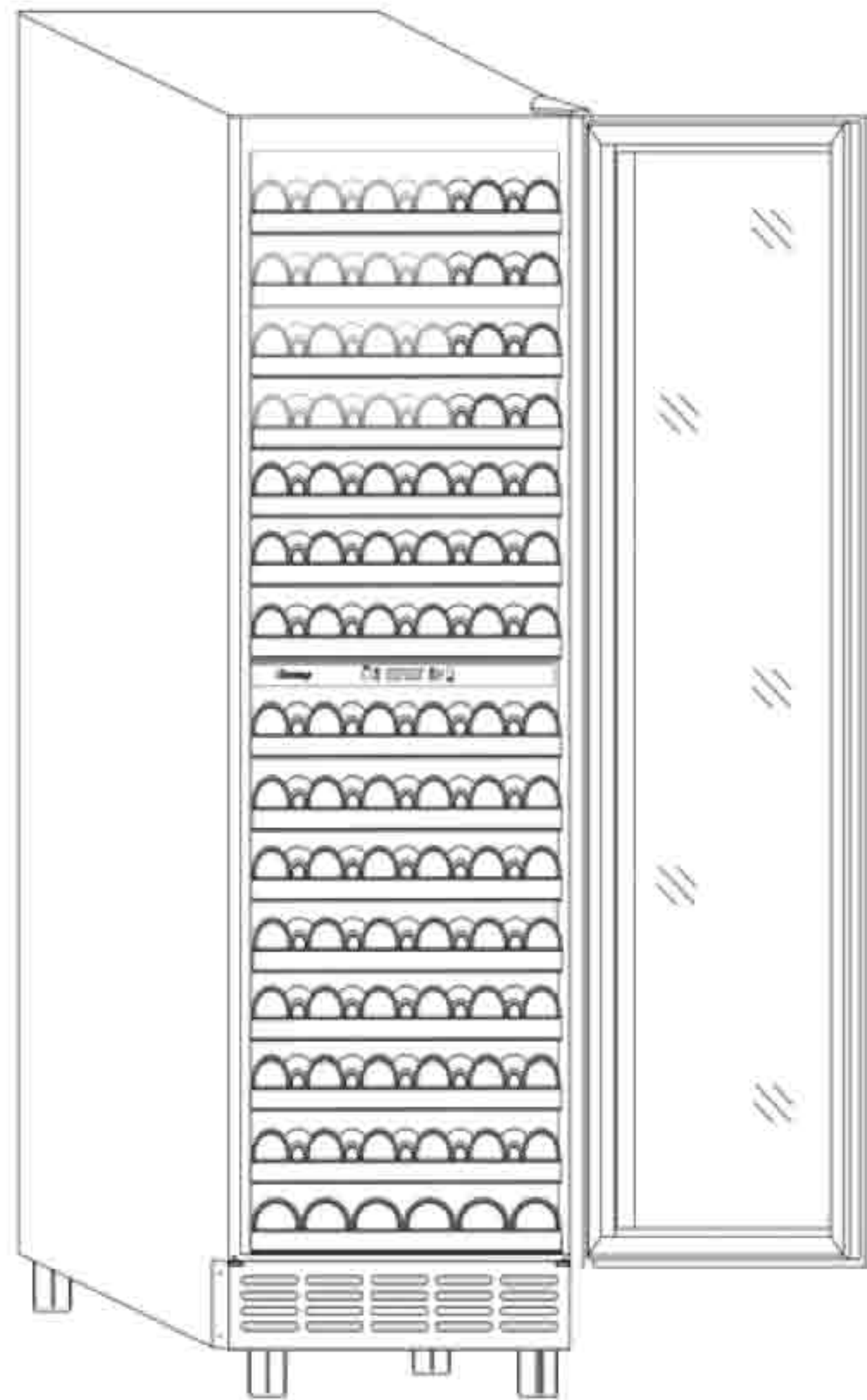


Vinotemp®

A PROUD HERITAGE OF EXPERIENCE & QUALITY



WINE CELLAR

VT-188 (160 BOTTLE)

OWNER'S MANUAL



WWW.VINOTEMP.COM

YOUR WINE CELLAR

This unit can be used for Storage and/or Service. The unit has a glass door and soft interior light that you can leave on to elegantly display your wine.

SERVING WINES

Storing wines at the proper temperature is important. To preserve them as long as possible wine should be stored at approximately 55° Fahrenheit. However, the chart below suggests the optimal drinking temperature for the different styles of wine.

°C	°F	Wine Style
19	66	Armagnac, Brandy, Cognac
18	64.5	Full Bodied Red wines, Shiraz
17	62	Tawny Port
15	59	Medium Bodied Red Wines
14	57	Amontillado Sherry
13	55.5	Light Bodied Red Wines
12	53.5	Full Bodied White Wines
11	52	Medium Bodied White Wines
10	50	Rosé, Light Bodied White Wines
9	48	Vintage Sparkling
8	53.5	Fino Sherry
7	44.5	Non Vintage Sparkling

General Operating Instructions:

Remove all exterior and interior packaging from your wine cellar. Be sure that all parts have been included before discarding any packaging materials. You may want to keep the box and packing materials for use at a later date.

Upon receipt of unit and inspection of unit, the supply cord must be replaced if it is damaged. Contact Vinotemp customer service at info@vinotemp.com or 1-800-777-8466.

- Let the unit rest, UNPLUGGED for 24 hours once you have it placed in your home.
- Please fully read the instruction manual.

**Please read and follow all safety rules
and operating instructions before using.**

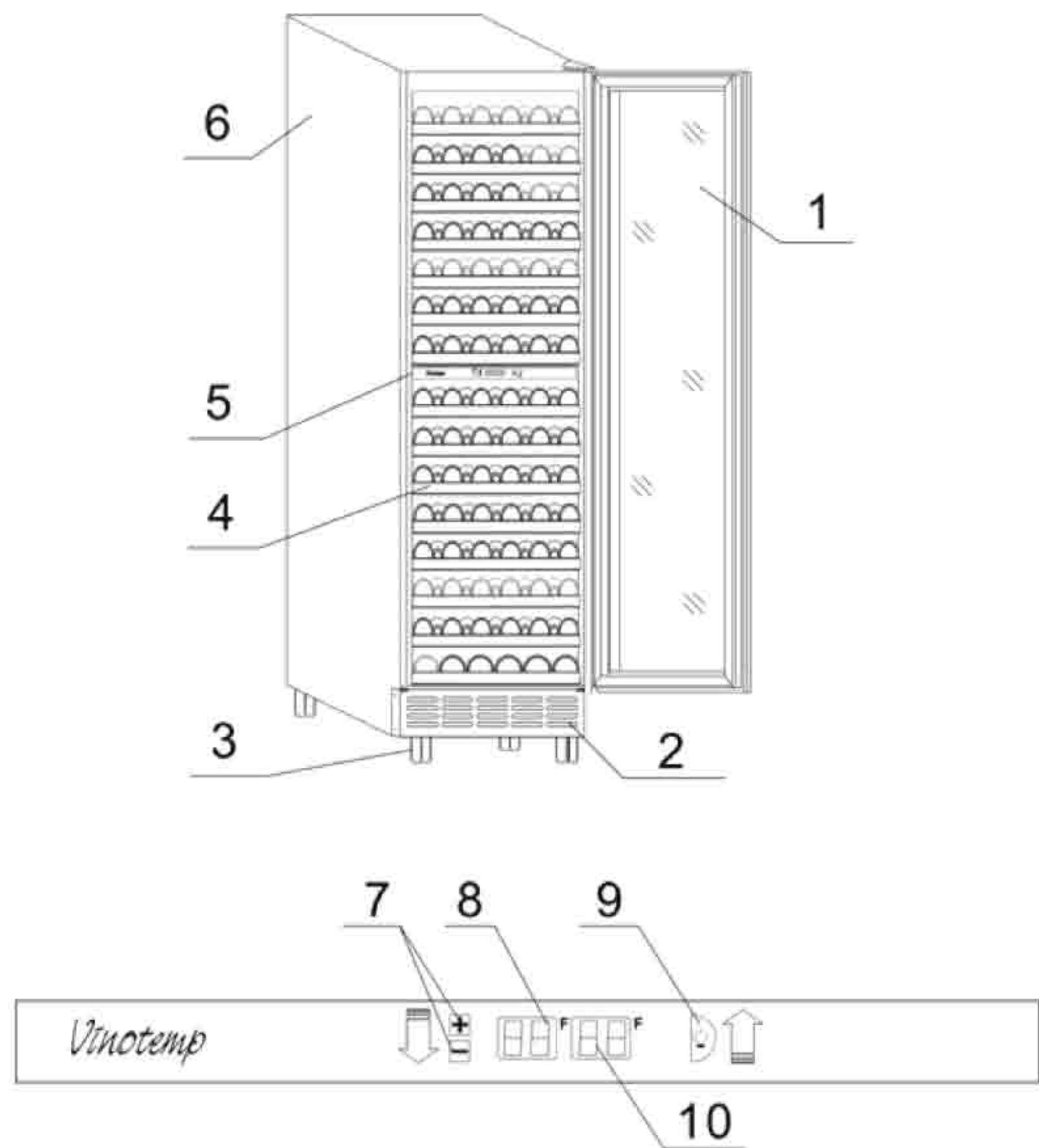


TABLE OF CONTENTS

Parts And Specifications	6
Important Safety Instructions	7
Cord Instructions	8
Operating Instructions	8
Temperature Control	9
Temperature Indication.....	9
Temperature Preset.....	9
Setting The Temperature Control (Manually).....	9
Wine Rack Removal / Installation	10
For Wood Racks.....	10
For Sliding Wood And Metal Racks	11
Handle Installation.....	12
Cleaning And Care.....	12
Troubleshooting	13
Terms Of Sale & Warranty	14
Service & Important Notice.....	15

PARTS AND SPECIFICATIONS

1. Double-pane window
2. Grill
3. Adjustable levelling legs
4. Shelf Racking
5. Control Panel
6. Cabinet
7. Temperature Adjustment
8. LED Display for the lower section of the cabinet
9. Light Switch
10. LED Display for the upper section of the cabinet



See below for your model's specifications.

Rack Style	All-Wood	Sliding Wood & Metal
Type	1 Temp.	1 Temp.
Item Number	VT-188	VT-188
Bottle Capacity	Approx. 160	Approx. 160
Dimension (HxWxD)	75.25"x25.63"x28.5" (1.875" handle not included)	75.25"x25.63"x28.5" (1.875" handle not included)
Weight	271.2 Lbs	344.0 Lbs
Input Power	250W	250W
Cooling System	R134a	R134a
Ambient Temp.	50~85°F (for built-in) 50~90°F (freestanding)	50~85°F (for built-in) 50~90°F (freestanding)
Temperature Range	48~65°F	48~65°F
Rated Voltage	115V	115V
Rated Frequency	60Hz	60Hz
Power Consumption	3.8 kW.h/24h	3.8 kW.h/24h

IMPORTANT SAFETY INSTRUCTIONS

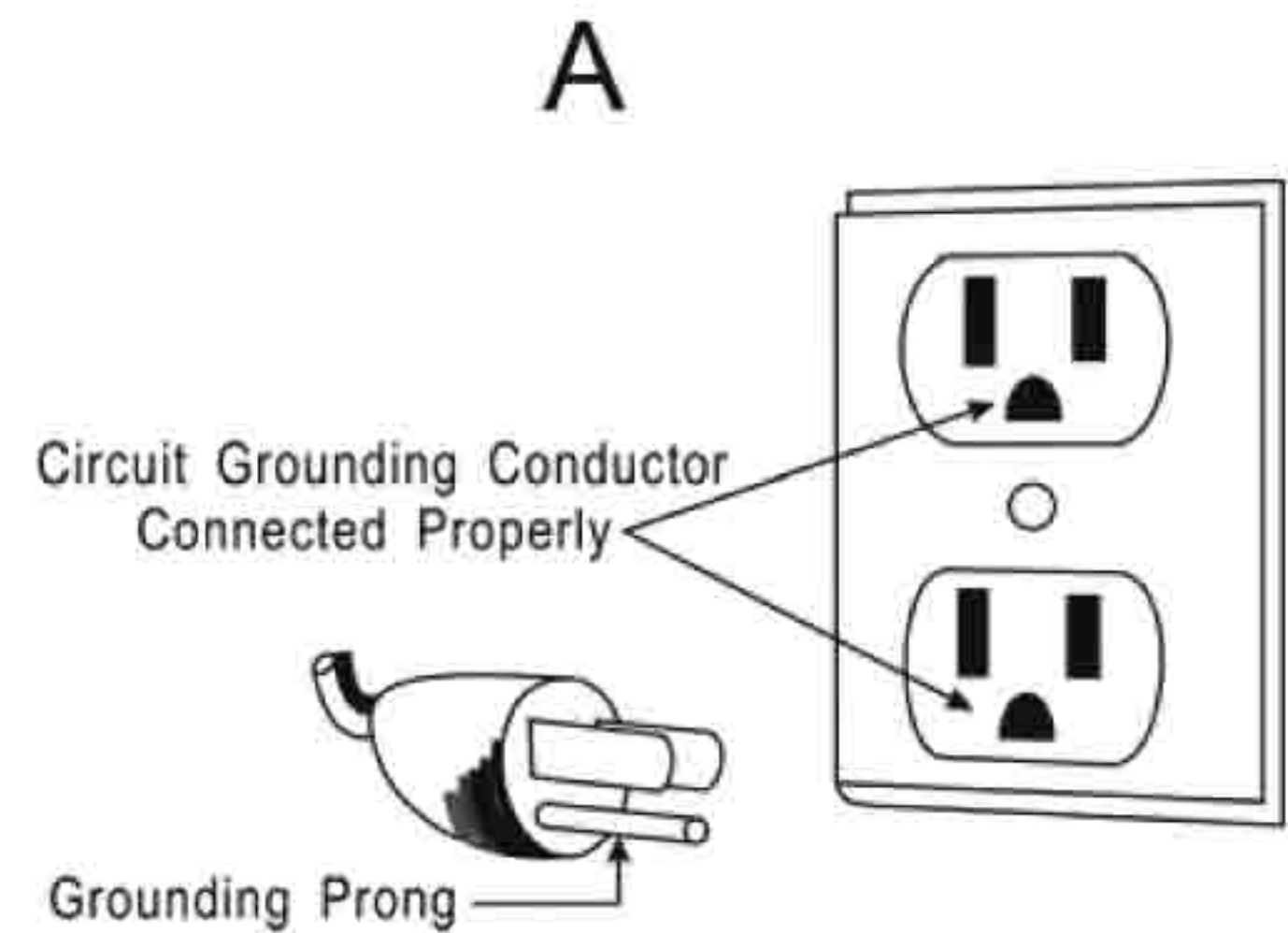
When using an electrical appliance, basic precautions should be followed to reduce the risk of fire, electric shock, and personal injury.

1. Use appliance only as described in this manual. Other uses are not recommended, as it may cause fire, electric shock or personal injury.
2. This product is intended for household use.
3. To protect against electric shock, do not immerse unit, plug or cord in water or other liquids.
4. Keep away from children.
5. **Danger:** Risk of child entrapment. Before you discard wine cellar, take off door and leave shelves in place so that children may not easily climb inside.
6. Unplug from the outlet when not in use, when moving from one location to another or before cleaning.
7. To disconnect the appliance, grip the plug and pull it from the wall outlet. Never pull by the cord.
8. Do not operate the appliance in the presence of explosive and/or flammable fumes.
9. Do not place the appliance or any of its parts near an open flame, cooking or other heating appliance.
10. Do not operate the appliance with a damaged cord or plug. If the product malfunctions, or if it is dropped or damaged in any manner, do not use.
11. The use of attachments is not recommended and may be hazardous.
12. Place the unit on a dry level surface.
13. Do not operate if the housing is removed or damaged.
14. A loose fit plug may cause overheating and a distortion of the plug. Contact a qualified electrician to replace loose or worn outlet.
15. This appliance is designed to be built-in (fully recessed) or freestanding.
16. The wine cellar is intended for use in a controlled ambient location such that the ambient temperature does not exceed 90°F (32°C) with free-standing installation or 85°F (30°C) with built-in installation.
17. Locate the unit away from direct sunlight and sources of heat (stove, heater radiator, etc.). Direct sunlight will affect/alter the outside color of the appliance.

WARNING: To reduce the risk of fire, electric shock or personal injury, unplug or disconnect the appliance from the power supply before servicing.

CORD INSTRUCTIONS

For your protection, this unit is equipped with a 3-conductor cord set that has a molded 3-prong grounding-type plug, and should be used in combination with a properly connected grounding-type outlet as shown in figure A.



Caution: Do not use extension cords.

OPERATING INSTRUCTIONS

1. Place your wine cellar on a solid, flat surface that is strong enough to support the unit when fully loaded.
2. This wine cellar is designed to be built-in (fully recessed) or free standing.
3. Do not place heavy objects on top of the unit.
4. Do not place the unit in a moist place or display in direct sunlight.
5. Do not place the unit next to a major appliance that emits large amounts of heat, such as a dishwasher, microwave, toaster oven, oven or barbecue, etc.
6. Do not plug unit into the same outlet as a refrigerator or microwave.
7. The unit's cooling system operates efficiently with an ambient temperature of less than 90°F when freestanding and 85°F when built-in.
8. Do not install in a garage or basement.
9. Gently place/slide the racks in the wine cellar.
10. Determine the best temperature setting to use.
11. Place bottles inside the cooler.
12. Plug the power cord into a standard electrical outlet.
13. Limit the frequency of opening the door to conserve energy and maintain proper storage temperature.

Important: When using the wine cellar for the first time, allow at least 24 hours for the internal temperature to adjust properly, Make sure there are at least 3 to 5 bottles in the unit.

ALWAYS REMOVE ALL BOTTLES BEFORE MOVING THE WINE CELLAR

TEMPERATURE CONTROL

Important note: In order to operate efficiently, this product should be in an environment with an ambient temperature greater than 50°F and less than 90°F when freestanding or 85°F when built-in.

Temperature indication:

On the control panel, you will find two LED indicators: The right shows the temperature for the upper red wine zone and left shows the temperature for the lower white wine zone. When the cabinet temperature is too low the LED will display "LL". When the temperature is too high it will display "HH". The "ER" display shows when there has been a power disruption.

Temperature preset:

For your convenience, the wine cellar is programmed at storing temperature. The temperature pre-set by the manufacturer is 55°F (13°C). When it is pre-set, the upper section temperature is higher than the lower section accordingly. Five seconds after setup, the LED will show the actual cabinet temperature.

Setting the temperature control (manually):

You can manually adjust the temperature of the lower zone and the temperature of the upper zone will adjust accordingly. Simply press the (-) button on the control panel to decrease the temperature and the (+) button to increase the temperature inside the wine cellar. The temperature range is from 48°F (9°C) to 65°F (18°C).

WINE RACK REMOVAL / INSTALLATION

For Wood Racks:

To prevent damaging the door gasket, make sure to have the door all the way opened when pulling shelves out of the rail compartment.

To remove a rack from the cabinet:

1. Remove any bottles stored on the racks.
2. Grasp the end of the rack, and gently slide it until it stops, then lift the rack and take it out. (See figure 1)

To insert a rack in the cabinet:

1. Using a right angle engagement on both sides, gently push the rack into the cabinet until it stops.
2. Before reloading the rack, ensure proper operation of the travel stops in the left and right track rails by pulling the rack out gently until it completely stops.

NOTE:

1. The bottom rack can not be removed. (See figure 2)
2. When opening door for the first time, please remove the support board on the left bottom bracket. (See figure 2)

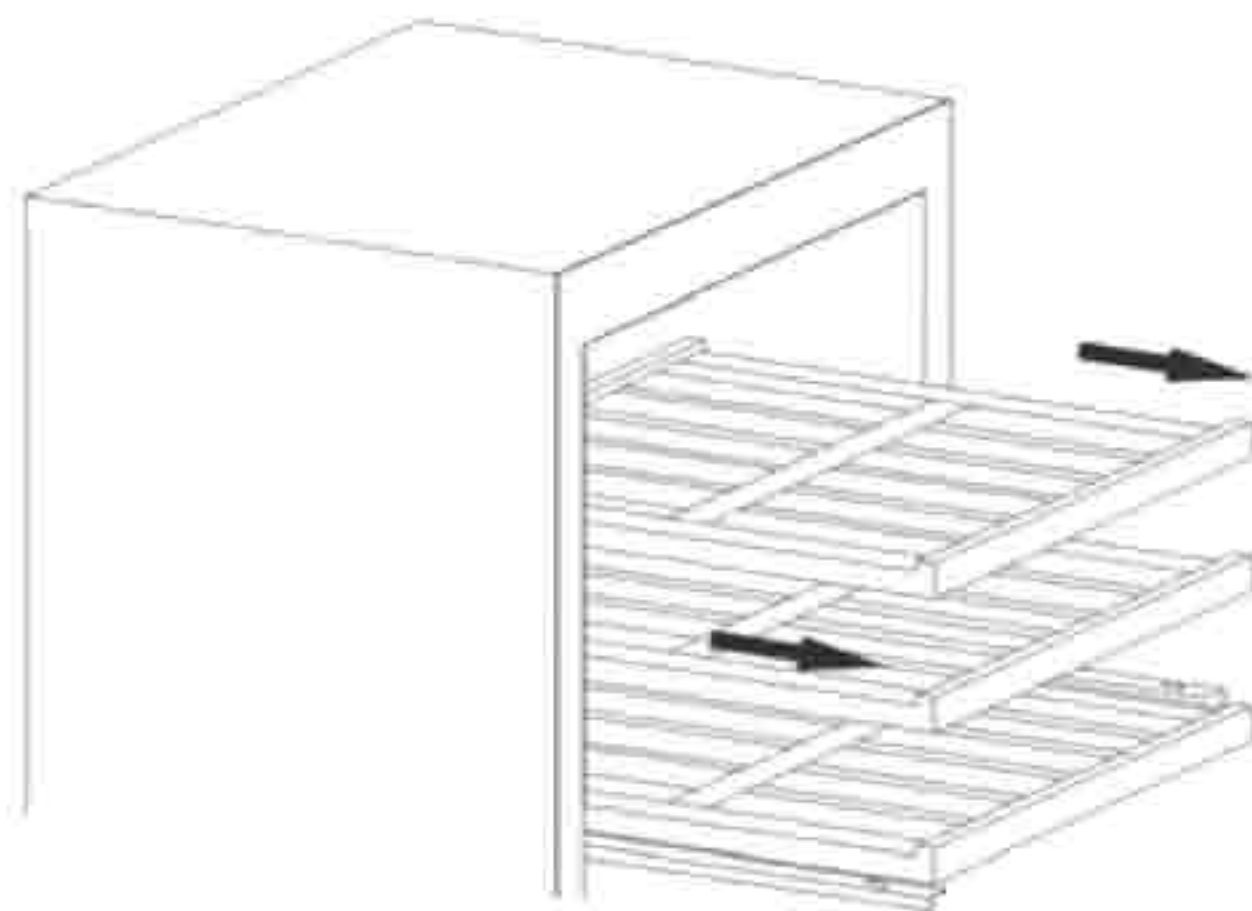


Figure 1

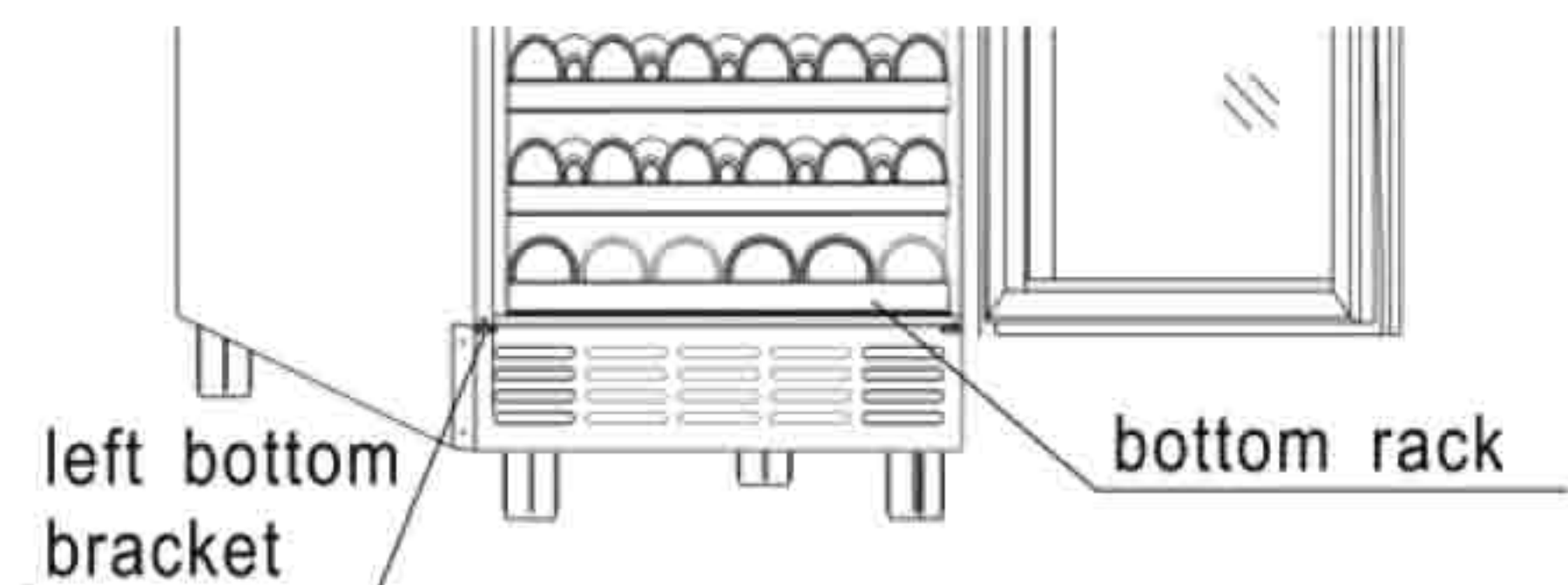


Figure 2

For Sliding Wood and Metal Racks:

To prevent damaging the door gasket, make sure to have the door all the way opened when pulling shelves out of the rail compartment.

To remove a rack from the cabinet:

1. Remove any bottles stored on the racks.
2. Pull the rack out flatly and press the button in each side. (See figure 1)

To insert a rack in the cabinet:

1. Gently push the rack into sliders. (See figure 2)
2. Side buttons on rack will click when rack is in place.

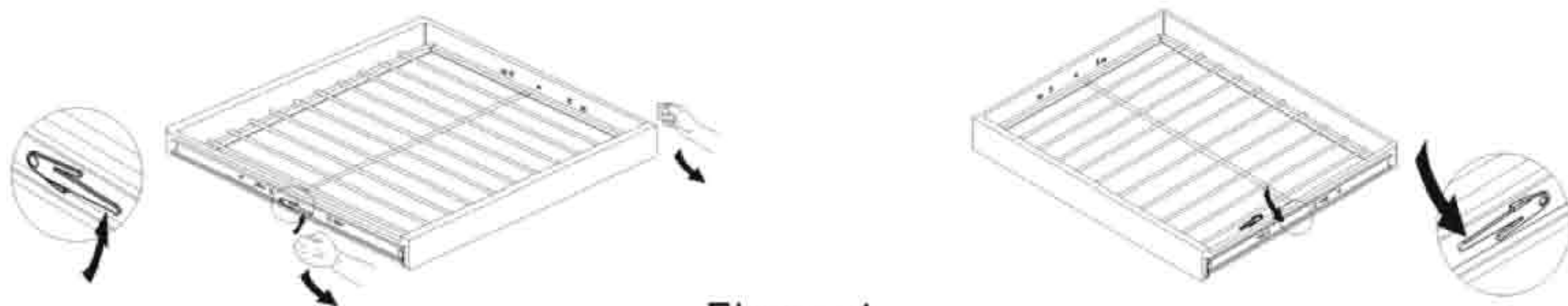


Figure 1



Figure 2

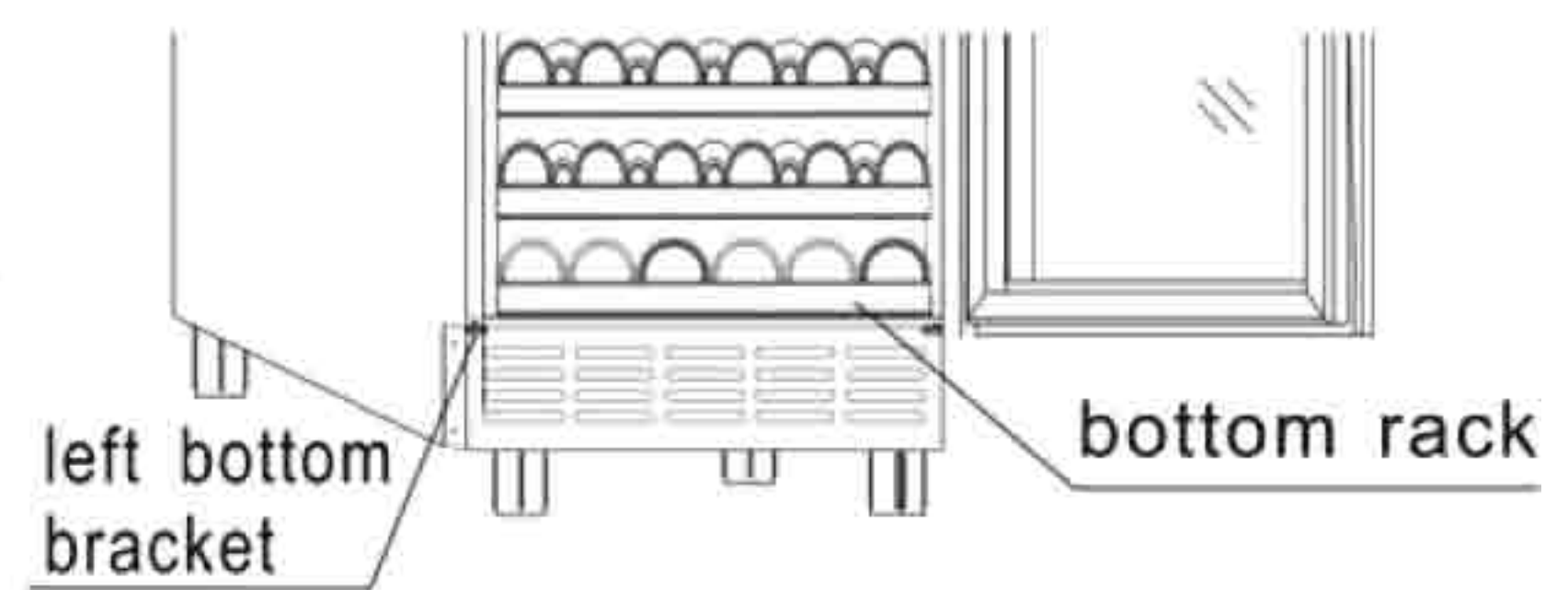


Figure 3

NOTE:

1. When opening door for the first time, please remove the support board on the left bottom bracket. (See figure 3)

HANDLE INSTALLATION

Each cellar comes with a handle, but for convenient transportation, the manufacture does not install it prior to shipping. Upon receipt and unpacking you should install the handle. You will require only a flat screwdriver to install the parts provided with the cellar.

1. Put on the handle on the door. (See figure 4)
2. Tighten screws from back to fix it. (See figure 5)

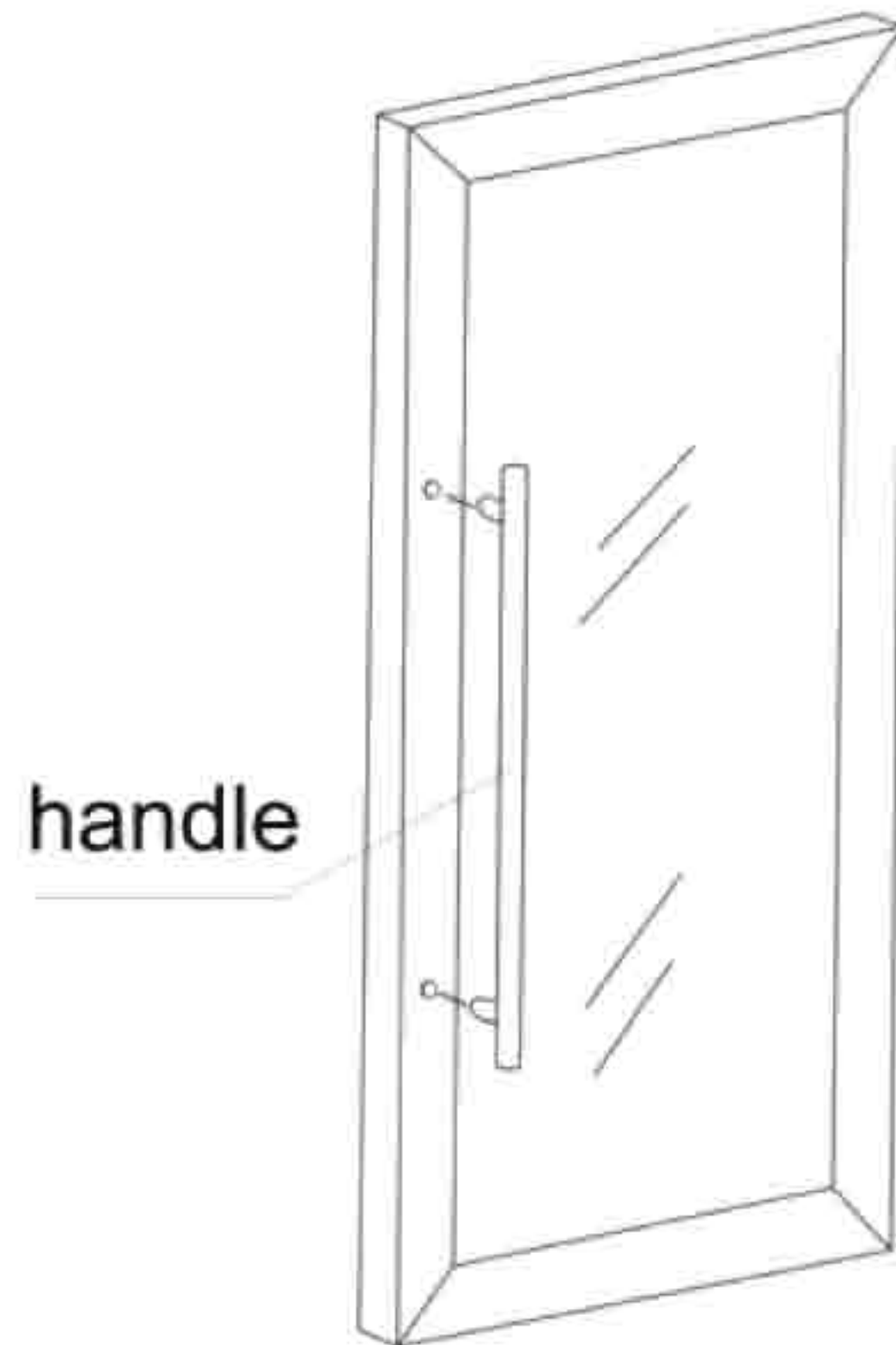


Figure 4

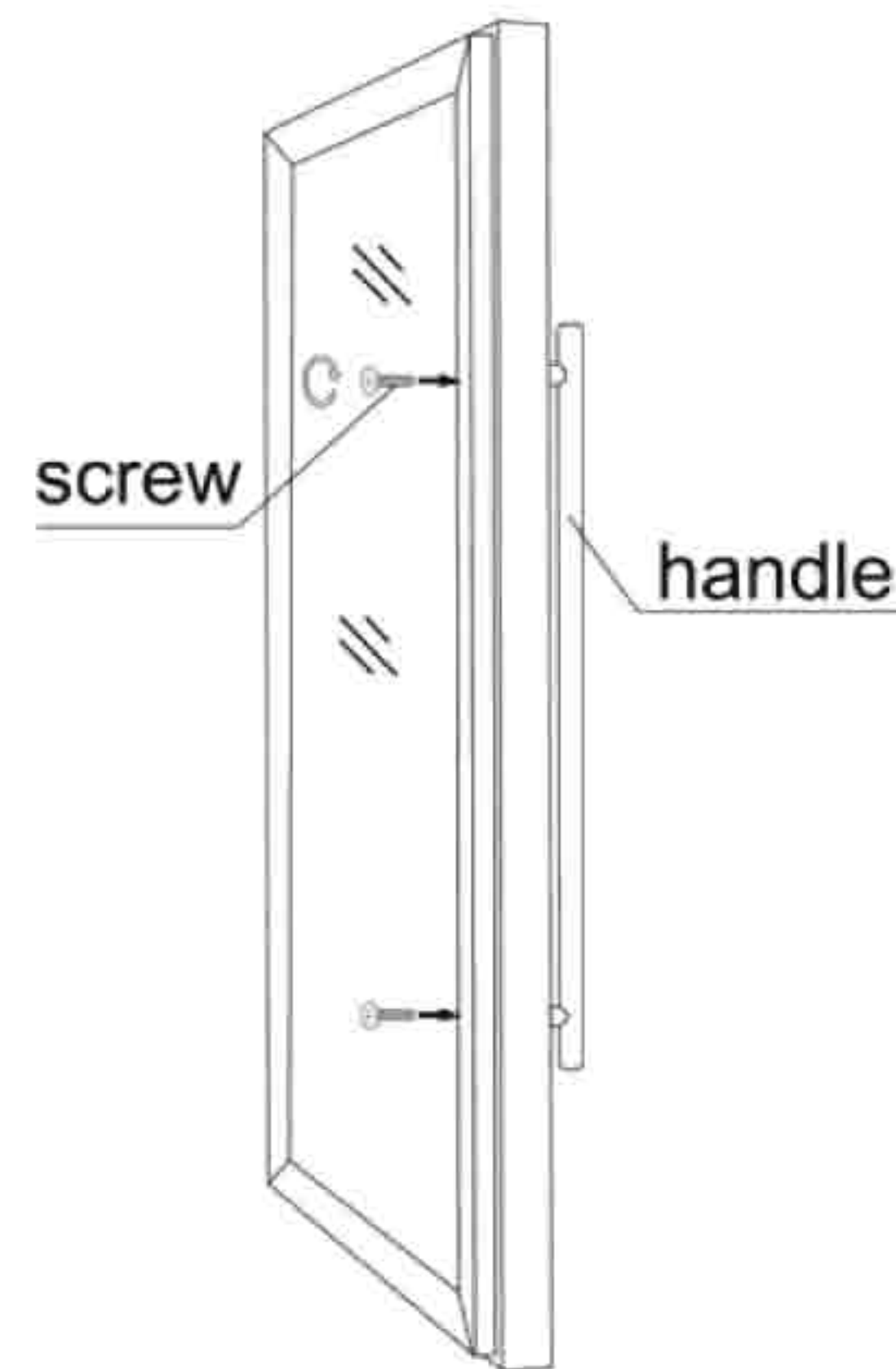


Figure 5

CLEANING AND CARE

- Always unplug the wine cellar before cleaning.
- Do not use benzene, scrubbing brushes or chemical cleaners as these will damage the unit.
- Use only a mild, nonabrasive cleanser to clean the exterior of the cabinet.
- Clean the stainless steel door and handle by wiping with a warm water and baking soda solution. The solution should be about 2 tablespoons of baking soda to a quart of water.
- Wash the racks with a mild detergent solution.
- Always dry all the parts with a clean dry cloth before plugging the wine cellar back into the receptacle.

TROUBLESHOOTING

SYMPTOM	POSSIBLE CAUSE
Vibrations	<ul style="list-style-type: none"> • Check to make sure the wine cellar is on a level surface.
Door will not close properly.	<ul style="list-style-type: none"> • The wine cellar is not on a level surface. • The racks are out of position. • A bottle in the cellar is too long.
Unit does not operate—does not have power	<ul style="list-style-type: none"> • Check that unit is plugged into the wall socket. • Make sure the wall socket has power. If outlet is controlled by a wall switch, make sure switch is set to on. Test wall socket functionality by testing another electrical appliance in the power socket.
Inside temperature does not seem correct	<ul style="list-style-type: none"> • Make sure the cooling vents are not obstructed. • The room may be too hot. If the ambient temperature is 90°F (32°C) or higher, the unit can have difficulty chilling adequately for white wine settings. • When using the unit for the first time, it can take up to 24 hours to reach the desired temperature.
Power is ON but the unit will not cool	<ul style="list-style-type: none"> • Make sure there are at least 3 to 5 bottles in the unit. Allow at least 24 hours for the internal temperature to adjust. • If the room temperature is above 90°F (32°C), the unit will not get below 51°F (11°C). Humidity does not affect the cooling ability of the unit. • To achieve accurate temperature control, the unit should not be used or operated in any of the following locations: <ul style="list-style-type: none"> ○ In a sunny place ○ In a place with poor air circulation such as a garage or in a cabinet or closet ○ Near another heat-producing appliance such as a dishwasher, oven or refrigerator ○ With an outlet shared with a refrigerator, as the refrigerator will drain power from the wine cellar. • Make sure the cooling vents are not obstructed.
Note	<ul style="list-style-type: none"> • The unit can be manually set using the + and - symbols. • Temperature range is 48°F (9°C) to 65°F (18°C).

TERMS OF SALE & WARRANTY

Vinotemp International ("Seller") and the person or entity that acquires these goods from Seller ("Purchaser") hereby fully agree to the following terms and conditions of the sale: Shipping fees are the responsibility of the Purchaser whether freight prepaid or freight collect. Seller assumes no responsibility for the goods sold to the Purchaser once the goods have left the Seller's premises, including, but not limited to, late delivery by the moving carrier, or for events caused by any difficulty carrier incurs in attempting to fit the goods into the Purchaser's place of business or residence due to the size of the goods or otherwise. Purchaser assumes all responsibility for delivery, payment of freight, access, measurement, installation, hook-up, wiring, moving and storage of the goods. The transportation of all goods is subject to the terms and conditions which the moving carrier imposes on Purchaser including, but not limited to, additional charges imposed per flight of stairs, and/or additional charges resulting from the carrier's inability to safely and/or adequately use the building elevator to lift the goods to an upper floor. Any claim for damages incurred during shipment by the carrier of the goods are insured and handled directly with the carrier. Any damages due to manufacture defects will be handled directly with Vinotemp International, subject to the limited warranty.

All sales are final, and unless authorized in writing by the Seller, Purchaser may not return the goods, under any circumstance. If Purchaser refuses to accept the goods, under any circumstance, the Purchaser is liable for the return and cost of freight both ways, and if Seller does take back the goods, there will be a restocking charge that is 35% of the purchase price of the goods. Purchaser must notify Seller of non-conforming goods within four days of delivery, after which time all goods are deemed accepted.

If Purchaser tenders payment with a check that has insufficient funds (NSF), or stops payment on a check or credit card for any reason, Purchaser agrees to pay for all costs associated with the Seller's connection or litigation of such a claim, including without limitation extra damages, court costs and attorneys' fees. Finance charges begin the date of invoice. Collection fees plus NSF fee of \$50 will be added to your invoice, which you agree to promptly pay. Title to the goods does not pass until payment is received in full by Seller and Seller retains a security interest in the goods until they are paid for in full.

LIMITED WARRANTY: Seller warrants that the goods will be free of defects in materials and workmanship as follows: For the metal cabinet wine, beverage, refrigerator and freezer units: parts and labor for cooling system and cabinetry for a period of 12 (twelve) months from date of sale, removal and re-installation of unit is not included in warranted labor. For a scratch and dent or refurbished unit, warranty is 3 months from your dated invoice (parts for function only, not cosmetic). There is no warranty on parts purchased separately. Purchaser's exclusive remedy is limited, at Seller's option; to repair or replace defective part[s] with either new or factory reconditioned part[s]. Purchaser is responsible for shipping the unit pre-paid to designated facility and Seller will pay return shipping charges in the continental United States for items repaired under warranty within 12 (twelve) months from date of sale. Improper placement of the unit will void the warranty. This limited warranty does not cover damage due to such things as accident, misuse, abuse, mishandling, neglect, acts of God, fires, earthquakes, floods, high winds, government, war, riot or labor trouble, strikes, lockouts, delay of carrier, unauthorized repair, or any other cause beyond the control of the Seller, whether similar or dissimilar to the foregoing. Seller is not responsible for any damages caused to Seller's property resulting from the good. This limited warranty applies only inside the Continental US. (Alaska, Puerto Rico and Hawaii are not warranted).

Purchaser understands and acknowledges that the goods sold here are wine cellars or other similar units which house wine. Purchaser assumes all risk of using these units, including risk of spoilage, humidity variations, temperature variations, leaks, fire, water damage, mold, mildew, dryness and similar and any other perils that might occur.

Seller is not responsible for incidental or consequential damages, and there are no warranties, expressed or implied, which extend beyond the Limited Warranty described above. The implied warranties of merchantability and of fitness for a particular purpose are hereby expressly disclaimed. Some states do not allow the exclusion of incidental or consequential damages, or a waiver of the implied warranties of fitness and/or merchantability, so the above limitations may not apply to you. This warranty gives you specific legal rights and you may also have other rights which vary from state to state.

In the event of any dispute between Seller and Purchaser arising out of or relating to these terms and conditions or to the goods sold generally, Purchaser must first file a written claim with Seller within ten days of the occurrence giving rise to the claim and wait an additional thirty days for a response before initiating any legal action. The sale and all terms are subject to California law. Any legal proceeding arising out of or relating to these terms and conditions or to the goods sold generally shall be brought solely and exclusively in the County of Los Angeles. In no event may Purchaser initiate any legal proceeding more than six months after the occurrence of the event giving rise to the dispute.

The above terms and conditions are the only ones governing this transaction and Seller makes no oral representations of any kind. These Terms and Conditions can only be modified in writing, signed by both Purchaser and Seller. 04/08



SERVICE & IMPORTANT NOTICE

Upon receipt and inspection of unit, the supply cord must be replaced if it is damaged. Contact our customer service at 1-800-777-8466 or info@vinotemp.com.

The Manufacturer has a policy of continuous improvement on its products and reserves the right to change materials and specifications without notice.

WARNING

**Please do not place the unit within reach of children.
For adult use only.**

Contact **info@vinotemp.com** with any questions or visit:

www.vinotemp.com



17621 S. Susana Road
Rancho Dominguez, CA 90221
www.vinotemp.com

Vinotemp is a registered trademark of Vinotemp International. All products, features, and services are subject to change without notice. We cannot guarantee the accuracy of the contents of this document. We disclaim liability for errors, omissions, or future changes.

© 2008 Vinotemp International. All rights reserved.

Free Manuals Download Website

<http://myh66.com>

<http://usermanuals.us>

<http://www.somanuals.com>

<http://www.4manuals.cc>

<http://www.manual-lib.com>

<http://www.404manual.com>

<http://www.luxmanual.com>

<http://aubethermostatmanual.com>

Golf course search by state

<http://golfingnear.com>

Email search by domain

<http://emailbydomain.com>

Auto manuals search

<http://auto.somanuals.com>

TV manuals search

<http://tv.somanuals.com>