



21- Bottle Wine Cellar

MODEL: VT-21TEDS-2Z

INSTRUCTION MANUAL

Please read carefully and follow all safety rules
and operating instructions.

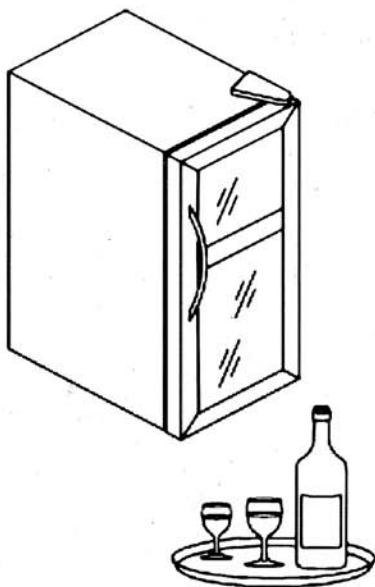
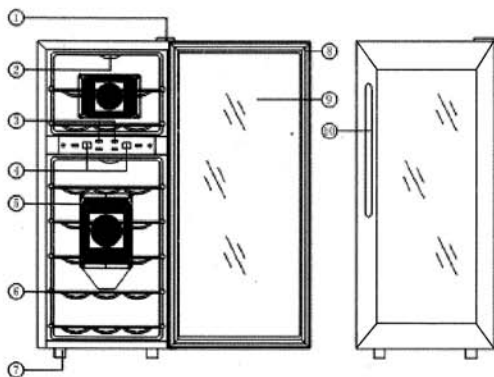


Table of Contents

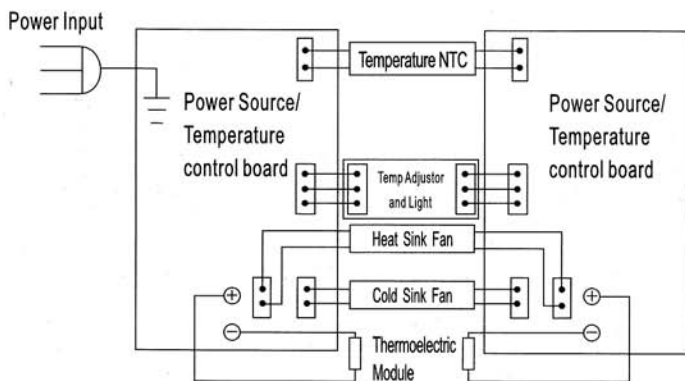
Cabinet and Circuit Diagram	page 2
Technical Data	page 3
Important Safety Instructions	page 4
Installation Instructions	page 5
Electrical Connection	page 6
Operating Your Wine Cellar	page 7
Care and Maintenance	page 8
Troubleshooting Guide	page 9
Limited Warranty	page 10

Cabinet Diagram



- | | |
|--------------------------|--------------|
| 1.Hinge | 6.Shelf |
| 2.Light | 7.Foot |
| 3.Temperature Controller | 8.Door Frame |
| 4.Temperature Display | 9.Glass |
| 5.Fan Mask | 10.Handle |

Circuit Diagram



Technical Data

Model no.	VT-21TEDS-2Z
Capacity	21 Bottles
Voltage	110V AC
Current	2A (77°F/25°C))
Protection class	I
Frequency	60HZ
Climate class	SN;N
Input power	140W (77°F/25°C))
Power Consumption KW.h/24h	1.2 (59°F/15°C))
Temperature Control Range	Up Zone 44-66°F(7-18°C) Down Zone 50-66°F(10-18°C)
Net weight	46.3 Lbs (21 Kgs)
Gross weight	50.2 Lbs (22.8Kgs)
Unit size (W×H×D)	13.4"×32.3"×20.3" 340x820x515mm
Packing size (W×H×D)	15.0"×33.4"×21.7" 382x852x550mm

IMPORTANT SAFETY INSTRUCTIONS

⚡ WARNING ⚡

To reduce the risk of fire, electrical shock or injury when using your appliance, follow these basic precautions;

- Read all instructions before using the wine cellar.
- **DANGER or WARNING:** Risk of child entrapment.
- Junked or abandoned appliances are dangerous...even if they "just sit in the garage a few days."
- **Before you throw away your old wine cellar:** Take off the door, leave the shelves in place so that children may not easily climb inside.
- Never allow children to operate, play with, or crawl inside the appliance.
- Never clean appliance parts with flammable fluids. The fumes can create a fire hazard or explosion.
- Do not store or use gasoline or any other flammable vapors and liquids in the vicinity of this or any other appliance. The fumes can create a fire hazard or explosion.

-Save these instructions-

INSTALLATION INSTRUCTIONS

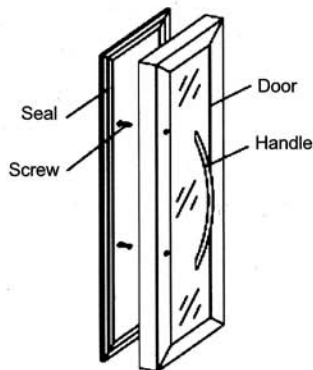
Before using your wine cellar

- Remove the exterior and interior packing
- Check to be sure the following parts are included:
 - ◆ For VT-21TEDS-2Z, 6 Slide out shelves.
 - ◆ 1 Instruction manual.
- Before connecting the appliance to the power source, let it stand upright for approximately 2 hours. This will reduce the possibility of a malfunction in the cooling system from handling during transportation.
- Clean the interior surface with lukewarm water using a soft cloth.

INSTALLING YOUR WINE CELLAR

- Place your appliance on a floor that is strong enough to support the appliance when it is fully loaded. To level your appliance, adjust the front legs at the bottom of the appliance.
- Installing the handle:

The wine cooler comes with 1 stainless steel handle. To install, simply screw it to the door with the supplied screws.



- For proper installation, keep away from direct sunlight and sources of heat (stove, heater, radiator, etc.). Direct sunlight may affect the coating and heat sources may increase electrical consumption. Extreme cold or hot ambient temperatures may also cause the appliances not to perform properly.
- Not designed for placement in garage or basement. Designed for use inside the home.

ELECTRICAL CONNECTION

⚡ WARNING ⚡

Improper use of the grounded plug can result in the risk of electrical shock. If the power cord is damaged, have it replaced by an authorized products service center.

This unit should be properly grounded for your safety. The power cord of this unit is equipped with a 3-pin plug which mates with 3-pin wall outlets to minimize the possibility of electrical shock. Do not under any circumstances cut or remove the ground wire from the power cord supplied.

Don't use extension cords.

This unit requires a standard 110V-60HZ electrical outlet with 3-pin plug.

The cord should be secured behind the wine cellar and not exposed or dangling to prevent accidental injury.

IMPORTANT SAFEGUARDS

Do not store food in a wine cellar, as interior temperature may not get cool enough to prevent spoilage.

OPERATING YOUR WINE CELLAR

It is recommended that you install the wine cellar in a place where the ambient temperature is between 50°F and 80°F. If the ambient temperature is above or below recommended temperature, the performance of the unit may be affected. For example, placing in extreme cold or hot conditions may cause interior temperature to fluctuate. The range of 44-66°F and 50-66°F may not be reached. The temperature may fluctuate depending on whether or not the interior light is on or off or whether the bottles are located on the upper, middle or lower section.

How to use the buttons on the Display Panel:

You can set the temperature as your desire by pressing the button. There are two buttons on the panel “▲” and “▼” to adjust the temperature by 1°F between 44-66°F and 50-66 °F. You can turn the interior light on or off by pressing the “A” button.

CARE AND MAINTENANCE

Cleaning your wine cellar

- Unplug the wine cellar and remove the bottles and shelves.
- Wash the inside with warm water and baking soda solution. The solution should be about 2 tablespoons of baking soda to a quart of water.
- The outside of the wine cellar should be cleaned with mild detergent and warm water.

MAINTENANCE OF YOUR WINE CELLAR

Moving your wine cellar

- Remove all the bottles and shelves.
- Securely tape down all loose items inside your wine cellar.
- Turn the leveling legs up to the base to avoid damage.
- Tape the door shut.
- Be sure the wine cellar stays in the upright position during transportation.

PROBLEMS WITH YOUR WINE CELLAR

You can solve many common wine cellar problems easily, saving you the cost of a possible service call. Try the suggestion below to see if you can solve the problem before emailing Vinotemp at info@vinotemp.com

TROUBLESHOOTING GUIDE

PROBLEM	POSSIBLE CAUSE
Wine cellar does not operate	① Not plugged in ② Using wrong voltage ③The circuit breaker tripped ④ Blown fuse.
Wine cellar is not cold enough	① Check the temperature control setting, external environment may require a cooler setting. ②The door is open too often. ③The door is not closed completely. ④The door seal does not seal properly. ⑤The wine cellar does not have the correct clearance at the back and two sides.
The light does not work	Call the service center.
Vibrations	Check to see that the wine cellar is level.
The wine cellar seems to make too much noise	①The wine cellar is not level. ②Check the fans inside the cabinet and at the back of the unit
The door will not close properly	①The wine cellar is not level. ②The doors were reversed and not properly installed. ③The seal is weak. ④The shelves are out of position.
Temperature LED does not display	①Main control board does not work. ②Temperature controller problem. ③There is some problem with the plug(no power supply)
Temperature LED display error	Temperature sensor is cut off.
Buttons are not functional	Temperature controller panel is damaged.

LIMITED WARRANTY

This limited warranty does not cover damage due to such things as accident, misuse, abuse, mishandling, neglect, acts of God, fires, earthquakes, floods, high winds, government, war, riot or labor trouble, strikes, lockouts, delay of carrier, unauthorized repair, or any other cause beyond the control of the Seller, whether similar or dissimilar to the foregoing. Seller is not responsible for any damages caused to Seller's property resulting from the good.

Purchaser understands and acknowledges that the goods sold here are wine cellars, which houses wine. Purchaser assumes all risk of using these units, including risk of spoilage, humidity variations, temperature variations, leaks, fire, water damage, mold, mildew, dryness and similar and any other perils that might occur.

SERVICE & IMPORTANT NOTICE

Upon receipt and inspection of the unit, if supplied core is damaged, it must be replaced. For any additional information or questions, please contact Vinotemp at info@vinotemp.com.

WARNING: Please do not use where children can touch the unit, nor let children use the unit by themselves.



Free Manuals Download Website

<http://myh66.com>

<http://usermanuals.us>

<http://www.somanuals.com>

<http://www.4manuals.cc>

<http://www.manual-lib.com>

<http://www.404manual.com>

<http://www.luxmanual.com>

<http://aubethermostatmanual.com>

Golf course search by state

<http://golfingnear.com>

Email search by domain

<http://emailbydomain.com>

Auto manuals search

<http://auto.somanuals.com>

TV manuals search

<http://tv.somanuals.com>