

# Vinotemp®

A PROUD HERITAGE OF EXPERIENCE & QUALITY



## Wine Cooler

VT-6TED-WB

OWNER'S MANUAL

*Vinotemp*

WWW.VINOTEMP.COM

Download from [www.Somanuals.com](http://www.Somanuals.com). All Manuals Search And Download.



## YOUR WINE COOLER

This unit can be used for Storage and/or Service. The unit has a glass door to elegantly display your wine.

## SERVING WINES

Storing wines at the proper temperature is important. To preserve them as long as possible wine should be stored at approximately 55° Fahrenheit. However, the chart below suggests the optimal drinking temperature for the different styles of wine.

°C	°F	Wine Style
19	66	Armagnac, Brandy, Cognac
18	64.5	Full Bodied Red wines, Shiraz
17	62	Tawny Port
15	59	Medium Bodied Red Wines
14	57	Amontillado Sherry
13	55.5	Light Bodied Red Wines
12	53.5	Full Bodied White Wines
11	52	Medium Bodied White Wines
10	50	Rosé, Light Bodied White Wines
9	48	Vintage Sparkling
8	53.5	Fino Sherry
7	44.5	Non Vintage Sparkling

# TABLE OF CONTENTS

IMPORTANT SAFETY INSTRUCTIONS	5
CABINET SPECIFICATIONS	6
ELECTRICAL CONNECTION	8
INSTALLATION INSTRUCTIONS	8
OPERATING YOUR WINE COOLER	10
CARE AND MAINTENANCE	11
MOVING YOUR WINE CELLAR	12
PROBLEMS WITH YOUR WINE COOLER	13
TERMS OF SALE AND WARRANTY	14

# IMPORTANT SAFETY INSTRUCTIONS

## READ ALL INSTRUCTIONS BEFORE USING THIS WINE COOLER

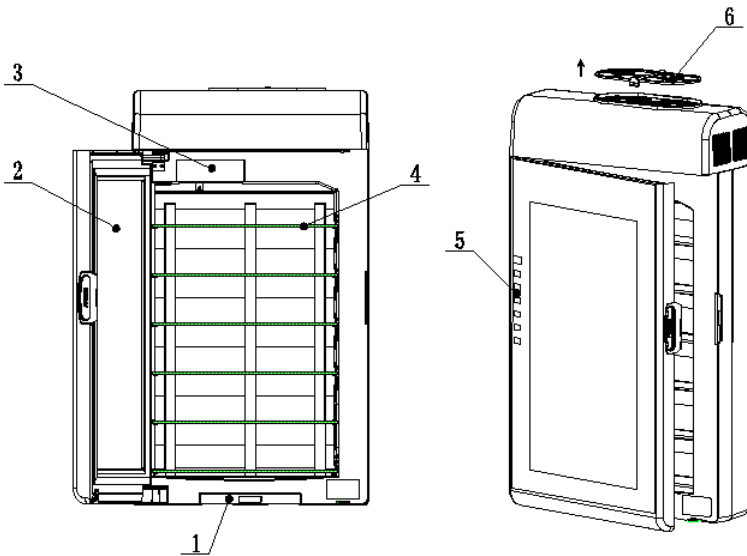
### -Save these instructions-

To reduce the risk of fire, electrical shock, or injury when using your appliance, follow these basic precautions:

- This wine cellar is for indoor, household use only. Any other use will void the warranty.
- Do not use if the supply cord is damaged. If damaged, it must be replaced by the manufacturer or a similarly qualified person in order to avoid hazard.
- Never lift or carry the wine cellar by the cord.
- Keep the cord away from heated surfaces.
- For stability, the appliance must be placed on a solid, flat surface. It should not be laid on any soft material.
- Close the door gently. Do not physically abuse or force the wine cooler to open or shut.
- Do not swing on the door or climb on the cabinet.
- Do not place heavy objects at the top of the appliance.
- When it is open, do not hang any heavy objects on the door that drag down the door.
- Ensure the cellar is always unplugged before cleaning.
- Keep appliance away from any heat source or direct sunlight.
- Ensure that you dispose of the packing material carefully and appropriately, as well as your old wine cooler (if applicable).
- Do not store food in wine cellar as the interior temperature may not be cool enough to prevent spoilage.
- Children should be supervised to ensure that they do not play with the appliance.

**WARNING:** Risk of child entrapment. Junked or abandoned coolers are still dangerous. **Before you throw away an old wine cooler:** Take off the door and leave the shelves in place so that children may not easily climb inside, or take other action to ensure the cellar is harmless.

## CABINET DIAGRAM



- 1. Drip Tray
- 2. Door
- 3. Fan Cover

- 4. Shelf
- 5. Control Panel
- 6. Dustproof Cover

## CABINET SPECIFICATIONS

Model No.	VT-6TED-WB
Capacity	16 Liters/6 Bottles
Voltage	110-120V
Current	1A
Frequency	60Hz
Input Power	72W
Climate Class	N/SN
Power Consumption	.85kW · h/24h
Temperature Range	45-68°F
Ambient Temp. Range	50-80°F
Approx. Net Weight	28.6 LBS (13 KG)
Dimensions (WxDxH)	17.9"x6.7"x30.2"

## ELECTRICAL CONNECTION

For your protection, this unit is equipped with a 2-conductor cord set that has a molded 2-pin plug, and should be used in combination with a properly connected grounding-type outlet.

It is not recommended to use this cellar with an extension cord or power board. Please ensure that the appliance is plugged directly into the electrical outlet.

## INSTALLATION NOTES

### Before Using Your Wine Cooler:

- Do not place the wine cooler under direct sunlight, in a hot area (i.e. above 80°F) or in a humid place.
- Make sure your wine cooler is resting on a flat surface so that there is no risk of bottles being able to tip forward.
- Remove all exterior and interior packaging, including protective foam on the door panels. Remember that children are particularly vulnerable to packaging materials and old appliances so discard materials with this in mind.
- Your wine cooler needs adequate space around the contents inside for it to function properly. It is very important that you give it 2 inches of space between the wine bottles and the inner wall surfaces, behind, and to the sides. This is necessary so that your wine cooler has adequate space for ventilation.

### Installation Instructions

- Installation instructions are located on the back of the wall mount paper.



## Cooling Speed

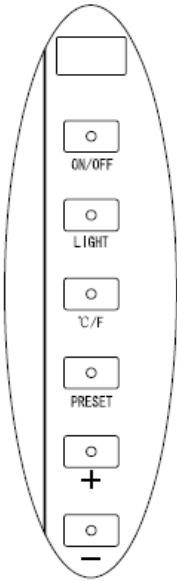
- The interior temperature of your wine cooler can reach its lowest temperature (about 45°F) in about three hours with nothing loaded and in 77°F ambient temperature.

## Storing Your Wines

- Allow 1-2 hours for the inside cabinet to properly cool before storing your wines.

**NOTE:** It is recommended that you install the wine cellar in a place where the ambient temperature is between 50-80°F. If the ambient temperature is above or below recommended temperature, the performance of the unit may be affected. Placing in extreme cold or hot conditions may cause interior temperature to fluctuate and the internal temperature range of 45-68°F may not be reached. Not intended for garage or basement installs. The temperature may fluctuate depending on whether or not the interior light is on or off, or whether the bottles are located on the upper/middle or lower section. Close the cellar door immediately after putting in any items so the inside temperature will not rise dramatically.

# OPERATING YOUR WINE COOLER



## Using the Buttons on the Display Panel

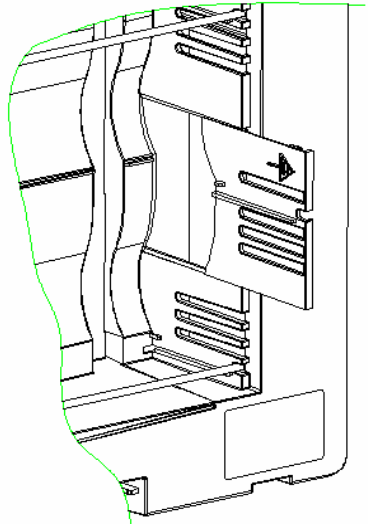
- **ON/OFF:** Press to turn cooler on or off when in the default program display.
- **LIGHT:** Controls the LED display. Press for 3 seconds to display the temperature inside the cooler. It will flash the number for 4 seconds and then return to the setting temperature display.
- **C/°F:** Press to switch the display temperature between °C (Celsius) and °F (Fahrenheit). The default display model is Celsius.
- **PRESET:** Sets different suitable temperature for beer (44.6°F), champagne (46.4°F), white wine (50°F), and red wine (55.4°F) circularly.
- **+** : Use to increase the temperature by 1°F increments. Hold this button for 2 or more seconds to increase the temperature continually. The temperature range is 45-68°F.
- **-** : Use to decrease the temperature 1 degree by 1°F increments. Hold this button for 2 or more seconds to decrease the temperature continually.

## Note:

- The current temperature and setting temperature are displayed on the blue LED digital screen.
- When the current central temperature reaches the set temperature, the wine cooler power will decrease to half.
- The unit will shut off when the temperature is below 33.8°F.
- The controller has a memory function; if the power shuts off, when the current is reconnected again and all parameters are at the same setting as current is cut off last time.

## CARE AND MAINTENANCE

- Unplug the power source before cleaning your wine cooler.
- Do not store chemicals in or near your wine cooler. Be especially mindful that the rear of your wine cooler is the hottest part.
- Clean the dust on the anti-dust net of ventilation inlet regularly to ensure proper ventilation. Detach the inserting board to clean the dust in ventilation pipe.
- Drain the condensed water inside the box once every week.
- Arrange the wine bottles with the bottoms of wine bottles 5cm away from the ventilation outlet.
- Remember that your wine cooler can only cool wine bottles if the room's ambient temperature is not too low. If the ambient temperature drops below the setting you have selected to chill your wine to, the wine cooler will chill to match the ambient temperature. This can run the risk of freezing, so make sure you have taken a room's temperature range into account before you set your wine cooler up in one.
- Do not use hard brushes, soap or detergent to clean the inside cabinet. Simply wipe it with a dry, clean piece of cloth.
- Do not place any electrical appliance on top of your wine cooler.
- Do not try to force out the chrome shelves from your wine cooler. To remove the shelves, always pull them out gently, and be careful of obstructions particularly the gasket seals.
- Never close the door forcefully apart because the performance of the hinge may suffer.
- Never use oil to lubricate the hinge as oil may seep down and subject the rubber seal to cracking.
- If a power failure occurs, avoid opening the wine cooler door. Most power failures are corrected within a few hours and shouldn't affect the temperature in your wine cooler as long as you don't open the door too often. If the power is going to be off for a longer time, you should be careful that you don't expose your bottles to a dramatic warming as condensation or the chance of mold developing may occur.



## MOVING YOUR WINE CELLAR

- Always unplug the wine cellar.
- Always remove all bottles.
- Securely tape down all loose items (shelves) inside your appliance.
- Turn the leveling legs up to the base to avoid damage (counterclockwise).
- Tape the door shut.
- Be sure the wine cellar stays in the upright position during transportation
- Protect the outside of appliance with a blanket or similar item when moving as needed.

## PROBLEMS WITH YOUR WINE COOLER

You can solve many common wine cellar problems easily, saving you the cost of a possible service call. Try the suggestion below to see if you can solve the problem before contacting Vinotemp at [info@vinotemp.com](mailto:info@vinotemp.com).

### TROUBLESHOOTING GUIDE

Symptoms	Possible cause	Solutions
The wine cooler does not work	<ol style="list-style-type: none"> <li>1. No power supply</li> <li>2. Low voltage</li> <li>3. Fuse is broken</li> </ol>	<ol style="list-style-type: none"> <li>1. Make sure the wine cooler is plugged in or check circuit</li> <li>2. Ensure normal voltage</li> <li>3. Change fuse</li> </ol>
Wine cooler is not reaching the desired temperature	<ol style="list-style-type: none"> <li>1. The wine cooler is placed too close to a heat source</li> <li>2. Gasket seals are dirty</li> <li>3. Poor ventilation</li> <li>4. Fan is not working</li> <li>5. The door is opened too frequently, for a long period of time, or was not closed tightly</li> <li>6. Your wine cooler's running temperature maybe too high</li> </ol>	<ol style="list-style-type: none"> <li>1. Keep the wine cooler away from sunshine or other heat sources</li> <li>2. Clean the gasket seals</li> <li>3. Ensure that the wine cooler is well-ventilated and that the fans are unobstructed</li> <li>4. Ensure the plug is connected or you may need to have the fan changed</li> <li>5. Close the door tightly and do not open the door too frequently</li> <li>6. Check the temperature adjustor and set to a lower (cooler) temperature if needed</li> </ol>
Too cold	<ol style="list-style-type: none"> <li>1. Temperature setting is too low</li> </ol>	<ol style="list-style-type: none"> <li>1. Raise temperature setting</li> </ol>
Inside light flashes	<ol style="list-style-type: none"> <li>1. Ambient temperature is too low</li> </ol>	<ol style="list-style-type: none"> <li>1. Turn heating on in room or move your wine cooler to a warmer place</li> </ol>
Frost showing	<ol style="list-style-type: none"> <li>1. Set temperature is higher than inside</li> </ol>	<ol style="list-style-type: none"> <li>1. Adjust the temperature</li> </ol>
	<ol style="list-style-type: none"> <li>1. Too much humidity or the ambient temperature is too low</li> </ol>	<ol style="list-style-type: none"> <li>1. Unplug to defrost and plug in again after the frost thaws</li> </ol>

# TERMS OF SALE AND WARRANTY

Vinotemp International ("Seller") and the person or entity that acquires these goods from Seller ("Purchaser") hereby fully agree to the following terms and conditions of the sale: Shipping fees are the responsibility of the Purchaser whether freight prepaid or freight collect. Seller assumes no responsibility for the goods sold to the Purchaser once the goods have left the Seller's premises, including, but not limited to, late delivery, or for events caused by any difficulty carrier incurs in attempting to fit the goods into the Purchaser's place of business or residence. Purchaser assumes all responsibility for delivery, payment of freight, access, measurement, installation, hook-up, wiring, moving and storage of the goods. Transportation of all goods is subject to the terms and conditions which the moving carrier imposes on Purchaser including, but not limited to, additional charges imposed per flight of stairs. Any claim for damages incurred during shipment by the carrier of the goods are insured and handled directly with the carrier. Any damages due to manufacture defects will be handled directly with Vinotemp International, subject to the limited warranty.

All sales are final, and unless authorized in writing by the Seller, Purchaser may not return the goods, under any circumstance. If Purchaser refuses to accept the goods, under any circumstance, the Purchaser is liable for the return and cost of freight both ways, and if Seller does take back the goods, there will be a restocking charge that is 35% of the purchase price of the goods. Purchaser must notify Seller of non-conforming goods within four days of delivery, after which time all goods are deemed accepted. Finance charges begin the date of invoice. Title to the goods does not pass until payment is received in full by Seller and Seller retains a security interest in the goods until they are paid for in full.

**LIMITED WARRANTY:** Seller warrants that the goods will be free of defects in materials and workmanship as follows for Thermoelectric Units: Parts ninety days from the date of sale. Removal and re-installation of unit is not included in warranty. There is no warranty on parts purchased separately. Purchaser's exclusive remedy is limited, at Seller's option; to repair or replace defective part[s] with either new or factory reconditioned part[s]. Purchaser is responsible for shipping the unit pre-paid to designated facility and Seller will pay return shipping charges in the continental United States for items repaired under warranty within three months from date of sale. Improper placement of the unit will void the warranty. This limited warranty does not cover damage due to such things as accident, misuse, abuse, mishandling, neglect, acts of God, fires, earthquakes, floods, high winds, government, war, riot or labor trouble, strikes, lockouts, delay of carrier, unauthorized repair, or any other cause beyond the control of the Seller, whether similar or dissimilar to the foregoing. Seller is not responsible for any damages caused to Purchaser's property resulting from the goods. This limited warranty applies only inside the Contiguous US. (Alaska, Puerto Rico and Hawaii are not warranted.)

Purchaser understands and acknowledges that the goods sold here are wine cellars or other similar units. Purchaser assumes all risk of using these units, including risk of spoilage, humidity variations, temperature variations, leaks, fire, water damage, mold, mildew, dryness and similar and any other perils that might occur.

Seller is not responsible for incidental or consequential damages, and there are no warranties, expressed or implied, which extend beyond the Limited Warranty described above. The implied warranties of merchantability and of fitness for a particular purpose are hereby expressly disclaimed. Some states do not allow the exclusion of incidental or consequential damages, or a waiver of the implied warranties of fitness and/or merchantability, so the above limitations may not apply to you. This warranty gives you specific legal rights and you may also have other rights which vary state to state.

In the event of any dispute between Seller and Purchaser arising out of or relating to these terms and conditions or to the goods sold generally, Purchaser must first file a written claim with Seller within ten days of the occurrence giving rise to the claim and wait an additional thirty days for a response before initiating any legal action. The sale and all terms are subject to California law. Any legal proceeding arising out of or relating to these terms and conditions or to the goods sold generally shall be brought solely and exclusively in the County of Los Angeles. In no event may Purchaser initiate any legal proceeding more than six months after the occurrence of the event giving rise to the dispute.

The above terms and conditions are the only ones governing this transaction and Seller makes no oral representations of any kind. These Terms and Conditions can only be modified in writing, signed by both Purchaser and Seller. 2009



## SERVICE & IMPORTANT NOTICE

Upon receipt and inspection of unit, the supply cord must be replaced if it is damaged. Contact customer service at 1-800-777-8466 or info@vinotemp.com.

The manufacturer has a policy of continuous improvement on its products and reserves the right to change materials and specifications without notice.

### WARNING:

Please do not place the unit within reach of children.  
For adult use only.



3098825  
Conforms to UL Std. 250  
Certified to CSA Std. C22.2 No.63



17631 S. Susana Road  
Rancho Dominguez, CA 90221

**[www.vinotemp.com](http://www.vinotemp.com)**

Vinotemp is a registered trademark of Vinotemp International. All products, features, and services are subject to change without notice. We cannot guarantee the accuracy of the contents of this document. We disclaim liability for errors, omissions, or future changes.

© 2009 Vinotemp International. All rights reserved.



## Free Manuals Download Website

<http://myh66.com>

<http://usermanuals.us>

<http://www.somanuals.com>

<http://www.4manuals.cc>

<http://www.manual-lib.com>

<http://www.404manual.com>

<http://www.luxmanual.com>

<http://aubethermostatmanual.com>

Golf course search by state

<http://golfingnear.com>

Email search by domain

<http://emailbydomain.com>

Auto manuals search

<http://auto.somanuals.com>

TV manuals search

<http://tv.somanuals.com>