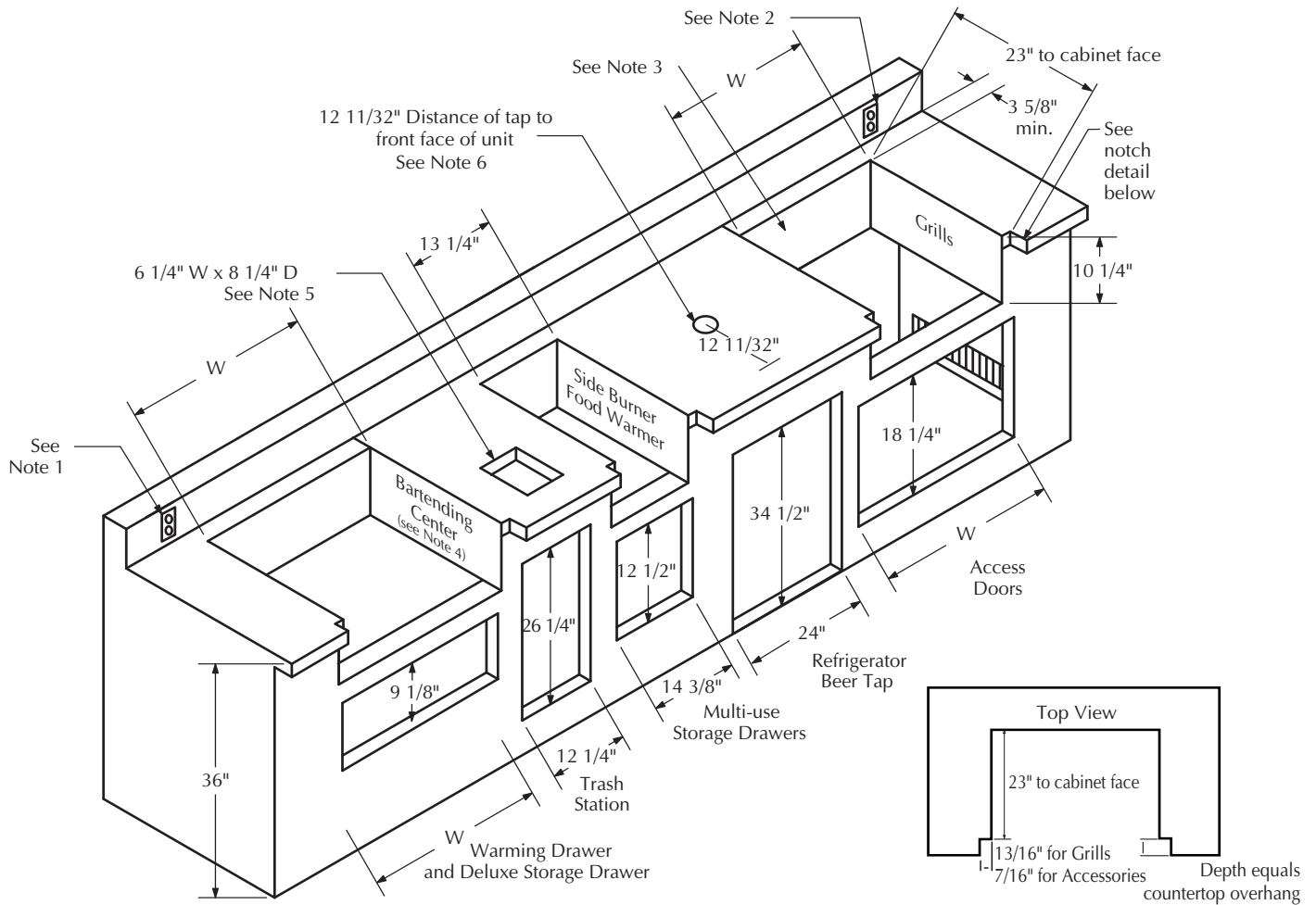




Luxury Outdoor Appliances

## Built-in Cutout Dimensions



### Built-in Cutout Dimensions

- Note 1:** Recommended electrical outlet for blender, appliance, etc.
- Note 2:** Recommended electrical outlet for rotisserie motor, light, etc.
- Note 3:** Combustible cabinets require insulated jackets for fire safety. Insulated jacket, depth = 24 1/2"; height = 11 1/4". Add 6 1/2" to grill cutout width.
- Note 4:** Ground drain recommended (models with sink require a single water supply connection).
- Note 5:** Prep/Waste Chute cutout is 6 1/4" W x 8 1/4" D. Front edge of cutout should be no more than 5" from front of island.
- Note 6:** Refrigerated base installations require 110v 15 amp electrical service.

### Cut-out width (Dimension W) for built-in Vintage products

#### Grills

VBQ-30 (W= 28 1/2")  
 VBQ-42 (W= 40 1/2")  
 VBQ-56 (W= 54 1/2")

#### Bartending Centers

VDT-14 (W= 13 1/4")  
 VDT-24 (W= 23 1/4")  
 VDT-30 (W= 28 1/2")

#### Access Doors

VD-21 (W= 18 1/4")  
 VD-30 (W= 27 1/4")  
 VD-42 (W= 39 1/4")

#### Warming Drawer and Deluxe Storage Drawer

VRWO36SS (W= 34 5/8")  
 VRWO30SS (W= 28 5/8")  
 VRWO27SS (W= 25 5/8")

Specifications are subject to change without notice.



[www.vintageluxuryappliances.com](http://www.vintageluxuryappliances.com) • 800-998-8966

## Free Manuals Download Website

<http://myh66.com>

<http://usermanuals.us>

<http://www.somanuals.com>

<http://www.4manuals.cc>

<http://www.manual-lib.com>

<http://www.404manual.com>

<http://www.luxmanual.com>

<http://aubethermostatmanual.com>

Golf course search by state

<http://golfingnear.com>

Email search by domain

<http://emailbydomain.com>

Auto manuals search

<http://auto.somanuals.com>

TV manuals search

<http://tv.somanuals.com>