



*Vintage*



*Vintage™ Professional 48" Built-in Refrigerator*



800-998-8966  
FOR A DEALER NEAR YOU

## Vintage™ Professional 48" Built-in Refrigerator

Experience elegant professional styling with superior performance in your kitchen with the **Vintage Professional 48" Built-in Stainless Side-by-Side Refrigerator**. Vintage's new side-by-side built-in refrigerator is a perfect addition to compliment your new professional kitchen. Keep your food fresh with Vintage's Climate Regulator System. It's simply the Best Temperature Management System you can buy. Easy-to-use "Soft Touch Dispenser" works with gentle pressure and includes a child lock. Our water filtration system delivers clean, great tasting water and ice through the door. Finally, a Secure-Close Door System is engineered with an advanced hinge system that automatically pulls the door shut.

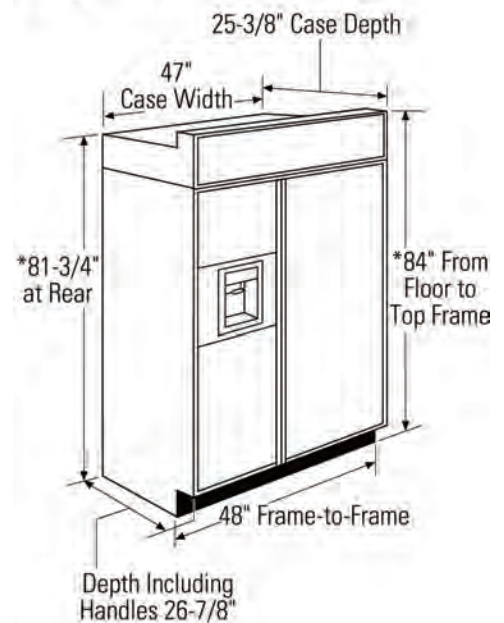
**The Vintage™ Professional 48" Built-in Refrigerator – Style and Performance Together For the First Time.**



### 48" Built-in Stainless Side-by-Side Refrigerator Features

- **Built-in Configuration** – Enjoy a true, built-in appearance with the flexibility of a flush design that blends into the decor.
- **Climate Regulator System** – The Best Temperature Management System You Can Buy!
- **Electronic Dispenser with Actual Temperature Display** – Located on the dispenser to provide easy access and electronic accuracy in controlling fresh food and freezer temperatures.
- **Soft-Touch Dispenser with Child Lock and Door Alarm** – Dispenses water and ice with gentle pressure, complete with safety and convenience features.
- **Adjustable Spillproof Glass Shelves** – Help contain spills for ease of cleaning.
- **Water Filtration System** – Delivers clean, great-tasting water and ice through the Soft-Touch dispenser with indicator light.
- **Frost Barrier Technology** – Reduces freezer burn, so foods retain their texture and flavor.
- **Quick Ice Option** – Makes ice up to 50% faster than normal settings - ideal for entertaining.
- **Full-Extension Freezer Baskets** – Extends 12" to 16" beyond the cabinet, providing easy access to contents.
- **Secure-Close Door System** – Engineered with an advanced hinge system that automatically pulls the door shut.

### Refrigerator Dimensions (in inches)



### FOR ADDITIONAL INFORMATION

Vintage™ Luxury Cooking Appliances

[www.vintageluxuryappliances.com](http://www.vintageluxuryappliances.com)



Rev. 04-07

©2007. All Rights Reserved.

## Free Manuals Download Website

<http://myh66.com>

<http://usermanuals.us>

<http://www.somanuals.com>

<http://www.4manuals.cc>

<http://www.manual-lib.com>

<http://www.404manual.com>

<http://www.luxmanual.com>

<http://aubethermostatmanual.com>

Golf course search by state

<http://golfingnear.com>

Email search by domain

<http://emailbydomain.com>

Auto manuals search

<http://auto.somanuals.com>

TV manuals search

<http://tv.somanuals.com>