



Assembly Guide

**X6600HRT/DA
DUAL-ACTION ELLIPTICAL TRAINER**



X6600HRT/DA

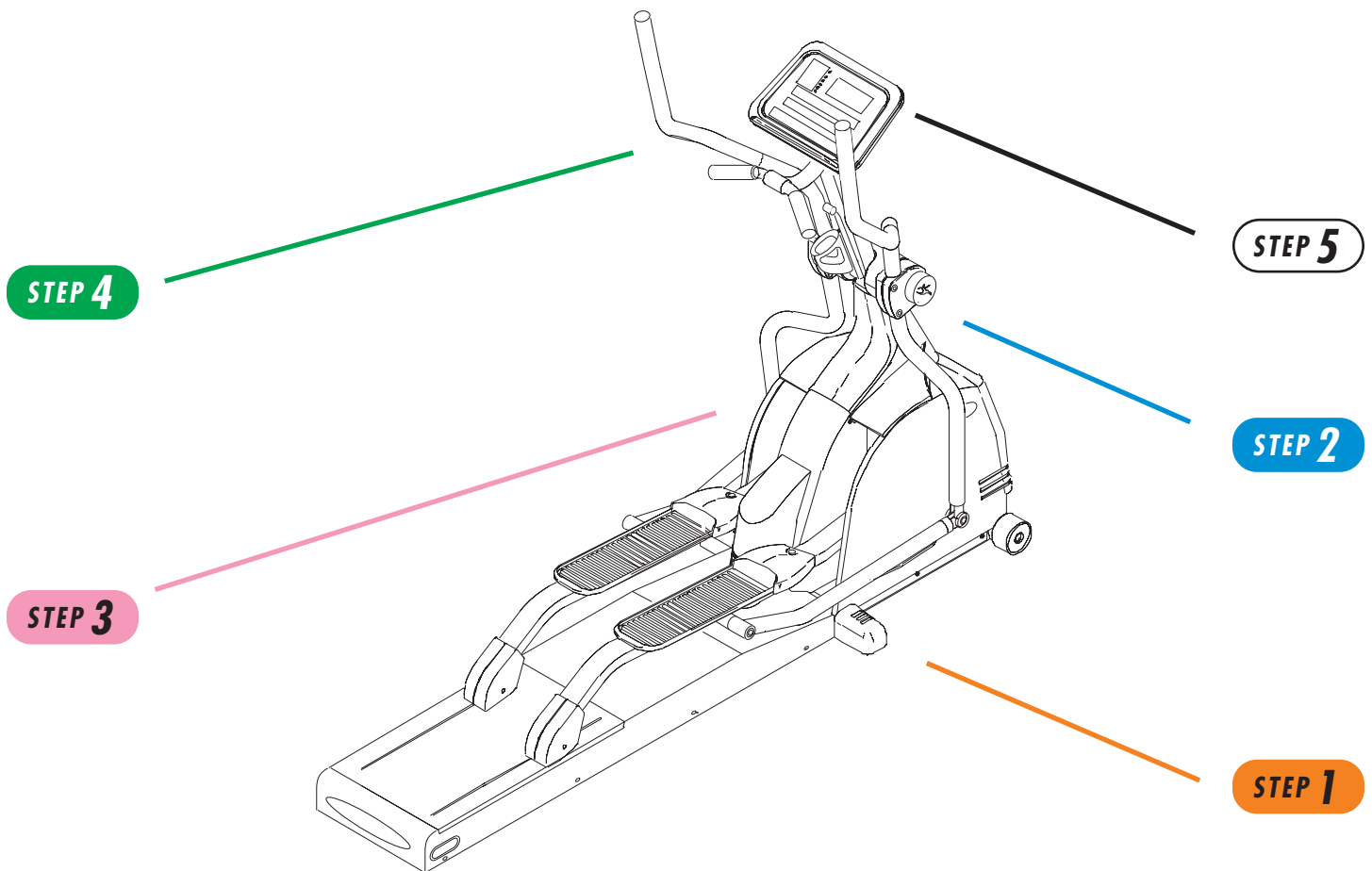
dual-action elliptical trainer

To avoid possible damage to this Elliptical Trainer, please follow these assembly steps in the correct order. Before proceeding though, find your new Elliptical Trainer's serial number located below the power switch, and enter here:

Refer to this number when calling for service, and also enter this serial number on your Warranty Card and in your own records. Be sure to read your Owner's Guide before using your new Elliptical Trainer.

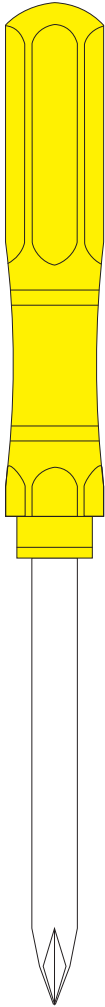
If any parts, hardware or tools are missing, please call 1.800.335.4348, Extension 12

NOTE: It is recommended that you apply grease to the threads of each bolt as you assemble your Elliptical Trainer, to prevent loosening and noise. Also, during each assembly step, ensure that ALL nuts and bolts are in place and partially threaded in before completely tightening any ONE bolt.

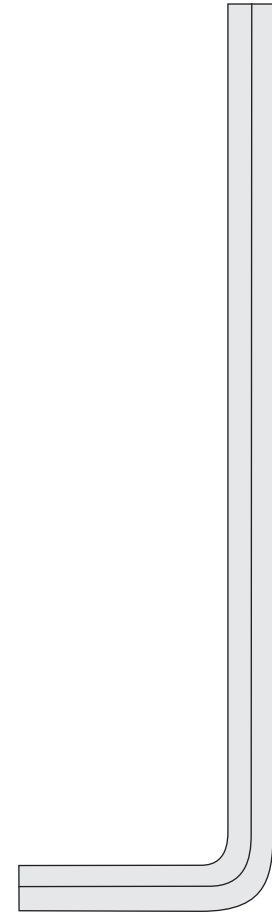
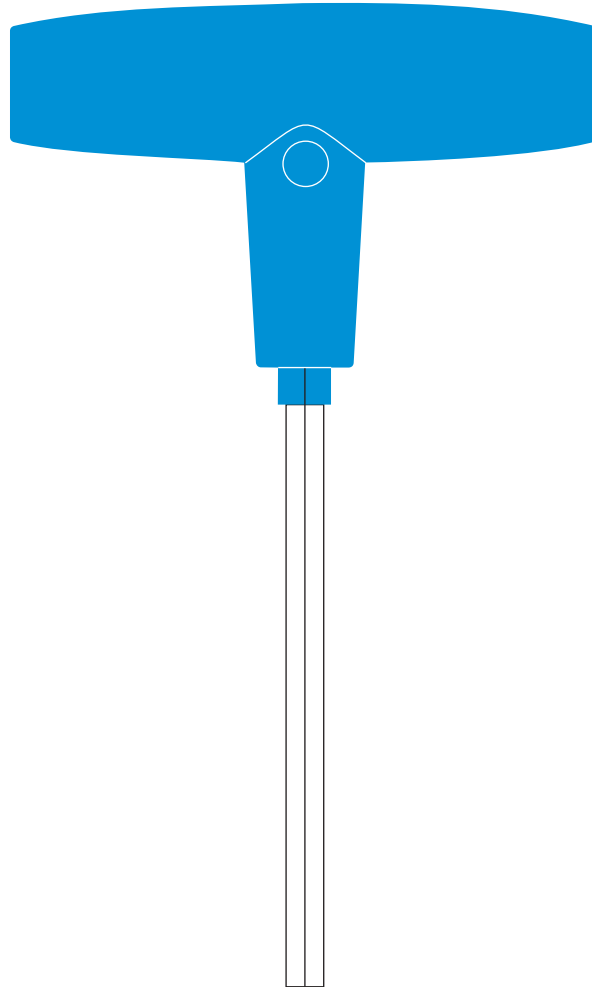


TOOLS & PARTS INCLUDED

Screwdriver



5^{mm} Allen Wrench



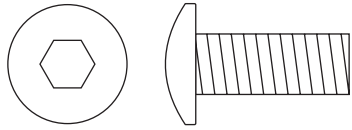
6^{mm} L-Shaped Wrench

PARTS BOX

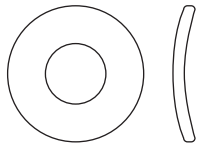
Heart Rate Chest Strap, Qty: 1
Power Supply, Qty: 1
Arm Bracket Covers, Qty: 2
Logo Endcaps, Qty: 2
Stabilizers, Qty: 2
Stabilizer Covers, Qty: 2
Water Bottle and Holder, Qty: 1
Console Mast Cover Plate, Qty: 1
Assembly Guide
Owner's Guide
Warranty Card
Parts Bags
Tools

HARDWARE INCLUDED

ORANGE BAG

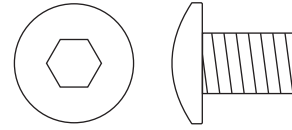


M4 x 12^{mm} Screw
Quantity: 4

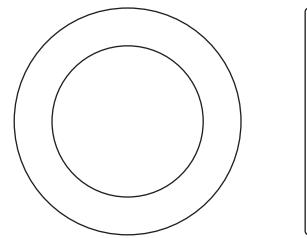


M8 Arc Washer
Quantity: 4

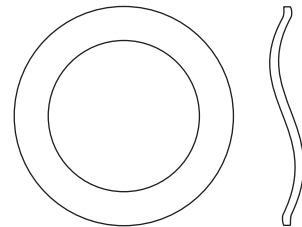
PINK BAG



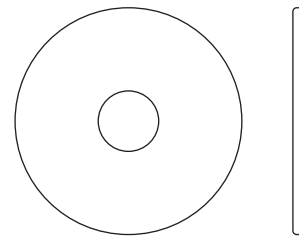
M8 x 12^{mm} Bolt
Quantity: 2



M30 Teflon Washer
Quantity: 2

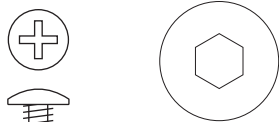


M20 Spring Washer
Quantity: 2



M30 Washer
Quantity: 2

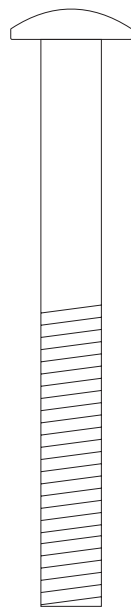
BLUE BAG



M4 x 12^{mm} Screw
Quantity: 4



M3 x 10^{mm} Screw
Quantity: 1

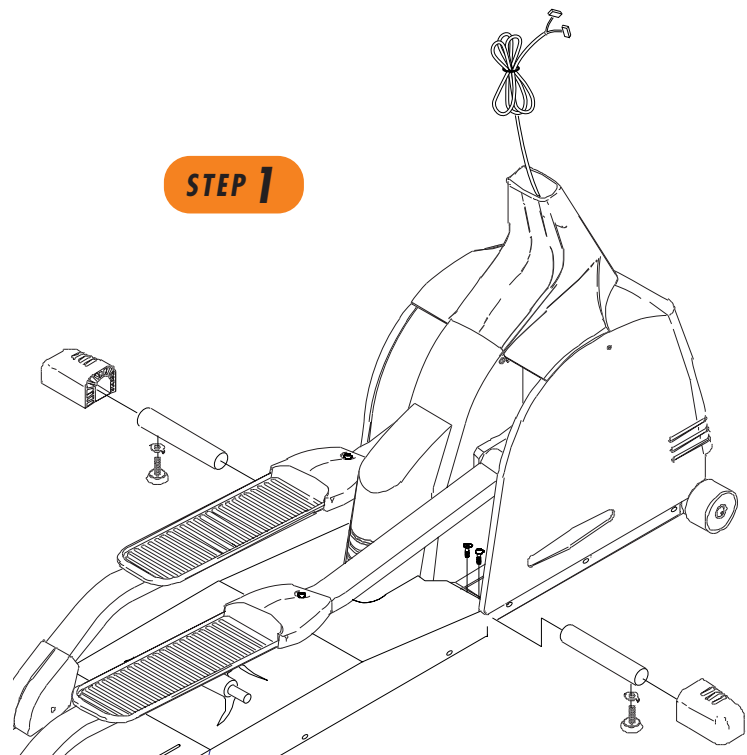


M8 x 75^{mm} Bolt
Quantity: 2

STEP 1

ORANGE BAG

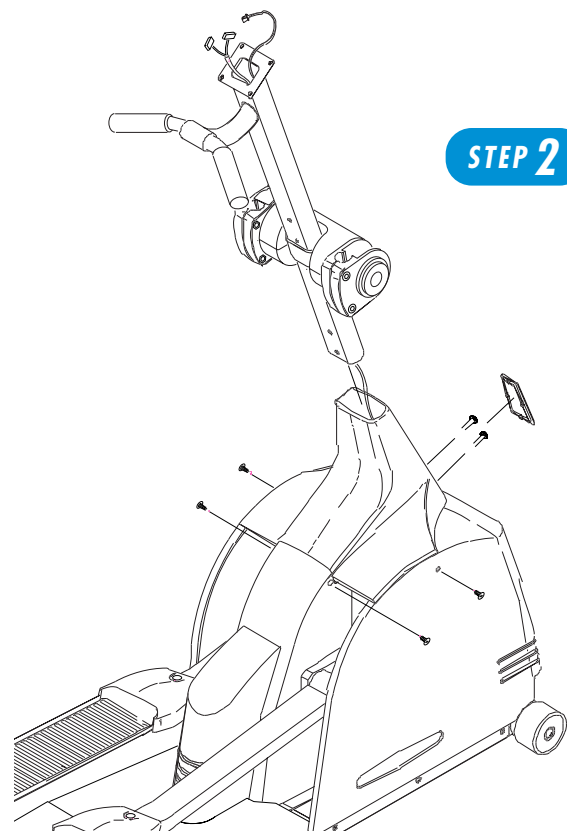
- Install the left and right stabilizers with the four arc-shaped washers (M8) and four bolts (M8 x 20), using the Blue 5^{mm} Allen wrench.
- Cover both stabilizers with the included rubber boots.



STEP 2

BLUE BAG

- Slide the console mast cover onto the console mast.
- Unfold the console cable and attach it to the string located inside the console mast. Guide the wire up through the mast while simultaneously sliding the console mast onto the frame bracket.
- Attach the console mast cover to the frame using four screws (M4 x 12).
- Bolt the mast to the frame with the two bolts (M8 x 75), using the 5^{mm} Blue-handled Allen wrench. Make sure these are tight!
- Attach the console mast cover plate with the V-head screw (M3 x 10).

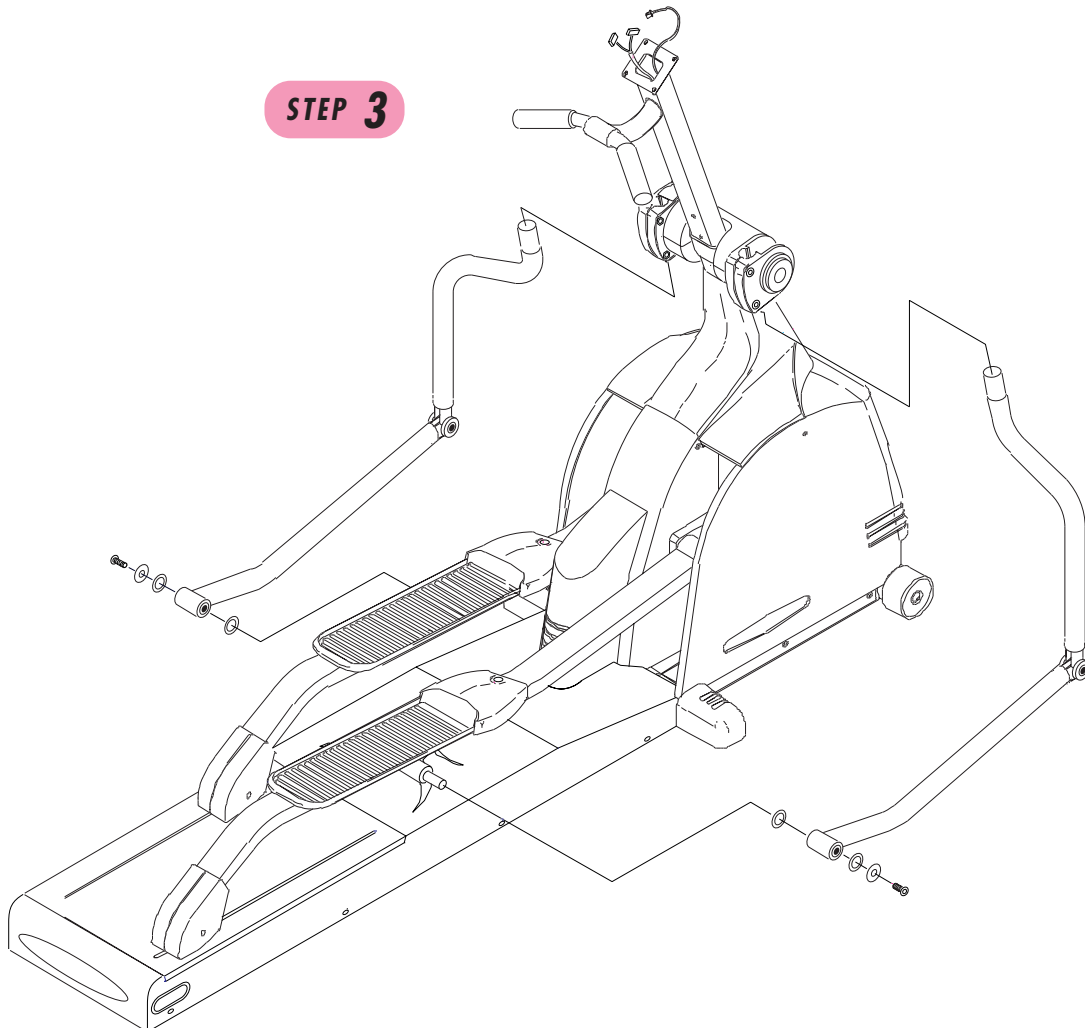


STEP 3

PINK BAG

- Slide a small spring washer (M20) onto the lower pedal arm support (M20) onto the lower pedal arm support, followed by the right lower arm. Attach with a white Teflon washer (M30), a flat washer (M30), and bolt (M8 x 12), using Blue-handled 5^{mm} Allen wrench.
- Pivot the lower arm and insert the top end into the upper handlebar bracket.
- Tighten the bottom bolt (M8) on the arm bracket connection block, using the 6mm L-shaped Allen wrench.
- Repeat the above steps to attach the arms on the left side.

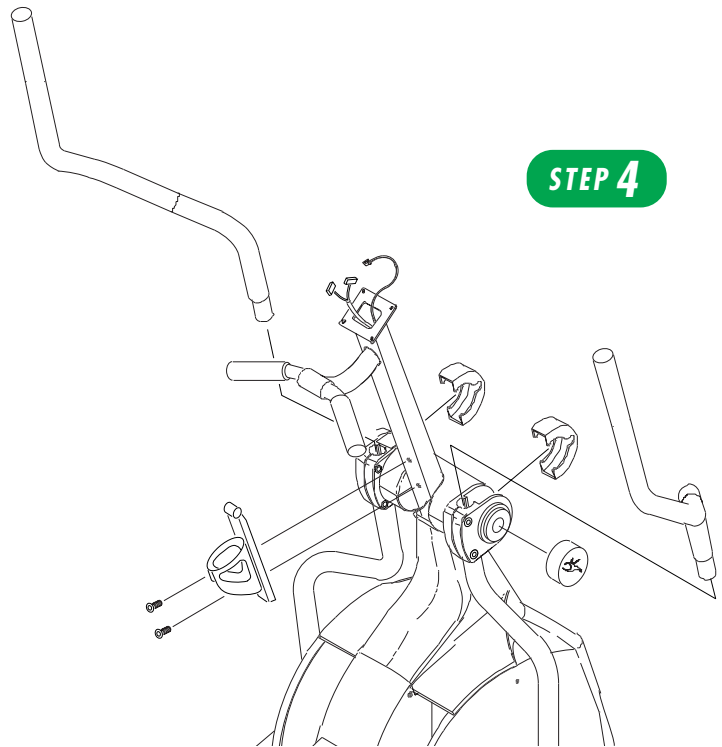
STEP 3



STEP 4

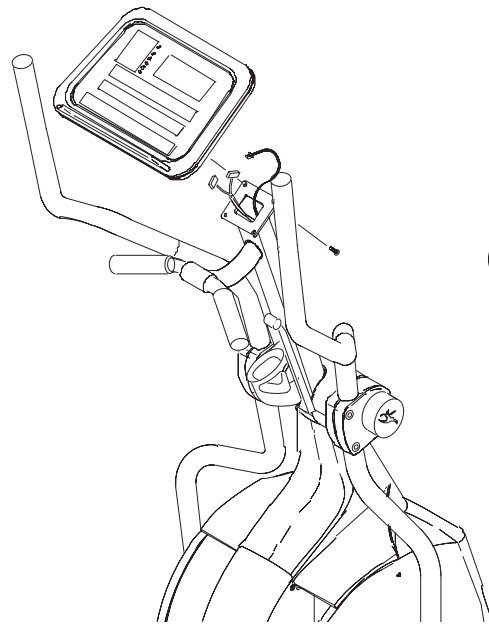
GREEN BAG

- Slide right upper arm into right upper handlebar bracket.
- Tighten the top bolt (M8) on the arm bracket connection block, using the 6^{mm} L-shaped Allen wrench.
- Attach plastic arm bracket cover to the front of the arm bracket connection block. This is a snap fit.
- Attach the plastic logo endcap to the side of the arm bracket connection block. This is a snap fit.
- Repeat the above steps on the left side.
- Attach water bottle bracket with the included screws.



STEP 5**CONSOLE**

- Remove the four screws from the back of the console. Plug the wire connectors from inside the mast into the console. The cable connectors are slotted, so do not force the connection.
- Mount the console to the mast using the four screws. Do not pinch the cable!

**STEP 5**

621-D East Lake Street • P.O. Box 280 • Lake Mills, WI 53551
toll free 1.800.335.4348 • phone 1.920.648.4090 • fax 1.920.648.3373
www.visionfitness.com

©2001 Vision Fitness. All Rights Reserved. 3.01 Part #Z66EP09-AG1803PRD
AG18.03PRD
REV1

Free Manuals Download Website

<http://myh66.com>

<http://usermanuals.us>

<http://www.somanuals.com>

<http://www.4manuals.cc>

<http://www.manual-lib.com>

<http://www.404manual.com>

<http://www.luxmanual.com>

<http://aubethermostatmanual.com>

Golf course search by state

<http://golfingnear.com>

Email search by domain

<http://emailbydomain.com>

Auto manuals search

<http://auto.somanuals.com>

TV manuals search

<http://tv.somanuals.com>