

XEROX[®]

DP 1011

Xerox DP1011 user's guide



XEROX.

DP 1011

Xerox DP1011 **projector** user's guide



Copyright © 2003 Visioneer, Inc.

Reproduction, adaptation, or translation without prior written permission is prohibited, except as allowed under the copyright laws.

Xerox ®, the digital X ® are registered trademarks of Xerox Corporation in the United States and/or other countries and are used under license. All other Xerox product names and product numbers mentioned in this publication are trademarks of Xerox Corporation. Apple, the Apple logo, and Macintosh are trademarks of Apple Computer, Inc., registered in the U.S. and other countries.

The Visioneer brand name and logo are registered trademarks of Visioneer, Inc.

Microsoft is a U.S. registered trademark of Microsoft Corporation. Windows is a trademark of Microsoft Corporation. All Rights Reserved. All other products mentioned herein may be trademarks of their respective companies.

Information is subject to change without notice and does not represent a commitment on the part of Visioneer. The software described is furnished under a licensing agreement. The software may be used or copied only in accordance with the terms of such an agreement. It is against the law to copy the software on any medium except as specifically allowed in the licensing agreement. No part of this document may be reproduced or transmitted in any form or by any means, electronic or mechanical, including photocopying, recording, or information storage and retrieval systems, or translated to another language, for any purpose other than the licensee's personal use and as specifically allowed in the licensing agreement, without the express written permission of Visioneer.

Part Number: 05-0600-000

Restricted Rights Legend

Use, duplication, or disclosure is subject to restrictions as set forth in contract subdivision (c)(1)(ii) of the Rights in Technical Data and Computer Software Clause 52.227-FAR14. Material scanned by this product may be protected by governmental laws and other regulations, such as copyright laws. The customer is solely responsible for complying with all such laws and regulations.

FCC Radio Frequency Interference Statement

This equipment has been tested and found to comply with the limits for the class B digital device, pursuant to part 15 of the FCC Rules. These limits are designed to provide reasonable protection against interference in a residential installation. This equipment generates, uses and can radiate radio frequency energy and if not installed, and used in accordance with the instructions, may cause harmful interference to radio communications. However, there is no guarantee that interference will not occur in a particular installation. If this equipment does cause harmful interference to radio or television reception, which can be determined by turning the equipment off and on, the user is encouraged to try and correct the interference by one or more of the following measures:

Reorient or relocate the receiving antenna.

Increase the separation between the equipment and receiver.

Connect the equipment into an outlet on a circuit different from that to which the receiver is connected.

Consult the dealer or an experienced radio/TV technician for help.

This equipment has been certified to comply with the limits for a class B computing device, pursuant to FCC Rules. In order to maintain compliance with FCC regulations, shielded cables must be used with this equipment. Operation with non-approved equipment or unshielded cables is likely to result in interference to radio and TV reception. The user is cautioned that changes and modifications made to the equipment without the approval of manufacturer could void the user's authority to operate this equipment.

This device complies with part 15 of the FCC Rules. Operation is subject to the following two conditions: (1) This device may not cause harmful interference, and (2) this device must accept any interference received, including interference that may cause undesired operation.

Table of Contents

Welcome

Precautions

Do's and Don'ts	3
What's in the Box	4
The Xerox DP1011 Projector	5
Connection Ports	6

Installation

Connecting the Projector	7
Powering On/Off the Projector	8
Warning Indicator Lights	9
Adjusting the Projected Image	10
Adjusting the Projector Zoom/Focus	11
Adjusting Projection Image Size	11

User Controls

Panel Control and Remote Control	12
Panel Control	12
Remote Control	13
On-Screen Display (OSD) Menus	14
Displaying Menus and Selecting Items	14
Choose a Language	15
Adjust the Projector Image	16
Adjust the Computer Image	17
Adjust the Video Image	18
Projector Management	19
Adjust the PiP (Picture in Picture)	20

Maintenance

Changing the Lamp	21
Troubleshooting	23
Xerox DP1011 Projector Specifications	27
Setting the Screen Resolution	28

Welcome

Your new Xerox DP1011 projector is an XGA single chip 0.7" DLP™ (Digital Light Processing) projector with these outstanding features:

- True XGA, 1024 x 768 addressable pixels
- 2.1 lbs (0.95 kgs) compact design
- Single chip DLP™ technology
- Compatible with NTSC, NTSC4.43, PAL, PAL-M, PAL-N, SECAM, and HDTV
- Full-function remote controller
- User-friendly multilingual on-screen display menu
- Advanced electronic keystone correction and high-quality full screen re-scaling image
- User-friendly control panel
- SXGA compression and VGA, SVGA re-sizing
- 120 Watts user replaceable P-VIP lamp
- Apple Macintosh compatible

Precautions

Follow all warnings, precautions and maintenance as recommended in this user's guide to avoid injury and to maximize the life of your projector.



Warning—Do not look into the projector's lens when the lamp is on. The bright light may hurt your eyes.



Warning—To reduce the risk of fire or electric shock, do not expose this product to rain or moisture.



Warning—Do not open or disassemble the product as this may cause electric shock.



Warning—When changing the lamp, please allow unit to cool down, and follow all changing instructions.



Warning—This product will detect the life of the lamp itself. Please be sure to change the lamp when it shows warning messages.



Warning—Reset the "Reset Lamp Hours" function from the On Screen Display "Management" menu after replacing the lamp module (refer to "Projector Management" on page 19).



Warning—When switching the projector off, please ensure the projector completes its cooling cycle before disconnecting power.



Warning—Turn on the projector first and then the signal sources.



Warning—When the lamp reaches the end of its life, it will burn out and may make a loud popping sound. If this happens, the projector will not turn back on until the lamp module has been replaced. To replace the lamp, follow the procedures in "Changing the Lamp" on page 21.

Do's and Don'ts

Do:

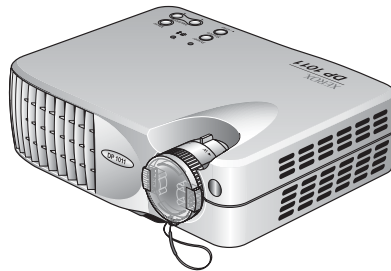
- Turn off the projector before cleaning.
- Use a soft cloth moistened with mild detergent to clean the display housing.
- Disconnect the power plug from AC outlet if the projector is not being used for a long period of time.

Don't:

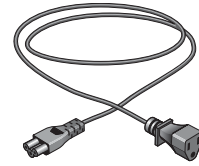
- Block the ventilation slots and openings on the projector.
- Use abrasive cleaners, waxes or solvents to clean the projector.
- Use under the following conditions:
 - In extremely hot, cold or humid environment.
 - In areas susceptible to excessive dust and dirt.
 - Near any appliance generating a strong magnetic field.
 - In direct sunlight.

What's in the Box

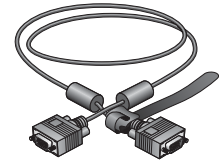
Before proceeding, check the contents of the box. If items are missing or damaged, contact the dealer where you purchased the projector.



Projector with lens cap



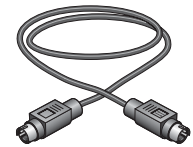
Power Cord



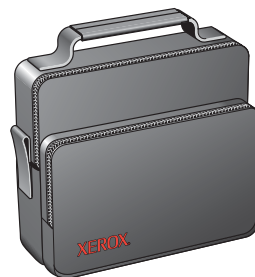
VGA Cable



Composite Video Cable



S-Video Cable



Carrying Case



Quick Start Card



Tech Support Card

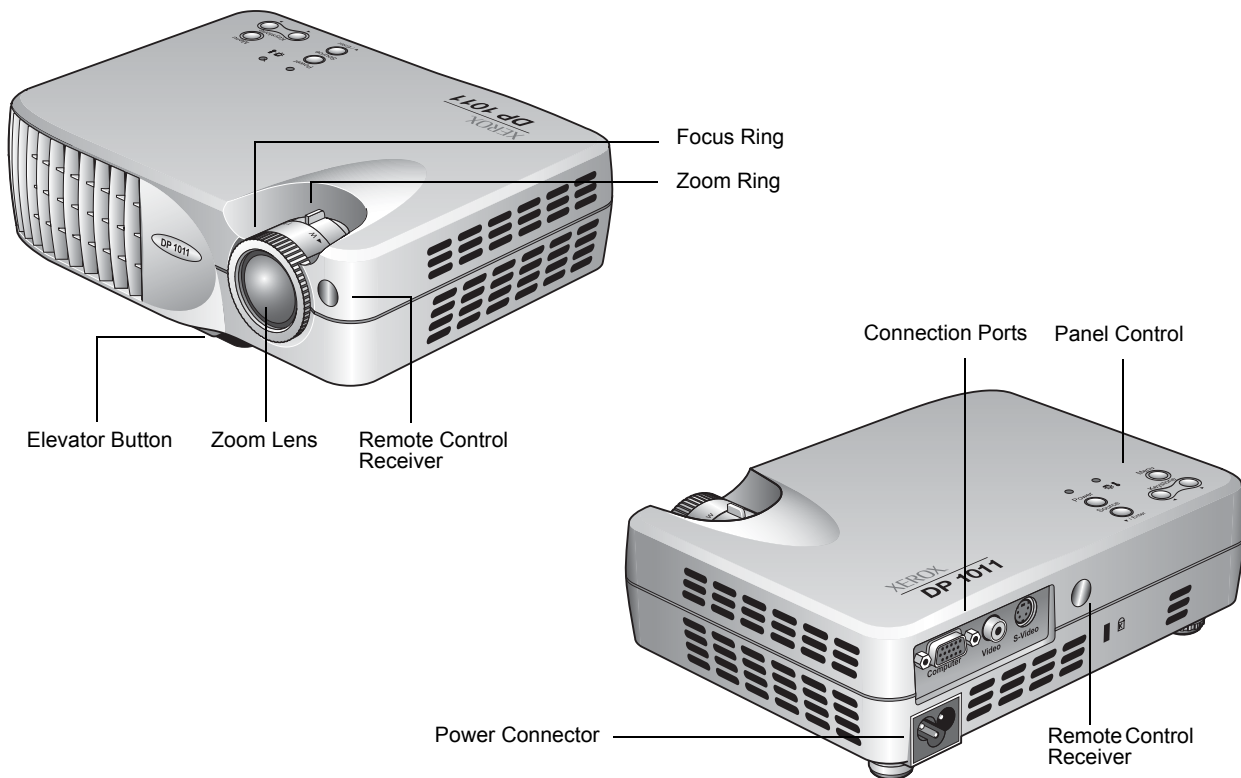


Remote Control



Battery

The Xerox DP1011 Projector



Focus Ring—Rotate to focus the image.

Zoom Ring—Rotate to zoom the image in or out.

Elevator Button—Press to release the elevator foot to lower or raise the projector.

Zoom Lens—Extends and retracts as you rotate the zoom ring to zoom in/out.

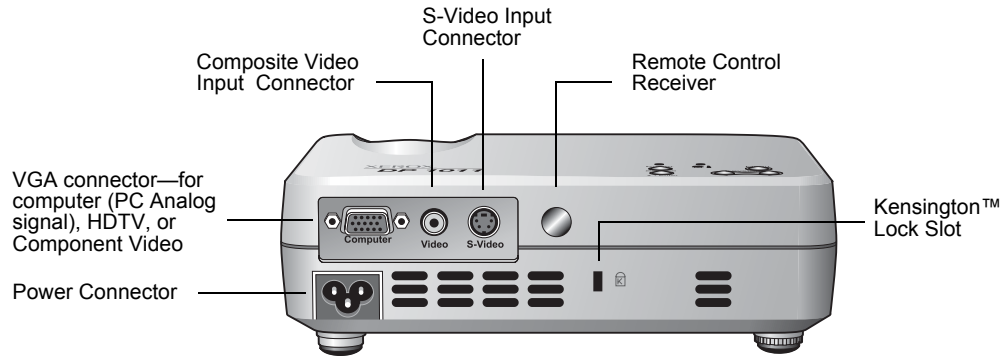
Remote Control Receiver—Infrared receivers that receive signals from the remote control. Located on both the front and rear so you can control the projector from either position. Do not cover or block these receivers.

Connection Ports—Ports for connecting the computer and video source to the projector.

Panel Control—Control buttons, Warning Indicator, and Power/Standby Indicator.

Power Connector—Plug the power cord into the projector here.

Connection Ports



Power Connector—Plug the power cord into the projector here.

VGA Connector—Use the VGA cable that you received with your projector to plug in a computer, HDTV, or component video source.

Composite Video Input Connector—Plug in your composite video source here, such as a DVD player or VCR. Requires a standard A/V connecting cable. Connect the yellow (video) plug to your video source and to the projector.

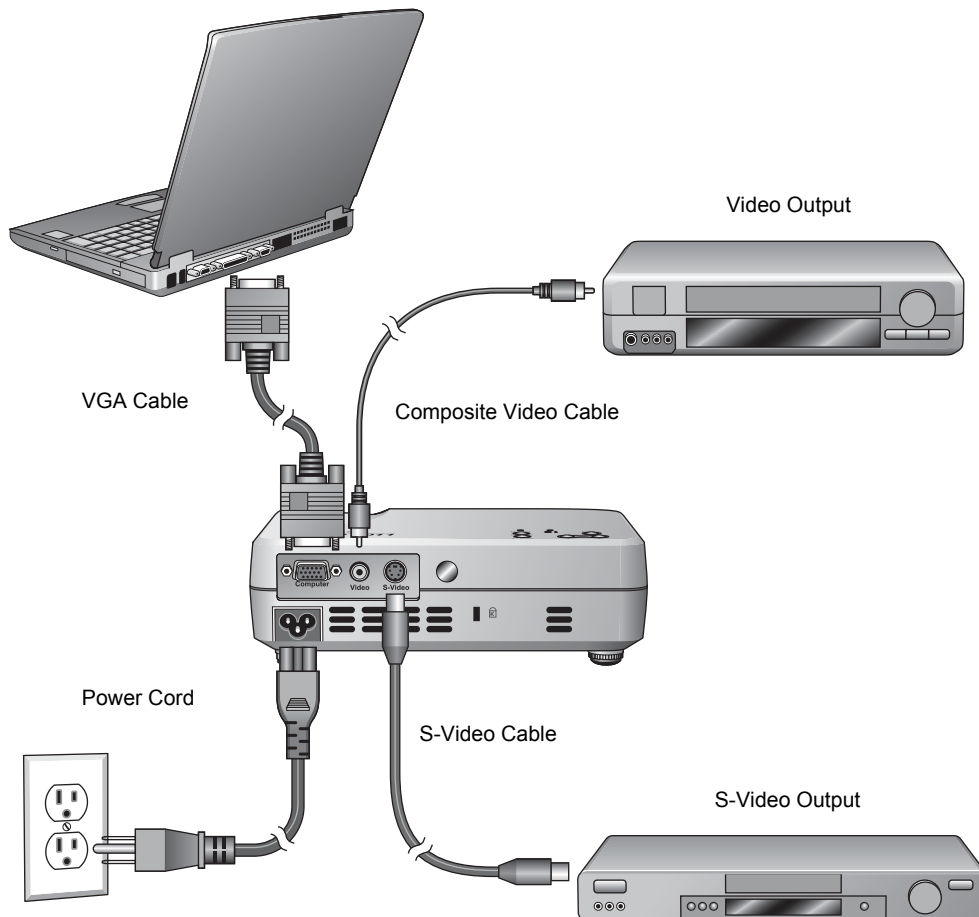
S-Video Input Connector—Plug in your S-Video source here, such as a professional-quality DVD player or VCR. Requires a standard S-Video connecting cable.

Remote Control Receiver—Infrared receiver that receive signals from the remote control. Located on both the front and rear so you can control the projector from either position. Do not cover or block this receiver.

Kensington™ Lock Slot—Slot for inserting a Kensington cable and lock to protect your projector from theft.

Installation

Connecting the Projector



1. Make sure the projector and computer are turned off.
2. Connect one end of the VGA cable to the projector. Connect the other end to the VGA port on the computer.
3. Connect the projector to the other video source(s) with the appropriate cable(s).
4. Plug the power cord into the back of the projector and then into an electrical outlet.
5. Turn on the projector first, and then the computer.

NOTE: Your DP1011 projector works best at computer screen resolutions of 1024 x 768 or less. To reset the computer screen resolution, see "Setting the Screen Resolution" on page 28.

Powering On/Off the Projector

To turn on the projector power

1. Remove the lens cap.
2. Make sure that the power cord and the cables from the video sources are securely connected to the projector.
3. Turn on the lamp by pressing the **Power** button on the control panel or on the Remote Control.

The startup screen displays for 20 seconds and the Power/Standby indicator flashes **green**.

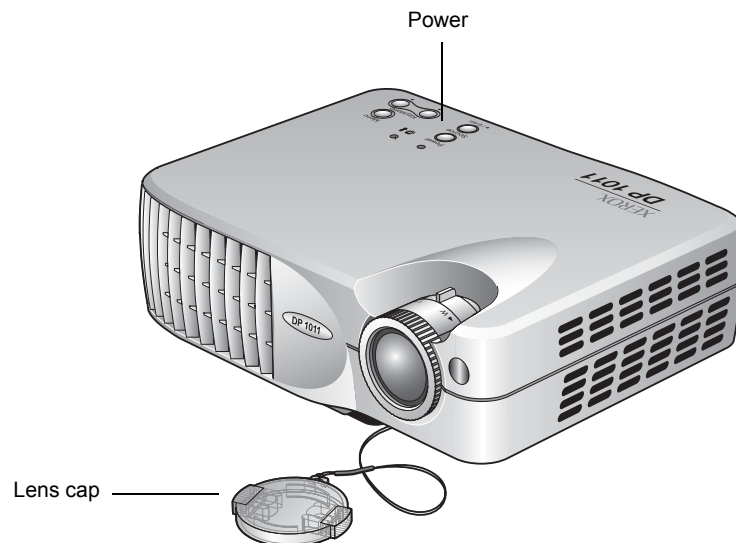
When the startup screen disappears, the Power/Standby indicator turns a steady **green**.

4. Turn on your video source device (computer, notebook, DVD player, video player, etc.). The projector detects the video source automatically.

If the screen displays “No Signal”, please make sure the signal cables are securely connected.

*If you connect multiple sources at the same time, use the **Source** button on the remote control or control panel to switch among them.*

NOTE: Turn the projector on first, then the computer.



To turn off the projector power

1. Press the **Power** button on the projector or Remote Control to turn off the projector lamp.

An on-screen message appears: **Power off the lamp?**

2. Press the **Power** button again to confirm.

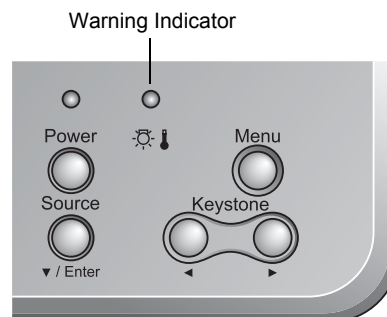
If you don't press the button again within five seconds, the message disappears and the lamp remains lit. This convenient design is in case you accidentally press the Power button in the middle of a show and do not want to turn off the projector.

If you do press the **Power** button a second time, the Power/Standby indicator flashes **orange** for about 40 seconds. Then the projector automatically shuts itself down.

3. To turn on the projector again, press the **Power** button within 40 seconds of the indicator flashing.
4. Disconnect the power cord.

NOTE: Do not turn off the projector immediately following a power off procedure. Let it cool down first.

Warning Indicator Lights



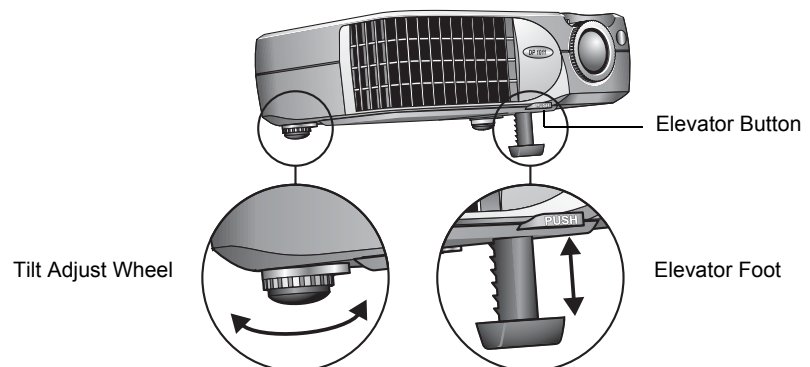
- If the Warning indicator turns **red**, the projector has overheated. The projector will automatically shut itself down.
- A Warning indicator flashing **red** (0.5 second intervals), indicates a problem with the lamp. Turn off the projector and disconnect the power cord from the electrical outlet, then contact your local dealer or our service center.
- A Warning indicator flashing **red** (1 second intervals), indicates an internal problem. Turn off the projector and disconnect the power cord from the electrical outlet, then contact your local dealer or our service center.
- A Warning indicator flashing **orange**, indicates high-speed cooling in progress. This is not an abnormal condition, and you can continue using the projector.

Adjusting the Projected Image

NOTE: The projector is equipped with an “elevator foot” for adjusting the projector height.

To raise the projector

1. Lift the projector up and press the elevator button.
The elevator foot pops out.
2. Press the elevator button and hold it in while raising the projector to the display angle you want, then release the elevator button to lock the elevator foot in position.
3. Rotate the tilt adjust wheel to fine-tune the display angle. The tilt adjust wheel is only on the back foot diagonally opposite the lens.



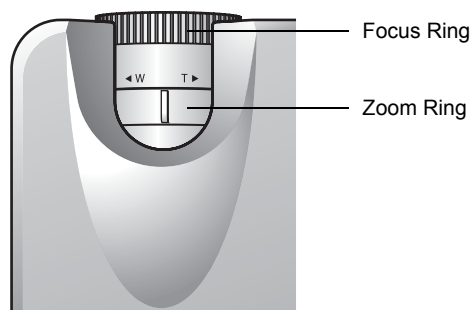
To lower the projector

1. Hold the projector with one hand, then press and hold down the elevator button.
2. Lower the projector, then release the elevator button to lock the elevator foot in position.
3. Rotate the tilt adjust wheel to fine-tune the display angle.

NOTE: When placing the projector in its carrying case, please first retract the elevator foot and tilt adjust wheel to avoid breakage.

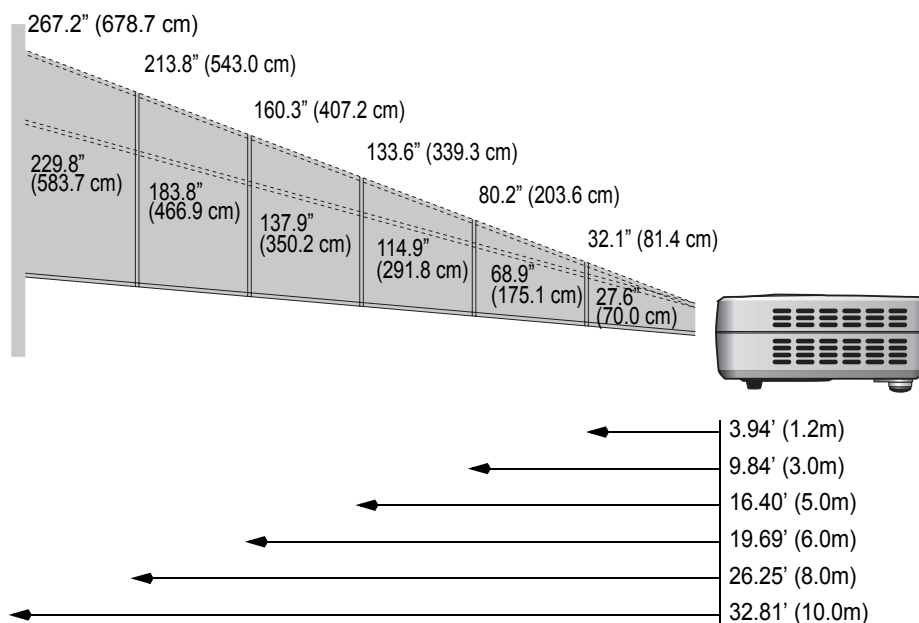
Adjusting the Projector Zoom/Focus

You adjust the focus and zoom in/out with the focus ring and zoom ring on the lens housing. To focus the image, rotate the focus ring until the image is clear. The projector can focus at distances from 3.94 feet to 32.81 feet (1.2m to 10.0m).



Adjusting Projection Image Size

Use the following figure and table to select the best screen distance and image size. The table is for reference only.



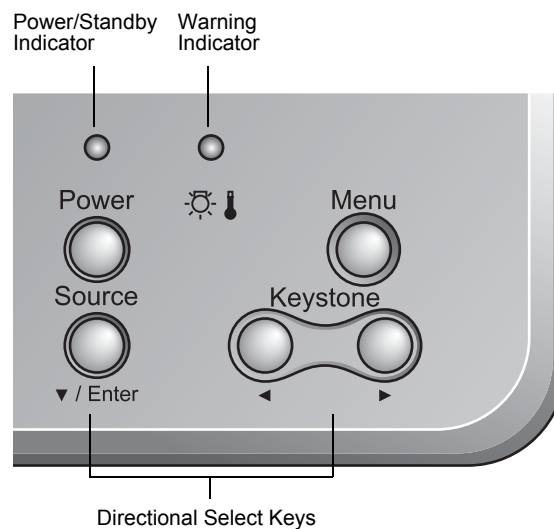
Screen (Diagonal)	Max.	32.1" (81.4 cm)	80.2" (203.6 cm)	133.6" (339.3 cm)	160.3" (407.2 cm)	213.8" (543.0 cm)	267.2" (678.7 cm)
	Min.	27.6" (70.0 cm)	68.9" (175.1 cm)	114.9" (291.8 cm)	137.9" (350.2 cm)	183.8" (466.9 cm)	229.8" (583.7 cm)
Screen Size	Max. (WxH)	25.68" x 19.26" (65.1cm x 48.8cm)	64.16" x 48.12" (162.9cm x 122.2cm)	106.88" x 80.16" (271.4cm x 203.6cm)	128.24" x 96.18" (325.8cm x 244.3cm)	171.04" x 128.28" (434.4cm x 325.8cm)	213.76" x 160.32" (543.0cm x 407.2cm)
	Min. (WxH)	22.08 x 16.56" (56.0cm x 42.0cm)	55.12" x 41.34" (140.1cm x 105.1cm)	91.92" x 68.94" (233.4cm x 175.1cm)	110.32" x 82.74" (280.2cm x 210.1cm)	147.04" x 110.28" (373.5cm x 280.1cm)	183.84 x 137.88" (467.0cm x 350.2cm)
Distance		3.94' (1.2m)	9.84' (3.0m)	16.40' (5.0m)	19.69' (6.0m)	26.25' (8.0m)	32.81' (10.0m)

User Controls

Panel Control and Remote Control

The buttons on the Panel Control and the Remote Control are for controlling the projector's functions.

Panel Control



Power/Standby Indicator—Flashes **green** during power startup; remains steady **green** when projector is ready.

Warning Indicator—Turns **red** when projector is overheated, flashes **red** when the projector has a lamp problem or internal problem, flashes **orange** when high-speed cooling is in progress.

Power—Turns projector power on and off. See “Powering On/Off the Projector” on page 8 for the specific power on/off sequences.

Source—Selects type of video source: RGB, Component-p, Component-i, S-Video, Composite Video, or HDTV.

Enter—When menus are displayed, confirms your selection of items on the menus.

Directional Select Keys (▼ ◀ ▶)—When menus are displayed, selects items or adjusts settings of items.

Keystone—Adjusts image distortion caused by tilting the projector (+/- 16 degrees).

Menu—Opens the On-Screen Display (OSD) menus. To close the OSD, press the **Menu** button again.

Remote Control



Transmit Indicator Light—Indicates the infrared signal that is transmitted to, and received by the projector.

PiP—Displays the Pip menu of the On-Screen Display (OSD).

Source—Selects type of video source: RGB, Component-p, Component-i, S-Video, Composite Video, or HDTV.

Power—Turns projector power on and off. See “Powering On/Off the Projector” on page 8 for the specific power on/off sequences.

Hide—Hides image being displayed. Press again to resume display of image.

Keystone—Adjusts image distortion caused by tilting the projector (+/- 16 degrees).

Freeze—Holds the current image still on the screen. Press again to resume the action.

Zoom In/Zoom Out—Enlarges or reduces image. Press Zoom In to enlarge the image, press Zoom Out to reduce the image.

Directional Selection Keys (▲ ▼ ◀ ▶)—Selects items on the OSD menu. If an item is selected, makes adjustments to that selected item

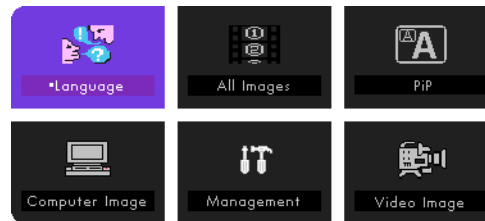
Menu—Opens the On-screen Display (OSD) menus. Press the **Menu** button again to exit the OSD.

On-Screen Display (OSD) Menu

The On-Screen Display (OSD) menus provide the options to make image adjustments and change a variety of settings. The projector automatically detects the video source so your selections from the menu will apply to that source.

Displaying Menus and Selecting Items

1. To open the OSD Main Menu, press the **Menu** button on the Remote Control or Panel Control.



2. To select one of the menus on the Main Menu, press the ◀ ▶ keys.

The example above shows the Language menu is selected.

3. Press the **Enter** button on the Remote Control or Panel Control to open the selected menu.

This example shows the All Images menu.

Press the ▲ ▼ keys to select items from the list



Press the ◀ ▶ keys to adjust the setting of the selected item

4. When the menu you want is displayed, press the ▲ ▼ keys to select items.
5. To adjust options, press the ◀ ▶ keys.
6. To accept your new settings, press the **Menu** button.
The Main Menu reappears.
7. To exit the OSD, press the Menu button again.
The OSD closes and your new settings are in effect.

Choose a Language

1. Press the **Menu** button on the Remote Control or Panel Control to open the OSD.
2. Select the Language menu and press the **Enter** button.

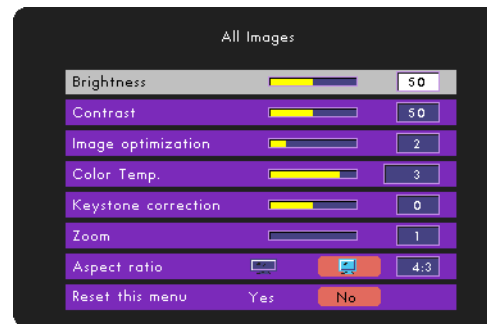
The Language menu appears.



3. Use the ▲ ▼ keys to select the language you want.
The Panel Control only has a ▼ key. Use it to select from the menu.
4. Press the **Menu** button again.
The menus will be displayed in the selected language.

Adjust the Projector Image

1. Press the **Menu** button on the Remote Control or Panel Control to open the OSD.
2. Select the All Images menu and press the **Enter** button.
The All Images menu appears.



3. Use the ▲ ▼ keys to select the item you want, and use the ◀ ▶ keys to adjust the selected setting.
4. When the new settings are what you want, press the **Menu** button again.

Brightness—Lightens or darkens the image. The higher the number, the brighter the image.

Contrast—Controls the degree of difference between the lightest and darkest parts of the image. Adjusting the contrast changes the amount of black and white in the image. The higher the number the greater the contrast.

Image Optimization—Maximizes the settings for brightness and contrast, and color reproduction quality. The number ranges from 0 to 10.

- Setting 10 maximizes brightness and contrast.
- Setting 0 maximizes color reproduction quality.

Color Temperature—Controls the color temperature of the image. Higher temperatures make the screen look colder, lower temperatures make the screen look warmer.

Keystone correction—Adjust the image distortion caused by tilting the projector (+/- 16 degrees).

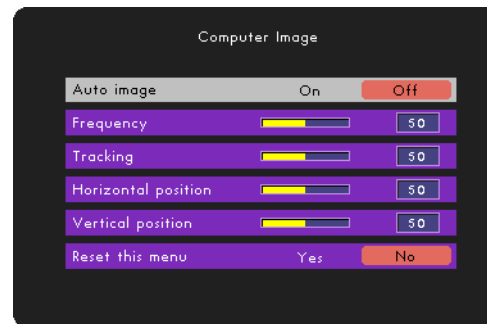
Zoom—Enlarges or reduces the image size. The higher the number the more the image is enlarged.

Aspect Ratio—Control the length-to-width aspect ratio for the type of video source you are using. If the image seems to be distorted or stretched, change the aspect ratio.

Reset This Menu—Resets the projector's display settings to their original factory settings. Select **Yes** to reset the menu.

Adjust the Computer Image

1. Press the **Menu** button on the Remote Control or Panel Control to open the OSD.
2. Select the Computer Image menu and press the **Enter** button.
The Computer Image menu appears.



3. Use the ▲ ▼ keys to select the item you want, and use the ◀ ▶ keys to adjust the selected setting.
4. When the new settings are what you want, press the **Menu** button again.

Auto Image—Automatically adjust the frequency, tracking, and horizontal and vertical position. For most video sources, Auto Image provides the best results.

Frequency—Changes the display data frequency to match the frequency of your computer's graphics card. If a vertical flickering bar appears on the image, adjust the frequency until it disappears.

Tracking—Synchronizes the signal timing of the display with the timing of your computer's graphics card. If the image flickers or is unstable, adjust the tracking until the image is stable.

Horizontal and Vertical Position—Moves the image left and right, and up and down on the screen.

Reset This Menu—Resets the projector's display settings to their original factory settings. Select **Yes** to reset the menu.

Adjust the Video Image

1. Press the **Menu** button on the Remote Control or Panel Control to open the OSD.
2. Select the Video Image menu and press the **Enter** button.
The Video Image menu appears.



3. Use the ▲ ▼ keys to select the item you want, and use the ◀ ▶ keys to adjust the selected setting.
4. When the new settings are what you want, press the **Menu** button again.

Color Saturation—Adjusts the video image from black and white to fully saturated color. The higher the number, the greater the color saturation.

Sharpness—Adjusts the sharpness of the image. The higher the number the sharper the image.

Tint—Adjusts the color balance of red and green. Decreasing the tint, increase the amount of green in the image. Increasing the tint increases the amount of red in the image.

Reset This Menu—Resets the projector's display settings to their original factory settings. Select **Yes** to reset the menu.

Projector Management

1. Press the **Menu** button on the Remote Control or Panel Control to open the OSD.
2. Select the Management menu and press the **Enter** button.
The Management menu appears.



3. Use the ▲ ▼ keys to select the item you want, and use the ◀ ▶ keys to adjust the selected setting.
4. When the new settings are what you want, press the **Menu** button again.

Menu Location—Sets the location of the menus on the screen.

Projection Direction:



- **Front-Desktop**—Projects onto an image in front of the projector. The factory default setting.



- **Rear-Desktop**—Projects a reversed image so you can project from behind a translucent screen.



- **Front-Ceiling**—Projects an image turned upside down for ceiling-mounted projection.



- **Rear-Ceiling**—Projects a reversed image turned upside down for ceiling-mounted projection from behind a translucent screen.

Lamp Hour—Displays the lamp's elapsed operating time (in hours).

Reset Lamp Hours—Resets the lamp's elapsed operating time. Reset this option only after installing a new lamp.

Reset This Menu—Resets the projector's display settings to their original factory settings. Select **Yes** to reset the menu.

Machine Reset—Resets the projector's settings (except Lamp Hours) on *all* menus to their original factory settings. Select **Yes** to reset all menus.

Adjust the PiP (Picture in Picture)

1. Press the **Menu** button on the Remote Control or Panel Control to open the OSD.
2. Select the PiP menu and press the **Enter** button.
The PiP menu appears.



3. Use the ▲ ▼ keys to select the item you want, and use the ◀ ▶ keys to adjust the selected setting.
4. When the new settings are what you want, press the **Menu** button again.

PiP—Turns on and off the PiP function.

PiP Location—Sets the position of the PiP screen on the display screen

PiP Switch Source—Chooses the input source of the projector on the PiP screen.

Reset This Menu—Resets the projector's display settings to their original factory settings. Select **Yes** to reset the menu.

NOTE: The OSD does not include a PiP menu in Video mode.

Maintenance

Changing the Lamp

The projector's lamp life is approximately 1500 hours of use. The projector automatically monitors the lamp life. After 1500 hours of use, the projector displays the message:

The Lamp has been in use for over 1500 hours. You should purchase a spare bulb.

When you see this message, please contact your local reseller or service center to change the lamp as soon as possible.



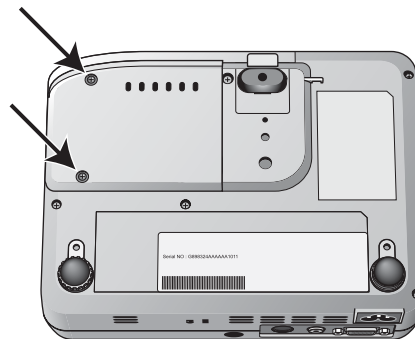
Warning—To reduce the risk of personal injury, do not drop the lamp module or touch the lamp bulb. The bulb may shatter and cause injury if dropped.



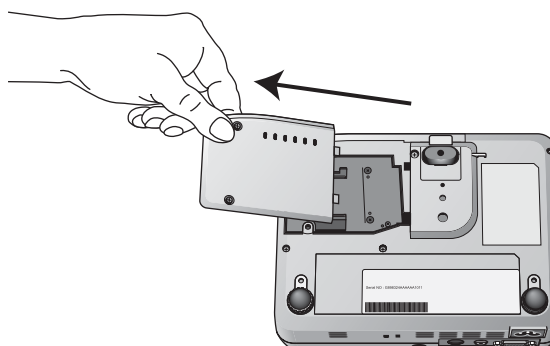
Warning—Lamp compartment is hot! Allow the projector to cool down at least 30 minutes.

To change the lamp module

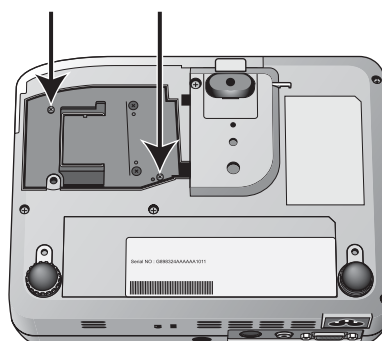
1. Turn off the projector's power by pressing the power button on the Remote Control or Projector Panel.
2. Disconnect the power cord.
3. Use a screwdriver to remove the two screws from the cover.



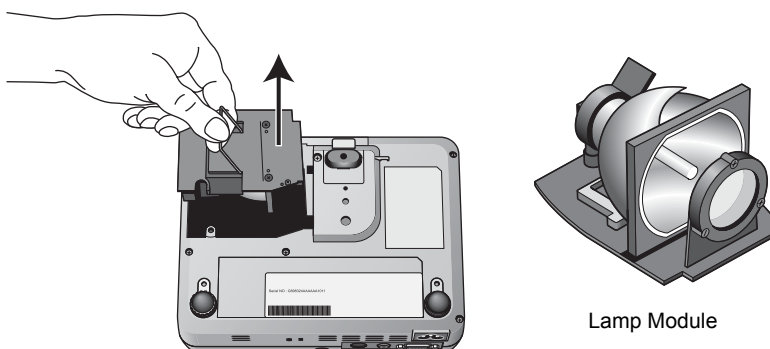
4. Remove the cover.



5. Remove the two screws from the lamp module.



6. Lift up the handle and pull out the lamp module.



Lamp Module

7. To replace the lamp module, reverse the previous steps.

Troubleshooting

If you try the troubleshooting procedures described in this section and the problem persists, you may have a malfunctioning projector. Refer to the technical support card that you received with your projector or contact the retailer where you purchased your projector. Also visit our web site at www.xeroxprojectors.com for additional technical information.

Problem: No image appears on the screen.

Check for one of these possible problems:

- **Are the cables loose or not plugged in securely?** Inspect the cable connections. Make sure the cables are plugged in securely.
- **Are any of the pins on the cables bent or broken?** Inspect the pins on the cable plugs to make sure none of the pins are bent or broken.
- **Is the projection lamp securely installed?** Check that the projection lamp is securely installed, especially if you just changed it. See the section “Changing the Lamp” on page 21 for details about the lamp installation.
- **Is the power on?** Check that the projector’s power switch is turned on and that the power cord is plugged in securely to a working power outlet.
- **Is the lens cap still on?** Make sure you have removed the lens cap from the lens at the front of the projector

Problem: The image is incorrectly displayed, or scrolls, or only partially displayed.

From the projector’s On Screen Display, select the Computer Image menu and select Auto Image so the projector can automatically adjust the image to provide the best possible results.

If the image is still not projected correctly, the resolution setting of your computer screen is too high (greater than 1024 x 768) and you must reset it.

For Windows 3.x:

1. In the Windows Program Manager, click the **Windows Setup** icon in the Main group.
2. Verify that your display resolution setting is less than or equal to 1024 x 768.

For Windows 95, 98, 2000, XP:

1. From the Windows Start menu, select **Settings/Control Panel** and then double-click the **Display** icon.
2. Select the **Setting** tab.
The Desktop Area shows the resolution setting.
3. Verify that the resolution setting is 1024 x 768 or less.

If the projector is still not projecting the whole image, you will also need to select another monitor display for your computer. Use the following steps.

To select another monitor display:

1. On the Display dialog box that you opened in the steps above, click the **Advanced Properties** button.
2. Select the **Monitor** tab and click the **Change** button.
3. Click **Show all devices**.
4. Under the Manufacturers box, select **Standard monitor types**.
5. Under the Models box, choose the resolution mode.
6. Verify that the resolution setting of the monitor display is less than or equal to 1024 x 768.

If you are using a Notebook PC:

1. Follow the steps above to set the resolution to 1024 x 768 or less.
2. Switch the Notebook PC display to the **external display only** or **CRT only** mode.

If you experience difficulty changing resolutions or your monitor freezes, restart all the equipment and the projector.

Problem: The screen of the Notebook or PowerBook computer is not displaying your presentation

If you are using a Notebook PC:

Some Notebook PCs deactivate their own screens when a second display device is attached. Please see the user's manual that you received with your Notebook PC for the steps to reactivate its screen.

If you are using an Apple PowerBook:

1. From the Apple menu, choose **Control Panels/PowerBook Display**.
2. Turn on **Video Mirroring**.
3. Click the **Close** box.

Problem: The image is flickering or otherwise unstable

Try one of these possible solutions:

- **On the On-screen display, go to the Computer Mode page and select Tracking.** Change the tracking until the image stabilizes.
- **Change the color setting of your computer monitor.** Change the number of colors that your computer displays on its monitor.

Problem: Image has vertical flickering bar.

Try one of these possible solutions:

- **On the On-screen display, go to the Computer Mode page and select Frequency.** Change the frequency to match the frequency of the video card in your computer.
- **Reset the display mode of your graphic card to make it compatible with the projector.** See “Setting the Screen Resolution” on page 28 for details.

Problem: Image is out of focus.

Try one of these possible solutions:

- **Adjust the focus ring on the projector.** Turn the focus ring until the image comes into focus.
- **Make sure the distance between the projector and the screen is between 3.94 ft (1.2m) and 32.81 ft (10.0m).** See “Adjusting Projection Image Size” on page 11 for details.

Problem: The screen is outstretched when displaying 16:9 DVD.

The projector automatically detects 16:9 DVD and digitally adjusts the image aspect ratio to full screen with a 4:3 default setting.

If the screen is still outstretched, try one of these possible solutions:

- **Reset your DVD player to display at a 4:3 aspect ratio.** See the DVD player user’s guide for the steps to adjust its aspect ratio.
- **On the projector’s On-screen display, go to the Computer/ Video Mode page and select Aspect ratio.** Change the aspect ratio to 4:3.

Problem: Image is reversed.

On the On-screen display, go to the Computer/Video Mode/ Management page and select Projection Direction. Change the direction of projection to display the image properly.

Problem: Lamp burns out or make a popping sound.

When the lamp reaches its end of life, it will burn out and may make a loud popping sound. If this happens, the projector will not turn on until the lamp module has been replaced. See “Changing the Lamp” on page 21 to replace the lamp.

Xerox DP1011 Projector Specifications

Lamp Valve	Single Chip DLP™ (Digital Light Processing) Technology
Lamp	120W user-replaceable P_VIP lamp
Number of Pixels	1024 pixels (horizontal) by 768 lines (vertical)
Displayable Colors	16.7 million colors
Projection Lens	f/2.8~3.1 f=25.8~30.0mm with 1.16x manual zoom lens
Projection Screen Size	27.6~267.2 inches (70.0cm~678.7 cm) diagonal
Projection Distance	3.94~32.81 feet (1.2m~10m)
Video Compatibility	NTSC, NTSC 4.43, PAL, PAL-M, PAL-N, SECAM, HDTV
Horizontal Frequency	15kHz~100kHz horizontal scan
Vertical Frequency	34Hz~120Hz vertical refresh
Power Supply	Universal AC input 100~240V; Input frequency 50-60Hz
Input/Output Connectors	Power: AC power cord (3.0 m) Computer input: VGA 15-pin D-sub cable for analog/ component and HDTV signal (1.8 m) Video inputs: Composite Video RCA cable (1.8 m) Mini DIN 4-pin S-Video cable (1.8 m)
Weight	2.1 pounds (0.95 kg)
Dimensions (W x H x D)	7,8 x 5.9 x 2.2 inches (198 x 148 x 57 mm)
Operating Environment	Temperature: 41°~95° F (5°~35° C) Humidity: 80% maximum
Storage Environment	Temperature: -4°~140° F (-20°~60° C) Humidity: 80% maximum
Safety and agency certifications	FCC Class B, CE Class B, UL, TÜV-GS, LGA

Setting the Screen Resolution

For best viewing on your computer screen, its resolution should be set to 1024 x 768 or less. To reset the screen resolution, follow the steps below, referring to the chart on page 29 for the correct settings for your type of computer and monitor.

If you have a Windows PC:

1. From the Windows Start menu, select **Settings/Control Panel** and double-click the **Display** icon.
2. Click the **Settings** tab.
3. Drag the resolution slider.
4. Click the **Advanced** button and select the **Monitor** tab.
5. Select the Refresh rate from the drop-down menu.
Refer to the chart on page 29 for Windows computers for the correct refresh rate for the resolution you selected.
6. Click OK, then click **OK** on the Display Properties dialog box.

If you have an Apple Macintosh:

1. From the Apple menu, select **Control Panels/Monitors & Sound**.
2. Click the **Monitor** icon.
3. Select the resolution and refresh rate from the resolution menu.
Refer to the chart page 30 for Apple Macintosh computers for the compatible resolutions for you type of Apple computer.
4. Click the **Close** box.

Compatibility Modes—Windows Computers

Mode	Resolution	(Analog)	
		V. Frequency (Hz)	H. Frequency (Hz)
VESA VGA	640 x 350	70	31.5
VESA VGA	640 x 350	85	37.9
VESA VGA	640 x 400	85	37.9
VESA VGA	640 x 480	60	31.5
VESA VGA	640 x 480	72	37.9
VESA VGA	640 x 480	75	37.5
VESA VGA	640 x 480	85	43.3
VESA VGA	720 x 400	70	31.5
VESA VGA	720 x 400	85	37.9
SVGA	800 X 600	56	35.2
SVGA	800 X 600	60	37.9
SVGA	800 X 600	72	48.1
SVGA	800 X 600	75	46.9
SVGA	800 X 600	85	53.7
VESA XGA	1024 x 768	43.4	35.5
VESA XGA	1024 x 768	60	48.4
VESA XGA	1024 x 768	70	56.5
VESA XGA	1024 x 768	75	60.0
VESA XGA	1024 x 768	85	68.7
VESA SXGA*	1152 x 864	70	63.8
VESA SXGA*	1152 x 864	75	67.5
VESA SXGA*	1152 x 864	85	77.1
VESA SXGA*	1280 x 960	60	60
VESA SXGA*	1280 x 960	75	75
VESA SXGA*	1280 x 1024	43	46.4
VESA SXGA*	1280 x 1024	60	63.98
VESA SXGA*	1280 x 1024	75	79.98

* Compression computer image.

Compatibility Modes—Macintosh Computers

Mode	Resolution	(Analog)	
		V. Frequency (Hz)	H. Frequency (Hz)
MAC 16"*	832 x 624	74.55	49.725
MAC 19"*	1024 x 768	75	60.24
MAC*	1152 x 670	75.06	68.68
MAC G4	640 x 480	60	31.35
MAC G4	640 x 480	120	68.03
MAC G4	1024 x 768	120	97.09
IMAC DV	640 x 480	117	60
IMAC DV	800 x 600	95	60
IMAC DV	1024 x 768	75	60
IMAC DV	1152 x 670	75	68.49
IMAC DV	1280 x 960	75	75

* Compression computer image.



05-0600-000

Free Manuals Download Website

<http://myh66.com>

<http://usermanuals.us>

<http://www.somanuals.com>

<http://www.4manuals.cc>

<http://www.manual-lib.com>

<http://www.404manual.com>

<http://www.luxmanual.com>

<http://aubethermostatmanual.com>

Golf course search by state

<http://golfingnear.com>

Email search by domain

<http://emailbydomain.com>

Auto manuals search

<http://auto.somanuals.com>

TV manuals search

<http://tv.somanuals.com>