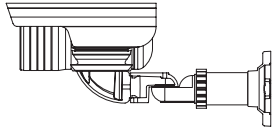


Night Vision Camera



VBC-800PI30-WC
VBC-800NI30-WC

User Guide

VISTA
Honeywell

1. Features

- The camera adopt 1/3" SUPER HAD II CCD and advanced Digital Signal Processor (DSP) technology, Enhances picture quality greatly to a horizontal resolution of 540TVL, provides clearer and more vivid image.
- Integrates vari-focal lens allows for versatile utilization.
- The camera provides automatic mode change over by sensing day or night conditions. It can change color mode in the day condition to optimal color and B/W mode in night condition for clear identification.
(Only the IR Cut filter removal Day/Night Camera)
- Integrated efficient powerful IR LED array can capture high-resolution picture even in complete darkness. Night view distance up to 25~30m.
- Light control design. Auto light detection for IR LED switch control and constant current; It is reported on light stability.
- Exquisite design for circuit and structure, incarnates high technology.
- Aluminum structure, all-sealed water proof body.
- Outdoor sunshield housing available.

NIGHT VISION CAMERA 1

2. Caution

- Do not disassemble or modify the camera to avoid possible fire, electric shock or other hazard Please refer repairs or service to a qualified service technician.
- Take care when installing the camera. Avoid scratching the front glass window.
- Avoid Shock, Vibration. Do not install the camera on an unstable surface. It can be damaged by improper use or storage.
- Never point the camera towards direct sunlight or other sources of bright light in order to avoid a dimmer image due to too much backlighting or causing smear.
- Use the camera within the published temperature, humidity, and electrical ranges.
- Provide ample slack in the video and power cables once the camera is installed in its final position.
- Request for service by a qualified technician if the camera malfunctions or generates excessive amounts of heat.

NIGHT VISION CAMERA 2

3. Accessories list

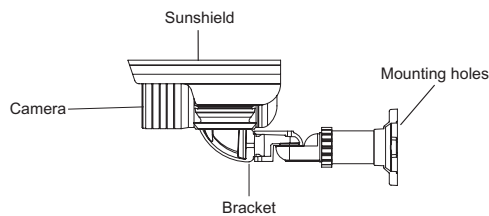
Unpack the camera carefully and make sure that all accessories are included for the installation.

| No. | Items | Quantity |
|-----|-------------|----------|
| 1 | Camera | 1 PCS |
| 2 | Sunshield | 1 PCS |
| 3 | Instruction | 1 PCS |
| 4 | Screws | 1 Bag |

If any parts are missing, please contact your distributor for assistance.

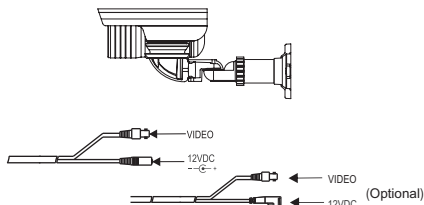
NIGHT VISION CAMERA 3

4. Parts description



5. Installation

1. Fix the mounting bracket to the wall as below figure.
2. Connect the camera with DC12V adapter(+/-) and video output connector, power up and a video picture will be seen at the monitor.

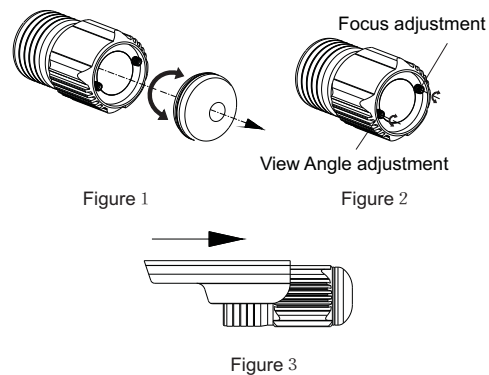


NIGHT VISION CAMERA 4

6. Adjustment

Adjust varifocal lens according to the application. When adjusting, the lens should be dismantled carefully by professional installer.

1. Screw off the camera's back cover (Figure 1)
2. Use a right-angled screwdriver to insert the View Angle or Focus adjustment groove, and adjust the View Angle or Focus respectively to get a fine image effect. (Figure 2)
3. After adjustment finished, gyre the back cover, and cover the sunshield on the camera. (Figure 3)



NIGHT VISION CAMERA 5

7. Specifications

| Model | VBC-800PI30-WC | VBC-800NI30-WC |
|-----------------------|--|-------------------|
| Image Sensor | 1/3" SUPER HAD II CCD | |
| Signal System | PAL | NTSC |
| Effective Pixels | 752(H)x582(V) | 768(H)x494(V) |
| Resolution | 540TV Lines(Color), 600TV Lines(B/W) | |
| Minimum Illumination | 0.1Lux/F1.2(IR LED OFF), 0Lux (IR LED On) | |
| Shutter Speed | 1/50-1/100,000SEC | 1/60-1/100,000SEC |
| S/N Ratio | More Than 50dB | |
| White Balance | Automatic | |
| AGC/BLC | Automatic | |
| Gamma Correction | 0.45 | |
| Sync Model | INT | |
| Lens | Varifocal lens, f=4-9mm | |
| IR LED | Wave Length 850nm, x 36pcs IR LED | |
| IR Beam Distance | 25~30m | |
| IR LED Drive | On: 1~3Lux; Off: 5~6Lux | |
| Video output | 1.0Vp-p, 75Ohm, Sync Negative Polarity | |
| Power Input | DC12V Regulated | |
| Power Consumption | 150mA(IR LED OFF)+280mA(IR LED ON) | |
| Operating Temperature | -10°C ~ +50°C, RH:90% MAX (non-condensing) | |
| Body | Aluminum | |
| Weight | 1000g | |

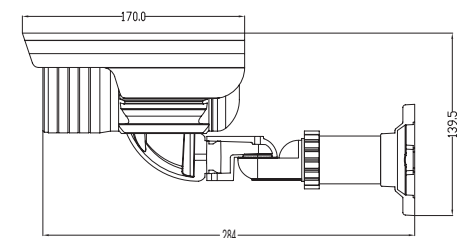
All data and specifications subject to change without notice.

NIGHT VISION CAMERA 6

8. Type Number Overview

| Model | VBC-800PI30-WC | VBC-800NI30-WC |
|---------------|----------------|----------------|
| Signal system | PAL/12VDC | NTSC/12VDC |

9. Dimensions



NIGHT VISION CAMERA 7

Free Manuals Download Website

<http://myh66.com>

<http://usermanuals.us>

<http://www.somanuals.com>

<http://www.4manuals.cc>

<http://www.manual-lib.com>

<http://www.404manual.com>

<http://www.luxmanual.com>

<http://aubethermostatmanual.com>

Golf course search by state

<http://golfingnear.com>

Email search by domain

<http://emailbydomain.com>

Auto manuals search

<http://auto.somanuals.com>

TV manuals search

<http://tv.somanuals.com>