

INDUSTRIAL FANS

MODEL : IND56

• CEILING FAN OWNER'S MANUAL •

Vista Ceiling Fan Lifetime Limited Warranty

Vista extends the following warranty to the original user or consumer purchaser of a Vista Ceiling Fan.

1. If any part of your Vista ceiling fan motor fails at any time during the lifetime of original purchaser (from date of purchase) due to a defect in material or workmanship, we will provide a replacement part free of charge, when the defective fan is returned to our corporate service department. Proof of purchase required. (See number 8 below.)
2. If your fan motor fails at any time within one (1) year after the date of original purchase due to a defect in material or workmanship, labor to repair defects that cannot be made right with new replacements, will be provided free of charge at our corporate service department. You will be responsible for all labor costs for repairs after this one year period. (See number 8 below.)
3. If any other part of your Vista ceiling fan (wood blades, mounting hardware, switches, capacitor, flywheel, etc.) fails at any time within one year after original purchase due to a defect in material or workmanship, we will repair, or, at our option, replace the defective part free of charge for parts and labor performed at our corporate service department.
4. No warranty express or implied, including any warranty of merchantability or fitness for a particular purpose is made in respect to light fixtures, glassware, light bulbs, or the finish on any metal or wooden portion of the fan. Because of varying climatic condition in the United States, this warranty does not cover any change in finish including: rusting pitting, corroding, tarnishing or peeling. Finishes of this type give their longest useful life when protected from varying weather conditions.
5. This warranty is voided if your fan is not purchased from an authorized Vista dealer and installed in the United States.
6. This warranty doesn't apply in cases of improper installation, failure of supporting devices not supplied as original mounting hardware, neglect, accidents, misuse, exposure to extremes of heat or humidity, or as a result of modification to the original product, all costs of removal and reinstallation of the fan are the expressed responsibility of the original user/purchaser. A certain amount of wobble is normal and should not be considered a problem. Servicing performed by unauthorized persons will render this warranty invalid.
7. Vista reserves the right to modify or discontinue any product at any time and may substitute similar parts under this warranty.
8. If you need to return your fan to our corporate service department, a fee of \$14.00 must accompany your fan to cover handling. This fee must be in the form of check or money order made payable to VISTA CEILING FANS. Should you require service at our corporate service department, you **MUST FIRST WRITE FOR A RETURN AUTHORIZATION TO:**

Vista Ceiling Fans P.O. Box 730 Fenton, Missouri 63026

IMPORTANT: DO NOT SEND FAN TO P.O. BOX ADDRESS. BE SURE TO STATE COMPLETELY THE NATURE OF THE PROBLEM

9. Under no circumstance should a product be returned without prior authorization from VISTA CEILING FANS and then only upon the issuance of a returned goods authorization number. To avoid damage in transit, all products should be returned in the original shipping carton, as Vista will not be responsible for any such damage. Authorized returns should be shipped freight and insurance prepaid to Vista. Vista will ship repaired or replaced fan prepaid back to you.
10. A copy of the sales receipt must be sent with fan being returned as proof of purchase. Please specify in writing the nature of the problem you are having with the fan, include your name and return address on the inside flap of the carton.
11. It is agreed that any repair or replacement is the exclusive remedy from Vista. There is no other expressed warranty. Vista Ceiling Fans hereby disclaims any and all implied warranties, including, but not limited to, those of merchantability and fitness for a particular purpose to the extent permitted by law. The duration of any implied warranty which cannot be disclaimed is limited to the warranty period as specified in the express warranty. Some states do not allow limitation on how long an implied warranty lasts, so the above limitation may not apply to you. Vista Ceiling Fans should not be liable for incidental, consequential, or special damages arising out of/in connection with product use or performance except as may otherwise be accorded by law. Some states do not allow the exclusion of incidental or consequential damages, so the exclusion or limitation may not apply to you. This warranty gives you special legal rights and you may also have other rights which vary from state to state. This warranty supersedes all prior warranties.

Date Purchased _____ Store Purchased _____

Model Number _____

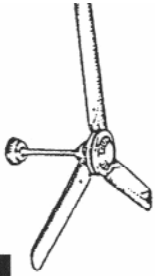
WARNING: Read and follow these instructions carefully and be mindful of all warnings shown throughout.

GENERAL INSTALLATION & OPERATION INSTRUCTIONS

IMPORTANT SAFEGUARDS:

1. To ensure the success of the installation, be sure to read the instructions and review the diagrams thoroughly before beginning.
2. To avoid possible electric shock, be sure electricity is turned off at the main power box before wiring. All electrical connections must be made in accordance with local codes, ordinances and/or the National Electric Code. If you are unfamiliar with the methods of installing electrical wiring and products, secure the services of a qualified and licensed electrician as well as someone who can check the strength of the supportive ceiling members and make the proper installation(s) and connections.
3. Make sure that your installation site will not allow rotating fan blades to come in contact with any object. Blades should be at least 7 feet from floor when fan is operating.
4. If possible, mount ceiling fan on a ceiling joist - the joist must be able to support the motion and weight of the moving fan. If the fan will be mounted on a ceiling outlet box, a 4" x 2-1/8" deep METAL octagon box is required; one UL listed as "suitable for fan support". The box and its supporting members must be able to support the moving weight of the fan (at least 35 lbs.). The box must not be able to twist or work loose. **DO NOT USE PLASTIC BOXES.** Installation on a concrete ceiling should be performed by qualified personnel.
5. Blades should be attached after motor housing is hung and in place. Fan motor housing should be kept in carton until ready to be installed to protect its finish. If you are installing more than one ceiling fan, make sure that you do not mix fan blade sets.
6. After making electrical connections, spliced conductors should be turned upward and pushed carefully up into outlet box. The wires should be spread apart with the grounded conductor and the equipment-grounding conductor on one side of the outlet box, and the "HOT" wires on the other side.
7. Electrical diagrams are for reference only. Light kits that are not packed with the fan must be UL listed and should be installed per the light kit's installation instructions.
8. After fan is completely installed, check to make sure that all connections are secure to prevent fan from falling and/or causing damage or injury.
9. The fan can be made to work immediately after installation - the bearings are adequately charged with grease so that, under normal conditions, further lubrication should not be necessary.

IMPORTANT SAFETY PRECAUTIONS



WARNINGS:

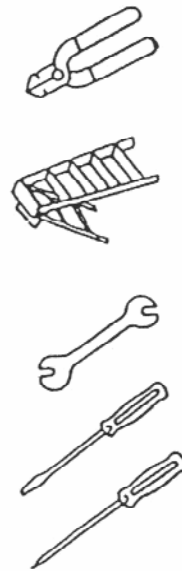
- Disconnect power by removing fuse or turning off circuit breaker before installing the fan and/or optional lighting.
- To reduce the risk of fire, electrical shock, or personal injury, mount only to an outlet box marked "acceptable for fan support".
- To reduce the risk of fire, electrical shock, or personal injury, only use this fan with an appropriate speed control device designed for use with ceiling fans, if you choose a wall control. **DO NOT USE A SIMPLE INCANDESCENT LIGHT DIMMER.**
- To reduce the risk of personal injury, do not bend the blade brackets when installing them, balancing the blades or cleaning the fan. Do not insert any object(s) between rotating fan blades.

NOTE:

The important precautions, safeguards and instructions appearing in this manual are not meant to cover all possible conditions and situations that may occur. It must be understood that common sense, caution and carefulness are factors which cannot be built into this product. These factors must be supplied by the person(s) installing, caring for and operating the unit.

TOOLS AND MATERIALS REQUIRED

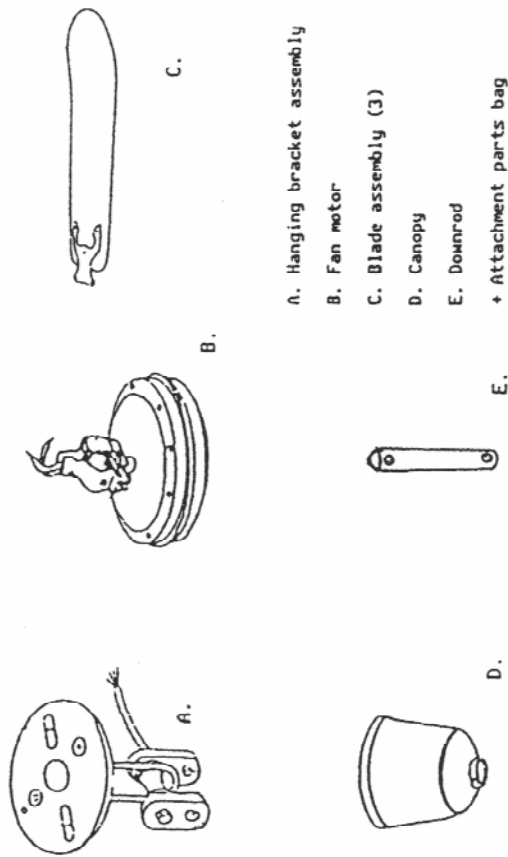
- Phillips screw driver
- Blade screw driver
- Wrench or pliers
- Step ladder
- Wire cutter
- Wiring supplies as required by electrical code



UNPACKING YOUR FAN

1. Unpack your fan and check the contents. Do not discard the carton. If warranty, replacement or repair is ever necessary, the fan should be returned in original packing. Remove all parts and hardware.

2. Examine all parts. You should have the following:

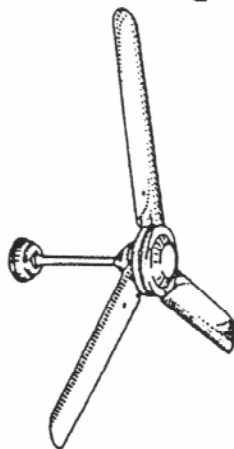


INDUSTRIAL FAN USES

If using your fan(s) to reclaim heat lost at the ceiling during winter months, install at the highest point of the ceiling, but at least 36" down into the room. Bringing the warm air down in winter can yield considerable heating cost savings. Use 1 fan for each 3500 sq.ft. of floor space, assuming a 20ft. high ceiling. For higher ceilings increase the number of fans proportionately.

When using the fan(s) primarily for cooling, use a longer downrod to position the fan(s) lower in the room, but never lower than 7ft. from the floor or within the requirements of local codes. Unlike residential ceiling fans that run in reverse, sending air up and across the ceiling and down the walls to reclaim heat, industrial fans always blow down because there are usually no walls or low ceilings to aid in directing the air movement.

PARTS SUPPLIED



Assembled view

PREPARATION:

Verify you have all parts before beginning the installation. Check foam insert closely for missing parts. Remove motor from packing. To avoid damage to finish, assemble motor on soft padded surface or use the original foam insert in motor box.

Caution:

To avoid possible electrical shock, be sure electricity is turned off at the main power box before wiring. All wiring must be in accordance with National and Local Electrical Codes and the ceiling fan must be grounded as a precaution against possible electric shock.

1. Locate ceiling joist where fan is to be mounted, being sure location agrees with the requirements in the minimum clearance section of the guide. Wood joist must be sound and of adequate size to support a 35 pound load.
2. If not already present, mount a UL listed outlet box marked "suitable for fan support" following the instructions provided with the outlet box. The outlet box must be able to support a minimum of 35 pounds.

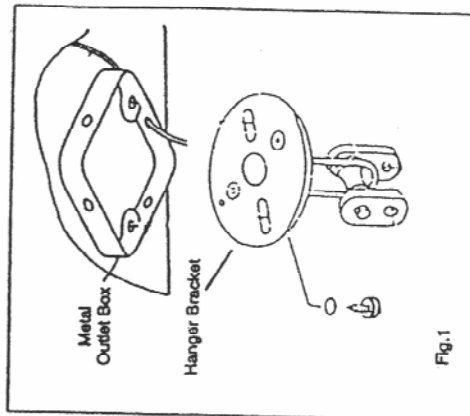


Fig. 1

3. Attach hanger bracket to outlet box using screws provided with the fan. (Fig. 1)

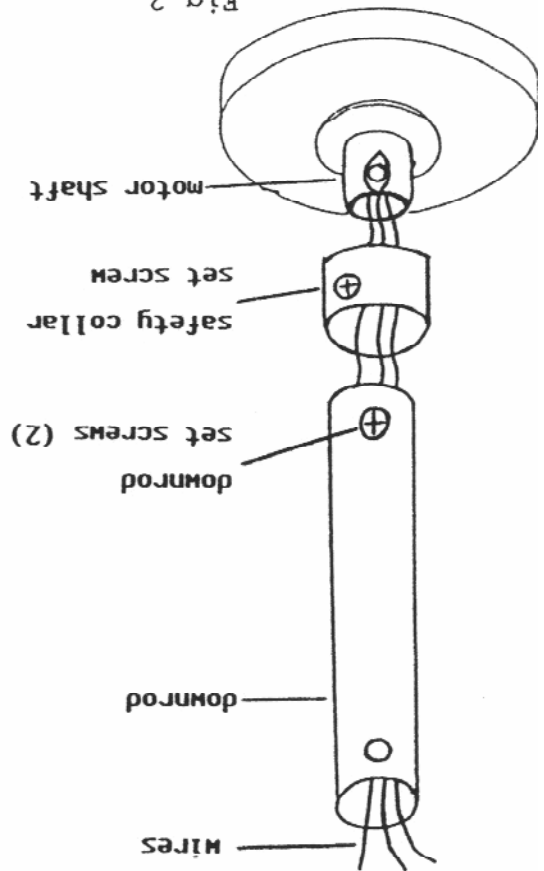
INSTALLATION:

Installing the downrod - (Fig. 2)

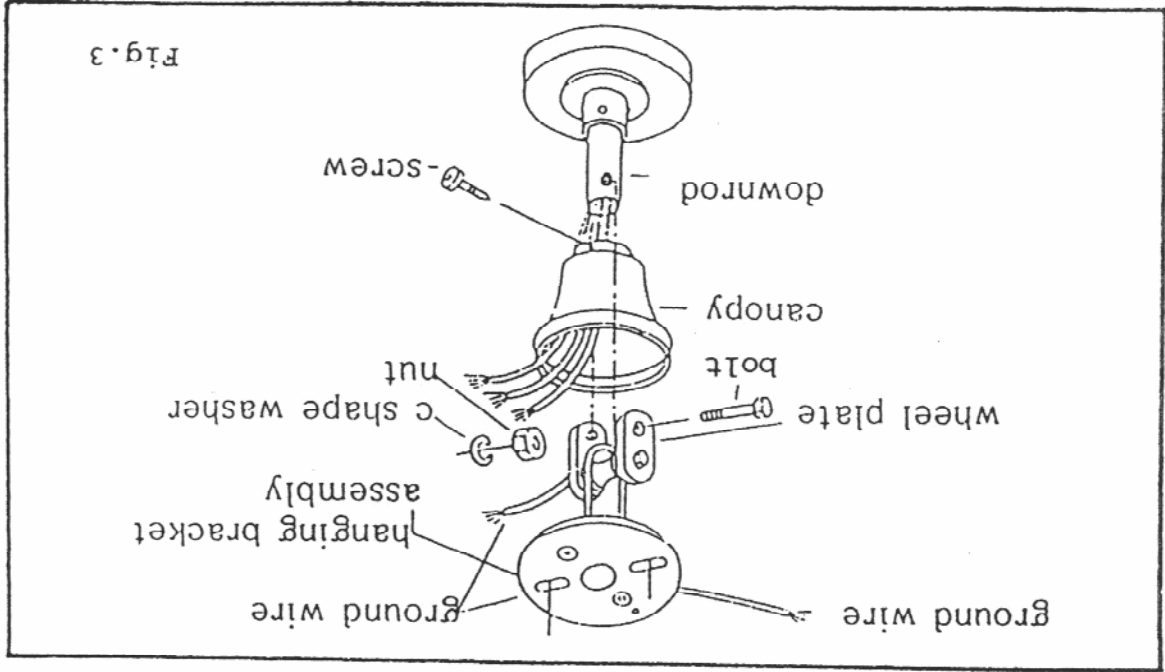
1. Feed the fan's wires through the downrod and insert the end of the downrod with the 2 set screws over the fan's motor shaft. (Wires will need to be lengthened when an optional long downrod is used)
2. Tighten downrod's set screws into holes in the motor shaft. Be sure the set screws are very tight!
3. Slide safety collar over the downrod down to top of motor and tighten safety collar set screw against the downrod covering the downrod set screws tightened in step 2, above.

Hanging the fan - (Fig.3)

1. Feed wires through the canopy and slide canopy over downrod to rest on top of safety collar. (Remove canopy set screw to keep from scratching the downrod)
2. Raise fan into position and align holes in top of downrod with holes in lower half of wheel plate. Secure by inserting bolt through wheel plate and downrod and tightening nut on end of bolt. Install "C" washer on end of bolt to keep nut from coming off.
3. Check all nuts, bolts and screws to be sure they are tight before going on to the electrical connections.



4.



ELECTRICAL CONNECTIONS

ELECTRICAL CONNECTIONS: ★ Be sure electricity is turned off at the main power box before wiring.

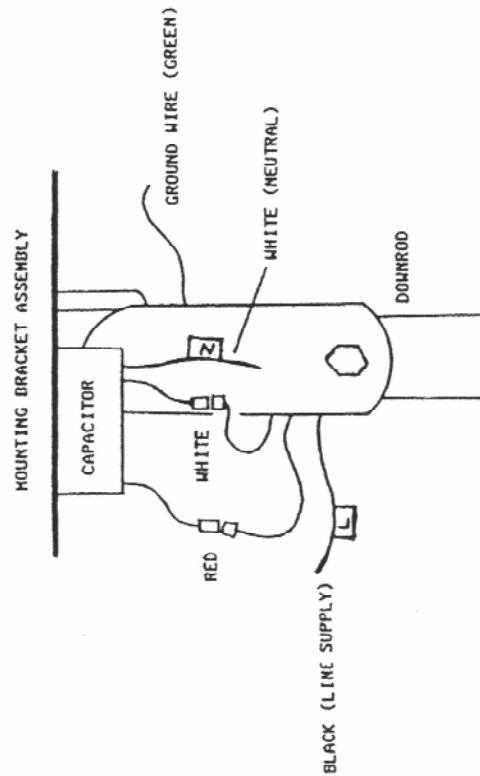
★ Your industrial ceiling fan is a single speed unit. An optional solid state speed control can be used to control this fan and others wired on the same circuit. Any optional control must be rated to handle the total amperage draw of the fans it controls. Follow the installation instructions supplied with the solid state control. The wiring diagram below shows the use of a typical solid state speed control.

When such a control is used, it should be wired "in series" with the hot supply wire to the fan.

CONNECTING FAN'S INTERNAL WIRING -

1. Connect red wire from fan motor to red wire from capacitor (attached to the mounting bracket assembly) by snapping male and female halves of wire connectors together.
2. Connect white wire from fan motor to white wire from capacitor using the same procedure as red wires from step 1 above.
3. Connect all green ground wires together and secure to electric box grounded to the building's ground circuit.
4. The remaining bare ended black and white wires connect to the 120v supply wires in the electric box using wire nuts. Note: Speed control is connected in series with the black supply wire if a speed control is used.

RESTORE POWER TO THE CIRCUIT ONLY AFTER ALL INSTALLATION STEPS, INCLUDING BLADE ATTACHMENT, ARE COMPLETE.



RAISE CANOPY UP TO COVER HANGING BRACKET ASSEMBLY AFTER ALL ELECTRICAL CONNECTIONS ARE COMPLETE AND SECURE BY TIGHTENING SET SCREW ON CANOPY.

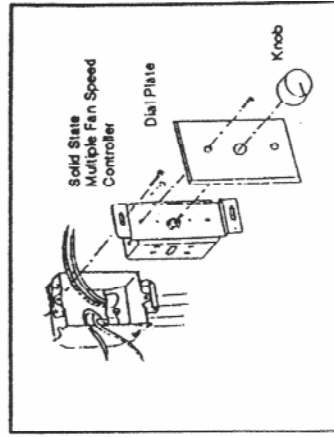
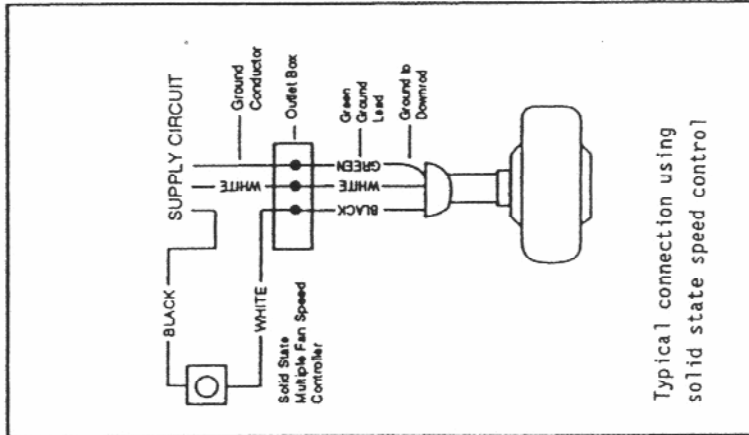
ELECTRICAL CONNECTIONS

ELECTRICAL CONNECTIONS: ★ Be sure electricity is turned off at the main power box before wiring.

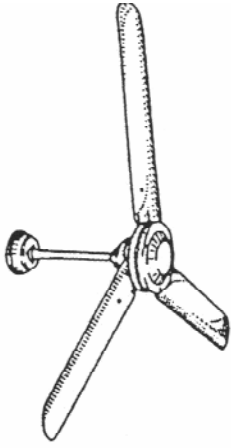
Installing Solid State Multiple Fan Speed Controller

WARNING
TO AVOID POSSIBLE ELECTRICAL SHOCK, BE SURE ELECTRICITY IS TURNED OFF AT THE MAIN FUSE BOX BEFORE WIRING

1. Connect the solid state multiple fan speed controller in series with the fan motor and the line voltage.



ALWAYS REFER TO INSTALLATION INSTRUCTIONS SUPPLIED WITH SPEED CONTROL TO MAKE SPECIFIC ELECTRICAL CONNECTIONS.



BLADE ATTACHMENT

BLADE ATTACHMENT:

Blade bracket is already riveted to the blade. Bracket should be on top when attached to the motor, creased edge of blade should bend down towards the floor. (Fig. 4)

1. Attach each of the 3 blades to the motor using 2 screws for each blade. Use hex/philips head screws with lock washers attached. Do not tighten any blade screws until all are in place. Final tightening is recommended using wrench or nut driver to make sure lock washers are fully compressed. (Fig.5)

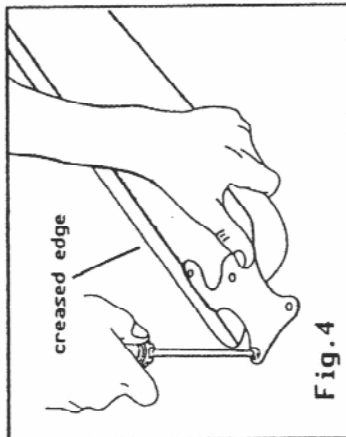


Fig. 4

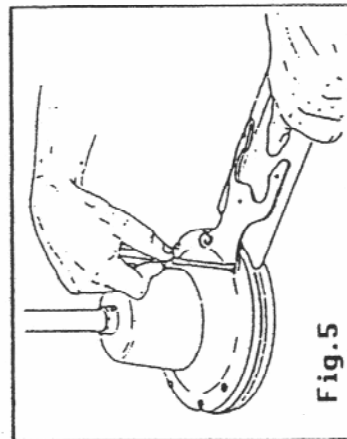


Fig. 5

SPECIFICATIONS

MOTOR: 188 X 15mm high torque
BLADE SPAN: 56"
BLADES: 3 metal with trailing edge turn down
DOWNROD: 24" SUPPLIED
SPEED/RPM: SINGLE SPEED/300 RPM FREE RUN
CFM: 15,000
CURRENT DRAW: .75 AMPS
LEAD WIRES: 6FT.
STARTING CAPACITOR: 4.5uF 280V 50/60Hz
NET WEIGHT: 13.25 lbs.

EFFECTIVE AREA SERVED BY EACH FAN INSTALLED FOR VARIOUS CEILING HEIGHTS

CEILING HEIGHT	EFFECTIVE SQ. FT. AREA SERVED
20FT	3500
30FT	2800
40FT	1700

IT IS HIGHLY RECOMMENDED THAT YOU RETAIN THE ORIGINAL PACKING TO AVOID IN-TRANSIT DAMAGE. SHOULD YOU NEED TO SHIP YOUR FAN.

5 SPEED SOLID STATE INDUSTRIAL CEILING FAN CONTROL

THIS "SOLID STATE" FAN SPEED CONTROL IS DESIGNED TO BE USED WITH SINGLE SPEED INDUSTRIAL TYPE CEILING FANS ONLY. DO NOT USE WITH MULTI SPEED HOUSEHOLD CEILING FANS.

MULTIPLE FANS CAN BE OPERATED WITH THIS CONTROL AS LONG AS THE TOTAL AMP DRAW OF THE FANS DOES NOT EXCEED THE AMP RATING OF THE CONTROL.

CONTROL IS INTENDED FOR USE INDOORS AND IS NOT RATED FOR USE IN ANY DAMP OR WET LOCATION.

ALL INSTALLATION AND WIRING MUST BE IN ACCORDANCE WITH THE APPLICABLE ELECTRICAL CODES.

IF NOT CERTAIN ABOUT THE INSTALLATION AND USE OF THIS CONTROL, PLEASE REFER TO A QUALIFIED ELECTRICIAN.

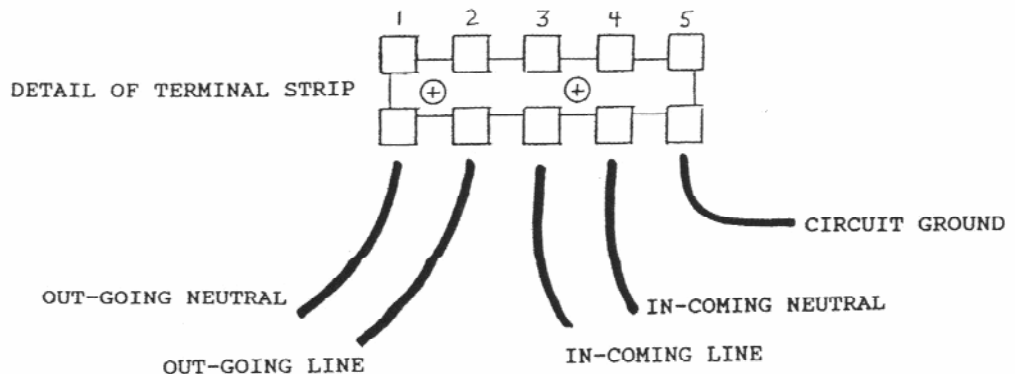
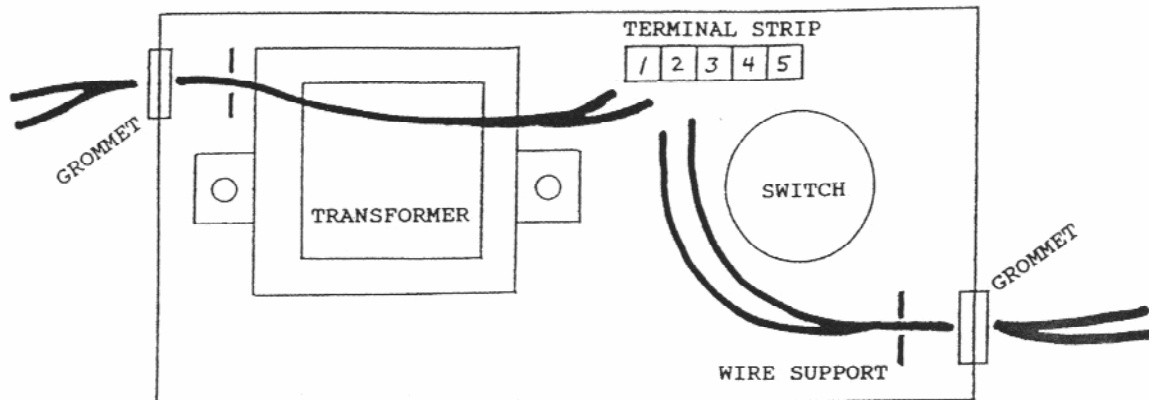
*** CONTROL INSTALLATION ***

CONTROL IS CONNECTED IN SERIES WITH ONE OF THE SUPPLY LINES TO THE CEILING FAN CIRCUIT.

1. DIRECT IN-COMING AND OUT-GOING WIRES THROUGH THE GROMETS IN EITHER END OF THE CONTROL'S CASE.
2. HOLD WIRES IN PLACE BY INSERTING THEM IN THE WIRE STANDS MOLDED INTO THE CONTROL'S CASE.
3. INSERT BARRED ENDS OF IN-COMING "LINE" (HOT) AND "NEUTRAL" WIRES INTO TERMINALS #3 AND #4 AND TIGHTEN WITH SMALL FLAT BLADE SCREW DRIVER FROM TOP OF TERMINAL.
4. INSERT BARRED ENDS OF OUT-GOING "LINE" (HOT) AND "NEUTRAL" WIRES INTO TERMINALS #2 AND #1 AND TIGHTEN AS ABOVE.
5. INSERT BARRED END OF CIRCUIT'S GROUND INTO TERMINAL #5 AND TIGHTEN AS ABOVE.

MAKE SURE ALL CONNECTIONS ARE SECURE, RESTORE POWER AND TEST OPERATION.

OPEN CONTROL BY LOOSENING SCREW AT EACH END OF THE CONTROL'S COVER.



MOUNT METAL BACK PLATE OF CONTROL TO WALL, POST OR PANEL PER APPROVED METHODS ALLOWED BY APPLICABLE ELECTRICAL CODES.

Free Manuals Download Website

<http://myh66.com>

<http://usermanuals.us>

<http://www.somanuals.com>

<http://www.4manuals.cc>

<http://www.manual-lib.com>

<http://www.404manual.com>

<http://www.luxmanual.com>

<http://aubethermostatmanual.com>

Golf course search by state

<http://golfingnear.com>

Email search by domain

<http://emailbydomain.com>

Auto manuals search

<http://auto.somanuals.com>

TV manuals search

<http://tv.somanuals.com>