



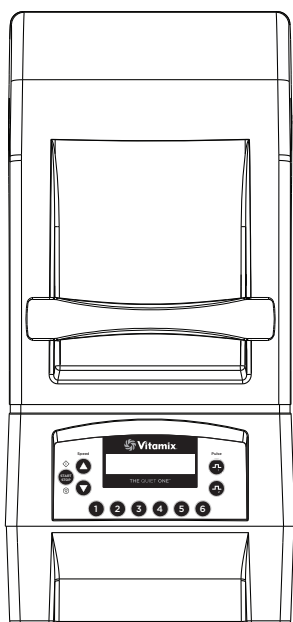
## The Quiet One®

### Blending Station

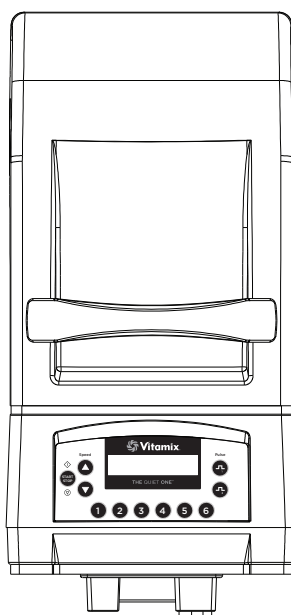
ALL MODELS

# Use and Care Manual

Read and save these instructions



**ON-COUNTER**



**IN-COUNTER**

ENGLISH

ESPAÑOL

FRANÇAIS



# CONTENTS

<b>English</b> .....	<b>1</b>
<b>Español</b> .....	<b>29</b>
<b>Français</b> .....	<b>57</b>
<b>Important Safeguards</b> .....	<b>4</b>
<b>General Instructions</b> .....	<b>6</b>
<b>Control Panel</b> .....	<b>8</b>
<b>Programming</b> .....	<b>10</b>
Programming Pre-Set Buttons	
Programming Custom Chip	
Resetting Pre-Set Buttons	
Recipe Options	
<b>Machine Assembly</b> .....	<b>14</b>
Compact Cover	
Lid	
Blade Assembly	
<b>Installation</b> .....	<b>18</b>
<b>Caring for your Machine</b> .....	<b>20</b>
<b>Troubleshooting</b> .....	<b>22</b>
<b>Warranty</b> .....	<b>24</b>
<b>Parts List</b> .....	<b>26</b>
<b>Product Specifications</b> .....	<b>28</b>

# IMPORTANT SAFEGUARDS

1. Read all instructions.
2. To protect against risk of electrical shock, do not put motor base in water or other liquid.
3. Close adult supervision is necessary when machine is used by or near children.
4. Unplug the power cord from the wall outlet when the Vitamix® machine is not in use, before disassembling, when putting on or taking off parts, and before cleaning, other than washing the container.
5. Never come in contact with moving parts, especially the blades.
6. Do not operate any machine that malfunctions, has a damaged cord or plug, has been dropped or is damaged in any manner. If you purchased your equipment in the U.S.A., call **Vitamix Technical Support, 800-886-5235** for examination, repair, possible replacement, or electrical or mechanical adjustment. If you purchased outside of the U.S.A., please contact your local authorized Vitamix Distributor, or contact the Vitamix International Division at +1.440.782.2450 or email: [international@vitamix.com](mailto:international@vitamix.com) for a distributor near you.
7. Do not use attachments not recommended or sold by Vitamix. Doing so will void the warranty. **Alteration or modification of this product in any form is not recommended as such may result in bodily injury.**
8. **Do not use outdoors.**
9. Do not let the power cord touch hot surfaces or hang over edge of table or counter.
10. Do not place the machine on or near a hot gas or electrical burner, in a heated oven, or allow machine to touch hot surfaces. External heat sources can damage the machine.
11. Keep hands and utensils out of container while motor is running to prevent the possibility of severe personal injury and/or damage to the Vitamix machine. A rubber spatula may be used, but only when the Vitamix machine is not running.
12. **WARNING: Blades are sharp. Handle carefully.**
  - Never try to remove the blades while container is sitting on the motor base.
  - Do not operate with loose, nicked or damaged blades – replace immediately.
  - To reduce the risk of personal injury, never place blade assembly on motor base without the Vitamix container properly attached.
13. The maximum capacity is equivalent to the ounces (liters) listed on the container, i.e., 48 oz. / 1,4 L, and is substantially less with thick mixtures.
14. **Always operate the Vitamix machine with the lid in place and securely attached.**
15. Display window area will scratch when contacted with a scouring pad or sharp object. Use a soft cloth to wipe the control panel area clean.
16. The machine cannot be cleaned with a water jet.
17. It is recommended that for a 120 V installation, you have at least one 20 amp outlet per machine, available within 6 ft. / 1,8 m of the Vitamix. 220 V and 100 V units require a dedicated line. **Consult an electrician for proper electrical needs.**
18. **CAUTION:** Turn power off or unplug the machine before touching movable parts. Shut off power switch at night or whenever machine will be left unattended.

## Save These Safety Instructions

- The Vitamix blender's U.S.A. power cord comes equipped with a three-prong (grounding) plug which mates with a standard three-prong wall outlet (Figure A). **This cord will vary for countries outside the United States of America.**
- Adapters (Figure B) are available for two-prong outlets. Do not cut or remove the third (ground) prong from the plug or power cord.
- Consult your electrician if you are not sure if the wall outlet is grounded through the building wiring. With a properly grounded two-prong wall outlet, ground the machine by attaching the tab on the adapter to the wall outlet cover by means of the screw in the center of the cover (Figure B).



### WARNINGS!

Three-prong adapters are not to be used in Canada.

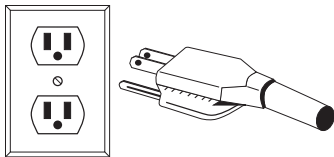


FIGURE A

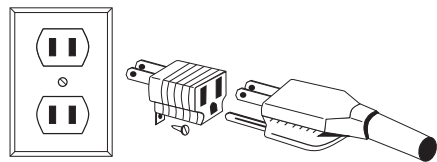


FIGURE B

### IMPORTANT NOTES!

The instructions appearing in this Use and Care Manual cannot cover every possible condition and situation that may occur. Common sense and caution must be practiced when operating and maintaining any appliance.

# GENERAL INSTRUCTIONS

## Instructions for using the Pre-Set Program Buttons

The following is the basic settings of the six Pre-Set buttons for The Quiet One®. These programs, numbered 1 through 6, are blending cycles designed for the most commonly made drinks. Depending on the viscosity of the drink you are creating, selecting one of the Pre-Set programs will run the machine for a full cycle. The machine will stop by itself when the cycle is complete. A cycle varies in speed and length. Your machine's Pre-Set options may differ due to program revisions or due to the difference of recipes, your results may also vary.

**BUTTON 1: General Purpose / Smoothie** – blends smoothies and thin drinks consisting of juice and ice to a creamy consistency. (:18)

**BUTTON 2: Double Smoothie** – blends similar drinks to that of button 1 but at larger volumes. (:18)

**BUTTON 3: Frozen Coffee and Juices** – blends light coffee drinks to a creamy consistency. (:18)

**BUTTON 4: Ice Cream Drinks** – blends drinks containing hard ice cream to a thick shake consistency. (:28)

**BUTTON 5: Double and hard-to-blend ice cream drinks.** (:20)

**BUTTON 6: Thick Hard-to-blend Smoothie** – blends thick frozen fruit & hard ingredients for a thick but consistent smoothie. (:28)

## Blending Tips

1. Place liquids and soft foods in the container first, solid items and ice last. Although not necessary for processing, you may want to cut or break food into smaller pieces for more precise measuring of ingredients. Thawed or partially thawed fruit is recommended.
2. As a general rule, compared to other blenders, you do not need as much ice to make an equally frozen drink in The Quiet One®. If your recipe freezes up, try reducing the amount of ice.
3. Set the container on the motor base by aligning it over the centering pad anchored to the base. **(Motor must be completely stopped before positioning container.)** Containers are not to be used for hard, dry materials. Avoid running your machine with the container empty.
4. Always use a lid that is securely attached when blending.
5. Plug the machine into the nearest outlet (if unplugged). Press the On/Off switch to on. Select desired programmed setting by pressing any of the Pre-Set buttons 1 through 6. The machine will immediately begin to cycle through the selected program and turn off when the program is complete. **(NOTE: Each button has a different pre-selected combination of speed and length for blending.)**

6. Once one of the six Pre-Set program buttons is pushed, the machine will start and stop automatically. By pressing another Pre-Set button, the machine will stop the blending cycle.
7. When the cycle is complete, the blender stops. **Wait until blades come to a complete stop before removing the lid and/or container from the motor base.**
8. Remove the container, pour, garnish and serve the drink.
9. Press the On/Off power switch to off when not in use.

## Maintenance Tips

- **Never bang the container against a surface to loosen the ingredients.**  
Remove the container from the base and use a rubber spatula to remove thick mixtures from the bottom of your container.
- **Never shake or rattle a container while in use.**
- **Never remove the container before the machine has come to a complete stop.**
- **Never start the motor before the container is in place.**



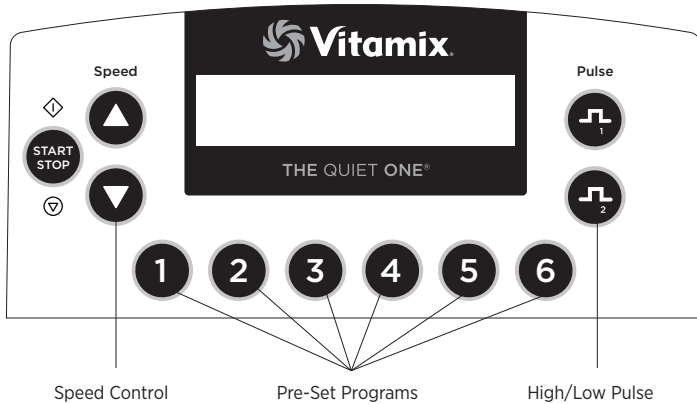
## WARNINGS!

- Turn power off or unplug the machine before touching movable parts. Shut off power switch at night or whenever machine will be left unattended.
- If you detect a change in the sound of the machine or if a hard or foreign object comes into contact with the blades, do not serve the drink. Inspect your blade assembly for loose, nicked or missing parts. If parts are loose, missing, or nicked, replace with new blade assembly. (See page 17.)

## IMPORTANT NOTES!

- Check your blades daily for loose, nicked or missing parts. If you find something is loose, nicked or missing, replace the blade assembly before use (see page 17). Do not tighten hex-headed screw (on top of blade assembly). If loose, replace blade assembly immediately.
- The instructions appearing in this Use and Care Manual cannot cover every possible condition and situation that may occur. Common sense and caution must be practiced when operating and maintaining any appliance.
- On all units, the built-in thermal protector keeps track of how hot the motor gets and will warn the user and eventually shut down the motor if the motor is overheating. When overheated, the display will instruct the user to remove the container and run the machine until cool. This takes about two minutes. See page 23, "Cooling the Motor," for complete instructions. When the thermal protector shuts the motor off, review your processing techniques and your instructions. Your recipes may be too thick or have too much material in them. Consider adding more liquid and consult Vitamix® Customer Service or your local Vitamix Distributor for further assistance.

# CONTROL PANEL



**On/Off Power Switch:** Located on the back of the motor base, the On/Off switch controls the power to the machine. While plugged in, switch to on to ready the machine for blending. Shut off the power switch at night or whenever the machine will be left unattended.

**Start /Stop Button:** Pressing Start (◇)/Stop (▽) once starts and runs the machine and turns the blade. Press Start/Stop button again to stop the machine and the blade.

**Speed Buttons:** Press the ▲ button to gradually increase the speed of the blade in increments of 1%, up to 100%. Press the ▼ button to gradually decrease the speed of the blade in increments of 1%, down to 7%. Speed is used to set the blending speed of the Pulse buttons (see Instructions, page 9) and the Start/Stop button.

**Pre-Set Program Buttons:** These buttons, numbered 1 through 6, are pre-programmed blending cycles designed for the most commonly made drinks. Depending on the viscosity of the drink you are creating, pressing one of the six Pre-Set program buttons will run the machine for a full cycle. The machine will stop by itself when the cycle is complete. A cycle varies in speed and length; see the Instructions on page 6 for a complete description of the range of each Pre-Set button. Each button can be reprogrammed to any recipe through custom programming or by reprogramming to any of the 34 available recipes. See page 10 for instructions on creating custom programming. Due to difference of recipes, your results may vary.

## IMPORTANT NOTES!

**Start/Stop Button:** Pressing one of the Pre-Set program buttons, while the motor is running, will stop the machine.

**Speed Button:** These settings will reset if the power is shut off.



**Display Window:** This area, depending on which button is pressed, displays a variety of operation messages. A “Ready” message appears when there is power to the machine.

**Owner Controls:** The owner control panel is accessible by activating the Power Switch located on the back of the motor base while depressing button 2.

VITA-MIX CORP  
VERSION #201

TEMP	COUNT	TOTAL
NORM	25	100

TIMER	HR:	MIN:	SS
	0:	10:	33

VITA-MIX ADVANCE  
PROGRAM #201

1 TO OVERWRITE  
CURRENT PROGRAM

- Once the unit powers up, the display will cycle through three screens. The first indicates the current program version. The second indicates which program is running on the machine. The third will indicate the motor temperature (NORM, WARM, HOT), and the total hours of operation, including production and testing. This time can not be cleared. Once this screen is reached, button 2 can be released.
- Depress button 2 within 12 seconds to scroll through the menu settings.
- The first press will reveal the timer. Total operation is recorded in hours, minutes and seconds; including production and testing. This time cannot be cleared.
- The second press will reveal the name of the program controlling the Pre-Set buttons. If you are using the Advance® settings, this will read “VITA-MIX ADVANCE PROGRAM.”
- The third press will reveal an option to reset the Pre-Set buttons to the original factory settings.

**Pulse Buttons:** The pulse provides a quick increase or decrease in speed of the blade when blending or refreshing a drink. Press  $\uparrow$  to increase the motor to speeds that range from 51%-100%. Press  $\downarrow$  to decrease the motor speed down to a range of 50%-7%. The Pulse button will override the running program as long as it is depressed. Once released, the original program continues its cycle.

- The Pulse High (  $\uparrow$  ) and Low (  $\downarrow$  ) speed is set by using the Speed buttons. To set, while pressing and holding a Pulse button, press the Speed  $\blacktriangle$  or  $\blacktriangledown$  button until the desired motor speed is reached. The pulse speed will remain at this setting until changed again with the Speed buttons.

# PROGRAMMING

The Quiet One® is pre-programmed with an Advance® program which is optimized for the Advance® container. The program can be customized by using the control panel, or a programming chip or programmer software kit available from Vitamix®. Call your distributor or customer service for more information.

## Programming Pre-Set Buttons

1. Access the 34 stored programs by activating the power switch located on the back of the motor base while depressing the High Pulse button. The display will say “BUTTON SET UP”
2. Press the Speed ▲ or ▼ buttons to scroll through the “Recipe” numbers until you reach the one you want. (For a description of each recipe, see page 12.)
3. Press the Pre-Set button that you want to program for the recipe selected.

BUTTON SET UP  
RECIPE 1

BUTTON SET UP  
RECIPE 17

BUTTON SET UP  
RECIPE 17----->1

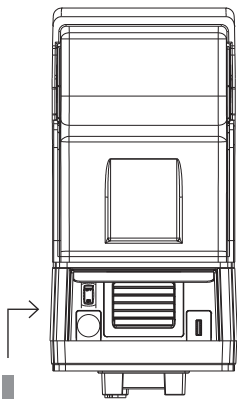
READY

### For Example: If you wanted to program button 1 with recipe #17:

1. After accessing the stored programs as described in step 1, the display window will say “BUTTON SETUP.”
2. Press the Speed ▲ button until the screen displays “Recipe 17.”
3. Press the 1 button to apply Recipe 17.
4. Either continue programming the other five buttons or press the High Pulse button to exit and continue blending.

## Programming your Machine with a Custom Chip

1. Turn on the machine.
2. Remove the container and rotate the machine to the rear so that you can see the programming port.
3. With the rear of the machine facing towards you, insert the custom programmed chip (with the words, “THIS SIDE FACING TO THE FRONT OF THE MACHINE” toward the left) into the port located on the right hand side of the machine opposite the On/Off switch. Push gently until chip engages into the port. The display window will read “NEW MODULE.”
4. Within 10 seconds, the six Pre-Set buttons will be re-programmed and the display window will read “Saved” then “Ready.”
5. Remove the programming chip, return it to the original package and store in a safe, easily accessible spot.
6. Press one of the six Pre-Set buttons to reveal, in the display window, the name of the program/drink.



Custom Programmed Chip

## Resetting the Pre-Set Buttons to the original factory settings

1. Access the Owner Controls by activating the power switch located on the back of the motor base while depressing button 2.
2. Once the unit powers up, it will cycle through three screens then stop on the motor status screen. Depress button 2 again, within 12 seconds, to scroll through the menu settings.
3. Scroll using button 2. The screen will display "1 TO OVERWRITE CURRENT PROGRAM". Depress button 1 to reset to the original factory settings.

### IMPORTANT NOTES!

**Programming Chip:** If the above programming steps are taken and the custom programming does not appear with the first blend cycle, turn the chip 180° (side-to-side) and try again.

# PROGRAMMING

## Recipe Options Arranged by recipe number (#) and drink type:

#	DRINK TYPE	DESCRIPTION	RUN TIME
1	General Purpose/ Smoothie	Ramps up to 60% for 18 seconds	:18
2	Double Smoothie	Ramps up to MED (45%) for 6 seconds, then (58%) for 8 seconds, then HIGH (85%) for 4 seconds	:18
3	Frozen Coffee & Juices	Ramps up to LOW (25%) for 4 seconds then to MED (60%) for 14 seconds	:18
4	Ice Cream Drinks	Ramps up to MED (55%) for 5 seconds, then LOW (25%) for 7 seconds, then (12%) for 16 seconds	:28
5	Double & Hard to Blend Ice Cream Drinks	Ramps up to MED (51%) for 10 seconds, then ramps up to HIGH (85%) for 10 seconds	:20
6	Thick Hard-To-Blend	Ramps up to LOW (15%) for 7 seconds, then gradually ramps up to HIGH (82%) for 21 seconds	:28
7	Medium Smoothie	Gradually ramps up to HIGH (100%)	:20
8	Hard to Blend Smoothie	Gradually ramps up to HIGH (100%)	:25
9	Thick Smoothie	Ramps up to MED (50%) for 15 seconds, then ramps up to HIGH (100%) for 20 seconds	:35
10	Mix, Light Juice	Runs on LOW (10%)	:04
11	Heavy Smoothie	Runs at MED-HIGH (75%), ramps up, back down, then up to HIGH (100%)	:40
12	Hard to Blend Smoothie	Runs on LOW (7%) for 25 seconds, quickly ramps up to HIGH (100%), then decreases to LOW (7%), and quickly back to HIGH (100%)	:40
13	Regular Iced Coffee	Quickly ramps up to HIGH (100%)	:09
14	Double Iced Coffee	Quickly ramps up to HIGH (100%)	:13
15	Thick Coffee	Ramps up to MED (55%), gradually decreases to LOW (7%), then quickly up to HIGH (100%)	:30
16	Multiple Coffees	Ramps up to LOW (25%), gradually ramps up to MED (50%), then up to HIGH (100%)	:25

17	<b>Multiple Coffees 2</b>	Ramps up to LOW (25%), gradually ramps up to MED (50%), then up to HIGH (100%)	:30
18	<b>Small Coffee</b>	Gradually ramps up to MED-HIGH (75%)	:14
19	<b>1-2 Drink Cocktail</b>	Ramps up to HIGH (90%)	:13
20	<b>3-4 Drink Cocktail</b>	Ramps up to MED (45%), then ramps up to HIGH (100%)	:25
21	<b>Kids Cup</b>	Starts at MED (55%), then decreases to LOW (7%), then to HIGH (100%)	:30
22	<b>Bar Shake</b>	Gradually steps up to HIGH (100%)	:25
23	<b>Bar Special</b>	Ramps up to MED (58%), decreases to LOW (22%), then gradually steps up to HIGH (100%)	:35
24	<b>Utility Blend</b>	Ramps up to MED (40%), then gradually increases to MED-HIGH (75%)	:25
25	<b>1 Shake</b>	Ramps up to MED (50%), decreases to LOW (25%), then gradually decreases to LOW (15%)	:20
26	<b>2 Shake</b>	Ramps up to MED (50%), decreases to LOW (25%), then gradually decreases to LOW (17%)	:30
27	<b>3 Shake</b>	Ramps to HIGH (100%), decreases to LOW (25%), then decreases to LOW (15%)	:20
28	<b>Ice Cream Drink</b>	Ramps up to MED-LOW (35%), then ramps to MED-HIGH (75%)	:15
29	<b>Small Shake</b>	Ramps up to MED (58%), then decreases to LOW (25%)	:10
30	<b>Hard to Blend Shake</b>	Ramps up to MED-HIGH (80%), decreases to MED (51%), then gradually increases to HIGH (100%)	:25
31	<b>General Program 1</b>	Ramps up to HIGH (100%)	:25
32	<b>General Program 2</b>	Slowly ramps up to HIGH (100%)	:45
33	<b>General Program 3</b>	Quickly ramps up to MED (40%), decreases to LOW (15%), then up to HIGH (90%)	:24
34	<b>General Program 4</b>	Quickly ramps up to MED (45%), then gradually increases to MED-HIGH (75%)	:35

# MACHINE ASSEMBLY

## Compact Cover

### Cover Door:

1. The cover door can be removed by opening it until the door is horizontal. Then, gently spread the sides of the door over the round hinges and remove.
2. To reinstall the cover door, gently spread the sides of the door and place the door hinge cutouts over the round hinges.

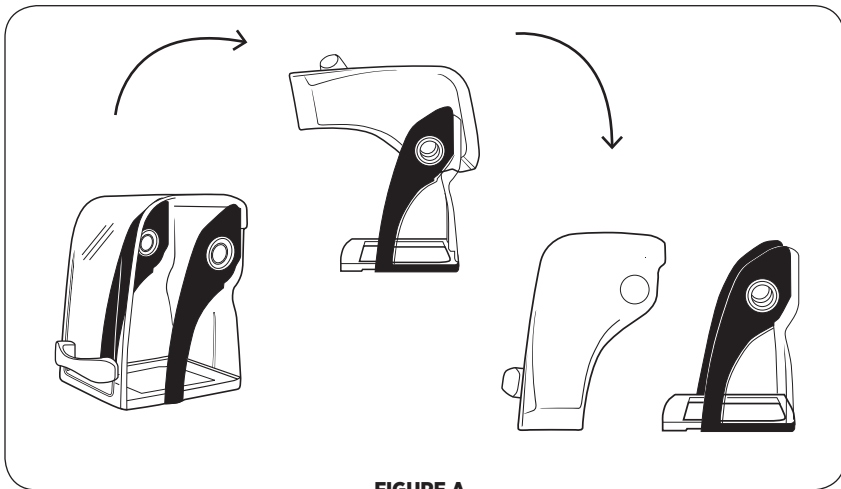


FIGURE A

## IMPORTANT NOTES!

### Containers:

- The Quiet One® machines are optimized for use with the Vitamix® 48 oz. / 1,4 L Advance® container (3 sided container). The 64 oz. / 2,0 L standard container will not fit in the compact cover used on the The Quiet One®. Contact Vitamix customer service at 800-886-5235 or contact your distributor for more information.
- Outside the United States and Canada, your machine may come with a different container configuration.

### **Back Cover:**

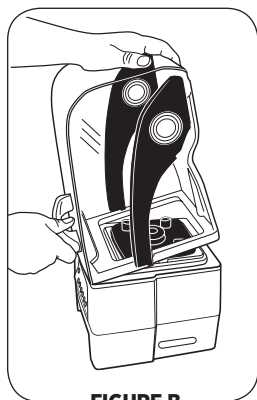
For enhanced sound reduction, the sound enclosure for the The Quiet One® is secured to the base using a patented magnetic system. Aside from the advantages of reducing blending noise over that of mechanically attached door systems, the magnetically attached system allows for fast and easy removal for cleaning.

#### **To remove the sound enclosure:**

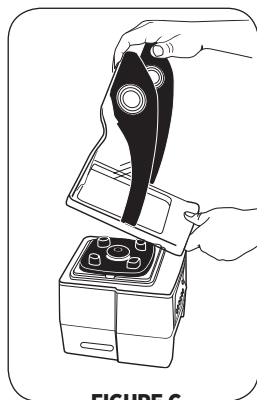
- First ensure that the container has been removed from the unit.
- Grasp the enclosure with both hands.
- Tilt slightly back and pull the enclosure straight up (See Figure B).

#### **To replace the sound enclosure:**

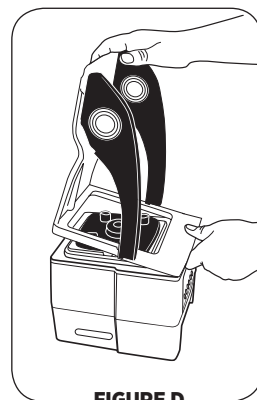
- Start with the back cover detached from the cover door
- Align the opening in the base plate of the back cover (See Figure C)
- Start on one side of the centering pad and slowly lay the back cover into position ensuring that the sound dampening pad is not pinched by any portion of the base plate (Figure D)



**FIGURE B**



**FIGURE C**



**FIGURE D**

# MACHINE ASSEMBLY

## **Two-Piece Lid** (Figure A)

**48 oz. / 1,4 L Advance® Container**

**The two-piece lid is easy to clean and easy to put on, take off and seal.**

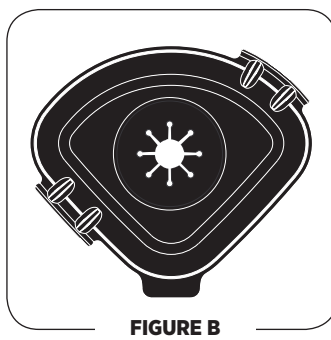
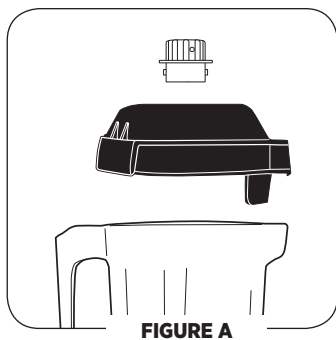
- To remove a fully latched lid, lift the two tabs and pull upward and off.
- Twist the center lid plug to fasten or remove.

## **One-Piece Lid** (Figure B)

**48 oz. / 1,4 L Advance® Container**

**The one-piece lid is easy to clean and easy to put on, take off and seal.**

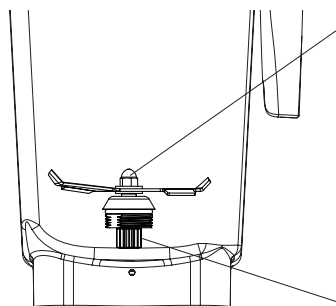
- There is no lid plug for this lid.
- Ingredients can be added through port on top.



To secure lid plug, rotate it so one tab locks between the notches on top of rubber lid



## Blade Assembly

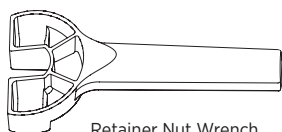


**Blade Agitator Assembly:** The blade assembly includes a precision-hardened stainless steel blade with enclosed double sealed steel ball bearings for maximum durability. The rugged blade assembly literally explodes molecules of food and ice in the container, helping every batch to homogenize more effectively. The blades do not need to be removed for normal cleaning. (Refer to the information below to remove or replace.)

**Drive Spline:** Inserts into drive socket on the motor base to turn the blade.

**Note:** Removing and replacing your container while the coupling is still rotating will strip the drive spline “teeth.” **(This part is NOT removable.)**

**Retainer Nut:** Must be snug. Order the available Retainer Nut Wrench for best results. (Refer to the information below to remove or replace.)



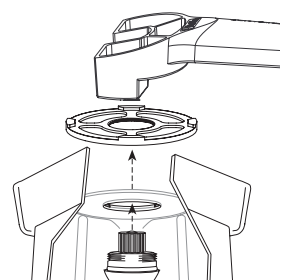
Retainer Nut Wrench

## Blade Assembly Removal

At times, it may be necessary to give your blades additional cleaning. An easy-to-use blade assembly removal wrench (Item #15596) may be purchased. Turn the container upside down and grip firmly. Insert retainer nut wrench in groove of retainer nut and rotate counterclockwise to loosen. Then grip blades with a cloth and remove retainer nut by hand.

**Replacing Blade Assembly:** With the container upside down, grip blades with cloth, insert into the container bottom and align with flat sides of container opening. Place retainer nut on and hand tighten. Using the retainer nut wrench, carefully turn clockwise until secure, using wrench.

**Do not force.** If it is not tight enough, you will notice increased container noise.



Retainer Nut Wrench in use



## WARNINGS!

Never use a blade assembly with loose, damaged or nicked components.

**Caution:** Do not remove blades or blade assembly unless absolutely necessary! Never attempt to take the blade assembly itself apart. This will void the warranty.

# INSTALLATION

## In-Counter Machine

### Preparing the counter Area:

- Before cutting holes, make sure that there is adequate clearance under the counter for the motor. The motor will extend about 3.0 in. / 7,6 cm below the counter but it is best to allow at least 10.0 in. / 25,4 cm from the under-counter to shelves or any other equipment under the counter. Also, when using the removable cover design, the back of the hole must be at least 4.3 in. / 10,8 cm from any wall to allow for cover door clearance.
- An extra 4.0 in. / 10,2 cm of open space above the top of the cover will be needed for placement and removal of the In-Counter machine.
- If installing unit into a cabinet with doors, including cabinets with a curtain or extended skirt, a 4.0 in. / 10,2 cm diameter flexible duct (dryer hose) must be used to vent exhaust. Attach the duct to the bottom exhaust by forcing the end of the hose over the exhaust baffle of the unit. Run the duct out of the cabinet for proper ventilation. Multiple units should not vent to a common manifold unit but to separate places with separate vent ducts.
- When cutting holes for placement of multiple In-Counter units, position the edge of the machines at least 12.0 in. / 30,5 cm apart to ensure quick cleaning and proper venting between machines.
- It is recommended that for a 120 V unit In-Counter installation, you have at least one 20 amp outlet per machine under the counter, available within 6 ft. / 1,8 m of the machine. 220 V and 100 V units require a dedicated line. Consult an electrician for proper electrical needs.
- The In-Counter unit also requires a gasket (provided in the machine's original package) to be placed between the machine and the counter.
- Refer to The Quiet One® In-Counter template (provided in the machine's original package) for detailed installation guidelines and a template.



### WARNINGS!

**Do not** vent hose into a wall, ceiling or a concealed space of a building or cabinet.  
**Do not** use hose clamps or equivalent to attach exhaust hose on machine.  
When removing blender from the counter, always remove the container, cover door and back cover from the machine first. Do not strike the blender when removing from the counter. Do not use the In-Counter gasket on a wooden counter. Discoloration of the counter will occur.

### IMPORTANT NOTES!

Do not use the In-Counter on wooden counter tops. The gasket located between the machine and the counter will leave permanent black marks on wood. The area below the counter must have adequate ventilation to provide air circulation around each motor. This will prolong the life of your machine. If storing powders, mixes, sugars, etc., around the machine, make sure containers are tightly sealed. The intake and exhaust air caused by running the machine will disperse any loose products.

## On-Counter and In-Counter Blending Station

### Electrical Requirements:

- 120 V, 50/60 Hz, 15 amps
- Uses a U.S.A. three-prong grounded cord.
- 20 amp outlet per machine is recommended.

### Do not use extension cords with machine.

- 220 – 240 V, 50/60 Hz, 1300 – 1550 Watts
- 100 V (Japan), 50/60 Hz, 1000 Watts

### On-Counter Dimensions:

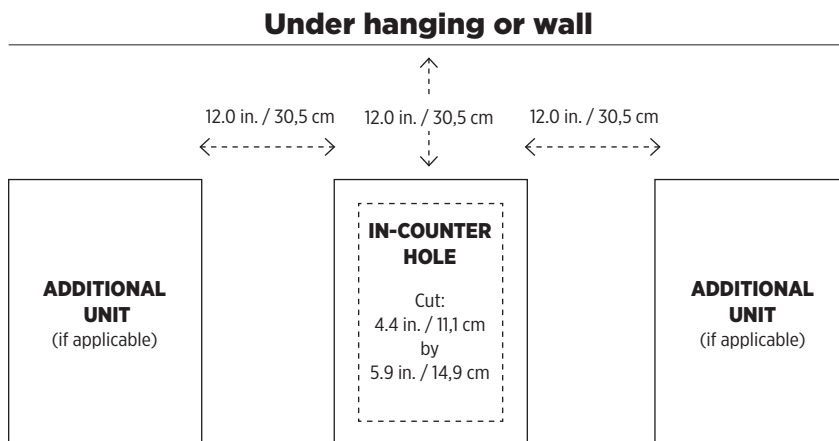
- 18.0 in. / 45,7 cm high with lid closed
- 24.5 in. / 62,2 cm high with lid open
- Depth: 10.7 in. / 27,2 cm with handle
- Width: 8.5 in. / 21,6 cm

### In-Counter Dimensions:

- 16.5 in. / 41,9 cm high with lid closed
- 23.0 in. / 58,4 cm high with lid open
- Depth: 10.7 in. / 27,2 cm with handle
- Width: 8.5 in. / 21,6 cm
- Depth below counter: 1.2 in. / 3,0 cm

### Recommended distance between machines and under hang or wall:

12.0 in. / 30,5 cm from the edge of each machine or as far apart as possible



# CARING FOR YOUR MACHINE

## Cleaning Products

Solid Supra, Solid Power, \_\_\_\_\_  
Guardian Acclaim, Solid Guardian Plus,  
Solid Super Impact, Solid Insure

## Suppliers in U.S.A.

**Ecolab, Inc.**, St. Paul, MN  
800-352-5326  
www.ecolab.com

Diverpak \_\_\_\_\_  
Eclipse H2, Liqui-Safe L7  
Acclean  
Poly-Brite

**Diversey**, Livonia, MI  
800-521-8140

Glow MB-1 \_\_\_\_\_  
Lustre NC-25  
Lustre Plus

**Wesmar Company, Inc.**  
Seattle, WA 206-783-5344  
www.wesmar.com

PSRA 41-D, PSRA 41-E \_\_\_\_\_  
Liqui-Ware 1, Liqui-Ware MC  
D-Flex, Sur-Met

**Anderson Chemical Co.**  
Litchfield, MN  
800-366-2477  
www.andersonchemical.com

## Rinse Aids

Solid Rinse Dry, Solid Brilliance, \_\_\_\_\_  
Jet Dry, Rinse Dry

**Ecolab, Inc.**, St. Paul, MN  
800-352-5326  
www.ecolab.com

## Destainer

NuWare \_\_\_\_\_

**Diversey**, Livonia, MI  
800-521-8140

## IMPORTANT NOTES!

**Cleaning Products:** Do not use abrasive cleaning agents or concentrated bleach when cleaning. Do not use any cleaners containing quaternary sanitizers on polycarbonate components (i.e., Advance® containers, covers). Do not use any of the following cleaning products: automatic dishwashing detergents, oven cleaners, steel wool or other abrasive pads.

**Cover:** Do not wash cover door, handle or back cover in dishwasher. It is recommended that the handle not be disassembled during cleaning. However, if you choose to disassemble the handle from the cover, make sure to not over-tighten it when reattaching it to the cover. Doing so will cause damage.

**Container:** Do not let mixtures, liquids or food products dry in the container. Rinse after use. Dry product may lock around the blade and weaken/tear the bearings seal when restarted. Do not place containers in the freezer. Extremely low temperature combined with hot ingredients and/or the immediate rapid action of the blade may crack the container. Microwaving and automatic dishwashing are not recommended.

**Motor Base/Control Panel:** **Unplug the power cord** and gently wash the outside surface with a damp soft cotton cloth moistened with a mild solution of warm water\* and nonabrasive detergent or nonabrasive liquid spray cleaner. Be careful to not scratch or scrub the display window on the control panel. **Never immerse motor base in water or other liquid.** Dry with a soft cotton cloth.

**Lid:** Wash in warm, soapy water. Rinse clean under running water and dry.

**Cover Door:** The cover can be removed (see pages 14 and 15) and cleaned by placing under running water and washing with a soft cloth. Wipe dry and replace back on the base.

**Sound Dampening Gasket and Container Centering Pad:** The sound dampening gasket located between the base and the cover door can be removed for cleaning by simply peeling it off the base after the cover has been removed. (See pages 14 and 15 for cover removal).

Wash the gasket and pad in warm, soapy water. Rinse clean under running water and dry. Reassemble before use. To reinstall the sound dampening gasket, simply lay it on the base making sure that it fits snugly against the centering pad. Replace the sound enclosure as directed on page 15. Make sure the gasket is seated properly against the blender and the centering pad. The gasket and the centering pad should be flat on the motor base.

**Container:** The Advance® container has been designed to be chemical resistant. However, for maximum container life, hand washing is recommended.

**To Clean:** Wash all container parts in warm soapy water. Rinse and drain. Do not soak the blade agitator assembly.\*\*

**To Sanitize:** After all solid residue is removed, fill container  $\frac{3}{4}$  full with a sanitizing solution mix.\*\*\* Return container to motor base and firmly position the two-piece lid. Run machine on a high speed for 30 seconds. Turn machine off and allow mixture to stand in the container for an additional 1  $\frac{1}{2}$  minutes. Pour out bleach mixture. Return container to motor base and run machine empty for an additional 5 seconds. Do not rinse after sanitizing. Allow container to air dry.

## IMPORTANT NOTES!

**Sound Dampening Gasket:** Do not wash in the dishwasher. High temperatures and chemicals may cause the pad to swell. Do not soak. The gasket may absorb water and swell. It can take 24-48 hours of air drying before it returns to its original size.

**Blade Assembly:** Do not soak the blade agitator assembly.

\* Be sure to wring excess water out of cloth or sponge when cleaning around the controls or any electrical part.

\*\* To prolong polycarbonate container life, Vitamix recommends using soaps with a low PH balance, such as a liquid dishwashing detergent (Ivory Liquid®). Due to the nature of polycarbonates, automatic dishwashing is not recommended.

\*\*\* Recommended sanitizing solution: 1.5 tsp. / 7,4 ml institutional or household bleach in 2 qt. / 1,9 L water.

# TROUBLESHOOTING

<b>Problems:</b>	<b>Possible Actions:</b>
<ul style="list-style-type: none"> <li>• Loud noise from blender container blade area</li> <li>• Container blades do not spin</li> <li>• Increased vibration</li> <li>• Leaking from bottom of container</li> </ul>	<ul style="list-style-type: none"> <li>a. Broken or worn drive socket. Replace (Item #891). Instructions are included with part.</li> <li>b. Check blade assembly for loose, damaged or nicked components and replace.</li> <li>c. Tighten retainer nut with the retainer nut wrench moving clockwise until it is snug. (See page 17.)</li> </ul>
<ul style="list-style-type: none"> <li>• Loud grinding noise from the blender motor</li> </ul>	<p>Damaged motor bearings, your machine may need to be repaired.</p>
<ul style="list-style-type: none"> <li>• Machine will not run</li> <li>• Display window does not say "Ready"</li> </ul>	<ul style="list-style-type: none"> <li>a. Double-check to make sure power cord is firmly in power outlet.</li> <li>b. Check to make sure the On/Off power switch is in the on position.</li> <li>c. Turn the On/Off power switch to off, then on, to reboot the electronics.</li> </ul>
<ul style="list-style-type: none"> <li>• Machine starts then shuts off</li> </ul>	<p>Make sure there is power to the machine.</p>
<ul style="list-style-type: none"> <li>• Display window reads "SHUT DOWN SEE MANUAL"</li> </ul>	<p>Let the machine cool for an hour, restart.</p>
<ul style="list-style-type: none"> <li>• Display window reads "MOTOR LOCKED PROGRAM TERMINATED"</li> </ul>	<p>Let the machine cool for an hour, restart.</p>
<ul style="list-style-type: none"> <li>• Machine is running irregularly</li> <li>• "NO PROGRAM" is displayed when a button is pushed</li> <li>• Button pressed starts wrong program</li> <li>• Machine starts by itself</li> <li>• A specific program button is defective</li> <li>• Machine does not work when first tried</li> <li>• Machine works but no information displayed on screen</li> <li>• Program buttons run the blender on the same speed</li> </ul>	<ul style="list-style-type: none"> <li>a. Turn the machine off and on again to reset the programming.</li> <li>b. Try plugging the machine into a new outlet.</li> </ul>

<b>Problems:</b>	<b>Possible Actions:</b>
<ul style="list-style-type: none"> <li>• Display window reads "CORRUPT DATA"</li> </ul>	<p>Turn the machine off and on again to reset the programming.</p>
<ul style="list-style-type: none"> <li>• Display window reads "THERMAL SENSOR FAILURE"</li> </ul>	<p>Call Vitamix technical support.</p>
<ul style="list-style-type: none"> <li>• Machine stops in the middle of its blend cycle and resets; display window reads "VITAMIX GENERAL PROGRAM" then "READY"</li> </ul>	<ul style="list-style-type: none"> <li><b>a.</b> Plug the machine into its own power supply.</li> <li><b>b.</b> Make sure the machine is not running on a long extension cord.</li> </ul>
<ul style="list-style-type: none"> <li>• If the machine has overheated: The motor will stop and the message "MOTOR HAS OVERHEATED REMOVE THE CONTAINER, THEN PRESS START," will scroll across the display window, while the words "HOT SHUTDOWN" will remain in the display window alerting you of the problem.</li> </ul>	<p>Remove the container, shut the cover door and press the Start/Stop button and run the machine for two minutes. When the motor is cool, "READY" will appear in the display window.</p>

**If you cannot fix your machine with these suggestions,** technical help is available by calling Vitamix® technical support at 800-886-5235. If you purchased your equipment outside the U.S.A., contact your local Vitamix Distributor or telephone the Vitamix International Division at +1.440.782.2450 or email [international@vitamix.com](mailto:international@vitamix.com) for a distributor in your country. For online help, visit [www.vitamix.com/foodservice](http://www.vitamix.com/foodservice).

# WARRANTY

## LIMITED WARRANTY

In order to maximize the life and keep your Vitamix® product in good working order, it is important that you follow a few simple maintenance tips:

1. Periodically inspect the drive socket for visible wear and tear, cracks, or brakes to the socket. If damage is found, replace the drive socket with the extra drive socket enclosed with your blender. To purchase additional replacement drive sockets contact Vitamix at 1-800-437-4654 (1-800-4DRINK4) for a dealer near you. For customers outside the U.S.A., contact your authorized Vitamix Distributor, or call the Vitamix International Division at +1.440.782.2450 or email [international@vitamix.com](mailto:international@vitamix.com) for a distributor near you.
2. Manually rotate the blade bearing assembly to make sure it turns without hesitation or doesn't spin too freely. If the blade hesitates or spins too freely, contact Vitamix at 1-800-437-4654 (1-800-4DRINK4) for warranty information or a dealer near you. For customers outside the U.S.A., contact your authorized Vitamix Distributor, or call the Vitamix International Division at +1.440.782.2450 or email [international@vitamix.com](mailto:international@vitamix.com) for a distributor near you.
3. Never run the machine without the centering pad properly placed on the base. Vita-Mix® Corporation (hereinafter "Vita-Mix") warrants to the original end-user (proof of purchase required) purchased in the U.S.A., that this commercial Vita-Mix blender (hereinafter the "Equipment") is free from defects in material and workmanship for the warranty periods applicable to the Equipment as described herein and subject to the conditions set forth below.

### Motor Base

Vita-Mix warrants to the original end-user that:

- If the motor base fails within thirty (30) days from the date of purchase, Vita-Mix will replace the motor base without charge.
- If the motor base fails after thirty (30) days but within one year from the date of purchase, due to a defect in materials or workmanship, Vita-Mix will assume the cost of all parts and labor necessary to repair the motor base.
- If the motor base fails after one year but within three (3) years from the date of purchase due to a defect in materials or workmanship, Vita-Mix will assume the cost of the parts deemed necessary to repair the base.

### Container, Lid, Blade Assembly, Drive Socket and Sound Enclosure (if included)

The container, lid, blade assembly, drive socket and where included a Vita-Mix manufactured sound enclosure, are warranted against defects in material and workmanship for one year from the date of purchase.

### Conditions

- The warranties contained herein run only to the original end-user and are not transferable. To make a warranty claim, proof of purchase is required.
- This warranty is the sole remedy of the purchaser and sets forth the only obligations



of Vita-Mix and does not cover normal wear-and-tear, abuse, misuse, negligent use, alteration of the base or container (or the sound enclosure), or exposure to extreme conditions and is only valid if the Equipment is used in accordance with the accompanying instruction booklet (which may also be accessed at [www.vitamix.com/foodservice](http://www.vitamix.com/foodservice)).

- If applicable, improper installation or ventilation in the case of the in-counter model of the Equipment, or placing the Equipment in a sound enclosure not manufactured by Vita-Mix will void this warranty.
- This warranty is void in the event that repairs to the Equipment are performed by someone other than Vita-Mix or an authorized Vita-Mix Service Center. Vita-Mix will not be responsible for the cost of any unauthorized repairs.
- The sole obligation of Vita-Mix under this warranty is to repair or replace the warranted part or parts as determined exclusively by Vita-Mix.

**In no event, whether based on contract, indemnity, warranty, tort (including negligence), strict liability or otherwise, shall Vita-Mix be liable for any special, indirect, incidental or consequential damages whatsoever including, without limitation, loss of profit or revenue. The above limited warranty is your exclusive remedy, and you and Vita-Mix hereby expressly disclaim all other warranties or conditions, express or implied, statutory or otherwise, including any implied warranty of merchantability and any implied warranty of fitness for a particular purpose, and, without limiting the generality of the foregoing, you and Vita-Mix hereby expressly exclude, to the extent permitted by law, the application of any sale of goods legislation and the United Nations Convention on Contracts for the International Sale of Goods, as may be applicable.**

Some jurisdictions do not allow a limitation on implied warranties or on special, incidental or consequential damages.

No employee of Vita-Mix or any other person is authorized to make any warranty in addition to or amendment of the warranties made herein. For warranty details for machines purchased outside the U.S.A., contact your authorized Vita-Mix distributor, or call the Vita-Mix International Division at +1.440.782.2450 or email [international@vitamix.com](mailto:international@vitamix.com) for a distributor near you.

In the event your Vita-Mix blender needs service or repair covered by the terms of this warranty, please call the Vita-Mix Corporation for warranty assistance. For machines purchased in the U.S.A., call Vita-Mix Technical Support: 800-886-5235. If purchased outside the continental U.S.A., contact your authorized Vita-Mix Distributor, or telephone the Vita-Mix International Division at +1.440.782.2450 or email [international@vitamix.com](mailto:international@vitamix.com) for a distributor near you.

Any item sent to Vita-Mix pursuant to the terms hereof must be sent in original or sufficient packaging. Customer is responsible for in-bound freight costs for warranty service. Do not return or send in products without the approval from Vita-Mix. All product returns must have the Return Authorization Number clearly marked on the outside of the box. Any product that is sent to Vita-Mix without prior authorization or approval will be returned to the shipper's address "as is" without repair.

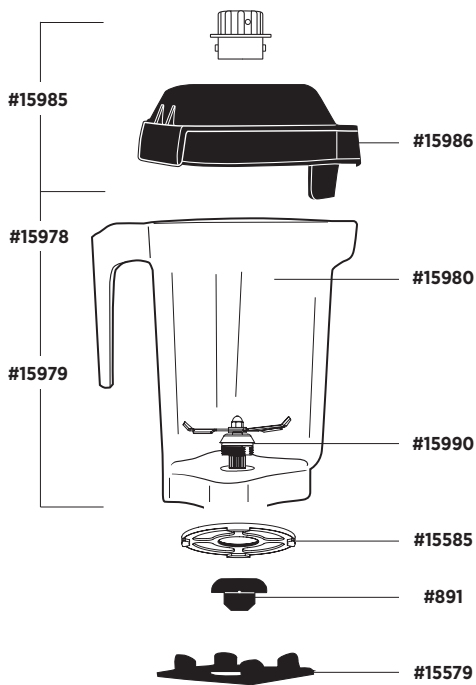
# PARTS LIST

## The Quiet One®

- #15092** Splash lid for 48 oz. / 1,4 L Advance® container
- #15986** Lid only (no plug) for 48 oz. / 1,4 L Advance® container
- #15985** Two-part lid assembly for 48 oz. / 1,4 L Advance® container
- #15978** 48 oz. / 1,4 L Advance® container, blade assembly & lid assembly
- #15980** 48 oz. / 1,4 L Advance® container only
- #15979** 48 oz. / 1,4 L Advance® container, blade assembly, no lid assembly
- #15990** Advance® blade agitator assembly
- #15585** Retainer nut
- #891** Drive socket
- #15579** Sound-reducing centering pad
- #15080** Compact back cover and cover door with removable hinge design
- #15081** Compact cover door
- #15082** Compact back cover
- #15107** Isolation Gasket
- #15083** In-Counter gasket

## IMPORTANT NOTES!

- Outside the U.S.A. and Canada, your machine may come with a different container configuration. Contact your local Vitamix Distributor for item numbers.
- Other than the drive socket, blade assembly and retainer nut, this unit is not user serviceable.



**Items Sold Separately:**



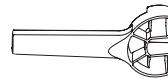
**#15606**  
Software Kit - USB Version



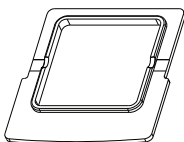
**#15644**  
Extra Programming Chip  
for Software Kit



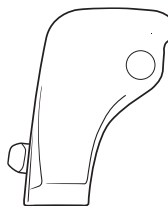
**#15988**  
One-Piece Lid



**#15596**  
Retainer Nut Wrench



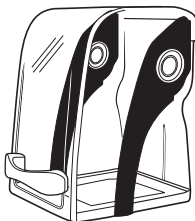
**#15107**



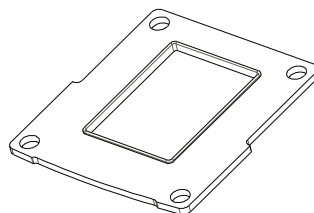
**#15081**



**#15082**



**#15080**



**#15083**

# SPECIFICATIONS

## The Quiet One®

### Electrical Requirements:

- 120 V, 50/60 Hz, 15 amps
- Uses a U.S.A. three-prong grounded cord.
- 20 amp outlet per machine is recommended.

### Do not use extension cords with machine.

- 220 – 240 V, 50/60 Hz, 1300 – 1550 Watts
- 100 V (Japan), 50/60 Hz, 1000 Watts

### On-Counter Dimensions:

- 18.0 in. / 45,7 cm high with lid closed
- 24.5 in. / 62,2 cm high with lid open
- Depth: 10.7 in. / 27,2 cm with handle
- Width: 8.5 in. / 21,6 cm

### In-Counter Dimensions:

- 16.5 in. / 41,9 cm high with lid closed
- 23.0 in. / 58,4 cm high with lid open
- Depth: 10.7 in. / 27,2 cm with handle
- Width: 8.5 in. / 21,6 cm
- Depth below counter: 1.2 in. / 3,0 cm

When applicable:



To see the complete line of Vitamix® products, visit [vitamix.com/foodservice](http://vitamix.com/foodservice)



### Vita-Mix® Corporation Commercial Division

8615 Usher Road, Cleveland, Ohio 44138 U.S.A.

Tel: 440.235.0214 Email: [commercial@vitamix.com](mailto:commercial@vitamix.com)

©2010 Vita-Mix Corporation. No part of this publication may be reproduced or transmitted in any form or by any means or stored in a database or retrieval system without the written permission of the Vita-Mix Corporation.

Printed in the U.S.A. 102865 12/10



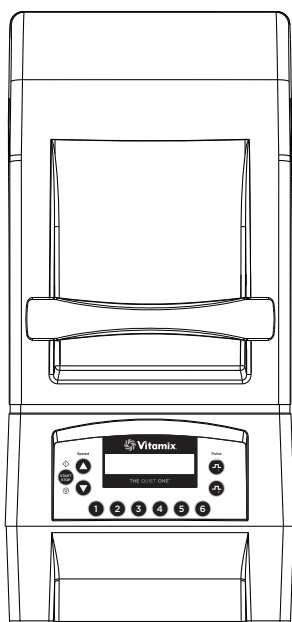
## The Quiet One®

Estación Licuadora

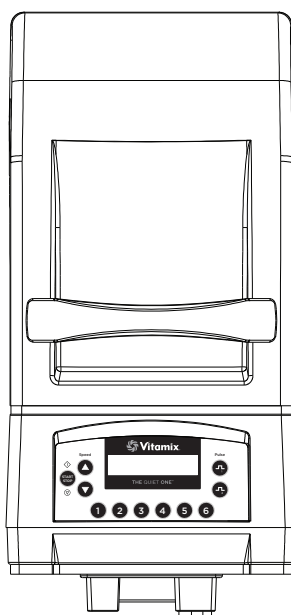
TODOS LOS MODELOS

# Manual de uso y cuidado

Lea y conserve estas instrucciones



**DE SOBREMESA**



**EMPOTRADO**

ENGLISH

ESPAÑOL

FRANÇAIS



# CONTENIDO

<b>English</b> .....	<b>1</b>
<b>Español</b> .....	<b>29</b>
<b>Français</b> .....	<b>57</b>
<b>Precauciones importantes</b> .....	<b>32</b>
<b>Instrucciones Generales</b> .....	<b>34</b>
<b>Panel de Control</b> .....	<b>36</b>
<b>Programación</b> .....	<b>38</b>
Programación de los botones preestablecidos	
Programación con un chip personalizado	
Restablecimiento de los botones preestablecidos	
Opciones de recetas	
<b>Montaje de la Máquina</b> .....	<b>42</b>
Cubierta compacta	
Tapa	
Conjunto de cuchillas	
<b>Instalación</b> .....	<b>46</b>
<b>Cuidado de la Máquina</b> .....	<b>48</b>
<b>Solución de Problemas</b> .....	<b>50</b>
<b>Garantía</b> .....	<b>52</b>
<b>Lista de Piezas</b> .....	<b>54</b>
<b>Especificaciones del Producto</b> .....	<b>56</b>

## PRECAUCIONES IMPORTANTES

1. Lea todas las instrucciones.
2. Para protegerse contra las descargas eléctricas, no coloque la base de motor en agua ni en ningún otro líquido.
3. Si la máquina es utilizada por niños, o se usa cerca de ellos, es necesaria la supervisión por parte de un adulto.
4. Desenchufe el cable eléctrico del tomacorriente mural cuando no utilice la máquina Vitamix®, antes de desmontarla, al colocarle o extraerle piezas y antes de limpiarla, a menos que desee lavar sólo el vaso.
5. Jamás toque ninguna pieza móvil, especialmente las cuchillas.
6. No haga funcionar ninguna máquina que esté defectuosa, que tenga el cable o el enchufe averiados, que se haya caído o dañado de algún modo. Si adquirió su equipo en los EE.UU., llame al **Servicio Técnico de Vitamix al 800-886-5235** para la revisión, reparación, el posible reemplazo o el ajuste mecánico o eléctrico de la máquina. Si lo adquirió fuera de los EE.UU., comuníquese con el Distribuidor autorizado de Vitamix o con la División Internacional de Vitamix llamando al +1.440.782.2450 o enviando un correo electrónico a: [international@vitamix.com](mailto:international@vitamix.com) para encontrar un distribuidor en su país.
7. No use accesorios no recomendados ni vendidos por Vitamix, ya que anulará la garantía. **No se recomienda alterar ni modificar este producto en modo alguno, ya que ello puede causar lesiones.**
8. **No utilice el producto a la intemperie.**
9. No deje que el cable eléctrico toque superficies calientes ni cuelgue sobre el borde de la mesa ni del mostrador.
10. No coloque la máquina sobre ni cerca de quemadores calientes eléctricos o a gas, dentro de un horno calentado ni deje que entre en contacto con superficies calientes. Las fuentes de calor externas pueden dañar la máquina.
11. Mantenga las manos y los utensilios fuera del vaso cuando el motor esté funcionando para evitar posibles lesiones graves y/o daños a la máquina Vitamix. Se puede usar una espátula de goma, pero sólo cuando la máquina no esté funcionando.
12. **ADVERTENCIA: Las cuchillas son filosas. Manipúlelas con cuidado.**
  - Nunca intente quitar las cuchillas si el vaso está puesto en la base de motor.
  - No haga funcionar la máquina con cuchillas sueltas, melladas o dañadas; reemplácelas de inmediato.
  - Para reducir el riesgo de lesiones, nunca coloque el conjunto de cuchillas en la base de motor si el vaso Vitamix no está correctamente instalado.
13. La capacidad máxima equivale a la cantidad de onzas (litros) que aparece en el vaso-por ejemplo, 48 oz. / 1,4 L, y es considerablemente menor con mezclas espesas.
14. **Siempre haga funcionar la máquina Vitamix con la tapa firmemente puesta.**
15. El área de la ventana del visor se rayará si entra en contacto con una esponja u objeto filoso. Utilice un paño suave para limpiar el área del panel de control.
16. No se puede lavar la máquina con un chorro de agua a presión.
17. Para una instalación de 120 V, se recomienda contar con un tomacorriente de 20 amperios como mínimo por máquina, situado a 6 pies / 1,8 m de distancia de la unidad Vitamix. Las unidades de 220 y 100 V requieren una línea dedicada.  
**Consulte a un electricista los requisitos eléctricos correctos.**
18. **PRECAUCIÓN:** Apague el suministro eléctrico o desenchufe la máquina antes de tocar las piezas móviles.



## Conserve estas instrucciones de seguridad

- El cable eléctrico para EE.UU. de la licuadora Vitamix viene con un enchufe de tres clavijas (con conexión a tierra) que encaja perfectamente en un tomacorriente mural de tres orificios (Figura A). **Fuera de los Estados Unidos este cable variará según el país dado.**
- Se ofrecen adaptadores (Figura B) para tomacorrientes de dos orificios. No corte ni quite la tercera clavija (conexión a tierra) del enchufe ni del cable eléctrico.
- Consulte a un electricista si no sabe con seguridad si el tomacorriente mural está conectado a tierra mediante el cableado del edificio. Con un tomacorriente mural de dos orificios conectado a tierra correctamente, ponga a tierra la máquina empalmando la lengüeta del adaptador a la cubierta del tomacorriente, utilizando el tornillo ubicado en el centro de la cubierta (Figura B).



### ¡ADVERTENCIAS!

En Canadá, no se deben usar adaptadores para tres clavijas.

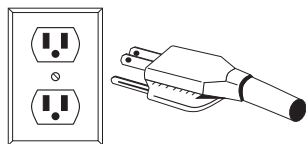


FIGURA A

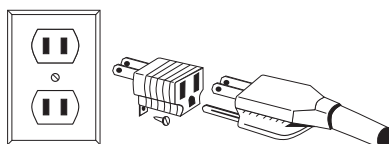


FIGURA B

### ¡NOTAS IMPORTANTES!

Las instrucciones que aparecen en este manual de uso y cuidado no pueden abarcar todas las condiciones y situaciones posibles que puedan presentarse. Use el sentido común y tome las medidas de precaución necesarias al operar y dar mantenimiento a cualquier aparato electrodoméstico.

# INSTRUCCIONES GENERALES

## Instrucciones para usar los botones de programas preestablecidos

A continuación aparecen los ajustes básicos de los seis botones preestablecidos para la licuadora The Quiet One®. Estos programas, numerados del 1 al 6, son ciclos de licuado diseñados para las bebidas que se preparan con mayor frecuencia. Según la viscosidad de la bebida que desee preparar, al seleccionarse uno de los programas preestablecidos la máquina funcionará durante un ciclo completo. Se detendrá automáticamente al finalizar el ciclo. La duración y la velocidad de los ciclos varían. Las opciones preestablecidas de la máquina pueden diferir debido a las modificaciones del programa o debido a las diferencias en las recetas, también pueden variar los resultados.

**BOTÓN 1: Uso general/batidos** – licúa batidos y bebidas livianas hechos con jugo y hielo hasta obtener una consistencia cremosa. (:18)

**BOTÓN 2: Batido doble** – licúa bebidas similares a las obtenidas con el botón 1 pero en volúmenes más grandes. (:18)

**BOTÓN 3: Café y jugos helados** – licúa bebidas de café liviano hasta obtener una consistencia cremosa. (:18)

**BOTÓN 4: Bebidas de helado** – licúa bebidas que contienen helado duro hasta obtener una consistencia batida espesa. (:28)

**BOTÓN 5: Bebidas de helado doble y difíciles de licuar.** (:20)

**BOTÓN 6: Batido espeso difícil de licuar** – licúa fruta congelada gruesa e ingredientes duros para obtener un batido espeso pero consistente. (:28)

## Consejos para licuar

1. Primero coloque los líquidos y alimentos blandos en el vaso, los ingredientes duros y el hielo se deben introducir al final. Si bien no es necesario para el procesamiento, se recomienda cortar los alimentos en trozos más pequeños para medir los ingredientes en forma más precisa. Se recomienda descongelar parcial o totalmente las frutas.
2. Como regla general, en comparación con otras licuadoras, la máquina The Quiet One® no necesita tanto hielo para hacer bebidas congeladas. Si los ingredientes se congelan, trate de reducir la cantidad de hielo.
3. Coloque el vaso en la base de motor, alineándolo sobre la almohadilla centrante que está sujeta a la base. **(El motor debe estar completamente detenido antes de colocar el vaso).** No se deben usar los vasos con materiales sólidos ni secos. Evite hacer funcionar la máquina con el vaso vacío.
4. Al licuar siempre use una tapa que quede firmemente colocada.
5. Enchufe la máquina al tomacorriente más cercano (si está desenchufada). Coloque el interruptor On/Off (Encendido/Apagado) en la posición de encendido. Seleccione el ajuste programado que desee oprimiendo cualquiera de los botones preestablecidos, numerados del 1 al 6. La máquina comenzará inmediatamente el ciclo siguiendo el programa seleccionado y se apagará cuando este finalice. **(NOTA: Cada botón tiene una combinación de velocidad y duración diferente preseleccionada para el licuado).**
6. Una vez que se haya oprimido uno de los seis botones de programas preestablecidos, la máquina arrancará y se detendrá automáticamente. Si se oprime otro botón preestablecido, la máquina interrumpirá el ciclo de licuado.

7. La licuadora se detendrá al completarse el ciclo. **Espere hasta que las cuchillas se detengan por completo para quitar la tapa o el vaso de la base de motor.**
8. Retire el vaso, vierta el contenido, adórnelo y sirva la bebida.
9. Apague el interruptor On/Off (Encendido/Apagado) cuando no use la unidad.

## Consejos para el mantenimiento

- **Nunca golpee el vaso contra una superficie para aflojar los ingredientes.**  
Retire el vaso de la base y use una espátula de goma para quitar las mezclas espesas del fondo del vaso.
- **Nunca agite ni haga vibrar el vaso cuando lo esté usando.**
- **Nunca retire el vaso si la máquina no se ha detenido por completo.**
- **Nunca encienda el motor antes de colocar el vaso en su lugar.**



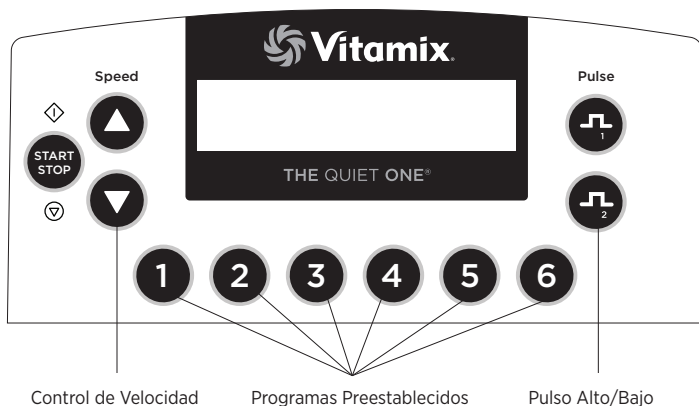
## ¡ADVERTENCIAS!

- Apague el suministro eléctrico o desenchufe la máquina antes de tocar las piezas móviles. Apague el interruptor de suministro durante la noche o siempre que la máquina quede sin supervisión.
- Si detecta un cambio en el sonido de la máquina o si un objeto sólido o extraño entra en contacto con las cuchillas, no sirva el contenido. Examine el conjunto de cuchillas para asegurarse de que no haya piezas sueltas, melladas o faltantes. Si faltan piezas o hay piezas sueltas o melladas, reemplace el conjunto de cuchillas por uno nuevo. (Consulte la página 45.)

## ¡NOTAS IMPORTANTES!

- Revise las cuchillas diariamente para asegurarse de que no haya piezas sueltas, melladas o faltantes. Si ve que falta una pieza o bien que hay una pieza suelta o mellada, reemplace el conjunto de cuchillas antes de usar la máquina (consulte la página 45). No apriete el tornillo de cabeza hexagonal (en la parte superior del conjunto de cuchillas). Si está suelto, reemplace inmediatamente el conjunto de cuchillas.
- Las instrucciones que aparecen en este manual de uso y cuidado no pueden abarcar todas las condiciones y situaciones posibles que puedan presentarse. Use el sentido común y tome las medidas de precaución necesarias al operar y dar mantenimiento a cualquier aparato electrodoméstico.
- Todas las unidades cuentan con un protector térmico incorporado que lleva un registro de la temperatura que alcanza el motor y que le indicará al usuario y finalmente apagará el motor si este se sobrecalienta. De haber sobrecalentamiento, el visor le indicará al usuario que retire el vaso y que haga funcionar la máquina hasta que se enfríe. Este procedimiento tarda unos dos minutos. Para obtener instrucciones completas, consulte la sección “Enfriamiento del motor” en la página 51. Si el protector térmico apaga el motor, repase las técnicas de procesamiento y las instrucciones. Es posible que las recetas sean demasiado espesas o contengan muchos ingredientes. Intente agregar más líquido y consulte al Servicio de Atención al Cliente de Vitamix® o solicite asistencia a su distribuidor local de Vitamix.

## PANEL DE CONTROL



**Interruptor On/Off (Encendido/Apagado):** Se encuentra en la parte posterior de la base de motor y controla el suministro eléctrico de la máquina. Cuando la unidad esté enchufada, ENCIENDA el interruptor a fin de preparar la máquina para licuar. Apáguelo durante la noche o siempre que la máquina quede sin supervisión.

**Botón Start ◊/Stop ⊖ (Arranque/Parada):** Si se oprime este botón una vez, la máquina se enciende, se pone a funcionar y las cuchillas giran. Oprímalo nuevamente para detener la máquina y las cuchillas.

**Botones de velocidad:** Oprima el botón ▲ para aumentar gradualmente la velocidad en incrementos del 1 hasta el 100%. Oprima el botón ▼ para disminuir gradualmente la velocidad de las cuchillas en incrementos del 1% hasta el 7%. La velocidad se utiliza para fijar la rapidez de licuado de los botones Pulse (Pulso) (consulte las instrucciones en la página 37) y Start/Stop (Arranque/Parada).

**Botones de programas preestablecidos:** Estos botones, numerados del 1 al 6, son ciclos de licuado preprogramados para las bebidas que se preparan con mayor frecuencia. Según la viscosidad de la bebida que desee preparar, al oprimirse uno de los botones de programas preestablecidos la máquina funcionará durante un ciclo completo. Se detendrá automáticamente al finalizar el ciclo. La duración y la velocidad de los ciclos varían; consulte las instrucciones en la página 34 para obtener una descripción completa del margen de cada botón preestablecido. Mediante la programación personalizada cada botón puede reprogramarse para cualquier receta, o bien reprogramarse para cualquiera de las 34 recetas disponibles. En la página 38 encontrará las instrucciones para crear una programación personalizada. Debido a las diferencias en las recetas, pueden variar los resultados.

### ¡NOTAS IMPORTANTES!

**Botón Start/Stop (Arranque/Parada):** Si oprime uno de los botones de programas preestablecidos mientras el motor está funcionando, la máquina se detendrá.

**Botón Speed (Velocidad):** Estos ajustes se reiniciarán si se apaga el suministro eléctrico.

**Ventana del visor:** Esta área, según el botón que se oprima, muestra una gran variedad de mensajes de operación. El mensaje “Ready” (Listo) aparece cuando la máquina está conectada.

**Controles del propietario:** A este panel de control se puede acceder activando el interruptor de suministro situado en la parte posterior de la base de motor mientras se oprime el botón 2.

VITA-MIX CORP  
VERSION #201

TEMP	COUNT	TOTAL
NORM	25	100

TIMER	HR:	MIN:	SS
	0:	10:	33

VITA-MIX ADVANCE  
PROGRAM #201

1 TO OVERWRITE  
CURRENT PROGRAM

- Una vez que la unidad se encienda, el visor recorrerá tres pantallas. La primera indica la versión actual del programa. La segunda indica el programa que se está ejecutando en la máquina. La tercera indica la temperatura del motor (NORM [NORMAL], WARM [TIBIO] y HOT [CALIENTE]), y el total de horas de operación, incluyendo la producción y las pruebas. Este tiempo no puede borrarse. Tras llegar a esta pantalla, se puede soltar el botón 2.
- Oprima el botón 2 dentro de 12 segundos para desplazarse por los ajustes del menú.
- Al oprimirlo por primera vez mostrará el temporizador. La operación total se registra en horas, minutos y segundos; incluyendo la producción y las pruebas. Este tiempo no puede borrarse.

- Al oprimirlo por segunda vez mostrará el nombre del programa que controla los botones preestablecidos. Si está usando los ajustes Advance®, verá el mensaje “VITA-MIX ADVANCE PROGRAM” (PROGRAMA AVANZADO VITA-MIX).
- Al oprimirlo por tercera vez mostrará una opción para restablecer los botones preestablecidos a los ajustes originales de fábrica.

**Botones de pulso:** El pulso aumenta o disminuye la velocidad de las cuchillas al licuar o refrescar una bebida. Oprima (  $\uparrow$  ) para aumentar la velocidad del motor en un margen del 51 - 100%. Oprima (  $\downarrow$  ) para disminuir la velocidad del motor en un margen del 50 - 7%. El botón Pulse (Pulso) anulará el programa en ejecución mientras se mantenga oprimido. Si se suelta, el programa original continuará su ciclo.

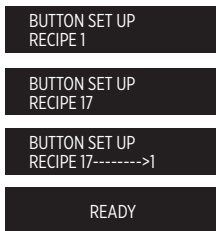
Las velocidades alta (  $\uparrow$  ) y baja (  $\downarrow$  ) del botón Pulse (Pulso) se fijan mediante los botones de velocidad. Para programarlas, mientras mantiene oprimido un botón Pulse (Pulso), presione el botón de Speed (Velocidad) ▲ o ▼ hasta llegar a la velocidad del motor que desee. La velocidad seleccionada permanecerá en ese ajuste hasta que la vuelva a cambiar mediante dichos botones.

# PROGRAMACIÓN

La máquina The Quiet One® viene de fábrica con el programa Advance® optimizado para el vaso Advance®. El programa se puede personalizar usando el panel de control o un chip de programación o el kit de software programador ofrecido por Vitamix®. Llame a su distribuidor o al Servicio de Atención al Cliente para obtener más información.

## Programación de los botones preestablecidos

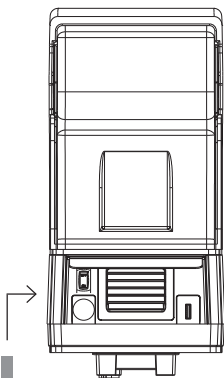
1. Acceda a los 34 programas almacenados activando el interruptor de suministro situado en la parte posterior de la base de motor mientras oprime el botón de pulso para velocidad alta. En el visor aparecerá "BUTTON SET UP" (CONFIGURAR BOTÓN)
2. Oprima los botones de velocidad ▲ o ▼ para desplazarse por los números de recetas hasta llegar a la que desea. (En la página 40 encontrará una descripción de cada receta.)
3. Oprima el botón preestablecido que desee programar para la receta seleccionada.



### Por ejemplo: Si quisiera programar el botón 1 con la receta 17:

1. Después de acceder a los programas almacenados descritos en el paso 1, en la ventana del visor aparecerá "BUTTON SETUP" (CONFIGURAR BOTÓN).
2. Oprima el botón de velocidad ▲ hasta que la pantalla muestre "Recipe 17" (Receta 17).
3. Oprima el botón 1 para aplicar la receta 17.
4. Continúe programando del mismo modo los cinco botones restantes oprima el botón de pulso para velocidad alta a fin de salir y continuar licuando.

## Programación de la máquina con un chip personalizado



Chip de programación personalizado

1. Encienda la máquina.
2. Retire el vaso y gire la máquina hacia la parte trasera para que pueda ver el puerto de programación.
3. Mirando la parte trasera de la máquina, introduzca el chip de programación personalizado (con la frase "THIS SIDE FACING TO THE FRONT OF THE MACHINE" (ESTE LADO DEBE MIRAR HACIA LA PARTE DELANTERA DE LA MÁQUINA) en el puerto situado en el costado derecho de la máquina opuesto al interruptor On/Off (Encendido/Apagado). Empújelo suavemente hasta que el chip encaje en el puerto. En el visor aparecerá el mensaje "New Module" (Módulo Nuevo).
4. En 10 segundos, los seis botones preestablecidos se reprogramarán y en el visor aparecerá el mensaje "Saved" (Guardado) y a continuación, "Ready" (Listo).
5. Retire el chip de programación, colóquelo nuevamente en su envase original y guárdelo en un lugar seguro y de fácil acceso.
6. Oprima uno de los seis botones preestablecidos para ver en el visor el nombre del programa o la bebida.

## Restablecimiento de los botones preestablecidos a los ajustes originales de fábrica

1. Acceda a los CONTROLES DEL PROPIETARIO activando el interruptor de suministro situado en la parte posterior de la base de motor mientras oprime el botón 2.
2. Al encenderse, la máquina recorrerá tres pantallas y se detendrá en la pantalla de estado del motor. Oprima nuevamente el botón 2, dentro de 12 segundos, para desplazarse por los ajustes del menú.
3. Desplácese usando el botón 2. En la pantalla aparecerá el mensaje "1 TO OVERWRITE CURRENT PROGRAM" (1 PARA ANULAR EL PROGRAMA ACTUAL). Oprima el botón 1 para reestablecer los ajustes originales de fábrica.

### ¡NOTAS IMPORTANTES!

**Chip de programación:** Si se siguen los pasos de programación antedichos y la programación personalizada no aparece con el primer ciclo de licuado, gire el chip en 180° (dele media vuelta) y vuelva a intentarlo.

# PROGRAMACIÓN

**Opciones de Recetas:** Dispuestas por número de receta (Núm.) y tipo de bebida:

NÚM.	TIPO DE BEBIDA	DESCRIPCIÓN	TIEMPO DE MARCHA
1	General Purpose/ Smoothie (Uso general/ batidos)	Aumenta al 60% durante 18 segundos	:18
2	Double Smoothie (Batido doble)	Aumenta a velocidad MEDIA (45%) durante 6 segundos, luego al (58%) durante 8 segundos y finalmente a ALTA (85%) durante 4 segundos	:18
3	Frozen Coffee & Juices (Café y jugos helados)	Aumenta a velocidad BAJA (25%) durante 4 segundos luego a MEDIA (60%) durante 14 segundos	:18
4	Ice Cream Drinks (Bebidas de helado)	Aumenta a velocidad MEDIA (55%) durante 5 segundos, luego disminuye a BAJA (25%) durante 7 segundos y finalmente al (12%) durante 16 segundos	:28
5	Double & Hard to Blend Ice Cream Drinks (Bebidas de helado doble y difíciles de licuar)	Aumenta a velocidad MEDIA (51%) durante 10 segundos, luego a ALTA (85%) durante 10 segundos	:20
6	Thick Hard-To-Blend (Batido espeso difícil de licuar)	Aumenta a velocidad BAJA (15%) durante 7 segundos, luego sube gradualmente a ALTA (82%) durante 21 segundos	:28
7	Medium Smoothie (Batido mediano)	Aumenta gradualmente a velocidad ALTA (100%)	:20
8	Hard to Blend Smoothie (Batido difícil de licuar)	Aumenta gradualmente a velocidad ALTA (100%)	:25
9	Thick Smoothie (Batido espeso)	Aumenta a velocidad MEDIA (100%) durante 15 segundos, luego a ALTA (100%) durante 20 segundos	:35
10	Mix, Light Juice (Mezcla, jugo liviano)	Funciona a velocidad BAJA (10%)	:04
11	Heavy Smoothie (Batido denso)	Funciona a velocidad MEDIA-ALTA (75%), aumenta, disminuye y luego aumenta a ALTA (100%)	:40
12	Hard to Blend Smoothie (Batido difícil de licuar)	Funciona a velocidad BAJA (7%) durante 25 segundos, aumenta rápidamente a ALTA (100%), luego disminuye a BAJA (7%) y vuelve rápidamente a ALTA (100%)	:40
13	Regular Iced Coffee (Café helado)	Aumenta rápidamente a velocidad ALTA (100%)	:09
14	Double Iced Coffee (Café helado doble)	Aumenta rápidamente a velocidad ALTA (100%)	:13
15	Thick Coffee (Café espeso)	Aumenta a velocidad MEDIA (55%), disminuye gradualmente a BAJA (7%), luego sube rápidamente a ALTA (100%)	:30
16	Multiple Coffees (Múltiples cafés)	Aumenta a velocidad BAJA (25%), luego sube gradualmente a MEDIA (50%), y finalmente a ALTA (100%)	:25



17	<b>Multiple Coffees 2</b> (Múltiples cafés 2)	Aumenta a velocidad BAJA (25%), luego sube gradualmente a MEDIA (50%), y finalmente a ALTA (100%)	:30
18	<b>Small Coffee</b> (Café pequeño)	Aumenta gradualmente a velocidad MEDIA-ALTA (75%)	:14
19	<b>1-2 Drink Cocktail</b> (Cóctel 1-2)	Aumenta a velocidad ALTA (90%)	:13
20	<b>3-4 Drink Cocktail</b> (Cóctel 3-4)	Aumenta a velocidad MEDIA (45%), luego a ALTA (100%)	:25
21	<b>Kids Cup</b> (Bebida para niños)	Comienza con velocidad MEDIA (55%), disminuye a BAJA (7%) y luego aumenta a ALTA (100%)	:30
22	<b>Bar Shake</b> (Malteada de bar)	Aumenta gradualmente a velocidad ALTA (100%)	:25
23	<b>Bar Special</b> (Especial de bar)	Aumenta a velocidad MEDIA (58%), disminuye a BAJA (22%), luego sube gradualmente a ALTA (100%)	:35
24	<b>Utility Blend</b> (Mezcla general)	Aumenta a velocidad MEDIA (40%), luego sube gradualmente a MEDIA-ALTA (75%)	:25
25	<b>1 Shake (Malteada 1)</b>	Aumenta a velocidad MEDIA (50%), disminuye a BAJA (25%), luego disminuye gradualmente a BAJA (15%)	:20
26	<b>2 Shake (Malteada 2)</b>	Aumenta a velocidad MEDIA (50%), disminuye a BAJA (25%), luego disminuye gradualmente a BAJA (17%)	:30
27	<b>3 Shake (Malteada 3)</b>	Aumenta a velocidad ALTA (100%), disminuye a BAJA (25%), y sigue disminuyendo a BAJA (15%)	:20
28	<b>Ice Cream Drink</b> (Bebida de helado)	Aumenta a velocidad MEDIA-BAJA (35%), luego sube a MEDIA-ALTA (75%)	:15
29	<b>Small Shake</b> (Malteada pequeña)	Aumenta a velocidad MEDIANA (58%), luego disminuye a BAJA (25%)	:10
30	<b>Hard to Blend Shake</b> (Malteada difícil de licuar)	Aumenta a velocidad MEDIA-ALTA (80%), disminuye a MEDIA (51%), luego sube gradualmente a ALTA (100%)	:25
31	<b>General Program 1</b> (Programa general 1)	Aumenta a velocidad ALTA (100%)	:25
32	<b>General Program 2</b> (Programa general 2)	Aumenta lentamente a velocidad ALTA (100%)	:45
33	<b>General Program 3</b> (Programa general 3)	Aumenta rápidamente a velocidad MEDIA (40%), disminuye a BAJA (15%), luego sube a ALTA (90%)	:24
34	<b>General Program 4</b> (Programa general 4)	Aumenta rápidamente a velocidad MEDIA (45%), luego sube gradualmente a MEDIA-ALTA (75%)	:35

# MONTAJE DE LA MÁQUINA

## Cubierta compacta

### Puerta de la cubierta:

1. La puerta de la cubierta se puede retirar abriéndola hasta que quede en posición horizontal. Luego extienda suavemente los lados de la puerta sobre las bisagras redondas y sáquela.
2. Para volver a colocar la puerta de la cubierta, extienda suavemente los lados de la misma y coloque las hendiduras de las bisagras de la puerta sobre las bisagras redondas.

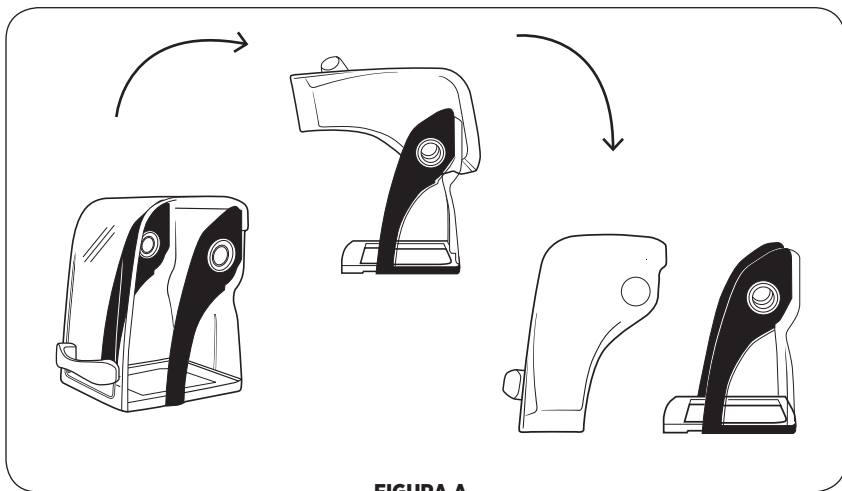


FIGURA A

## ¡NOTAS IMPORTANTES!

### Vasos:

- Las máquinas The Quiet One® están diseñadas para optimizar su uso con el vaso de 48 oz. / 1,4 L Advance® (vaso de 3 lados) de Vitamix®. El vaso estándar de 64 oz. / 2,0 L no cabe en la cubierta compacta de la unidad The Quiet One®. Llame al Servicio de Atención al Cliente de Vitamix al 800-886-5235 o a su distribuidor para obtener más información.
- Fuera de los Estados Unidos y Canadá, es posible que la máquina venga con una configuración de vaso diferente.

### **Cubierta posterior:**

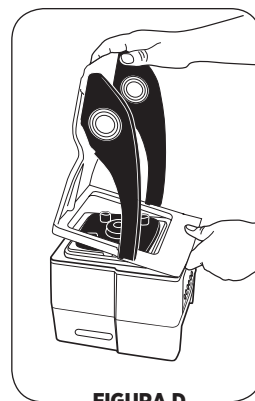
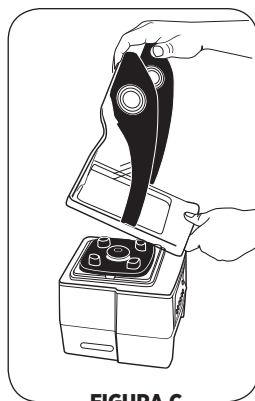
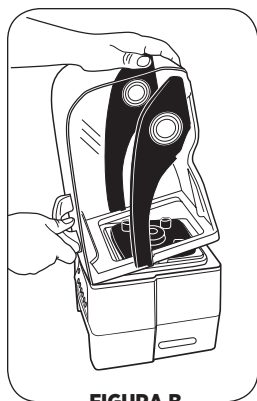
Para mejorar la reducción del ruido, la caja silenciadora de la máquina The Quiet One® se fija a la base usando un sistema magnético patentado. Además de las ventajas de reducción del ruido de licuado, en comparación con los sistemas con puertas instaladas mecánicamente, el sistema de unión magnética se puede retirar en forma rápida y fácil para limpiarlo.

### **Para retirar la caja silenciadora:**

- Primero cerciórese de haber retirado el vaso de la unidad.
- Tome la caja con ambas manos.
- Inclínala levemente hacia atrás y tirela directamente hacia arriba (consulte la Figura B).

### **Para volver a colocar la caja silenciadora:**

- Comience con la cubierta posterior retirada de su puerta.
- Alinee la abertura en la placa base de la cubierta posterior (consulte la Figura C).
- Comience en un costado de la almohadilla centrante y coloque lentamente la cubierta posterior en su posición cerciorándose de que la almohadilla silenciadora no quede apretada por ninguna parte de la placa base (consulte la Figura D).



# MONTAJE DE LA MÁQUINA

## **Tapa de dos piezas** (Figura A)

Vaso de 48 oz. / 1,4 L Advance®

**La tapa de dos piezas se puede limpiar, colocar, retirar y sellar fácilmente.**

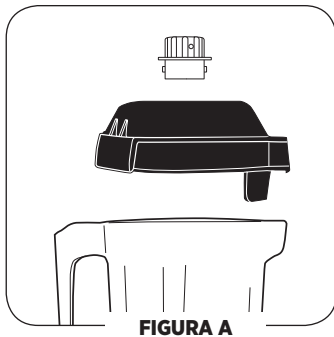
- Para retirar una tapa completamente cerrada con pestillo, levante las dos lengüetas y tire hacia arriba y hacia afuera.
- Gire el tapón del medio de la tapa para afianzarlo o quitarlo.

## **Tapa de una pieza** (Figura B)

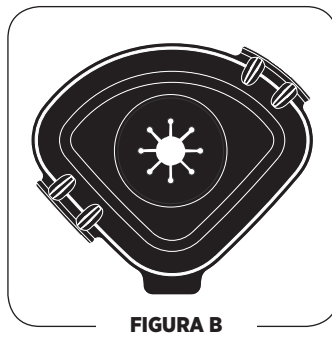
Vaso de 48 oz. / 1,4 L Advance®

**La tapa de una pieza se puede limpiar, colocar, retirar y sellar fácilmente.**

- Esta tapa no tiene tapón.
- Los ingredientes pueden agregarse por el orificio situado en la parte superior.



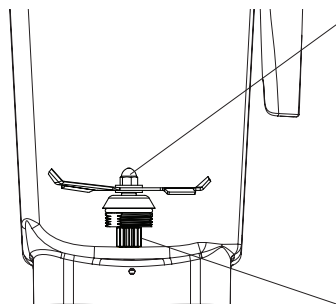
**FIGURA A**



**FIGURA B**

Para asegurar el tapón de la tapa, gírelo de manera que una de las lengüetas se bloquee entre las muescas en la parte superior de la tapa de goma

## Conjunto de cuchillas



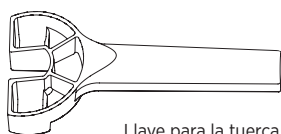
**Conjunto del agitador de cuchillas:** El conjunto de cuchillas incluye cuchillas de precisión de acero inoxidable endurecido con cojinetes esféricos de acero doblemente sellados y encapsulados para una máxima durabilidad. El resistente conjunto de cuchillas literalmente hace explotar las moléculas de los alimentos y del hielo en el vaso, ayudando así a homogeneizar la mezcla con más eficacia. No es necesario retirar las cuchillas para la limpieza normal. (Consulte la información a continuación sobre la extracción o colocación de elementos.)



**Eje estriado motriz:** Encaja en el acople en la base de motor para girar las cuchillas.

**Nota:** Si retira y vuelve a colocar el vaso mientras el acoplamiento aún está girando, estropeará los dientes del eje motriz. **(Esta pieza NO es desmontable.)**

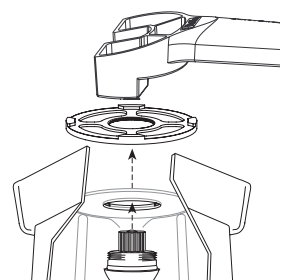
**Tuerca de sujeción:** Debe estar ajustada. Pida la llave para la tuerca de sujeción a fin de obtener mejores resultados. (Consulte la información a continuación sobre la extracción o colocación de elementos.)



Llave para la tuerca de sujeción

## Retiro del conjunto de cuchillas

A veces, puede que sea necesario limpiar más a fondo las cuchillas. Puede comprar la llave de uso fácil para extraer el conjunto de cuchillas (artículo núm. 15596). Invierta el vaso y sujételo con firmeza. Introduzca la llave para la tuerca de sujeción en la muesca de la tuerca y gírela en sentido antihorario para aflojarla. Luego sujete las cuchillas con un paño y retire la tuerca con la mano.



Llave para la tuerca de sujeción en uso

**Colocación del conjunto de cuchillas:** Con el vaso invertido, sujete las cuchillas con un paño, introdúzcalas en la parte inferior del vaso y alinéelas con los lados planos de la abertura del vaso. Coloque la tuerca de sujeción y apriétela con la mano. Gírela con cuidado en sentido horario hasta afianzarla con la llave.

**No la fuerce.** Si no está suficientemente apretada, notará que el vaso hace más ruido.



## ¡ADVERTENCIAS!

Nunca use el conjunto de cuchillas con componentes sueltos, dañados o mellados.

**Precaución:** ¡No retire las cuchillas ni el conjunto de cuchillas a menos que sea absolutamente necesario! Nunca intente desmontar el conjunto de cuchillas. Ello anulará la garantía.

# INSTALACIÓN

## Máquina empotrada

### Preparación del área del mostrador:

- Antes de hacer los orificios, asegúrese de que haya un espacio adecuado debajo del mostrador para el motor. El motor ocupará aproximadamente 3,0 pulg. / 7,6 cm debajo del mostrador, pero es mejor dejar un espacio de al menos 10,0 pulg. / 25,4 cm entre el mostrador y las repisas u otro equipo bajo el mismo. Además, al usar el diseño con cubierta desmontable, el espacio detrás del orificio debe estar a por menos 4,3 pulg. / 10,8 cm de toda pared con el objeto de que haya lugar para abrir la puerta de la cubierta.
- Se necesitará un espacio abierto adicional de 4,0 pulg. / 10,2 cm sobre la parte superior de la cubierta para la instalación y el retiro de la máquina empotrada.
- Si va a instalar la unidad en un armario con puertas, cortina o faldón extendido, debe usar un tubo flexible (manguera de secadora) con diámetro de 4,0 pulg. / 10,2 cm para la ventilación. Conecte el tubo al escape de la base encajando el extremo de la manguera en el deflector de escape de la unidad. Instale el tubo hacia afuera del armario para que haya ventilación apropiada. Si hay múltiples unidades instaladas, éstas no deben ventilarse hacia un sistema de múltiple común sino hacia diferentes lugares mediante tubos de ventilación individuales.
- Si va a hacer orificios para instalar varias unidades empotradas, coloque los bordes de las máquinas a una distancia de por lo menos 12,0 pulg. / 30,5 cm a fin de garantizar una limpieza rápida y una ventilación apropiada entre las unidades.
- Para la instalación empotrada de una unidad de 120 V, se recomienda contar con un tomacorriente de 20 amperios como mínimo por máquina bajo el mostrador, a 6 pies / 1,8 m de distancia de la máquina. Las unidades de 220 y 100 V requieren una línea dedicada. Consulte a un electricista los requisitos eléctricos correctos.
- La máquina empotrada requiere además una junta (viene en el embalaje original de la máquina) que debe colocarse entre la máquina y el mostrador.
- Consulte la plantilla de instalación empotrada de la máquina The Quiet One® (viene en el embalaje original de la máquina) para obtener las pautas de instalación detalladas y una plantilla.



### ¡ADVERTENCIAS!

**No** ventile la manguera hacia el interior de una pared, el techo ni un espacio oculto de un edificio o armario.

**No** use abrazaderas de manguera ni accesorios afines para conectar la manguera de escape a la máquina. Cuando retire la licuadora del mostrador, hágalo siempre quitando primero el vaso, la puerta de la cubierta y la cubierta posterior. No golpee la licuadora mientras la retira del mostrador. No use la junta para instalación empotrada en un mostrador de madera, ya que causará la decoloración del mismo.

### ¡NOTAS IMPORTANTES!

No use el modelo empotrado en mesas de madera. La junta situada entre la máquina y el mostrador dejará marcas negras permanentes en la madera. El área debajo del mostrador debe tener ventilación adecuada para proporcionar circulación de aire alrededor de cada motor. Esto prolongará la vida útil de la máquina. Si almacena polvos para cocinar, mezclas, azúcares, etc., asegúrese de que los envases estén bien sellados. La entrada y salida de aire provocada por el funcionamiento de la máquina dispersará todo producto suelto.

## Estación licuadora de sobremesa y empotrada

### Requisitos eléctricos:

- 120 V, 50/60 Hz, 15 amperios
- Usa un cable con conexión a tierra de tres clavijas para los EE.UU.
- Se recomienda un tomacorriente de 20 amperios por máquina.

### No use cables de extensión con la máquina.

- 220 – 240 V, 50/60 Hz, 1300 – 1550 vatios
- 100 V (Japón), 50/60 Hz, 1000 vatios

### Dimensiones de instalación en sobremesa:

- Altura de 18,0 pulg. / 45,7 cm con tapa cerrada
- Altura de 24,5 pulg. / 62,2 cm con tapa abierta
- Profundidad: 10,7 pulg. / 27,2 cm con mango
- Ancho: 8,5 pulg. / 21,6 cm

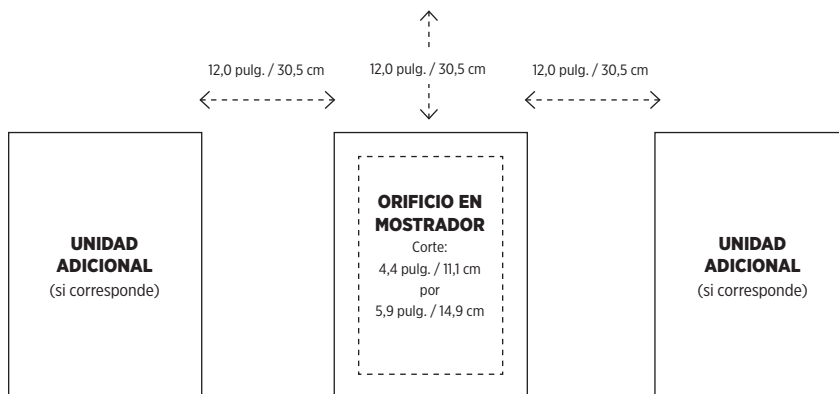
### Dimensiones de instalación empotrada:

- Altura de 16,5 pulg. / 41,9 cm con tapa cerrada
- Altura de 23,0 pulg. / 58,4 cm con tapa abierta
- Profundidad: 10,7 pulg. / 27,2 cm con mango
- Ancho: 8,5 pulg. / 21,6 cm
- Profundidad bajo el mostrador: 1,2 pulg. / 3,0 cm

### Distancia recomendada entre las máquinas y espacio por debajo del aparato o a la pared:

12,0 pulg. / 30,5 cm desde el borde de cada máquina o lo más alejadas posible

## Espacio por debajo de la máquina o pared



# CUIDADO DE LA MÁQUINA

## Productos de limpieza

Solid Supra, Solid Power, \_\_\_\_\_  
Guardian Acclaim, Solid Guardian Plus,  
Solid Super Impact, Solid Insure

Diverpak \_\_\_\_\_  
Eclipse H2, Liqui-Safe L7  
Acclean  
Poly-Brite

Glow MB-1 \_\_\_\_\_  
Lustre NC-25  
Lustre Plus

PSRA 41-D, PSRA 41-E \_\_\_\_\_  
Liqui-Ware 1, Liqui-Ware MC  
D-Flex, Sur-Met

## Proveedores en los EE.UU.

**Ecolab, Inc.**, St. Paul, MN  
800-352-5326  
www.ecolab.com

**Diversey**, Livonia, MI  
800-521-8140

**Wesmar Company, Inc.**  
Seattle, WA 206-783-5344  
www.wesmar.com

**Anderson Chemical Co.**  
Litchfield, MN  
800-366-2477  
www.andersonchemical.com

## Agentes de enjuague

Solid Rinse Dry, Solid Brilliance, \_\_\_\_\_  
Jet Dry, Rinse Dry

**Ecolab, Inc.**, St. Paul, MN  
800-352-5326  
www.ecolab.com

## Desmanchador

NuWare \_\_\_\_\_

**Diversey**, Livonia, MI  
800-521-8140

## ¡NOTAS IMPORTANTES!

**Productos de limpieza:** No use agentes limpiadores abrasivos ni blanqueador concentrado para limpiar. No use limpiadores que contengan desinfectantes cuaternarios sobre los componentes de policarbonato (por ejemplo, los vasos Advance® y las cubiertas). No use ninguno de los siguientes productos de limpieza: detergentes para lavavajillas automáticos, limpiadores de hornos, lana de acero ni ninguna esponja abrasiva.

**Cubierta:** No lave la puerta de la cubierta, el mango ni la cubierta posterior en el lavavajillas. No se recomienda desmontar el mango durante la limpieza. Sin embargo, si decide retirarlo de la cubierta, cerciódese de no apretarlo excesivamente al volver a colocarlo en la misma, pues lo dañará.

**Vaso:** No deje que las mezclas, los líquidos ni los alimentos se sequen en el vaso. Enjuáguelo después de usarlo. Los productos secos pueden bloquear las cuchillas y debilitar o menoscabar los sellos de los cojinetes cuando se vuelve a encender la máquina. Las temperaturas extremadamente bajas combinadas con ingredientes calientes y/o la acción rápida e inmediata de las cuchillas pueden agrietar el vaso. Debido a la naturaleza de los policarbonatos usados en los vasos Advance® y en el conjunto de caja silenciadora, no se recomienda usar el vaso en un horno microondas ni lavarlo en un lavavajillas.



**Base de motor/panel de control: Desenchufe el cable eléctrico.** Lave cuidadosamente la superficie externa con un paño de algodón humedecido en una solución suave de agua tibia\* y detergente no abrasivo o un limpiador líquido no abrasivo en aerosol. Tenga cuidado de no rayar ni fregar la ventana del visor en el panel de control. **Nunca sumerja la base de motor en agua ni en ningún otro líquido.** Séquela con un paño suave de algodón.

**Tapa:** Lávela con agua tibia y detergente. Enjuáguela debajo de agua corriente y séquela.

**Puerta de la cubierta:** La cubierta se puede retirar (consulte las páginas 42 y 43) y limpiar colocándola debajo de agua corriente y lavándola con un paño suave. Séquela con un paño y vuelva a colocarla en la base.

**Junta silenciadora y almohadilla centrante del vaso:** La junta silenciadora situada entre la base y la puerta de la cubierta se puede retirar para limpiarla simplemente desprendiéndola de la base tras haberse retirado la cubierta. (Consulte las páginas 42 y 43 para retirar la cubierta)

Lave la junta y la almohadilla con agua tibia y detergente. Enjuáguelas debajo de agua corriente y séquelas. Vuelva a montarlas antes de usar la máquina. Para reinstalar la junta silenciadora, simplemente colóquela en la base cerciorándose de que encaje firmemente contra la almohadilla centrante. Vuelva a colocar la caja silenciadora tal como se indica en la página 43. Cerciórese de que la junta quede asentada correctamente contra la licuadora y la almohadilla centrante. La junta y la almohadilla centrante deben quedar planas sobre la base de motor.

**Vaso:** El vaso Advance® ha sido diseñado para ser químicamente resistente. Sin embargo, para maximizar su vida útil, se recomienda lavarlo a mano.

**Para limpiarlo:** Lave todas las piezas del vaso con agua tibia y detergente. Enjuáguelas y drénelas. No ponga en remojo el conjunto del agitador de cuchillas.\*\*

**Para desinfectarlo:** Si no quedan residuos sólidos, llene  $\frac{3}{4}$  partes del vaso con una mezcla desinfectante.\*\*\* Vuelva a ubicar el vaso en la base de motor y coloque firmemente la tapa de dos piezas. Haga funcionar la máquina durante 30 segundos a alta velocidad. Apague la máquina y deje que la mezcla repose en el vaso durante 1  $\frac{1}{2}$  minutos más. Vacíe la mezcla de blanqueador. Vuelva a colocar el vaso en la base de motor y haga funcionar la máquina vacía durante 5 segundos más. No lo enjuague tras desinfectarlo. Deje que el vaso se seque al aire libre.

## ¡NOTAS IMPORTANTES!

**Junta silenciadora:** No la lave en el lavavajillas. Las temperaturas altas y los productos químicos pueden hacer que la almohadilla se dilate. No la ponga en remojo. La junta puede absorber el agua y dilatarse. Puede tardar entre 24 - 48 horas en secarse al aire antes de recuperar su tamaño original.

**Conjunto de cuchillas:** No ponga en remojo el conjunto del agitador de cuchillas.

\* Cerciórese de estrujar el exceso de agua del paño o la esponja cuando limpie los controles o alguna pieza eléctrica.

\*\* Para prolongar la vida útil del vaso de policarbonato, Vitamix recomienda usar detergentes con un equilibrio de pH bajo, como el detergente líquido para vajilla Ivory Liquid®. Debido a la naturaleza de los policarbonatos no se recomienda lavar el vaso en un lavavajillas automático.

\*\*\* Solución desinfectante recomendada: 1,5 cucharadita / 7,4 mL de blanqueador de uso institucional o doméstico en 2 ct. / 1,9 L de agua.

# SOLUCIÓN DE PROBLEMAS

<b>Problemas:</b>	<b>Soluciones:</b>
<ul style="list-style-type: none"> <li>• Ruido fuerte proveniente del área de las cuchillas del vaso de la licuadora</li> <li>• Las cuchillas del vaso no giran</li> <li>• Aumento de la vibración</li> <li>• Fugas desde el fondo del vaso</li> </ul>	<ul style="list-style-type: none"> <li>a. Acople roto o desgastado. Reemplácelo (artículo núm. 891). Las instrucciones vienen incluidas con la pieza.</li> <li>b. Revise el conjunto de cuchillas por si hay componentes sueltos, dañados o mellados y reemplácelos.</li> <li>c. Apriete la tuerca de sujeción girando en sentido horario la llave para dicha tuerca. (Consulte la página 45.)</li> </ul>
<ul style="list-style-type: none"> <li>• Fuertes chirridos provenientes del motor de la licuadora</li> </ul>	<p>Cojinetes del motor dañados, es posible que deba reparar la máquina.</p>
<ul style="list-style-type: none"> <li>• La máquina no funciona</li> <li>• El visor no muestra el mensaje "Ready" (Listo)</li> </ul>	<ul style="list-style-type: none"> <li>a. Vuelva a verificar que el cable eléctrico esté firmemente enchufado al tomacorriente.</li> <li>b. Verifique que interruptor On/Off (Encendido/ Apagado) esté en la posición de encendido.</li> <li>c. Apague el interruptor On/Off (Encendido/ Apagado), luego enciéndalo para reiniciar los ajustes electrónicos.</li> </ul>
<ul style="list-style-type: none"> <li>• La máquina arranca y después se apaga</li> </ul>	<p>Verifique que la máquina reciba suministro eléctrico.</p>
<ul style="list-style-type: none"> <li>• El visor muestra el mensaje "SHUT DOWN SEE MANUAL" (APAGUE LA MÁQUINA, CONSULTE EL MANUAL)</li> </ul>	<p>Deje que la máquina se enfríe durante una hora, luego vuelva a arrancarla.</p>
<ul style="list-style-type: none"> <li>• El visor muestra el mensaje "MOTOR LOCKED PROGRAM TERMINATED" (MOTOR BLOQUEADO, PROGRAMA TERMINADO)</li> </ul>	<p>Deje que la máquina se enfríe durante una hora, luego vuelva a arrancarla.</p>
<ul style="list-style-type: none"> <li>• La máquina funciona en forma irregular</li> <li>• Cuando se oprime un botón, aparece el mensaje "NO PROGRAM" (NO HAY PROGRAMA)</li> <li>• El botón oprimido inicia el programa equivocado</li> <li>• La máquina arranca sola</li> <li>• El botón de un programa específico está defectuoso</li> <li>• Se apagó la máquina por un día, una semana o un mes, y después de encenderla no recibe suministro</li> <li>• La máquina no funcionó la primera vez que se intentó encenderla</li> <li>• La máquina funciona, pero no hay información en el visor</li> <li>• Los botones de programas hacen funcionar la licuadora a la misma velocidad</li> </ul>	<ul style="list-style-type: none"> <li>a. Apague la máquina y vuelva a encenderla para reiniciar la programación.</li> <li>b. Intente enchufar la máquina en otro tomacorriente.</li> </ul>

<b>Problemas:</b>	<b>Soluciones:</b>
<ul style="list-style-type: none"> <li>El visor muestra el mensaje "CORRUPT DATA" (DATOS CORRUPTOS)</li> </ul>	<p>Apague la máquina y vuelva a encenderla para reiniciar la programación.</p>
<ul style="list-style-type: none"> <li>La ventana del visor muestra el mensaje "THERMAL SENSOR FAILURE" (FALLA EN EL SENSOR TÉRMICO)</li> </ul>	<p>Llame al servicio técnico de Vitamix.</p>
<ul style="list-style-type: none"> <li>La máquina se detiene y se reinicia en el medio de su ciclo de licuado; el visor muestra el mensaje "VITA-MIX GENERAL PROGRAM" (PROGRAMA GENERAL DE VITA-MIX) y, luego el mensaje "READY" (LISTO)</li> </ul>	<ul style="list-style-type: none"> <li><b>a.</b> Enchufe la máquina en su propio su ministro eléctrico.</li> <li><b>b.</b> Cerciórese de que la máquina no esté conectada a un cable de extensión largo.</li> </ul>
<ul style="list-style-type: none"> <li>Si la máquina está sobrecalentada: El motor se detendrá y a lo largo del visor se desplazará el mensaje "MOTOR HAS OVERHEATED REMOVE THE CONTAINER, THEN PRESS START" (EL MOTOR ESTÁ SOBRECIENTADO, RETIRE EL VASO Y OPRIMA START [ARRANQUE]), mientras que la frase "HOT SHUTDOWN" (APAGADO POR ALTA TEMPERATURA) permanecerá en el visor advirtiéndole sobre el problema.</li> </ul>	<p>Retire el vaso, cierre la puerta de la cubierta, oprima el botón Start/Stop (Arranque/Parada) y haga funcionar la máquina durante dos minutos. Cuando el motor esté frío, aparecerá en el visor el mensaje "READY" (LISTO).</p>

**Si no puede reparar la máquina con estas sugerencias**, obtenga ayuda experta llamando al servicio técnico de Vitamix® al 800-886-5235. Si la adquirió fuera de los EE. UU., comuníquese con el Distribuidor local de Vitamix o con la División Internacional de Vitamix llamando al +1.440.782.2450 o enviando un correo electrónica a [international@vitamix.com](mailto:international@vitamix.com) para encontrar un distribuidor en su país. Para obtener ayuda en línea, visite [www.vitamix.com/foodservice](http://www.vitamix.com/foodservice).

# GARANTÍA

## GARANTÍA LIMITADA

Para maximizar la vida útil y mantener su producto Vitamix® en buen estado, es importante que siga unos cuantos consejos de mantenimiento sencillos:

1. Inspeccione periódicamente el acople por si presenta deterioro, grietas o roturas. Si está dañado, reemplácelo por el acople de repuesto que viene con la licuadora. Si desea adquirir acoples de repuesto adicionales comuníquese con Vitamix llamando al 1-800-437-4654 (1-800-4DRINK4) para encontrar un vendedor en su localidad. Los clientes que viven fuera de los EE.UU., pueden comunicarse con el Distribuidor autorizado de Vitamix o con la División Internacional de Vitamix llamando al +1.440.782.2450 o enviando un correo electrónico a [international@vitamix.com](mailto:international@vitamix.com) para encontrar un distribuidor cerca de su domicilio.
2. Gire manualmente el conjunto de cojinetes de las cuchillas para cerciorarse de que rote sin vacilar o no gire demasiado libremente. Si las cuchillas vacilan o giran demasiado libremente, comuníquese con Vitamix llamando al 1-800-437-4654 (1-800-4DRINK4) para obtener información de garantía o encontrar un vendedor en su localidad. Los clientes que viven fuera de los EE.UU., pueden comunicarse con el Distribuidor autorizado de Vitamix o con la División Internacional de Vitamix llamando al +1.440.782.2450 o enviando un correo electrónico a [international@vitamix.com](mailto:international@vitamix.com) para encontrar un distribuidor cerca de su domicilio.
3. Nunca haga funcionar la máquina si la almohadilla centrante no está correctamente situada en la base. Vita-Mix® Corporation (en adelante "Vita-Mix") garantiza al usuario final original (se requiere comprobante de compra) que adquirió el producto en los EE.UU., que esta licuadora Vita-Mix de uso comercial (en adelante el "Equipo") no presentará defectos de material ni mano de obra durante los períodos de garantía pertinentes para el Equipo según se describen en la presente garantía y que están sujetos a las condiciones establecidas a continuación.

### Base de motor

Vita-Mix garantiza al usuario final original que:

- Si la base de motor fallara dentro de treinta (30) días a partir de la fecha de compra, Vita-Mix la reemplazará sin costo alguno.
- Si la base de motor fallara después de treinta (30) días, pero dentro de un año a partir de la fecha de compra, debido a defectos de material o mano de obra, Vita-Mix asumirá el costo de todas las piezas y de la mano de obra que sean necesarios para repararla.
- Si la base de motor fallara después de un año, pero dentro de tres (3) años a partir de la fecha de compra, debido a defectos de material o mano de obra, Vita-Mix asumirá el costo de todas las piezas que sean necesarias para repararla.

### Vaso, tapa, conjunto de cuchillas, acople y caja silenciadora (si se incluyera)

El vaso, la tapa, el conjunto de cuchillas, el acople y cuando corresponda, una caja silenciadora fabricada por Vita-Mix, están garantizados contra defectos de material y mano de obra durante un año a partir de la fecha de compra.

### Condiciones

- Las garantías contenidas en el presente manual rigen exclusivamente para el usuario final y son intransferibles. Para interponer un reclamo de garantía se debe presentar el comprobante de compra.

- Esta garantía es la única solución para el comprador, establece las obligaciones exclusivas de Vita-Mix, y no cubre el desgaste normal, abuso, uso indebido, uso negligente, la alteración de la base o del vaso (o de la caja silenciadora), ni la exposición a condiciones extremas y sólo es válida si el Equipo se utiliza de acuerdo con el folleto de instrucciones adjunto (al cual se puede acceder también en el sitio web [www.vitamix.com/foodservice](http://www.vitamix.com/foodservice)).
- Si corresponde, la instalación o ventilación incorrecta en el caso del modelo empotrado del Equipo, o el colocar el Equipo en una caja silenciadora no fabricada por Vita-Mix anulará la garantía.
- Esta garantía quedará nula si la reparación del Equipo la efectúa una persona ajena a Vita-Mix o un centro de servicio no autorizado por Vita-Mix. Vita-Mix no se responsabiliza por el costo de reparaciones no autorizadas.
- La única obligación de Vita-Mix bajo esta garantía es reparar o reemplazar la o las piezas en garantía según lo determine Vita-Mix a su exclusivo criterio.

**En ningún caso, ya sea que se base en contrato, indemnización, garantía, daños (incluyendo negligencia), responsabilidad absoluta o de cualquier otro modo, Vita-Mix será responsable de ningún daño especial, indirecto, incidental ni consecuente, incluyendo, pero sin limitarse a ello, pérdida de ganancias o ingresos. La garantía limitada antedicha constituye la única solución para usted, y mediante la presente usted y Vita-Mix renuncian expresamente a todas las demás garantías o condiciones, expresas o implícitas, estatutarias o de cualquier otro modo, incluyendo toda garantía implícita de comerciabilidad o idoneidad para un fin o uso en particular, y, sin limitar la generalidad de la presente garantía, usted y Vita-Mix excluyen expresamente, en la medida que lo permita la ley, la aplicación de toda legislación de venta de mercadería y la convención de las Naciones Unidas sobre contratos de compra y venta internacionales de mercadería, según pueda ser pertinente.**

Algunas jurisdicciones no permiten limitaciones en cuanto a la duración de las garantías implícitas ni permiten la exclusión de la limitación de daños incidentales o consecuentes.

Ningún empleado de Vita-Mix ni ninguna otra persona está autorizada para ofrecer una garantía adicional ni para enmendar las garantías aquí establecidas. Si desea obtener más detalles de garantía para productos comprados fuera de los EE.UU., comuníquese con el Distribuidor autorizado de Vita-Mix o con la División Internacional de Vita-Mix llamando al +1.440.782.2450 o enviando un correo electrónico a [international@vitamix.com](mailto:international@vitamix.com) para encontrar un distribuidor cerca de su domicilio.

En caso de que su licuadora Vita-Mix requiera servicio o reparación cubiertos por los términos de esta garantía, llame a Vita-Mix Corporation a fin de obtener asistencia al respecto. Para las máquinas compradas en los EE.UU., llame al Servicio técnico de Vita-Mix al: 800-886- 5235. Si la compra ocurrió fuera de EE.UU. continental, comuníquese con el Distribuidor autorizado de Vita-Mix o con la División Internacional de Vita-Mix llamando al +1.440.782.2450 o enviando un correo electrónico a [international@vitamix.com](mailto:international@vitamix.com) para encontrar un distribuidor cerca de su domicilio.

Todo artículo enviado a Vita-Mix conforme los términos aquí establecidos debe enviarse en el envase original o en un embalaje apto para tal fin. El cliente es responsable de los costos de enviar el producto para obtener el servicio de garantía. No devuelva ni envíe los productos sin la aprobación de Vita-Mix. Todos los retornos de productos deben tener el número de autorización de devolución claramente marcado en el exterior de la caja. Todo producto enviado a Vita-Mix sin autorización ni aprobación previas será devuelto a la dirección de la empresa de transportes "tal como está", sin haberlo reparado.

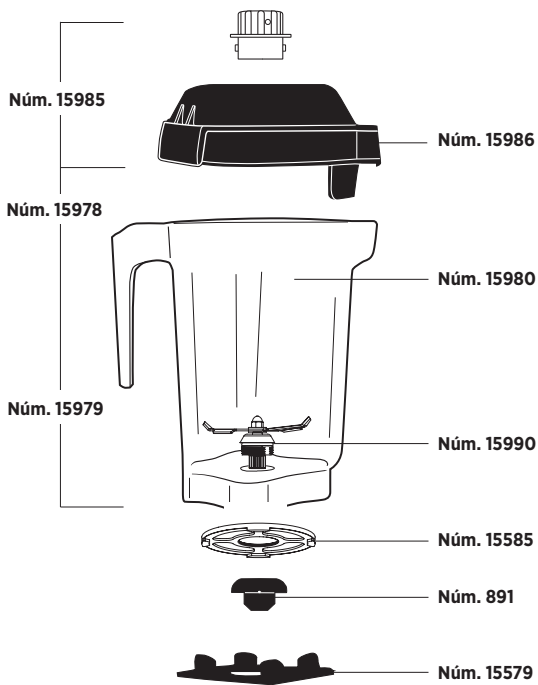
# LISTA DE PIEZAS

## The Quiet One®

- Núm. 15092** Tapa antisalpicaduras para el vaso de 48 oz. / 1,4 L Advance®
- Núm. 15986** Tapa solamente (sin tapón) para el vaso de 48 oz. / 1,4 L Advance®
- Núm. 15985** Conjunto de tapa de dos piezas para el vaso de 48 oz. / 1,4 L Advance®
- Núm. 15978** Vaso de 48 oz. / 1,4 L Advance®, conjunto de cuchillas y conjunto de la tapa
- Núm. 15980** Vaso de 48 oz. / 1,4 L Advance® solamente
- Núm. 15979** Vaso de 48 oz. / 1,4 L Advance®, conjunto de cuchillas, conjunto sin tapa
- Núm. 15990** Conjunto del agitador de cuchillas Advance®
- Núm. 15585** Tuerca de sujeción
- Núm. 891** Acople
- Núm. 15579** Almohadilla centrante silenciadora
- Núm. 15080** Cubierta posterior compacta y puerta de la cubierta con diseño embisagrado desmontable
- Núm. 15081** Puerta de la cubierta compacta
- Núm. 15082** Cubierta posterior compacta
- Núm. 15107** Junta aislante
- Núm. 15083** Junta para instalación empotrada

## ¡NOTAS IMPORTANTES!

- Fuera de los EE.UU. y Canadá, es posible que la máquina venga con una configuración de vaso diferente. Póngase en contacto con su distribuidor local de Vitamix para obtener los números de los artículos.
- Aparte del acople, el conjunto de cuchillas y la tuerca de sujeción, esta unidad no puede ser reparada por el usuario.



**Artículos que se venden por separado:**



**Núm. 15606**  
Kit de software  
Versión USB



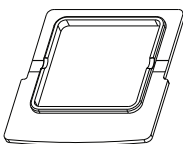
**Núm. 15644**  
Chip de programación  
adicional para el kit  
de software



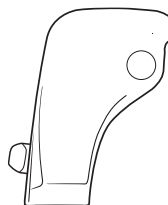
**Núm. 15988**  
Tapa de una pieza



**Núm. 15596**  
Llave para la tuerca  
de sujeción



**Núm. 15107**



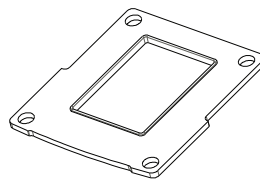
**Núm. 15081**



**Núm. 15082**



**Núm. 15080**



**Núm. 15083**

# ESPECIFICACIONES

## The Quiet One®

### Requisitos eléctricos:

- 120 V, 50/60 Hz, 15 amperios
- Usa un cable con conexión a tierra de tres clavijas para los EE.UU.
- Se recomienda un tomacorriente de 20 amperios por máquina.

### No use cables de extensión con la máquina.

- 220 - 240 V, 50/60 Hz, 1300 - 1550 vatios
- 100 V (Japón), 50/60 Hz, 1000 vatios

### Dimensiones de instalación en sobremesa:

- Altura de 18,0 pulg. / 45,7 cm con tapa cerrada
- Altura de 24,5 pulg. / 62,2 cm con tapa abierta
- Profundidad: 10,7 pulg. / 27,2 cm con mango
- Ancho: 8,5 pulg. / 21,6 cm

### Dimensiones de instalación empotrada:

- Altura de 16,5 pulg. / 41,9 cm con tapa cerrada
- Altura de 23,0 pulg. / 58,4 cm con tapa abierta
- Profundidad: 10,7 pulg. / 27,2 cm con mango
- Ancho: 8,5 pulg. / 21,6 cm
- Profundidad bajo el mostrador: 1,2 pulg. / 3,0 cm

Según corresponda:



Para ver la línea completa de productos Vitamix®,  
visite el sitio web [vitamix.com/foodservice](http://vitamix.com/foodservice)



### Vita-Mix® Corporation Commercial Division

8615 Usher Road, Cleveland, Ohio 44138 U.S.A.

Tel: +1.440.235.0214 Correo electrónico: [commercial@vitamix.com](mailto:commercial@vitamix.com)

©2010 Vita-Mix Corporation. No está permitido reproducir ni transmitir ninguna parte de esta publicación, de forma alguna ni por ningún medio, ni almacenarla en una base de datos o un sistema de recuperación sin la autorización por escrito de Vita-Mix Corporation.

Impreso en EE.UU. 102865 12/10





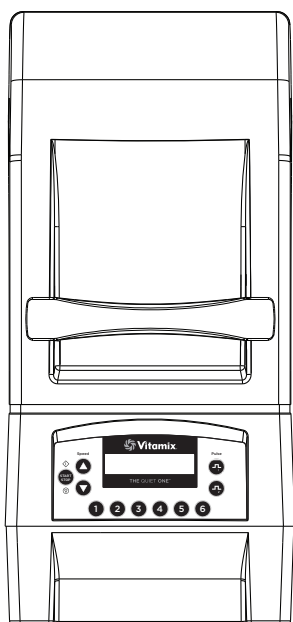
## The Quiet One®

Station de Mélange

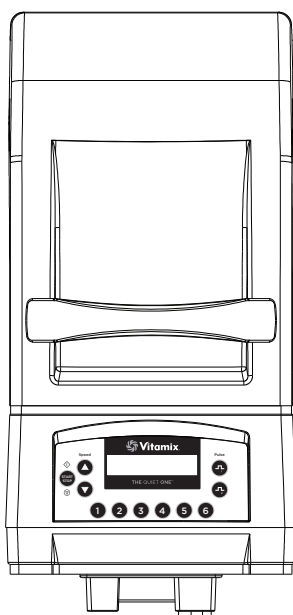
TOUS MODÈLES

### Manuel d'utilisation et d'entretien

Lire et conserver ces instructions



**SUR LE PLAN DE TRAVAIL**



**INTÉGRÉE AU PLAN DE TRAVAIL**

ENGLISH

ESPAÑOL

FRANÇAIS



# TABLE DES MATIÈRES

<b>English</b> .....	<b>1</b>
<b>Español</b> .....	<b>29</b>
<b>Français</b> .....	<b>57</b>
<b>Précautions Importantes</b> .....	<b>60</b>
<b>Instructions Générales</b> .....	<b>62</b>
<b>Panneau de Contrôle</b> .....	<b>64</b>
<b>Programmation</b> .....	<b>68</b>
Programmation des Boutons Préréglés	
Programmation de la Puce Personnalisée	
Réglage des Boutons Préréglés	
Options de Recette	
<b>Montage de l'appareil</b> .....	<b>72</b>
Couvercle Compact	
Couvercle	
Assemblage de Lames	
<b>Installation</b> .....	<b>76</b>
<b>Entretien de Votre Appareil</b> .....	<b>78</b>
<b>Dépannage</b> .....	<b>80</b>
<b>Garantie</b> .....	<b>82</b>
<b>Liste des Pièces</b> .....	<b>84</b>
<b>Spécifications du Produit</b> .....	<b>86</b>

# PRÉCAUTIONS IMPORTANTES

1. Lire toutes ces instructions.
2. Pour vous protéger des chocs électriques, ne pas immerger le socle-moteur dans l'eau ou dans d'autres liquides.
3. La machine doit être surveillée de près si elle est utilisée par des enfants ou à proximité d'enfants.
4. Débrancher le cordon d'alimentation de la prise murale lorsque l'appareil Vitamix® n'est pas en service, avant de le démonter, lors de l'installation et du démontage des pièces et avant tout nettoyage autre que le nettoyage du bol.
5. Ne jamais toucher les pièces en mouvement, particulièrement les lames.
6. Ne pas utiliser un appareil qui ne fonctionne pas correctement, dont le câble électrique est endommagé, un appareil qui est tombé ou qui est endommagé de quelque manière que ce soit. Si vous avez acheté votre appareil aux É.-U., contactez le **Service d'assistance technique Vitamix au 800-886-5235**, pour que votre appareil soit examiné, réparé, potentiellement échangé ou bien pour que ses fonctions électriques ou mécaniques soient ajustées. Si vous avez effectué votre achat en dehors des É.-U., veuillez contacter votre Distributeur Vitamix agréé, ou communiquez avec la Division internationale Vitamix au +1.440.782.2450 ou bien par courriel : international@vitamix.com pour trouver un distributeur près de chez vous.
7. Ne pas utiliser d'accessoires qui ne sont pas recommandés ou vendus par Vitamix, au risque d'annuler la garantie. **Il est n'est pas recommandé d'altérer ou de modifier ce produit de quelque façon que ce soit au risque de causer des blessures.**
8. **Ne pas utiliser pas ce produit à l'extérieur.**
9. Ne pas laisser le cordon d'alimentation entrer en contact avec des surfaces chaudes ou bien pendre d'une table ou d'un comptoir.
10. Ne pas placer cet appareil sur ou à proximité d'une cuisinière à gaz ou électrique, ou bien dans un four chaud et ne pas laisser l'appareil entrer en contact avec des surfaces chaudes. Les sources extérieures de chaleur peuvent endommager l'appareil.
11. Conserver les mains et les ustensiles à l'extérieur du bol lorsque le moteur est en fonctionnement afin de limiter les risques de blessures sévères et/ou de dommages à l'appareil. Une spatule souple peut être utilisée, mais uniquement lorsque l'appareil Vitamix n'est pas en fonctionnement.
12. **AVERTISSEMENT : Les lames sont coupantes. Manipuler avec précaution.**
  - Ne jamais essayer de retirer les lames lorsque le bol est posé sur le socle-moteur.
  - Ne pas utiliser de lames desserrées, ébréchées ou endommagées - les remplacer immédiatement.
  - Afin de limiter les risques de blessures, ne jamais placer l'assemblage de lame sur le socle-moteur sans que le bol Vitamix y soit correctement encastré.
13. La capacité maximale correspond à la quantité en onces (litres) marquée sur le bol, c.-à-d. 48 oz. / 1,4 L, cette quantité est substantiellement réduite pour les mélanges épais.
14. **Ne jamais faire fonctionner le mélangeur Vitamix sans que le couvercle soit correctement en place.**
15. La fenêtre d'affichage risque d'être rayée si elle entre en contact avec un tampon à récurer ou avec des objets pointus. Utiliser un chiffon doux pour essuyer la zone du panneau de contrôle.
16. La station de mélange ne doit pas être nettoyée au jet d'eau.
17. Pour une installation en 120 V, il est recommandé d'utiliser au minimum une prise électrique de 20 amp par appareil, à une distance de 6 pi. / 1,8 m du Vitamix. Les machines 220 V et 100 V nécessitent une ligne spécialisée. **Consultez un électricien pour connaître vos besoins électriques.**

18. **ATTENTION** : Éteindre le courant ou débrancher l'appareil avant de toucher les pièces mobiles. Positionner l'interrupteur sur Off (Arrêt) pendant la nuit ou lorsque l'appareil est laissé sans surveillance.

## Conserver ces Instructions de sécurité

- Le cordon d'alimentation américain du mélangeur Vitamix est muni d'une fiche à trois broches (de mise à la terre) qui se branche dans une prise murale à trois fentes standard (Figure A). **Ce câble est différent pour les pays autres que les États-Unis d'Amérique.**
- Des adaptateurs (Figure B) sont disponibles pour les prises à deux fentes. Ne pas couper et ne pas enlever la troisième broche (de mise à la terre) de la prise ou du câble.
- Consulter un électricien si vous ne savez pas si votre prise électrique murale est mise à la terre par le câblage du bâtiment. Pour les fiches à deux broches correctement reliées à la terre, la mise à la terre de l'appareil s'effectue en connectant la languette de l'adaptateur à la prise électrique murale grâce à la vis au centre du cache (Figure B).



### AVERTISSEMENT!

Si la préparation est mélangée pendant trop longtemps, l'appareil risque de surchauffer et le bol d'être endommagé.

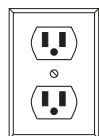


FIGURE A

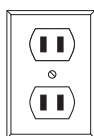


FIGURE B

### REMARQUES IMPORTANTES!

Les instructions contenues dans ce Manuel d'utilisation et d'entretien ne sauraient couvrir toutes les conditions et les circonstances d'utilisation possibles. Il convient de faire preuve de bon sens et de prudence lors de l'utilisation et de l'entretien des appareils.

# INSTRUCTIONS GÉNÉRALES

## Instructions d'utilisation des boutons de programmes préréglés

Ce qui suit décrit les réglages de base des six boutons de programmes préréglés The Quiet One®. Ces programmes, numérotés de 1 à 6, sont des cycles de mélange conçus pour les boissons les plus courantes. Selon la viscosité de la boisson que vous préparez, l'appareil fonctionnera pour un cycle complet en fonction de votre choix de programme préréglé. L'appareil s'arrêtera de lui-même lorsque le cycle est terminé. Les cycles sont de durée et de vitesse variables. Les options prérégées de votre appareil peuvent varier selon les révisions apportées au programme ou les différences dans les recettes; le résultat que vous obtiendrez peut varier en fonction.

**BOUTON 1 : Usage générique / Yogourt fouetté** – mélange le yogourt fouetté et les boissons légères à base de jus et de glace pour leur donner une consistance crémeuse. (:18)

**BOUTON 2 : Double Yogourt fouetté** – mélange les boissons similaires au bouton 1 mais en plus grande quantité. (:18)

**BOUTON 3 : Café glacé et Jus** – mélange les boissons au café légères pour leur donner une consistance crémeuse. (:18)

**BOUTON 4 : Boissons à la crème glacée** – mélange les boissons contenant de la crème glacée dure pour leur donner une consistance de lait fouetté épais. (:28)

**BOUTON 5 : Boissons à la crème glacée doubles et difficiles à mélanger.** (:20)

**BOUTON 6 : Yogourt fouetté épais et difficile à mélanger** – mélange les fruits congelés et les ingrédients durs pour obtenir un yogourt fouetté épais mais homogène. (:28)

## Conseils de mélange

1. Placer tout d'abord les liquides et les aliments mous dans le bol, suivis des aliments solides et enfin de la glace. Bien que ce ne soit pas absolument nécessaire, vous pouvez choisir de couper ou de briser les aliments en petits morceaux afin de pouvoir les mesurer plus précisément. Il est recommandé d'utiliser des fruits décongelés ou partiellement décongelés.
2. En règle générale, par rapport aux autres mélangeurs, vous n'avez pas besoin d'autant de glace pour préparer une boisson glacée avec The Quiet One®. Si les ingrédients gèlent, essayer de réduire la quantité de glace.
3. Enclencher le bol sur le socle-moteur en alignant celui-ci au socle de centrage ancré à la base. **(Le moteur doit être à l'arrêt complet avant de mettre le bol en position).** Les bols ne doivent pas être utilisés pour des aliments durs ou secs. Éviter de faire fonctionner l'appareil si le bol est vide.
4. Toujours utiliser un couvercle fixé correctement en place lors du mélange.
5. Brancher l'appareil dans la prise électrique la plus proche (s'il est débranché). Appuyer sur l'interrupteur On/Off (Marche/Arrêt) pour allumer l'appareil. Sélectionner le réglage préprogrammé souhaité en appuyant sur l'un des boutons de programmation numérotés de 1 à 6. L'appareil commencera immédiatement à mettre en œuvre le programme et s'éteindra lorsque le programme sera terminé. **(REMARQUE : Chaque bouton déclenche un mélange ayant une combinaison différente en termes de vitesse et de durée.)**
6. Dès que l'un des boutons de programme préréglé est enclenché, l'appareil se met en route et il s'arrêtera automatiquement. Si un autre bouton de programme préréglé est enclenché, le cycle de mélange s'arrête.

7. Lorsque le cycle est terminé, le mélangeur s'arrête. **Attendre que les lames soient complètement immobiles avant d'enlever le couvercle et/ou le bol du socle-moteur.**
8. Retirer le bol, verser, garnir et servir la boisson.
9. Positionner l'interrupteur On/Off (Marche/Arrêt) sur Off (Arrêt) lorsque l'appareil n'est pas utilisé.

## Conseils d'entretien

- **Ne jamais cogner le bol contre une surface dure pour décoller les ingrédients.**  
Enlever le bol de la base et utiliser une spatule souple pour récupérer les préparations épaisses du fond du bol.
- **Ne jamais secouer un bol quand il est en marche sur l'appareil.**
- **Ne jamais retirer le bol avant que l'appareil soit complètement arrêté.**
- **Ne jamais allumer le moteur avant que le bol soit en place.**



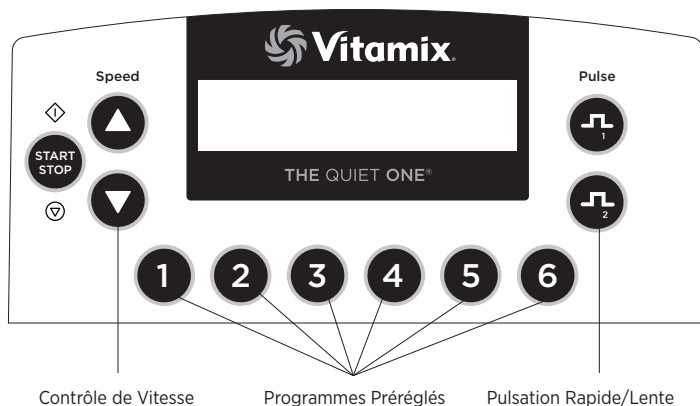
## AVERTISSEMENT!

- Éteindre le courant ou débrancher l'appareil avant de toucher les pièces mobiles. Positionner l'interrupteur sur Off (Arrêt) pendant la nuit ou lorsque l'appareil est laissé sans surveillance.
- En cas de modification du bruit de la machine ou si un objet extérieur ou dur entre en contact avec les lames, ne pas servir la boisson. Inspecter l'assemblage de lames pour vérifier qu'il n'y a pas de pièces manquantes, desserrées ou ébréchées. S'il y a des pièces manquantes, desserrées ou ébréchées, remplacer l'assemblage de lames. (Voir page 73.)

## REMARQUES IMPORTANTES!

- Inspecter les lames quotidiennement pour vérifier qu'il n'y a pas de pièces manquantes, desserrées ou ébréchées. Si une pièce s'avère manquante, ébréchée ou desserrée, remplacer l'assemblage de lames avant utilisation (voir page 73). Ne pas essayer de visser la vis à tête hexagonale (sur le dessus de l'assemblage de lame). Si celle-ci est desserrée, remplacer l'assemblage de lame immédiatement.
- Les instructions contenues dans ce Manuel d'utilisation et d'entretien ne sauraient couvrir toutes les conditions et les circonstances d'utilisation possibles. Il convient de faire preuve de bon sens et de prudence lors de l'utilisation et de l'entretien des appareils.
- L'interrupteur thermique, intégré à tous les appareils, surveille l'échauffement du moteur et avertira l'utilisateur, et éventuellement coupera le moteur, si celui-ci surchauffe. Si une surchauffe se produit, l'affichage invitera l'utilisateur à retirer le bol et à faire fonctionner l'appareil jusqu'à ce qu'il refroidisse. Cette opération prend environ deux minutes. Consulter la page 79, « Refroidir le moteur », pour les instructions complètes. Si l'interrupteur thermique coupe le moteur, examiner les procédures de travail et les instructions. Il se peut que votre préparation soit trop épaisse ou contienne trop d'ingrédients. Vous pouvez ajouter davantage de liquide et consulter le Service à la clientèle Vitamix ou votre Distributeur Vitamix local si vous avez besoin d'aide.

## PANNEAU DE CONTRÔLE



**Interrupteur On/Off (Marche/Arrêt) :** Situé à l'arrière du socle-moteur, l'interrupteur On/Off (Marche/Arrêt) contrôle l'alimentation électrique de l'appareil. Quand l'appareil est branché, positionner l'interrupteur sur on pour préparer la machine à mélanger. Positionner l'interrupteur sur Off (Arrêt) pendant la nuit ou lorsque l'appareil est laissé sans surveillance.

**Bouton Start/Stop (Démarrage/Arrêt) :** Appuyez sur le bouton Start (◀▶)/Stop (Ⓢ) (Démarrage/Arrêt) pour démarrer et faire fonctionner l'appareil et faire tourner la lame. Appuyer à nouveau sur le bouton Start/Stop pour arrêter l'appareil et les lames.

**Boutons Speed (Vitesse) :** Appuyer sur le bouton ▲ pour augmenter graduellement la vitesse des lames en incréments de 1%, jusqu'à 100%. Appuyer sur le bouton ▼ pour diminuer graduellement la vitesse des lames en incréments de 1%, jusqu'à 7%. Speed (Vitesse) sert à régler la vitesse de mélange du bouton Pulse (Pulsation) (voir Instructions, page 65) et du bouton Start/Stop (Démarrage/Arrêt).

**Boutons de programmes préréglés :** Ces boutons, numérotés de 1 à 6, représentent les cycles de mélange préprogrammés conçus pour les boissons les plus courantes. En fonction de la viscosité de la boisson à préparer, choisir l'un des six boutons de programmes préréglés afin que la machine accomplisse un cycle complet. L'appareil s'arrêtera de lui-même lorsque le cycle est terminé. Les cycles sont de vitesse et de durée variables; voir les Instructions de la page 62 pour une description complète de la gamme de chaque programme préréglé. Chaque bouton peut être reprogrammé pour n'importe quelle recette grâce à une programmation personnalisée ou en reprogrammant l'une des 34 recettes disponibles. Voir les instructions relatives à la création de programmation personnalisée en page 66. En raison de la différence dans les recettes, vous pouvez obtenir des résultats différents.

### REMARQUES IMPORTANTES!

**Bouton Start/Stop (Démarrage/Arrêt) :** En appuyant sur l'un des boutons de programmes préréglés alors que le moteur tourne, la machine s'arrêtera.

**Bouton Speed (Vitesse) :** Ces réglages seront réinitialisés si l'alimentation électrique est interrompue.



**Écran d'affichage :** Cette zone affiche de nombreux messages de fonctionnement différents selon le bouton qui est enclenché. Lorsque l'appareil est alimenté en électricité, le message « Ready » (prêt) apparaît.

**Contrôles propriétaire :** Le panneau de contrôle propriétaire est accessible en activant l'interrupteur d'alimentation électrique à l'arrière du socle-moteur tout en maintenant le bouton 2 enfoncé.

VITA-MIX CORP  
VERSION #201

TEMP	COUNT	TOTAL
NORM	25	100

TIMER	HR:	MIN:	SS
	0:	10:	33

VITA-MIX ADVANCE  
PROGRAM #201

1 TO OVERWRITE  
CURRENT PROGRAM

- Lorsque l'appareil est mis sous tension, l'affichage parcourt trois écrans. Le premier indique la version actuelle du programme. Le deuxième indique le programme en cours de fonctionnement sur l'appareil. Le troisième indique la température du moteur (NORM, WARM, HOT - NORMAL, CHAUD, TROP CHAUD), et le nombre total d'heures de fonctionnement, y compris la fabrication et les essais. Cette durée ne peut être effacée. Une fois que cet écran apparaît, le bouton 2 peut être relâché.
- Appuyer sur le bouton 2 dans un délai de 12 secondes pour parcourir les réglages du menu.
- Appuyer une fois pour afficher le minuteur. Le fonctionnement total est enregistré en heures, minutes et secondes, y compris la fabrication et les essais. Cette durée ne peut être effacée.
- Appuyer sur ce bouton une deuxième fois pour afficher le nom du programme qui contrôle les boutons de programmation. Si vous utilisez les réglages Advance®, cet affichage montrera « VITA-MIX ADVANCE PROGRAM. » (VITA-MIX PROGRAMME ADVANCE).

- Appuyer sur ce bouton une troisième fois pour afficher l'option de réinitialisation des boutons de programmation aux réglages d'usine.

**Boutons Pulse (Pulsation) :** La pulsation permet d'augmenter ou de diminuer rapidement la vitesse de la lame pour mélanger ou rafraîchir une boisson. Appuyer  $\uparrow$  sur pour augmenter la vitesse du moteur d'une vitesse comprise entre 51% et 100%.

Appuyer  $\downarrow$  sur pour diminuer la vitesse du moteur d'une vitesse comprise entre 50% et 7%. Le bouton Pulse (Pulsation) annule le programme en cours tant qu'il est enfoncé. Lorsqu'il est relâché, le programme original continue son cycle.

- La vitesse de Pulse High (Pulsation Rapide)  $\uparrow$  et Low (Lente)  $\downarrow$  est déterminée par les boutons Speed (Vitesse). Pour régler celle-ci, appuyer sur le bouton Speed (Vitesse)  $\blacktriangle$  ou  $\blacktriangledown$  tout en maintenant le bouton Pulse (Pulsation) jusqu'à ce que la vitesse du moteur voulue soit atteinte. La vitesse de pulsation restera réglée au niveau voulu jusqu'à ce qu'elle soit à nouveau modifiée avec les boutons Speed (Vitesse).

# PROGRAMMATION

The Quiet One® est préprogrammé par un programme Advance® qui est optimisé pour le bol Advance®. Les programmes peuvent être personnalisés en utilisant le panneau de contrôle, une puce de programmation ou un kit logiciel de programmation disponibles auprès de Vitamix®. Appelez votre distributeur ou le Service à la clientèle pour de plus amples informations.

## Programmation des boutons pré réglés

1. Vous pouvez accéder aux 34 programmes en mémoire en activant l'interrupteur d'alimentation électrique à l'arrière du socle-moteur tout en maintenant le bouton de Pulsation Rapide (High Pulse) enfoncé. L'écran affichera « BUTTON SET UP » (RÉGLAGE DU BOUTON)
2. Appuyer sur les boutons Speed (Vitesse) ▲ ou ▼ pour parcourir les numéros de « Recette » jusqu'à atteindre celle que vous voulez. (Voir la page 68 pour une description de chaque recette.)
3. Appuyez sur le bouton de programmation auquel vous souhaitez assigner la recette choisie.

BUTTON SET UP  
RECIPE 1

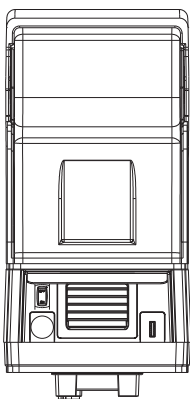
BUTTON SET UP  
RECIPE 17

BUTTON SET UP  
RECIPE 17----->1

READY

### Par exemple : Si vous voulez assigner bouton 1 avec recette #17 :

1. Après avoir accédé aux programmes en mémoire tel qu'il est décrit à l'étape 1, l'écran affichera « BUTTON SETUP » (RÉGLAGE DU BOUTON)
2. Appuyez sur le bouton Speed (Vitesse) ▲ jusqu'à ce que l'écran affiche « Recipe 17. »
3. Appuyez sur le bouton 1 pour appliquer la Recette 17.
4. Vous pouvez continuer de programmer les cinq autres boutons ou bien appuyer sur le bouton High Pulse (Pulsation Rapide) pour quitter et continuer à mélanger.



**Puce de programmation personnalisée**

## Programmation de votre appareil avec une puce personnalisée

1. Allumer l'appareil.
2. Enlever le bol et retourner l'appareil vers l'arrière de manière à pouvoir voir le port de programmation.
3. L'arrière de la machine vous faisant face, insérer la puce de programmation personnalisée (les mots « THIS SIDE FACING TO THE FRONT OF THE MACHINE » faisant face sur la gauche) dans le port situé sur le côté droit de l'appareil, du côté opposé à l'interrupteur On/Off (Marche/Arrêt). Pousser doucement jusqu'à ce que la puce s'enclenche dans le port. L'écran affichera « New Module » (nouveau module).
4. Dans les 10 secondes, les six boutons de programmation seront reprogrammés et l'écran affichera « Saved » (sauvegardé) puis « Ready » (prêt).
5. Enlever la puce de programmation, la remettre dans son emballage d'origine et la conserver dans un endroit facilement accessible et sûr.
6. Appuyer sur l'un des six boutons de programmation pour afficher sur l'écran le nom du programme/de la boisson.

## Réinitialisation des boutons de programmation aux réglages d'usine.

1. Accéder à OWNER CONTROLS (contrôles propriétaire) en activant l'interrupteur d'alimentation électrique à l'arrière du socle-moteur tout en maintenant le bouton 2 enfoncé.
2. Quand l'appareil s'allume, il va parcourir les trois écrans avant de s'immobiliser sur l'écran de statut de moteur. Appuyer à nouveau sur le bouton 2 dans les 12 secondes pour parcourir les réglages du menu.
3. Faire défiler à l'aide du bouton 2. L'écran affichera « 1 TO OVERWRITE CURRENT PROGRAM » (1 POUR REMPLACER LE PROGRAMME EN COURS). Appuyer sur le bouton 1 pour réinitialiser aux réglages d'usine.

## REMARQUES IMPORTANTES!

**Puce de programmation :** Si les étapes de programmation ci-dessus sont suivies et que la programmation personnalisée ne prend pas effet lors du premier cycle de mélange, faire pivoter la puce à 180°(de droite à gauche) et essayer à nouveau.

# PROGRAMMATION

**Options de Recette** Rangées par numéro de recette (N°) et type de boisson :

N°	TYPE DE BOISSON	DESCRIPTION	DURÉE TEMPS D'EXÉCUTION
1	General Purpose/Smoothie (Usage générique/ Yogourt fouetté)	Accélère jusqu'à 60% pendant 18 secondes	:18
2	Double Smoothie (Double yogourt fouetté)	Accélère jusqu'à MED (45%) pendant 6 secondes, puis (58%) pendant 8 secondes, puis HIGH (rapide) (85%) pendant 4 secondes	:18
3	Frozen Coffee & Juices (Café glacé et jus)	Accélère jusqu'à LOW (lent) (25% ) pendant 4 secondes, puis jusqu'à MED (60%) pendant 14 secondes	:18
4	Ice Cream Drinks (Boissons à la crème glacée)	Accélère jusqu'à MED (55%) pendant 5 secondes, puis LOW (lent) pendant 7 secondes, puis (12%) pendant 16 secondes	:28
5	Double & Hard to Blend Ice Cream Drinks (Boissons à la crème glacée doubles et difficiles à mélanger)	Accélère jusqu'à MED (51%) pendant 10 secondes, puis accélère jusqu'à HIGH (rapide) (85%) pendant 10 secondes	:20
6	Thick Hard-To-Blend (Préparations épaisses dure à mélanger)	Accélère jusqu'à LOW (lent) (15%) pendant 7 secondes, puis accélère graduellement jusqu'à HIGH (rapide) (82%) pendant 21 secondes	:28
7	Medium Smoothie (Yogourt fouetté moyen)	Accélère graduellement jusqu'à HIGH (rapide) (100%)	:20
8	Hard to Blend Smoothie (Yo- gourt fouetté difficile à mélanger)	Accélère graduellement jusqu'à HIGH (rapide) (100%)	:25
9	Thick Smoothie (Yogourt fouetté épais)	Accélère jusqu'à MED (50%) pendant 15 secondes, puis accélère jusqu'à HIGH (rapide) (100%) pendant 20 secondes	:35
10	Mix, Light Juice (Mélange, jus léger)	Fonctionne en LOW (lent) (10%)	:04
11	Heavy Smoothie (Yogourt fouetté lourd)	Fonctionne en MED-HIGH (médium-rapide) (75%), accélère, ralentit puis accélère jusqu'à HIGH (rapide) (100%)	:40
12	Hard to Blend Smoothie (Yo- gourt fouetté difficile à mélanger)	Fonctionne en LOW (lent) (7%) pendant 25 secondes, accélère rapidement jusqu'à HIGH (rapide) (100%), puis ralentit jusqu'à LOW (lent) (7%), et accélère à nouveau jusqu'à HIGH (rapide) (100%)	:40
13	Regular Iced Coffee (Café glacé standard)	Accélère rapidement jusqu'à HIGH (rapide) (100%)	:09
14	Double Iced Coffee (Café glacé double)	Accélère rapidement jusqu'à HIGH (rapide) (100%)	:13
15	Thick Coffee (Café épais)	Accélère jusqu'à MED (55%), ralentit graduellement jusqu'à LOW (lent) (7%), puis accélère rapidement jusqu'à HIGH (rapide) (100%)	:30
16	Multiple Coffees (Cafés multiples)	Accélère jusqu'à LOW (lent) (25% ), puis accélère graduellement jusqu'à MED (50%), puis jusqu'à HIGH (rapide) (100%)	:25

17	Multiple Coffees 2 (Cafés multiples 2)	Accélère jusqu'à LOW (lent) (25%), puis Accélère graduellement jusqu'à MED (50%), puis jusqu'à HIGH (rapide) (100%)	:30
18	Small Coffee (Petit café)	Accélère graduellement jusqu'à MED-HIGH (médium-rapide) (75%)	:14
19	1-2 Drink Cocktail (1-2 Cocktails)	Accélère jusqu'à HIGH (rapide) (90%)	:13
20	3-4 Drink Cocktail (3-4 Cocktails)	Accélère jusqu'à MED (55%), puis accélère jusqu'à HIGH (rapide) (100%)	:25
21	Kids Cup (Tasse enfant)	Commence en MED (55%), puis ralentit jusqu'à LOW (lent), puis accélère jusqu'à HIGH (rapide) (100%)	:30
22	Bar Shake (Fouettage de bar)	Accélère graduellement jusqu'à HIGH (rapide) (100%)	:25
23	Bar Special (Spécial bar)	Accélère jusqu'à MED (58%), ralentit jusqu'à LOW (lent) (22%), puis accélère graduellement jusqu'à HIGH (rapide) (100%)	:35
24	Utility Blend (Mélange utilitaire)	Accélère jusqu'à MED (40%), puis accélère graduellement jusqu'à MED-HIGH (médium-rapide) (75%)	:25
25	1 Shake (1 Fouetté)	Accélère jusqu'à MED (50%), ralentit jusqu'à LOW (lent) (25%), puis ralentit graduellement jusqu'à LOW (lent) (15%)	:20
26	2 Shake (2 Fouetté)	Accélère jusqu'à MED (50%), ralentit jusqu'à LOW (lent) (25%), puis ralentit graduellement jusqu'à LOW (lent) (17%)	:30
27	1 Shake (3 Fouetté)	Accélère jusqu'à HIGH (rapide) (100%), ralentit jusqu'à LOW (lent) (25%), puis ralentit graduellement jusqu'à LOW (lent) (15%)	:20
28	Ice Cream Drink (Boisson à la crème glacée)	Accélère jusqu'à MED-LOW (médium-lent) (35%), puis accélère jusqu'à MED-HIGH (médium-rapide) (75%)	:15
29	Small Shake (Petit fouetté)	Accélère jusqu'à MED (58%), puis ralentit jusqu'à LOW (lent) (25%)	:10
30	Hard to Blend Shake (Fouetté difficile à mélanger)	Accélère jusqu'à MED-HIGH (médium-rapide) (80%), ralentit jusqu'à MED (51%), puis accélère graduellement jusqu'à HIGH (rapide) (100%)	:25
31	General Program 1 (Programme générique 1)	Accélère jusqu'à HIGH (rapide) (100%)	:25
32	General Program 2 (Programme générique 2)	Accélère lentement jusqu'à HIGH (rapide) (100%)	:45
33	General Program 3 (Programme générique 3)	Accélère rapidement jusqu'à MED (40%), ralentit jusqu'à LOW (lent) (15%), puis accélère jusqu'à HIGH (rapide) (90%)	:24
34	General Program 4 (Programme générique 4)	Accélère rapidement jusqu'à MED (45%), puis accélère graduellement jusqu'à MED-HIGH (médium-rapide) (75%)	:35

# MONTAGE DE L'APPAREIL

## Couvercle compact

### Porte du couvercle :

1. Il est possible d'enlever la porte du couvercle en l'ouvrant jusqu'à ce qu'elle soit horizontale. Puis, écarter doucement les côtés de la porte au dessus des charnières rondes et la retirer.
2. Pour remettre en place la porte du couvercle, écarter doucement les côtés de la porte et placer les ouvertures de charnière au dessus des charnières rondes.

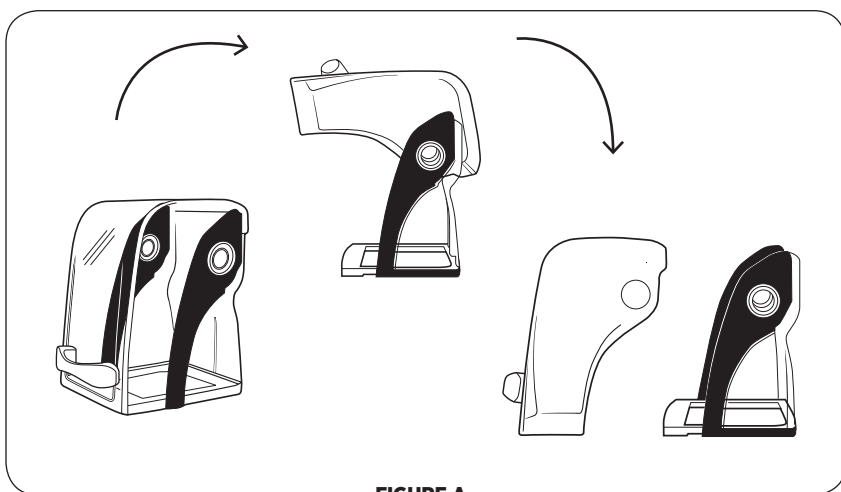


FIGURE A

## REMARQUES IMPORTANTES!

### Bols :

- Les appareils The Quiet One® sont conçus pour fonctionner avec les bols Vitamix® Advance® de 48 oz. / 1,4 L (bol à 3 côtés). Le bol de 64 oz. / 2,0 L standard ne peut pas s'adapter au couvercle compact du The Quiet One®. Contactez le Service à la clientèle Vitamix au 800-886-5235 ou contactez votre distributeur pour obtenir de plus amples information.
- À l'extérieur des États-Unis et du Canada, il est possible que votre appareil soit livré avec une configuration de bol différente.

### Cache arrière :

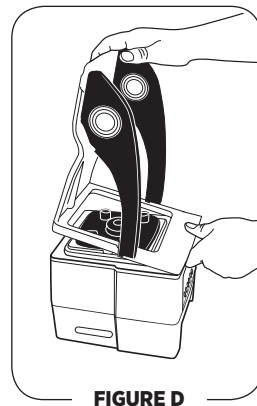
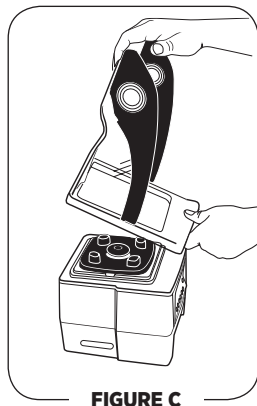
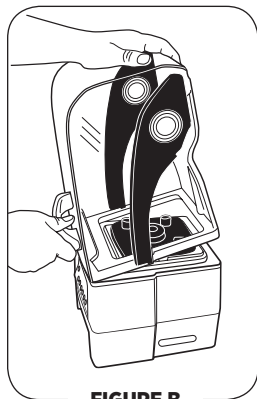
Pour une meilleure isolation acoustique, The Quiet One® est muni d'un boîtier anti-bruit fixé à la base par un système magnétique breveté. Au-delà de l'avantage que représente l'isolation du bruit du mélangeur par rapport au système de porte fixé mécaniquement, le système fixé magnétiquement peut être démonté rapidement et facilement pour le nettoyage.

### Pour enlever le boîtier anti-bruit :

- S'assurer d'abord que le bol a bien été enlevé de l'appareil.
- Prendre le boîtier à deux mains.
- L'incliner légèrement vers l'arrière et lever le boîtier droit vers le haut (Voir Figure B).

### Pour remettre le boîtier anti-bruit :

- Commencer en détachant le cache arrière de la porte du couvercle
- Aligner l'orifice sur la plaque de la base du cache arrière (Voir Figure C)
- Commencer par un côté du socle de centrage et positionner lentement le cache arrière, tout en s'assurant que le socle anti-bruit ne soit pas pincé par une partie de la plaque de base (Figure D)



# MONTAGE DE L'APPAREIL

## Couvercle en deux parties (Figure A)

**Bol Advance® de 48 oz / 1,4 L**

**Le couvercle en deux parties est facile à nettoyer, facile à installer, à enlever et à fermer.**

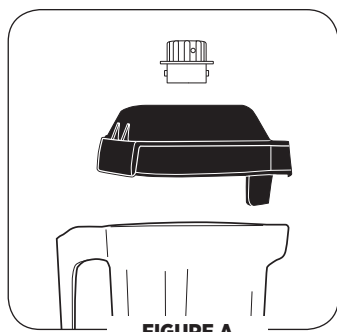
- Pour enlever un couvercle verrouillé en place, relever les deux languettes et tirer vers le haut.
- Faire tourner le bouchon central du couvercle pour le fixer ou l'enlever.

## Couvercle en une partie (Figure B)

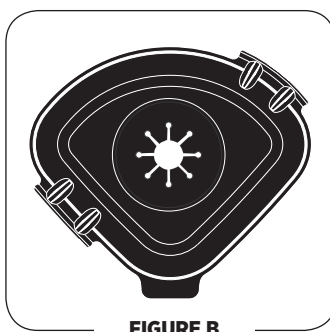
**Bol Advance® de 48 oz / 1,4 L**

**Le couvercle en une partie est facile à nettoyer, facile à installer, à enlever et à fermer.**

- Ce couvercle ne dispose pas de bouchon.
- Les ingrédients peuvent être ajoutés par l'orifice sur le dessus.



**FIGURE A**

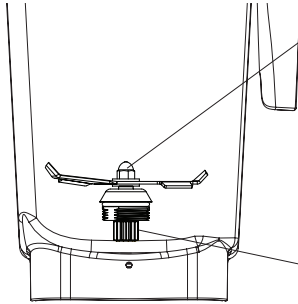


**FIGURE B**

Pour fixer le bouchon du couvercle, le faire pivoter de manière à ce qu'une languette se coince entre les entailles au-dessus du couvercle en caoutchouc.



## Assemblage de lames



**Assemblage multi-lame agitateur :** L'assemblage de lames est constitué de lames de précision en acier trempé inoxydable ainsi que d'un roulement à billes doublement étanchéifié pour une durabilité maximum. L'assemblage de lames robuste fait littéralement exploser les molécules d'aliments et de glace dans le bol, ce qui aide chaque préparation à s'homogénéifier plus efficacement. Il n'est pas nécessaire de démonter les lames pour un nettoyage normal. (Consultez les informations ci-dessous pour le démontage ou le remplacement.)

**Cannelure d'entraînement :** S'insère dans la douille d'entraînement sur la base du moteur pour faire pivoter la lame.

**Remarque :** Si vous retirez ou installez votre bol alors que l'accouplement est encore en rotation, les « rainures » de la cannelure d'entraînement seront endommagées. **(Cette pièce n'est PAS démontable)**



**Écrou de serrage :** Il doit être bien serré. Commandez la clé à écrous de serrage pour obtenir un meilleur résultat. (Consultez les informations ci-dessous pour le démontage ou le remplacement.)



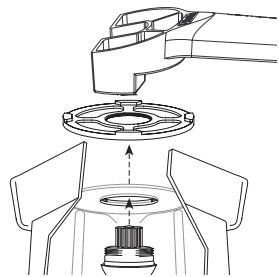
Clé à écrous de serrage

## Démontage de l'assemblage de lames

Il est parfois nécessaire d'effectuer un nettoyage poussé des lames. La clé de démontage de l'assemblage de lames d'utilisation facile (Article n° 15596) peut être commandée. Retourner le bol et le tenir fermement. Insérer la clé à écrous dans la gorge de l'écrou de serrage et tourner dans le sens inverse des aiguilles d'une montre pour desserrer. Prendre ensuite les lames avec un chiffon et démonter l'écrou de serrage à la main.

**Remplacement de l'assemblage de lames :** Mettre le bol à l'envers, prendre les lames avec un chiffon, insérer dans la base du bol et aligner avec les côtés plats de l'orifice du bol. Positionner l'écrou de serrage et serrer à la main. A l'aide de la clé à écrou, tourner prudemment dans le sens des aiguilles d'une montre jusqu'à ce que l'assemblage de lames soit fermement en place.

**Ne pas forcer.** S'il n'est pas assez serré, vous constaterez un bruit dans le bol.



Utilisation de la clé à écrous de serrage



## AVERTISSEMENT!

Ne jamais utiliser un assemblage de lames dont les pièces sont desserrées, ébréchées ou endommagées.

**Attention :** N'enlever les lames ou l'assemblage de lames qu'en cas de nécessité absolue! Ne jamais essayer de démonter l'assemblage de lames. Une telle tentative annulerait la garantie.

# INSTALLATION

## Appareil intégré au plan de travail

### Préparation du plan de travail :

- Avant d'effectuer les trous, s'assurer qu'il y a assez de place pour le moteur sous le plan de travail. Le moteur dépasse d'environ 3,0 po / 7,6 cm sous le plan de travail, mais il est préférable de laisser une distance d'au moins 10,0 po / 25,4 cm entre le moteur et les étagères ou les autres installations sous le plan de travail. D'autre part, lorsque vous utilisez le couvercle démontable, l'arrière du trou doit se trouver à une distance d'au moins 4,3 po / 10,8 cm du mur pour que la porte du couvercle puisse être ouverte.
- Un espace supplémentaire de 4,0 po / 10,2 cm doit être maintenu au-dessus du couvercle afin de pouvoir positionner et retirer l'appareil intégré au plan de travail.
- Si la machine est installée dans une armoire à portes ou à rideau, un conduit d'aération (tuyau de sèche-linge) de 4,0 po / 10,2 cm de diamètre doit être installé en guise de ventilation. Relier le conduit à l'évacuation de la base en poussant l'extrémité du tuyau sur l'arc de disjoncteur de l'appareil. Diriger le conduit vers l'extérieur de l'armoire pour que la ventilation soit efficace. Si vous utilisez plusieurs appareils, leur ventilation ne doit pas être assurée par un collecteur unique, mais par des conduits d'évacuation individuels.
- Au moment d'effectuer les trous pour positionner plusieurs machines intégrées au plan de travail, le bord des appareils doit être séparé d'au moins 12,0 po / 30,5 cm pour faciliter le nettoyage et la ventilation des appareils.
- Pour les machines de 120 V intégrées au plan de travail, il est recommandé d'utiliser une prise électrique de 20 amp par appareil, à une distance de 6 pi / 1,8 m de l'appareil. Les machines de 220 V et 100 V nécessitent une ligne spécialisée. Consultez un électricien pour connaître vos besoins électriques.
- La machine intégrée au plan de travail a également besoin d'un joint statique (inclus avec l'appareil) qui doit être placé entre l'appareil et le plan de travail.
- Consultez le modèle du The Quiet One® (inclus avec l'appareil) pour voir les conseils détaillés d'installation et le modèle en lui-même.



### AVERTISSEMENT!

**Ne pas** diriger le conduit d'aération dans un mur, un plafond ou l'espace clos d'un bâtiment ou d'une armoire.

**Ne pas** utiliser de colliers de serrage ou équivalent pour fixer le conduit d'aération à l'appareil. Pour retirer le mélangeur du plan de travail, toujours enlever le bol, la porte du couvercle et le cache arrière de la machine dans un premier temps. Ne pas tapoter le mélangeur au moment de le retirer du plan de travail. Ne pas utiliser le joint statique intégré au plan de travail sur une surface en bois. Le bois risque de se décolorer.

### REMARQUES IMPORTANTES!

Ne pas utiliser l'appareil intégré au plan de travail sur une surface en bois. Le joint statique situé entre l'appareil et le plan de travail laissera des marques noires indélébiles sur le bois. La zone sous le plan de travail doit disposer d'une ventilation adéquate pour que l'air circule suffisamment autour de chaque moteur, afin de prolonger la durée de vie de votre appareil. Si vous conservez des poudres, des préparations, du sucre ou autre à proximité de l'appareil, assurez-vous que leurs boîtes sont correctement fermées. Les mouvements d'air provoqués par l'admission et l'évacuation d'air disperseront tous les produits en vrac.

## Station de mélange posée sur le plan de travail ou intégrée au plan de travail

### Installation électrique :

- 120 V, 50/60 Hz, 15 amps
- Utilisez une prise américaine à trois broches mise à la terre.
- L'utilisation d'une prise de 20 amp par appareil est recommandée.

### Ne pas utiliser de rallonge électrique avec cet appareil.

- 220 – 240 V, 50/60 Hz, 1300 – 1550 Watts
- 100 V (Japon), 50/60 Hz, 1000 Watts

### Dimension du modèle posé sur le plan de travail :

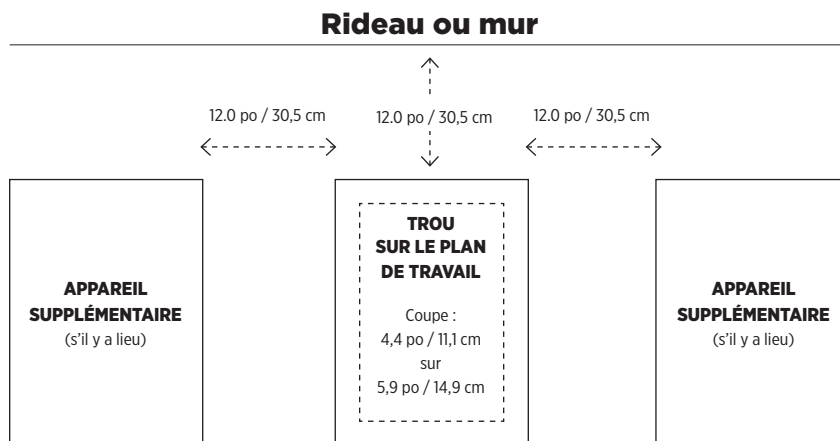
- 18,0 po / 45,7 cm de haut avec couvercle fermé
- 24,5 po / 62,2 cm de haut avec couvercle ouvert
- Profondeur : 10,7 po / 27,2 cm avec poignée
- Largeur : 8,5 po / 21,6 cm

### Dimension du modèle intégré au plan de travail :

- 16,5 po / 41,9 cm de haut avec couvercle fermé
- 23,0 po / 58,4 cm de haut avec couvercle ouvert
- Profondeur : 10,7 po / 27,2 cm avec poignée
- Largeur : 8,5 po / 21,6 cm
- Profondeur sous le plan de travail : 1,2 po / 3,0 cm

### Distance recommandée entre les appareils et entre l'appareil et le mur ou le rideau :

12,0 po / 30,5 cm du bord de chaque appareil ou le plus loin possible



## ENTRETIEN DE VOTRE APPAREIL

### Produits nettoyants

Solid Supra, Solid Power, \_\_\_\_\_  
Guardian Acclaim, Solid Guardian Plus,  
Solid Super Impact, Solid Insure

Diverpak \_\_\_\_\_  
Eclipse H2, Liqui-Safe L7  
Acclean  
Poly-Brite

Glow MB-1 \_\_\_\_\_  
Lustre NC-25  
Lustre Plus

PSRA 41-D, PSRA 41-E \_\_\_\_\_  
Liqui-Ware 1, Liqui-Ware MC  
D-Flex, Sur-Met

### Fournisseurs aux É.-U.

**Ecolab, Inc.**, St. Paul, MN  
800-352-5326  
www.ecolab.com

**Diversey**, Livonia, MI  
800-521-8140

**Wesmar Company, Inc.**  
Seattle, WA 206-783-5344  
www.wesmar.com

**Anderson Chemical Co.**  
Litchfield, MN  
800-366-2477  
www.andersonchemical.com

### Produits de rinçage

Solid Rinse Dry, Solid Brilliance, \_\_\_\_\_  
Jet Dry, Rinse Dry

**Ecolab, Inc.**, St. Paul, MN  
800-352-5326  
www.ecolab.com

### Produit détachant

NuWare \_\_\_\_\_

**Diversey**, Livonia, MI  
800-521-8140

## REMARQUES IMPORTANTES!

**Produits nettoyants :** Ne pas utiliser de produits nettoyants abrasifs ou d'eau de Javel concentrée pour le nettoyage. Ne pas utiliser de produits nettoyants contenant des désinfectants sur les composants en polycarbonate (ex. bols Advance®, couvercles). Ne jamais utiliser les produits nettoyants suivants : détergents de lave-vaisselle automatique, nettoyants de four, laine d'acier ou autre produit abrasif.

**Couvercle :** Ne pas nettoyer la porte du couvercle, la poignée ou le cache arrière au lave-vaisselle. Il n'est pas recommandé de démonter la poignée lors du nettoyage. Toutefois, si vous décidez de démonter la poignée du couvercle, assurez-vous que celle-ci n'est pas trop serrée au moment de la réinstaller sur le couvercle. Faute de quoi, des dommages peuvent se produire.

**Bol :** Ne pas laisser les préparations, les liquides ou les aliments sécher à l'intérieur du bol. Rincer après usage. Les aliments secs peuvent se coincer autour des lames et affaiblir/endommager le joint du roulement à bille lors du redémarrage. Ne pas mettre le bol au congélateur. Une température très basse associée à des aliments très chauds et/ou à l'action rapide et immédiate des lames peut fendre le bol. En raison de la nature des polycarbonates utilisés pour les bols Advance® et l'assemblage du boîtier anti-bruit, il n'est pas recommandé de placer ces pièces dans un four à micro-ondes ou un lave-vaisselle.

**Socle-moteur / Panneau de contrôle : Débrancher la prise électrique.** Nettoyer doucement la surface extérieure avec un chiffon en coton humidifié dans une solution d'eau tiède\* et de détergent non-abrasif ou imbibé de produit nettoyant en aérosol. Faire attention de ne pas rayer ou récuser l'écran d'affichage du panneau de contrôle. **Ne jamais immerger le socle-moteur dans l'eau ou dans d'autres liquides.** Sécher avec un chiffon en coton sec.

**Couvercle :** Laver à l'eau savonneuse tiède. Rincer à l'eau courante et sécher.

**Porte du couvercle :** Le couvercle peut être démonté (voir pages 70 et 71) et nettoyé sous l'eau courante à l'aide d'un chiffon doux. L'essuyer et le remettre en place sur la base.

**Joint statique anti-bruit et socle de centrage du bol :** Une fois le couvercle retiré, le joint statique anti-bruit situé entre la base et la porte du couvercle peut être enlevé en le décollant simplement de la base afin de pouvoir être nettoyé. (Voir pages 70 et 71 pour le démontage du couvercle).

Laver le joint statique et le socle à l'eau tiède savonneuse. Rincer à l'eau courante et sécher. Remonter avant utilisation. Pour remettre le joint statique anti-bruit, le poser simplement sur la base, en faisant attention qu'il soit positionné correctement contre le socle de centrage. Remonter le boîtier anti-bruit selon les instructions de la page 71. S'assurer que le joint statique repose correctement sur le mélangeur et le socle de centrage. Le joint statique et le socle de centrage doivent reposer à plat sur le socle-moteur.

**Bol :** Le bol Advance® a été conçu pour résister aux produits chimiques. Toutefois, pour assurer une durée de vie maximum à celui-ci, il est recommandé de le laver à la main.

**Pour nettoyer :** Laver toutes les pièces du bol à l'eau tiède savonneuse. Rincer et égoutter. Ne pas faire tremper l'assemblage d'agitateur de lames.\*\*

**Pour désinfecter :** Après avoir retiré tous les résidus solides, remplir le bol aux  $\frac{3}{4}$  avec une solution désinfectante.\*\*\* Réinstaller le bol sur le socle-moteur et positionner fermement le couvercle en deux parties. Faire fonctionner l'appareil à haute vitesse pendant 30 secondes. Éteindre l'appareil et laisser la solution dans le bol pendant 1,5 minutes de plus. Vider la solution d'eau de Javel. Réinstaller le bol sur le socle-moteur et laisser l'appareil fonctionner à vide pendant 5 secondes de plus. Il est inutile de rincer après désinfection. Laisser le bol sécher à l'air.

## REMARQUES IMPORTANTES!

**Joint statique anti-bruit :** Ne pas nettoyer au lave-vaisselle. Les températures élevées et les produits chimiques peuvent faire gonfler le socle. Ne pas faire tremper. Le joint statique peut absorber l'eau et gonfler. Un séchage à l'air de 24 à 48 heures peut s'avérer nécessaire avant que celui-ci reprenne sa taille normale.

**Assemblage de lames :** Ne pas faire tremper l'assemblage d'agitateur de lames.

\* S'assurer que l'éponge ou le chiffon utilisé(e) est bien essoré(e) lors du nettoyage à proximité des parties électriques.

\*\* Afin de prolonger la durée de vie du bol en polycarbonate, Vitamix recommande d'utiliser un savon à pH bas, comme un détergent liquide pour vaisselle (Ivory Liquid®). En raison de la nature des polycarbonates, il n'est pas recommandé d'utiliser un lave-vaisselle automatique.

\*\*\* Solutions désinfectantes recommandées : 1,5 c. à soupe / 7,4 mL d'eau de Javel domestique ou industrielle dans 2 pte / 1,9 L d'eau.

# DÉPANNAGE

<b>Problèmes :</b>	<b>Solutions possibles :</b>
<ul style="list-style-type: none"> <li>• La zone des lames à l'intérieur du bol du mélangeur est très bruyante.</li> <li>• Les lames du bol ne tournent pas</li> <li>• Augmentation des vibrations</li> <li>• Fuite de la base du bol</li> </ul>	<ul style="list-style-type: none"> <li>a. Douille d'entraînement usée ou cassée. Remplacer (Article n° 891) Les instructions sont incluses avec la pièce.</li> <li>b. Vérifier que l'assemblage de lames ne contient pas de pièces desserrées, ébréchées ou endommagées et remplacer si besoin.</li> <li>c. Resserrer l'écrou de serrage avec la clé à écrous en tournant dans le sens des aiguilles d'une montre jusqu'à ce qu'il soit serré. (Voir page 73.)</li> </ul>
<ul style="list-style-type: none"> <li>• Grincement bruyant du moteur du mélangeur</li> </ul>	<p>Les roulements à billes du moteur sont endommagés, votre appareil a peut-être besoin de réparations.</p>
<ul style="list-style-type: none"> <li>• L'appareil ne fonctionne pas</li> <li>• L'écran n'affiche pas « Ready » (prêt)</li> </ul>	<ul style="list-style-type: none"> <li>a. Vérifier que le cordon d'alimentation est fermement branché à la prise électrique.</li> <li>b. Vérifier que l'interrupteur On/Off (Marche/Arrêt) est en position On (Marche).</li> <li>c. Positionner l'interrupteur On/Off (Marche/Arrêt) sur Off (Arrêt), puis sur On (Marche), pour redémarrer le système électronique.</li> </ul>
<ul style="list-style-type: none"> <li>• L'appareil démarre puis s'éteint</li> </ul>	<p>Vérifier l'alimentation électrique de l'appareil.</p>
<ul style="list-style-type: none"> <li>• L'écran affiche « SHUT DOWN SEE MANUAL » (arrêt consultez le manuel)</li> </ul>	<p>Laisser l'appareil refroidir pendant une heure puis redémarrer.</p>
<ul style="list-style-type: none"> <li>• L'écran affiche « MOTOR LOCKED PROGRAM TERMINATED » (moteur bloqué programme interrompu)</li> </ul>	<p>Laisser l'appareil refroidir pendant une heure puis redémarrer.</p>
<ul style="list-style-type: none"> <li>• Le fonctionnement de l'appareil est irrégulier</li> <li>• « NO PROGRAM » (pas de programme) s'affiche lorsqu'on appuie sur un bouton</li> <li>• Le bouton enclenché démarre le mauvais programme</li> <li>• L'appareil démarre tout seul</li> <li>• Un bouton de programmation spécifique ne fonctionne pas</li> <li>• L'appareil était éteint pendant un jour, une semaine ou un mois et il n'y a pas de courant lorsqu'il est allumé</li> <li>• L'appareil ne fonctionne pas lors du premier essai</li> <li>• L'appareil fonctionne mais l'écran n'affiche aucune information</li> <li>• Les boutons de programme font fonctionner le mélangeur à la même vitesse</li> </ul>	<ul style="list-style-type: none"> <li>a. Éteindre et rallumer l'appareil pour réinitialiser la programmation.</li> <li>b. Essayer de brancher l'appareil dans une autre prise.</li> </ul>

<b>Problèmes :</b>	<b>Solutions possibles :</b>
<ul style="list-style-type: none"> <li>L'écran affiche « CORRUPT DATA » (données corrompues)</li> </ul>	<p>Éteindre et rallumer l'appareil pour réinitialiser la programmation.</p>
<ul style="list-style-type: none"> <li>L'écran affiche « THERMAL SENSOR FAILURE » (panne du capteur thermique)</li> </ul>	<p>Contactez le Service d'assistance technique Vitamix.</p>
<ul style="list-style-type: none"> <li>L'appareil s'arrête et se réinitialise au milieu du cycle de mélange; l'écran affiche « VITA-MIX GENERAL PROGRAM » (programme générique Vitamix) puis « READY »</li> </ul>	<ul style="list-style-type: none"> <li>a. Brancher l'appareil à sa propre prise électrique.</li> <li>b. S'assurer que l'appareil n'est pas branché à une grande rallonge électrique.</li> </ul>
<ul style="list-style-type: none"> <li>Si l'appareil a surchauffé : Le moteur s'arrêtera et le message « MOTOR HAS OVERHEATED REMOVE THE CONTAINER, THEN PRESS START, » (surchauffe moteur, retirez le bol et appuyez sur start) défilera sur l'écran, alors que les mots « HOT SHUTDOWN » (arrêt à chaud) resteront affichés pour vous alerter du problème.</li> </ul>	<p>Enlever le bol, refermer la porte du couvercle, appuyer sur le bouton Start/Stop (Démarrage/Arrêt) et faire fonctionner l'appareil pendant deux minutes. Lorsque le moteur est refroidi, « READY » (prêt) s'affichera sur l'écran.</p>

**Si vous n'arrivez pas à réparer votre appareil avec l'aide de ces suggestions**, vous pouvez communiquer avec le Service d'assistance technique de Vitamix® au 800-886-5235. Si vous avez acheté votre appareil à l'extérieur des É.-U., contactez votre Distributeur Vitamix local, ou prenez contact avec la Division internationale Vitamix au +1.440.782.2450 ou par courriel [international@vitamix.com](mailto:international@vitamix.com) pour trouver un distributeur de votre pays. Pour l'assistance en ligne, visitez [www.vitamix.com/foodservice](http://www.vitamix.com/foodservice).

# GARANTIE

## GARANTIE LIMITÉE

Afin de maximiser la durée de vie et le bon fonctionnement de votre produit Vitamix®, il est important de suivre quelques conseils simples d'entretien :

1. Inspecter régulièrement la douille d'entraînement pour vérifier que celle-ci n'est pas usée ou fendue, craquée ou brisée. En cas de dommages, remplacer la douille d'entraînement par la douille de remplacement incluse avec votre mélangeur. Pour acheter des douilles d'entraînement supplémentaires, contactez Vitamix au 1-800-437-4654 (1-800-4DRINK4) pour trouver un concessionnaire près de chez vous. Pour les clients hors des É.-U., contactez votre Distributeur Vitamix autorisé, ou communiquez avec la Division internationale Vitamix au +1.440.782.2450 ou par courriel international@vitamix.com pour trouver un distributeur proche de chez vous.
2. Faire tourner à la main l'assemblage de roulement à billes des lames pour s'assurer qu'il tourne sans hésitations mais pas trop librement. Si la rotation de la lame hésite ou est trop aisée, contactez Vitamix au 1-800-437-4654 (1-800-4DRINK4) pour obtenir des informations relatives à la garantie ou pour trouver le concessionnaire le plus proche de chez vous. Pour les clients hors des É.-U., contactez votre Distributeur Vitamix autorisé, ou communiquez avec la Division internationale Vitamix au +1.440.782.2450 ou par courriel international@vitamix.com pour trouver un distributeur proche de chez vous.
3. Ne jamais faire fonctionner l'appareil sans que le socle de centrage soit correctement placé sur la base. Vita-Mix® Corporation (ci-après « Vita-Mix ») garantit à l'utilisateur final original (preuve d'achat à l'appui), acheteur aux É.-U., que son mélangeur industriel Vita-Mix (ci-après « l'Équipement ») est dépourvu de défauts matériels et de défauts de fabrication pour la période de garantie applicable à l'Équipement tel que décrite ici et est soumis aux conditions déterminées ci-dessous.

### Socle-moteur

Vita-Mix garantit à l'utilisateur final original que :

- Si le socle-moteur tombe en panne dans les trente (30) jours suivant la date d'achat, Vita-Mix le remplacera gratuitement.
- Si le socle-moteur tombe en panne entre trente (30) jours et un an après la date d'achat, en raison d'un défaut matériel ou d'un défaut de fabrication, Vita-Mix assumera la responsabilité du coût des pièces détachées et de la main d'oeuvre nécessaires à la réparation du socle-moteur.
- Si le moteur tombe en panne entre un an et trois (3) ans après la date d'achat en raison d'un défaut matériel ou d'un défaut de fabrication, Vita-Mix assumera la responsabilité du coût des pièces détachées nécessaires à la réparation de la base.

### Le bol, le couvercle, l'assemblage de lames, la douille d'entraînement et le boîtier anti-bruit (si inclus)

Le bol, le couvercle, l'assemblage de lames, la douille d'entraînement et s'il y a lieu le boîtier anti-bruit fabriqué par Vita-Mix, sont garantis contre les défauts matériels et les défauts de fabrication pendant un an à compter de la date d'achat.

### Conditions

- La garantie contenue ici n'est valable que pour l'utilisateur final original et elle n'est pas transférable. Une preuve d'achat est requise pour toute demande de garantie.
- Cette garantie est le seul recours de l'acheteur et détermine les seules obligations de Vita-Mix et ne recouvre pas l'usure normale, les mauvaises utilisations, les abus,



l'utilisation négligente, les altérations de la base du bol, (ou du boîtier anti-bruit), ou les expositions à des conditions extrêmes; elle est valide uniquement si l'Équipement est utilisé en accord avec le livret d'instructions inclus (qui peut également être téléchargé sur [www.vitamix.com/foodservice](http://www.vitamix.com/foodservice)).

- En cas d'installation incorrecte ou, dans le cas d'un montage dans le plan de travail de l'Équipement, de ventilation inadéquate ou encore d'installation de l'Équipement dans un boîtier anti-bruit n'étant pas fabriqué par Vita-Mix, cette garantie sera annulée.
- Cette garantie sera annulée dans le cas où des réparations de l'Équipement sont effectuées par quelqu'un d'autre que Vita-Mix ou qu'un centre de réparation Vita-Mix agréé. Vita-Mix n'est pas responsable des coûts des réparations non-autorisées.
- La seule obligation de Vita-Mix dans le cadre de cette garantie est de remplacer ou de réparer la pièce sous garantie tel que le détermine exclusivement Vita-Mix.

**En aucun cas, qu'il s'agisse de contrat, d'indemnités, de garantie, de délit (y compris la négligence), de responsabilité ou autre, Vita-Mix ne peut être tenu responsable de dommages particuliers, indirects ou consécutifs pouvant inclure, sans s'y limiter, les pertes de profit ou de revenus. La garantie limitée ci-dessus constitue votre unique recours, et vous-même et Vita-Mix déclinez expressément toute autre garantie ou condition, expresse ou tacite, légale ou autre, y compris toute garantie tacite relative à la qualité marchande ou toute garantie tacite sur l'aptitude à un usage particulier et, sans limiter la généralité de ce qui précède, vous-même et Vita-Mix excluez expressément, dans le cadre autorisé par la loi, l'application de toute législation relative à la vente de biens et la Convention des Nations unies sur les contrats de vente internationale de marchandises, s'il y a lieu.**

Certaines juridictions ne permettent pas une limitation des garanties implicites ou des dommages particuliers, indirects ou consécutifs.

Aucun employé de Vita-Mix ou autre personne n'est autorisé à établir une garantie supplémentaire ou à apporter des modifications à la présente garantie. Pour les détails de garantie relatifs aux appareils achetés en dehors des É.-U., contactez votre distributeur Vita-Mix agréé, ou communiquez avec la Division internationale Vita-Mix au +1.440.782.2450 ou par courriel : [international@vitamix.com](mailto:international@vitamix.com) pour trouver un distributeur près de chez vous.

Au cas où votre mélangeur Vita-Mix ait besoin d'entretiens ou de réparations selon les termes de cette garantie, veuillez appeler Vita-Mix Corporation pour obtenir de l'aide vis-à-vis de la garantie. Pour les appareils achetés aux É.-U., appelez le Service d'assistance technique Vita-mix au 800-886- 5235. Si vous avez effectué votre achat en dehors du territoire des É.-U., contactez votre Distributeur Vita-Mix agréé, ou communiquez avec la Division internationale Vita-Mix au +1.440.782.2450 ou par courriel : [international@vitamix.com](mailto:international@vitamix.com) pour trouver un distributeur près de chez vous.

Tout article renvoyé à Vita-Mix dans le cadre de ces termes doit être renvoyé dans son emballage d'origine ou dans un emballage suffisant. Le client est responsable des frais d'envoi à Vita-Mix en cas de service couvert par la garantie. Ne retournez ni n'envoyez pas de produit sans l'approbation de Vita-Mix. Tous les produits retournés doivent avoir leur Numéro d'Autorisation de Retour inscrit clairement sur l'extérieur de leur boîte. Tout produit envoyé à Vita-Mix sans autorisation ou accord préalable sera renvoyé à l'expéditeur « en l'état » sans réparation.

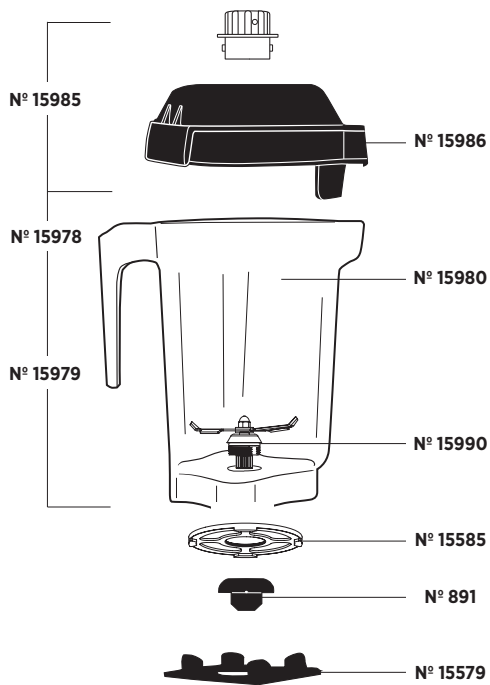
## LISTE DES PIÈCES

### The Quiet One®

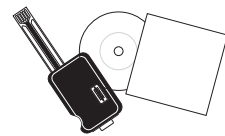
- N° 15092** Couvercle anti-éclaboussures pour bol Advance® de 48 oz. / 1,4 L
- N° 15986** Couvercle seul (sans bouchon) pour bol Advance® de 48 oz. / 1,4 L
- N° 15985** Assemblage de couvercle en deux pièces pour bol Advance® de 48 oz. / 1,4 L
- N° 15978** Bol Advance® de 48 oz. / 1,4 L, assemblage de lames et assemblage de couvercle
- N° 15980** Bol Advance® de 48 oz. / 1,4 L seul
- N° 15979** Bol Advance® de 48 oz. / 1,4 L, assemblage de lames, pas d'assemblage de couvercle
- N° 15990** Assemblage d'agitateur de lames Advance®
- N° 15585** Écrou de serrage
- N° 891** Douille d'entraînement
- N° 15579** Socle de centrage anti-bruit
- N° 15080** Cache arrière compact et porte de couvercle à charnières démontables
- N° 15081** Porte de couvercle compacte
- N° 15082** Cache arrière compact
- N° 15107** Joint statique d'isolation
- N° 15083** Joint statique pour installation intégrée au plan de travail

### REMARQUES IMPORTANTES!

- A l'extérieur des É.-U. et du Canada, il est possible que votre appareil soit livré avec une configuration de bol différente. Contactez votre Distributeur Vitamix pour connaître les numéros des articles.
- Mis à part la douille d'entraînement, l'assemblage de lames et l'écrou de serrage, cet appareil ne peut être réparé par l'utilisateur.



**Articles vendus séparément :**



**N° 15606**

Kit Logiciel - Version USB



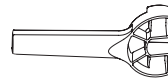
**N° 15644**

Puce de programmation supplémentaire pour kit logiciel



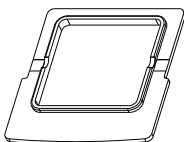
**N° 15988**

Couvercle en une pièce

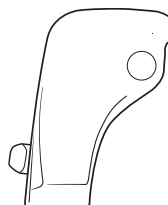


**N° 15596**

Clé à écrous de serrage



**N° 15107**



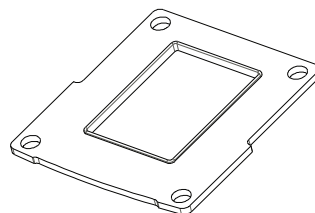
**N° 15081**



**N° 15082**



**N° 15080**



**N° 15083**

# SPÉCIFICATIONS

## The Quiet One®

### Installation électrique :

- 120 V, 50/60 Hz, 15 amps
- Utilise une prise américaine à trois broches mise à la terre.
- L'utilisation d'une prise de 20 amp par appareil est recommandée.

### Ne pas utiliser de rallonge électrique avec cet appareil.

- 220 – 240 V, 50/60 Hz, 1300 – 1550 Watts
- 100 V (Japon), 50/60 Hz, 1000 Watts

### Dimension du modèle posé sur le plan de travail :

- 18,0 po / 45,7 cm de haut avec couvercle fermé
- 24,5 po / 62,2 cm de haut avec couvercle ouvert
- Profondeur : 10,7 po / 27,2 cm avec poignée
- Largeur : 8,5 po / 21,6 cm

### Dimension du modèle intégré au plan de travail :

- 16,5 po / 41,9 cm de haut avec couvercle fermé
- 23,0 po / 58,4 cm de haut avec couvercle ouvert
- Profondeur : 10,7 po / 27,2 cm avec poignée
- Largeur : 8,5 po / 21,6 cm
- Profondeur sous le plan de travail : 1,2 po / 3,0 cm

S'il y a lieu :



Pour découvrir la gamme complète des produits Vitamix®,  
consultez [vitamix.com/foodservice](http://vitamix.com/foodservice)



### Vita-Mix® Corporation Commercial Division

8615 Usher Road, Cleveland, Ohio 44138 É.-U.

Tél : 440.235.0214 Courriel : [commercial@vitamix.com](mailto:commercial@vitamix.com)

©2010 Vita-Mix Corporation. Cette publication ne peut être reproduite ou transmise, même en partie, dans n'importe quelle forme et par n'importe quel moyen ou stockée dans une banque de données ou un système d'extraction sans la permission écrite de Vita-Mix Corporation.

Imprimé aux É.-U. 102865 12/10

## Free Manuals Download Website

<http://myh66.com>

<http://usermanuals.us>

<http://www.somanuals.com>

<http://www.4manuals.cc>

<http://www.manual-lib.com>

<http://www.404manual.com>

<http://www.luxmanual.com>

<http://aubethermostatmanual.com>

Golf course search by state

<http://golfingnear.com>

Email search by domain

<http://emailbydomain.com>

Auto manuals search

<http://auto.somanuals.com>

TV manuals search

<http://tv.somanuals.com>