

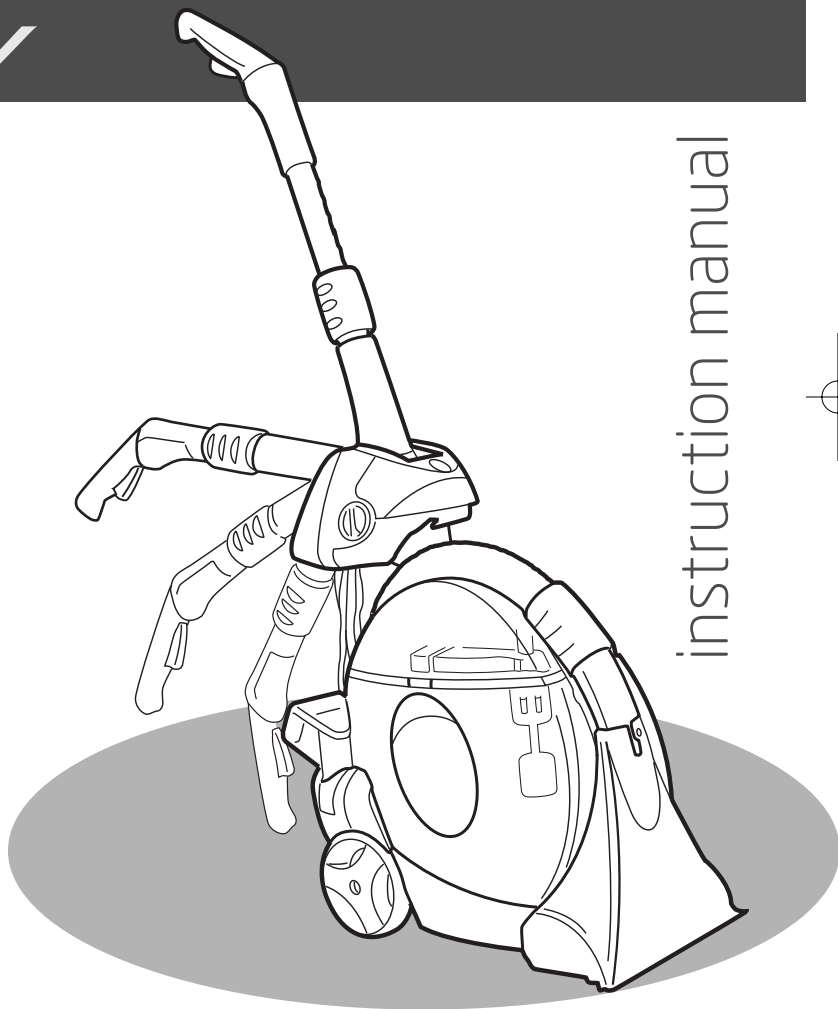


Vax careline  
0870 6061248

# Carpet cleaner

*agility*  
COMPACT

Vax model number:  
V-128



instruction manual

[www.vax.co.uk](http://www.vax.co.uk)

Please read carefully before using this cleaner.  
Always fully extend the mains cable before use.  
Retain for future reference.

# 1. Diagram

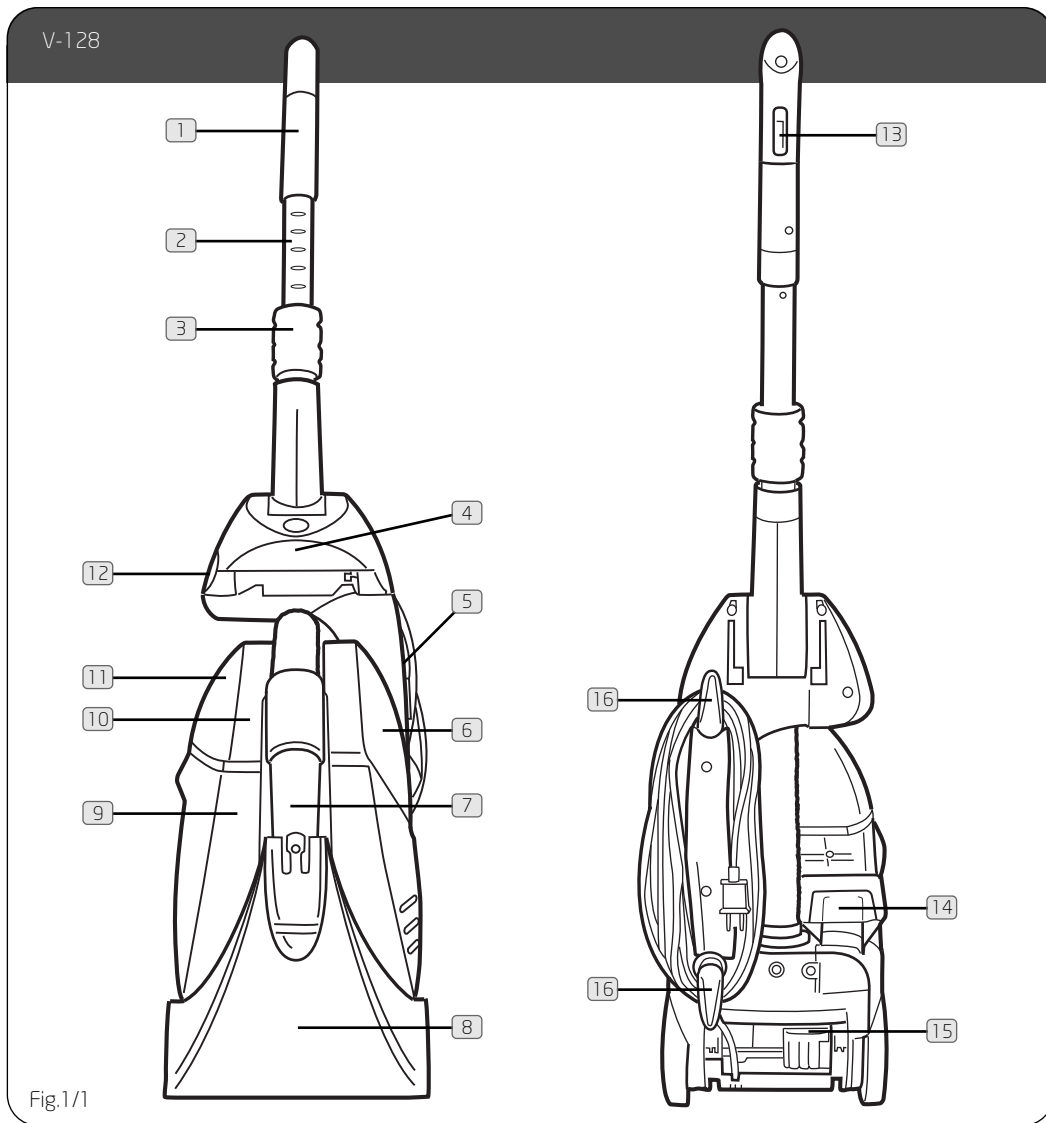


Fig.1/1

- |                             |  |
|-----------------------------|--|
| 1 Hand grip                 | 9 Recovery tank  |
| 2 Telescoping handle        | 10 Recovery tank lid                                     |
| 3 Telescoping handle collar | 11 Float indicator window                                |
| 4 Carry handle              | 12 Upper handle release button                           |
| 5 On/Off switch             | 13 Solution trigger (press to release cleaning solution) |
| 6 Solution tank             | 14 Stair / upholstery tool                               |
| 7 Tool connector / hose     | 15 Handle release pedal                                  |
| 8 Nozzle                    | 16 Cord hooks  |

## 2 parts overview

## 2. Safety Information

### FOR HOUSEHOLD USE ONLY.

When using the carpet washer, basic safety precautions should always be observed, including the following:

1. Do not leave the carpet washer unattended when plugged in. Unplug it from socket when not in use.
2. To prevent electric shock do not use outdoors.
3. Not to be used as a toy. Children should be supervised to ensure that they do not play with the appliance.
4. This appliance is not intended for use by persons (including children) with reduced physical, sensory or mental capabilities, or lack of experience and knowledge, unless they have been given supervision or instruction concerning the use of the appliance by a person responsible for their safety.
5. Use only as described in this manual.
6. Do not use with a damaged cord or plug. If the supply cord and/or plug is damaged, they must be replaced by the manufacturer, a Vax Service Agent or similarly qualified persons in order to avoid hazard.
7. Do not pull or carry by the cord, use the cord as a handle, allow the cord to come into contact with hot or sharp surfaces or close a door on the cord.
8. Do not unplug by pulling on the cord.
9. Do not handle the plug or carpet washer with wet hands.
10. Do not put any objects into openings or operate with openings blocked, keep them free of anything that may reduce airflow.
11. Keep hair, loose clothing, fingers and all parts of the body away from openings and moving parts.
12. Do not use the carpet washer on any glowing, burning or smoking particles.
13. Do not use without the solution tank and dirty water tank in place.
14. Turn off all controls before unplugging.
15. Do not use to pick up flammable or combustible liquids such as petrol, or use in areas where they may be present.
16. Keep the unit on the floor.
17. Do not use an extension cord.
18. Do not attempt to remove blockages with sharp objects as they may cause damage.
19. Store indoors put away after use to prevent tripping accidents.

20. Using improper voltage may result in damage to the motor and possible injury to the user. The correct voltage is listed on the rating label.
21. A hazard may occur if the carpet washer runs over the power supply cord.
22. To prevent dirty water from running into motor, do not hold the appliance upside-down or lay on its side. Use appliance in normal vacuuming position.
23. Use extra care when cleaning on stairs.
24. Do not carry appliance while motor is running.

**NOTE: Carpets should be dry vacuumed thoroughly before washing.**

**NOTE: The unit must be unplugged from the mains socket outlet after use, and before cleaning or maintaining the unit.**

**NOTE: The brush bar will only rotate when the machine is in the reclined floor cleaning position and the power switch is on. The brushbar will turn off when in tool mode or upright position.**



**IMPORTANT: This unit is not intended for commercial use.**

**PLEASE KEEP THESE INSTRUCTIONS FOR FURTHER USE.**

## 3. Carpet Cleaner Basics

### Unfold handle

Raise handle from storage position until it locks in place (Fig.3/1).

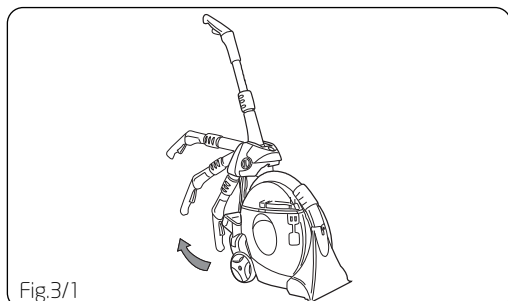


Fig.3/1

Slide collar (A) up on telescoping handle (B) to adjust handle to desired height (Fig.3/2).

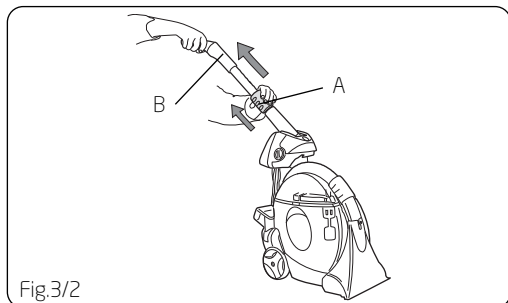


Fig.3/2

### Folding handle

Push up on the collar (A) to lower the telescoping handle. Rotate knob (C) backwards to drop the handle into storage position (Fig.3/3).

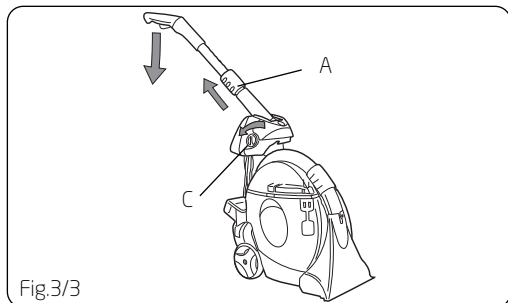


Fig.3/3

### Filling the Solution Tank

**IMPORTANT:** Unplug carpet cleaner from electrical outlet. Pull up on solution tank handle (A) and remove solution tank (Fig.3/4).

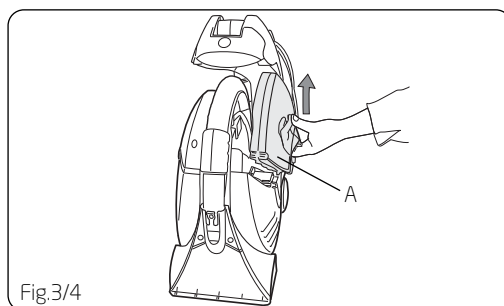


Fig.3/4

Turn tank upside down and unscrew cap (B) (Fig.3/5). The cap consists of 2 pieces - the cap ring (C) and the solution tank valve (D).

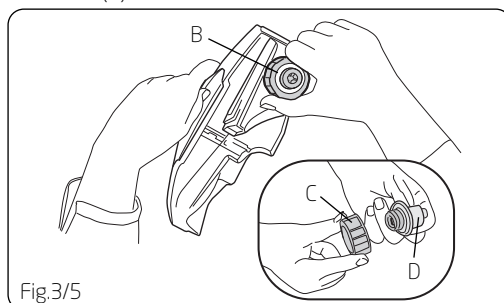


Fig.3/5

Pour solution into tank to solution fill line (E) (Fig.3/6).

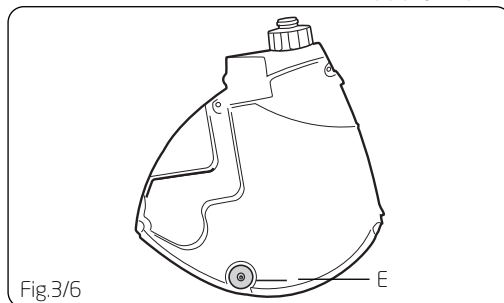


Fig.3/6

Fill tank completely with hot tap water (max 50°C). Replace cap. Be sure the valve (D) is in the cap ring (C) before screwing the cap back on the tank (Fig.3/5).

Place tank back onto cleaner (Fig.3/7), pressing firmly to be sure tank is fully positioned.

**CAUTION:** Avoid solution contact with the eyes and skin. In case of contact with eyes, flush with cold water for 15 minutes. In case of contact with skin, wash with water. If irritation persists, consult your GP.

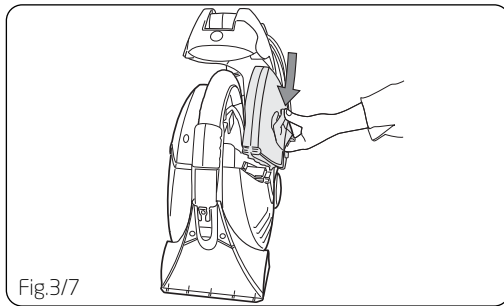


Fig.3/7

### Emptying the Recovery Tank

**IMPORTANT:** Unplug carpet cleaner from electrical outlet. An automatic shut-off device prevents the carpet cleaner from picking up more dirty water than it can hold in the recovery tank.

You will know the tank needs to be emptied -

- When the motor sound rises in pitch.
- You do not see dirty solution coming up through the recovery tank lid.
- The float (A) inside the recovery tank has risen to the top of the tank (Fig. 3/8), and is visible through the lid window (B).

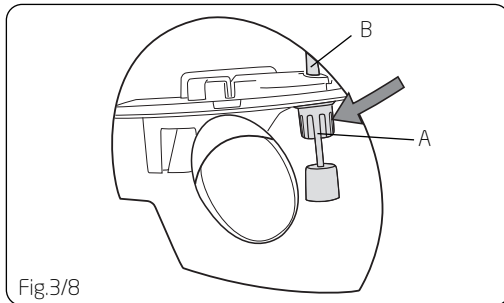


Fig.3/8

Step on handle release pedal (C) to lower handle and unlock the recovery tank (Fig.3/9).

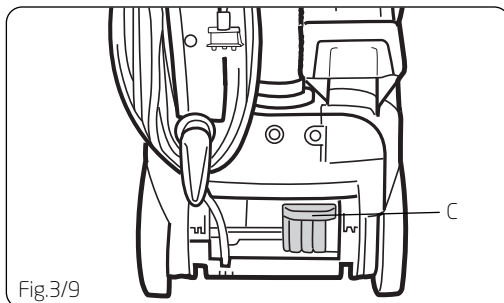


Fig.3/9

Lift up on tank (D) and pull off (Fig.3/10).

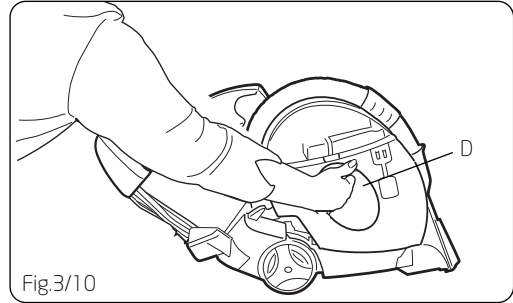


Fig.3/10

Lift up on tank lid latches (E) and remove the tank lid (F), including the float (G) (Fig.3/11). Empty tank.

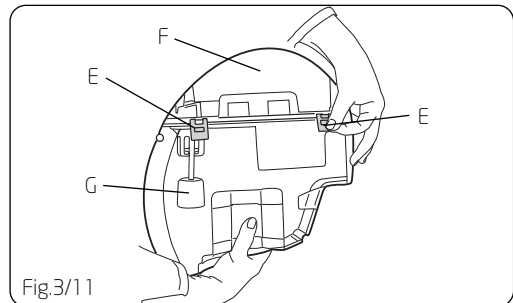


Fig.3/11

Replace lid. Secure both latches (E) (Fig.3/11).

**NOTE:** For full suction, it is important that the recovery tank lid is properly secured before replacing or operating.

Remove any debris that has collected on lint filter (H) on cleaner body (Fig.3/12 and inset).

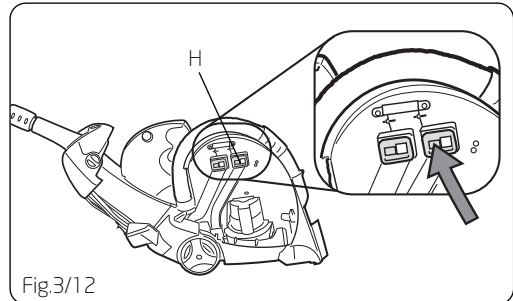


Fig.3/12

Place tank onto cleaner. Return handle to upright position.

### Transporting

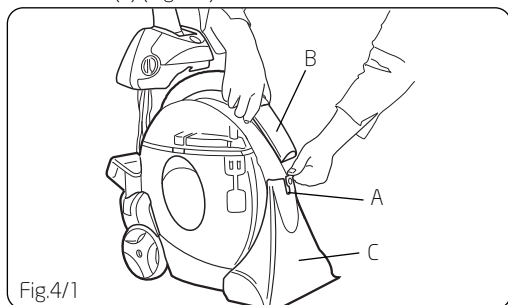
Your carpet cleaner may be transported easily by the convenient carrying handle (see item 4, page 2).

## 4. Hose and Tools

### Using the Hose

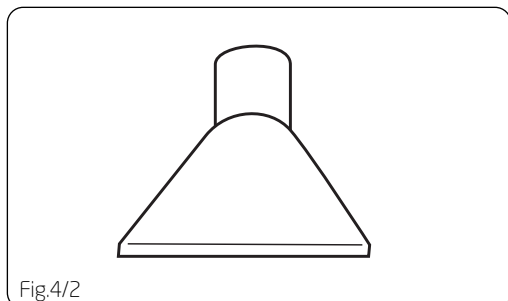
Place handle in upright, storage position.

Press on the tab (A) to remove the hose wand (B) from the floor nozzle (C) (Fig.4/1).

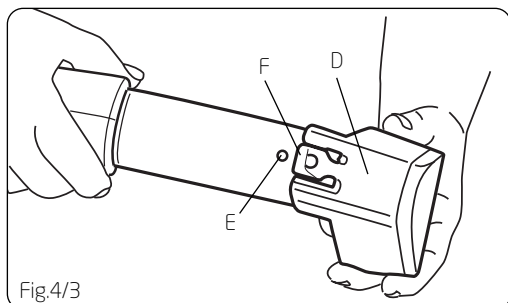


### Attaching Tool

**Stair/upholstery nozzle** has a built-in brush to help provide the scrubbing action some spots may need for removal (Fig.4/2).



Slide tool (D) onto end of hose wand. Snap tool over bump (E) on wand (Fig.4/3).

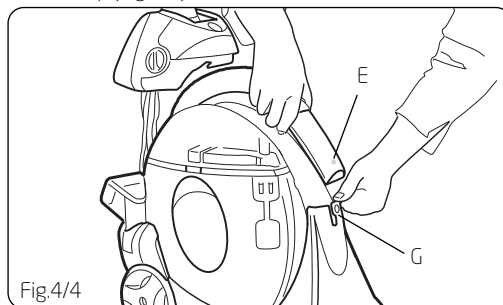


### Removing Tool

To remove tool: Push forward and up on tab (F). Slide tool off hose wand.

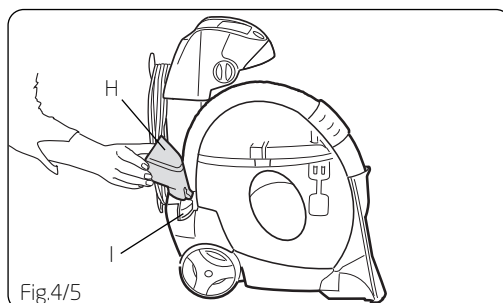
### Storing Hose and Tool

To return hose wand to storage position, align bump (E) on wand with hole (G) in nozzle and push in firmly until you hear a snap (Fig.4/4).



**NOTE:** Hose wand must be returned to floor nozzle storage position in order for cleaner to be used in the upright position for floor cleaning.

Store upholstery nozzle (H) over projection (I) on back of cleaner for storage (Fig.4/5).



## 5. Cleaning Carpet

Remove lightweight furniture (tables, lamps, etc.) from area to be cleaned.

Protect any remaining furniture by pinning up furniture skirts and placing aluminum foil or plastic under legs.

Vacuum carpet thoroughly to remove loose dirt, hair, lint and other debris (Fig.5/1).

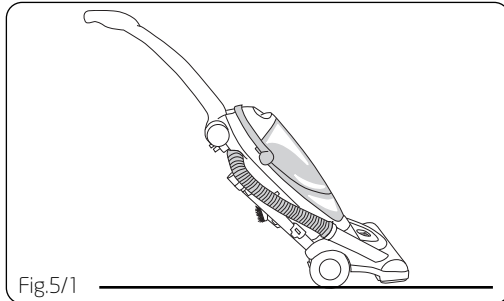


Fig.5/1

Test solution for colorfastness on a hidden area of carpet. Wet a white cloth or paper towel with some solution. Gently rub onto a hidden area of carpet. Wait ten minutes. Blot with white cloth or paper towel and check for color transfer.

Pretreat spots, stains and high traffic areas with Vax Pre-Treatment Spray (Fig.5/2).

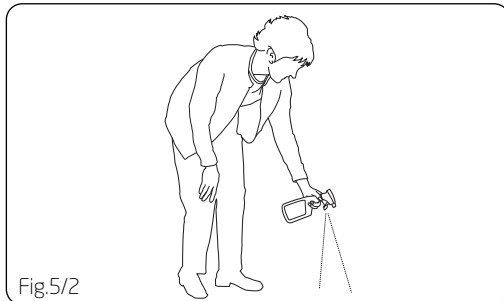


Fig.5/2

Fill solution tank with hot tap water (max water temperature 50°C) and proper amount of Vax cleaning solution (see page 4) (Fig.5/3).

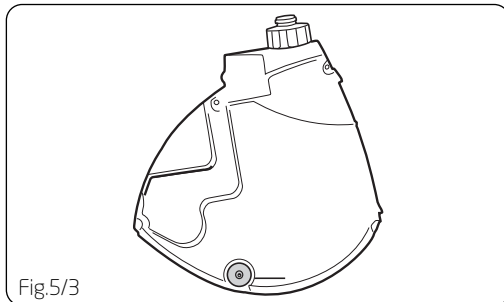


Fig.5/3

**NOTE:** Use only Vax brand solutions in your carpet cleaner. Other brands may damage the carpet cleaner.

To reduce the risk of fire, do not use a flammable or combustible liquid to clean floor.

Plan your cleaning to avoid walking on wet carpet. Start at the end of the room farthest from the exit and work in small sections (Fig.5/4).

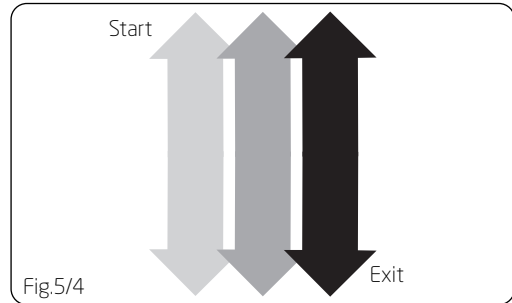


Fig.5/4

Raise handle from storage position until it locks in place. Slide collar (A) on telescoping handle (B) to adjust handle to desired height. (Fig.5/5). Step on handle release pedal and lower handle. Turn cleaner ON.

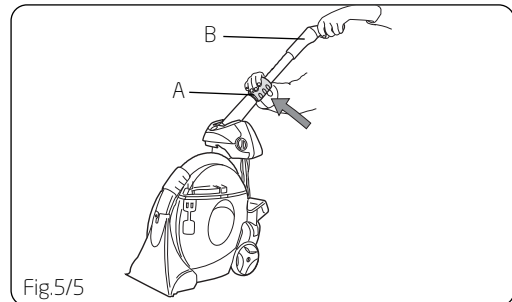


Fig.5/5

Squeeze and hold trigger to release cleaning solution (Fig.5/6). Push cleaner forward SLOWLY then pull it back SLOWLY.

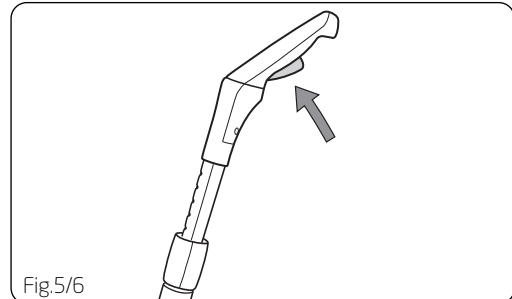


Fig.5/6

Let go of trigger and push carpet cleaner over same area to pick up dirty solution without putting down more solution.

www.vax.co.uk

Continue using dry strokes until you see only a little solution coming up through the nozzle (front of extractor) or recovery tank lid.

**Do not make the carpet too wet!** Use no more than two sets of forward and backward strokes while releasing solution. Always follow with dry strokes - the more the better.

Listen carefully! When the motor sound changes (rises in pitch), the recovery tank needs to be emptied. When water has reached the maximum capacity in the recovery tank, the float will rise to the top of the tank and the cleaner will NOT pick up dirty solution.

Allow carpet to dry. Avoid walking on the carpet until it is dry. Increased air circulation (open doors, turn on fans, etc.) will help carpet dry thoroughly.

Vacuum thoroughly after carpet has dried. This will reduce any shading left by the carpet cleaner's brushes.

**NOTE:** No cleaning solution removes all stains from all carpets. Stain removal varies with the type of spill, time passed before removal, carpet material, and carpet type.

## 6. Cleaning Upholstery

**! IMPORTANT:** Check fabric manufacturer's instructions to confirm that it is alright to use your carpet cleaner to clean the upholstery.

Vacuum upholstery thoroughly with your vacuum cleaner's attachments.

Test solution for colorfastness on a hidden area of upholstery. Wet a white cloth or paper towel with some solution. Gently rub onto a hidden area of upholstery. Wait ten minutes. Blot with white cloth or paper towel and check for color transfer.

Pretreat spots and stains with Vax Pre-Treatment Spray (Fig.6/1).

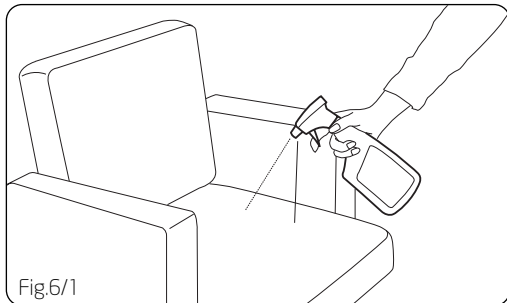


Fig.6/1

Fill solution tank with hot tap water (max water temperature 50°C) and proper amount of Vax cleaning solution (see page 4) (Fig.6/2).

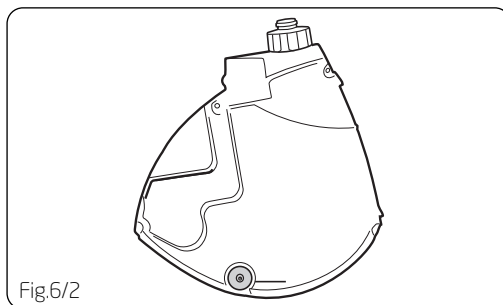


Fig.6/2

**NOTE:** Use only Vax brand solutions in your carpet cleaner. Other brands may damage the carpet cleaner.

Place handle in upright, storage position. Press on the tab (A) to remove the hose wand (B) from the floor nozzle (C) (Fig.6/3).

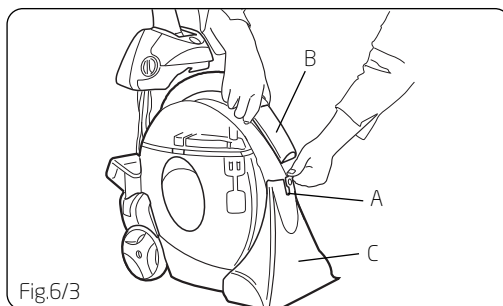


Fig.6/3

Slide tool (D) onto end of hose wand. Snap tool over bump (E) on wand (Fig.6/4).

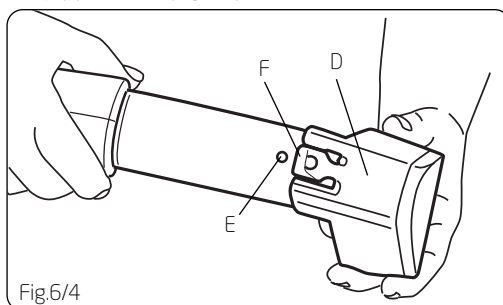


Fig.6/4

Squeeze and hold trigger (A) to release cleaning solution. Gently press tool into fabric and slowly pull the tool over the fabric (Fig.6/5).



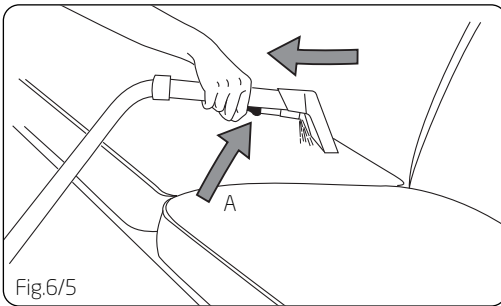


Fig.6/5

Let go of trigger and pull tool over same area to pick up dirty solution without putting down more solution. Continue using dry strokes until you see only a little solution coming up through the tool.

**Do not make the upholstery too wet!** Use no more than two strokes while releasing solution. Always follow with dry strokes - the more the better.

Listen carefully! When the motor sound changes (rises in pitch), the recovery tank need to be emptied. When water has reached the full line in the recovery tank, the cleaner will NOT pick up dirty solution.

Allow upholstery to dry. Avoid using upholstery until it is dry. Increased air circulation (open doors, turn on fans, etc.) will help upholstery dry thoroughly to prevent the growth of mold or mildew.

## 7. Maintenance

### Cleaning the Nozzle

Unplug carpet cleaner from electrical outlet.

Wipe debris off nozzle and front of cleaner with a damp cloth (Fig.7/1).

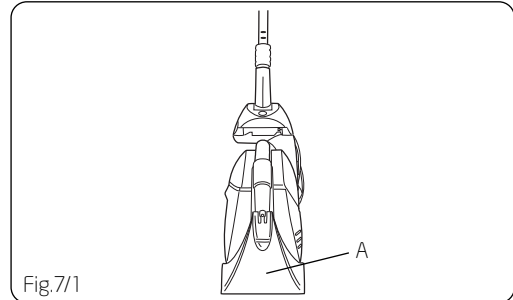


Fig.7/1

### Cleaning the Brushes

Unplug carpet cleaner from electrical outlet.

Remove solution and recovery tanks to prevent possible leaks.

Tilt cleaner back so handle rests on the floor (Fig.7/2).

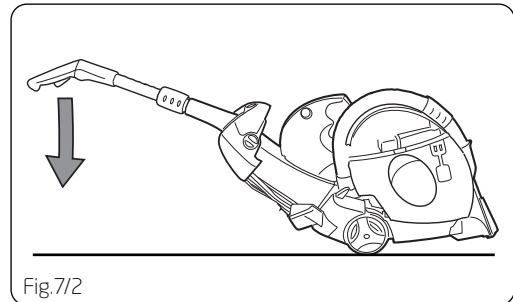


Fig.7/2

Remove any carpet fibers or strings that may be attached to the brushes (Fig.7/3).

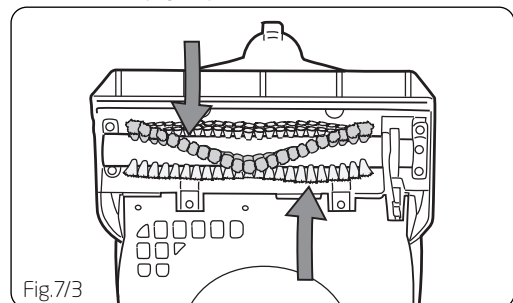


Fig.7/3

Empty solution tank and rinse thoroughly.

Place empty solution tank on carpet cleaner. Turn carpet cleaner ON. Squeeze trigger and push carpet cleaner forward and back several times, using the cleaner to pick up the remaining liquid. This will clear any solution remaining inside the cleaner.

## 8. Storage

Empty recovery tank, rinse thoroughly and let air dry.

Allow brushes and underside of carpet cleaner to air dry thoroughly before storing carpet cleaner on a carpeted or wood surface.

Push up on the collar (A) and lower the telescoping handle.

Rotate knob (B) backwards to drop the upper handle into storage position (Fig.8/1).

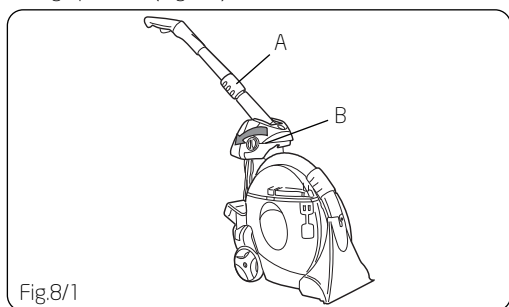


Fig.8/1

To store the cleaner, ensure all tanks are clean, empty and dry.

## 9. Troubleshooting

**! WARNING:** To reduce the risk of personal injury, unplug the vacuum cleaner before performing maintenance or troubleshooting checks.

**PROBLEM: The cleaner won't run.**

**Cause:** Not properly plugged into electrical outlet.

**Solution:** Plug in firmly.

**Cause:** No electricity in electrical outlet.

**Solution:** Check fuse or breaker.

**Cause:** ON/off switch not turned on.

**Solution:** Push on/off switch to 'on'.

**Cause:** Blown fuse/tripped breaker.

**Solution:** Reset circuit breaker or replace fuse.

**PROBLEM: Cleaner won't pick up/loss of suction.**

**Cause:** Dirty water tank is full.

**Solution:** Switch off and unplug cleaner. Empty dirty water tank as shown in Section 3.

**Cause:** Recovery tank and lid not correctly installed.

**Solution:** Replace tank and lid securely.

**Cause:** Hose/wand tool not securely in position.

**Solution:** Securely position hose/tool in floor nozzle.

**Cause:** Lint filter blocked.

**Solution:** Check lint filter and remove any debris.

**PROBLEM: Brushes won't rotate.**

**Cause:** Handle is not in the operating position.

**Solution:** Brushes only rotate when the handle is in the reclined, floor cleaning position.

**Cause:** Circuit breaker tripped.

**Solution:** Turn cleaner off and unplug. Check for obstructions in the brush bar. Allow the cleaner to cool, then switch on and continue cleaning.

**PROBLEM: Low suction in hose.**

**Cause:** Tool not properly connected.

**Solution:** Securely attach tool to tool connector.

**Cause:** Handle is not in upright, storage position.

**Solution:** Make sure handle is in upright position.

**Cause:** Recovery tank is full - automatic shut-off engaged.

**Solution:** Make sure handle is in upright position.

**Cause:** Handle is not in upright, storage position.

**Solution:** Switch off and unplug cleaner. Empty dirty water tank as shown in Section 3.

**Cause:** Lint filter blocked.

**Solution:** Check lint filter and remove any debris.

## 10. UK Service & Help

### Vax Care 0870 6061248

Monday-Friday 8.00am to 6.00pm  
Saturday-Sunday 9.00am to 5.00pm

An answerphone is available outside of these hours. Any queries or concerns about using the Vax, call the Vax Careline. Calls are charged at the UK national rate.

Please make a note of the serial number and model number of the carpet cleaner before calling. There are over 400 approved Vax Service Agents in the UK. For the nearest Service Agent, please call the Vax Careline.

[www.vax.co.uk](http://www.vax.co.uk)

## 11. Technical Specification

Voltage:	220-240V ~50Hz
Wattage:	700 W
Capacity:	Clean water tank - 1.8 litres Dirty water tank - 1.3 litres
Cord length:	6 metres
Weight:	8 kg

Subject to technical change without notice.





### EEC STATEMENT OF COMPLIANCE

Manufacturer/EEC importer: Vax Limited, hereby on our own responsibility, declare that the V-128 Agility Compact carpet cleaner is manufactured in compliance with the following Directives:

**Safety:** 2006/95/EC Low Voltage Directive  
**EMC:** 2004/108/EC Electromagnetic Compatibility Directive



Waste electrical products should not be disposed of with household waste. Please recycle where facilities exist. Check with your Local Authority or retailer for recycling advice.

Vax Ltd., Kingswood Road, Hampton Lovett, Droitwich, Worcestershire, WR9 0QH, UK  
email: [info@vax.co.uk](mailto:info@vax.co.uk) - website: [www.vax.co.uk](http://www.vax.co.uk)

## Free Manuals Download Website

<http://myh66.com>

<http://usermanuals.us>

<http://www.somanuals.com>

<http://www.4manuals.cc>

<http://www.manual-lib.com>

<http://www.404manual.com>

<http://www.luxmanual.com>

<http://aubethermostatmanual.com>

Golf course search by state

<http://golfingnear.com>

Email search by domain

<http://emailbydomain.com>

Auto manuals search

<http://auto.somanuals.com>

TV manuals search

<http://tv.somanuals.com>