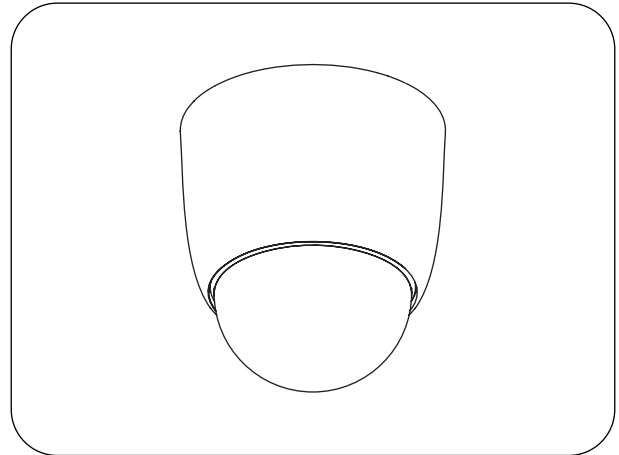


# CEILING MOUNTING COVER

# C-BC511C C-BC511C-S

Thank you for purchasing TOA ceiling mounting cover.  
Please carefully follow the instructions in this manual to ensure long, trouble-free use of your equipment.



## 1. SAFETY PRECAUTIONS

- Before installation or use, be sure to carefully read all the instructions in this section for correct and safe operation.
- Be sure to follow all the precautionary instructions in this section, which contain important warnings and/or cautions regarding safety.
- Keep this instructions handy for future reference.



### CAUTION

Indicates a potentially hazardous situation which, if mishandled, could result in moderate or minor personal injury, and/or property damage.

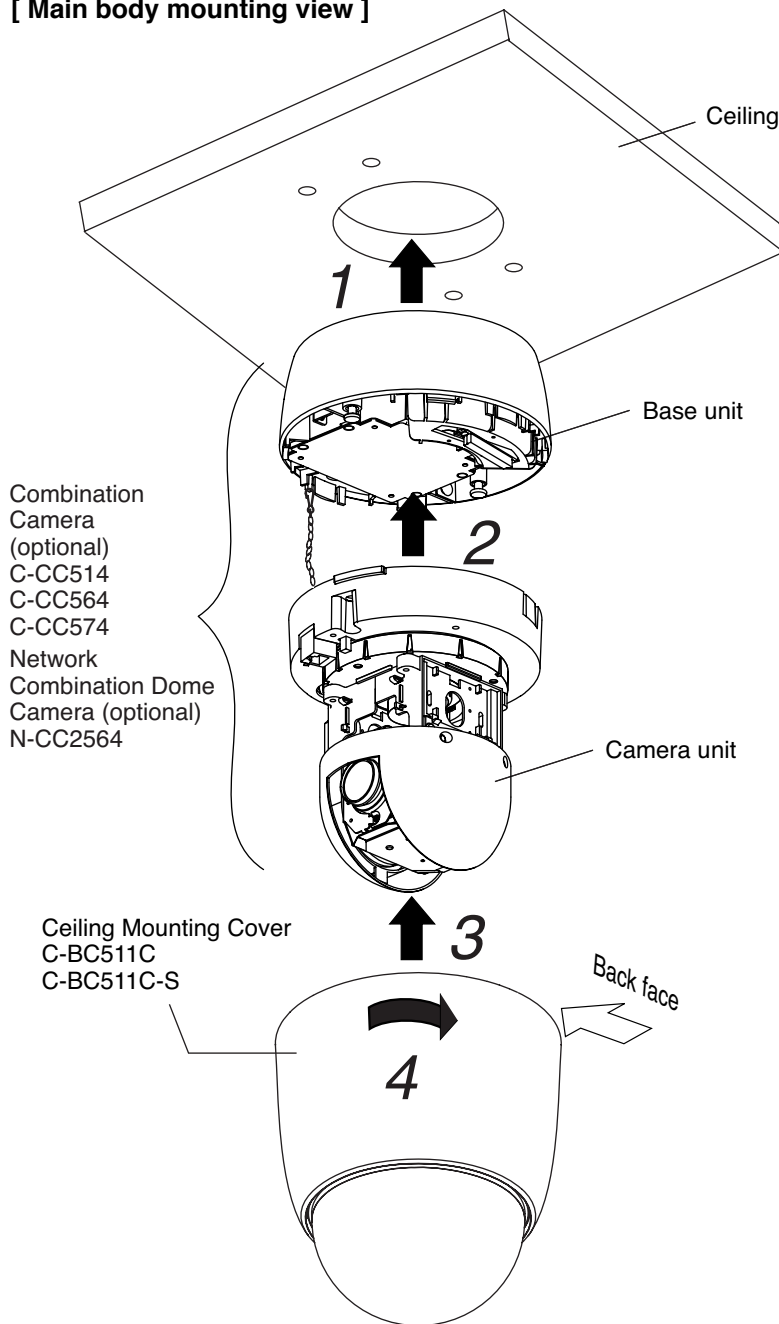
- Attach the ceiling mounting cover to the camera's base unit securely. If not attached securely, the cover could fall off, resulting in personal injury.

## 2. GENERAL DESCRIPTION

The ceiling mounting cover is designed to be used for mounting the Combination Camera (C-CC514, C-CC564 and C-CC574) and/or Network Combination Dome Camera (N-CC2564) to a ceiling directly. Using this cover in conjunction with the C-BC511P Ceiling Suspension Bracket or the C-BC511W Wall Mounting Bracket also permits the camera to be suspended from the ceiling or mounted to the wall. Two types of ceiling mounting covers are available: the C-BC511C (transparent cover version) and C-BC511C-S (smoked cover version). Since camera orientation cannot be seen from outside the enclosure when the C-BC511C-S is used, it is more effective in enhancing the effect of surveillance.

### 3. INSTALLATION

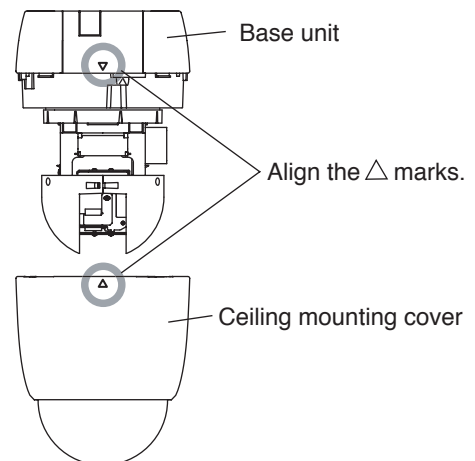
#### [ Main body mounting view ]



Be sure to carefully read the installation manual supplied with the camera.

1. Attach the base unit to the ceiling.  
Mounting anchor bolt (female screw) : M4
2. Connect cables and attach the camera unit to the base unit.
3. Align the ceiling mounting cover's positioning mark with that on the base unit and insert the camera unit to the base unit.
4. Rotate the ceiling mounting cover clockwise until it locks into place.

#### [ Back view ]



### 4. SPECIFICATIONS

Finish	Case : PC/ ABS resin, cool gray Dome cover : Acrylate resin, transparent (C-BC511C) : Acrylate resin, smoked (transmittance: approx. 20 %) * (C-BC511C-S)
Dimensions	$\phi 168$ (W) X $182.2$ (H) mm ( $\phi 6.6$ (W) X $7.2$ (H) inch), (dome external diameter : $\phi 125$ mm ( $\phi 4.9$ inch))
Weight	220 g (0.5 lb)
Applicable camera	C-CC514, C-CC564, C-CC574, N-CC2564

\* When using the C-BC511U-S, the subject's illumination must at least be 5 times brighter than when using the C-BC511C.

**Note:** The design and specifications are subject to change without notice for improvement.



## Free Manuals Download Website

<http://myh66.com>

<http://usermanuals.us>

<http://www.somanuals.com>

<http://www.4manuals.cc>

<http://www.manual-lib.com>

<http://www.404manual.com>

<http://www.luxmanual.com>

<http://aubethermostatmanual.com>

Golf course search by state

<http://golfingnear.com>

Email search by domain

<http://emailbydomain.com>

Auto manuals search

<http://auto.somanuals.com>

TV manuals search

<http://tv.somanuals.com>