

INSTALLATION MANUAL

FLAT LCD DISPLAY MOUNT MODEL

WB-31 Swingout Arm Mount



TOA ELECTRONICS, INC.

601 Gateway Boulevard, Suite 300
South San Francisco, California 94080
Telephone (650) 588-2538 Fax (650) 588-3349
<http://www.toaelectronics.com>

TABLE OF CONTENTS

Parts List.....	4
Installation Tools	4
Backplate Installation - Wood stud.....	5
Backplate Installation - Concrete Surface	6
WM-31 Installation.....	7
Installing the Monitor	8
Adjusting the Swingout Arm	9
Adapter Plate Installation	10
Technical Specifications	11

Warning Statements

WARNING: THE WALL STRUCTURE MUST BE CAPABLE OF SUPPORTING AT LEAST A MAXIMUM WEIGHT OF 50 LBS. IF NOT, THE WALL MUST BE REINFORCED. PROPER INSTALLATION PROCEDURE BY A QUALIFIED SERVICE TECHNICIAN, AS OUTLINED IN THE INSTALLATION INSTRUCTIONS, MUST BE ADHERED TO. FAILURE TO DO SO COULD RESULT IN SERIOUS PERSONAL INJURY, OR EVEN DEATH.

WARNING: SAFETY MEASURES MUST BE PRACTICED AT ALL TIMES DURING THE INSTALLATION OF THIS PRODUCT. USE PROPER SAFETY GEAR AND TOOLS FOR THE INSTALLATION PROCEDURE TO PREVENT PERSONAL INJURY.

WARNING: PRIOR TO THE INSTALLATION OF THIS PRODUCT, THE INSTALLATION INSTRUCTIONS SHOULD BE READ AND COMPLETELY UNDERSTOOD. THE INSTALLATION INSTRUCTIONS MUST BE READ TO PREVENT PERSONAL INJURY AND PROPERTY DAMAGE. KEEP THESE INSTALLATION INSTRUCTIONS IN AN EASILY ACCESSIBLE LOCATION FOR FUTURE REFERENCE.



Indicates that the power plug is to be disconnected from the power outlet.



Safety precautions must be taken at all times.



Warning and Caution statements.



A secure structure must support the weight, or load, of the display. When mounting to a wall that contains wooden studs, dead center of the wooden stud must be confirmed prior to installation.



Do not install on a structure that is prone to vibration, movement or chance of impact. Failure to do so could result in damage to the display and/or damage to the mounting surface.



Do not install near heater, fireplace, direct sunlight, air conditioning or any other source of direct heat energy. Failure to do so may result in damage to the display and could increase the risk of fire.



At least two qualified people should perform the installation procedure. Injury and/or damage can result from dropping or mishandling the display.




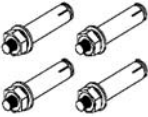
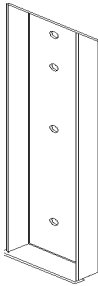
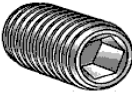

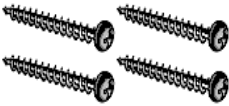

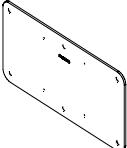
Recommended mounting surfaces: wooden studs and solid-flat concrete. If the mount is to be installed on any surface other than wooden studs, use suitable hardware (which is commercially available).












Contact Orion Images with any technical/ installation questions.

Parts List




NOTE: This mount is shipped with all intallation hardware and components. Make sure that none of these parts are missing and/ or damaged before beginning installation. If there are parts missing and/or damaged, please stop and contact **TOA Electronics, Inc.**

Swingout Arm (Qty 1)	
1/4" Wedge Anchors (Qty 4). These are used only for concrete installations.	
Mounting Backplate (Qty 1)	
M6 x 35mm Set Screw (Qty 1)	
M4 x 10mm Phillips Head Screws (Qty 4)	
#14 x 2" Wood Screw (Qty 4)	
200x200 Adapter Plate (Qty 1)	
100x200 Adapter Plate (Qty 1)	

200x200 ADAPTER HARDWARE

M6 x 30mm Phillips Pan Head Screws (Qty 4)	
M6 x 20mm Phillips Pan Head Screws (Qty 4)	
M6 x 12mm Phillips Pan Head Screws (Qty 4)	
M5 x 16mm Phillips Pan Head Screws (Qty 4)	
M5 x 12mm Phillips Pan Head Screws (Qty 4)	
M4 x 20mm Phillips Pan Head Screws (Qty 4)	
M5 Flat Washer (Qty 4)	
M4 Flat Washer (Qty 4)	
M4 x 16mm SEMS Phillips Pan Head Screw (Qty 4)	

100x200 ADAPTER HARDWARE

M4 x 5mm Phillips Pan Head Screws (Qty 4)	
M4 x 6mm Phillips Pan Head Screws (Qty 4)	
M4 x 10mm Phillips Flat Head Screws (Qty 6)	

Installation Tools

Phillips Head Screw Driver	Soft Material/ Blanket	1/2" Socket and Wrench	Pencil
Tape Measure	Drill Gun	Level (Supplied)	
14mm Socket (Supplied)	Ratchet with 9/16" Drive Socket		
M3 Allen Wrench (Supplied)	Stud Finder (Commercially Available)		

Backplate Installation - Wood Stud

NOTE: These installation instructions will apply to the WB-31 Swingout Arm Mount.

The following steps will outline how the back plate will be mounted.

1. Determine where the mount location will be.
2. Use a stud finder (sold separately) to locate the nearest wall stud.
3. Once the wall stud has been located, dead-center of the wall stud must be determined.
4. After this has been determined, line-up the holes of the backplate.

- NOTE:** Be sure that the end of the back plate that has a “lip” is pointing down (Figure 1).
5. Use the provided wood screws to attach the back plate to the wall (Figure 2).

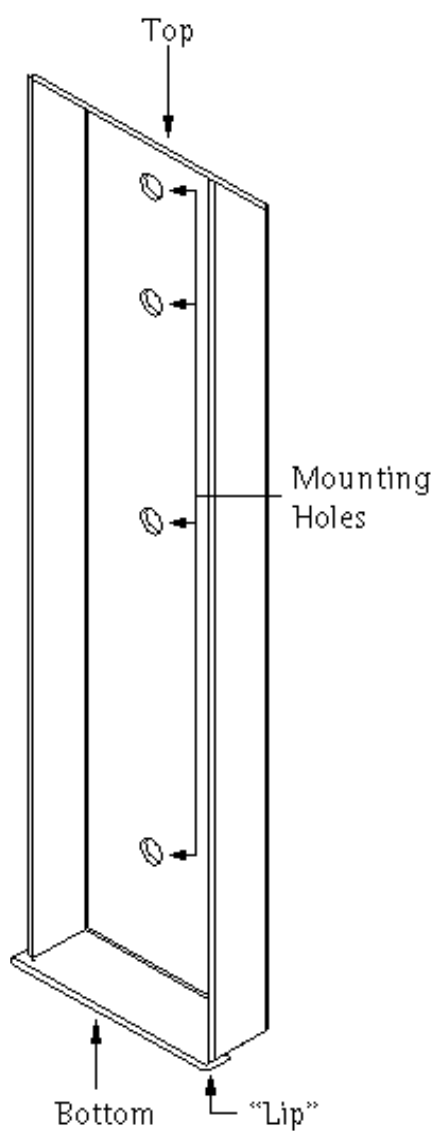


Figure 1. Backplate Mount

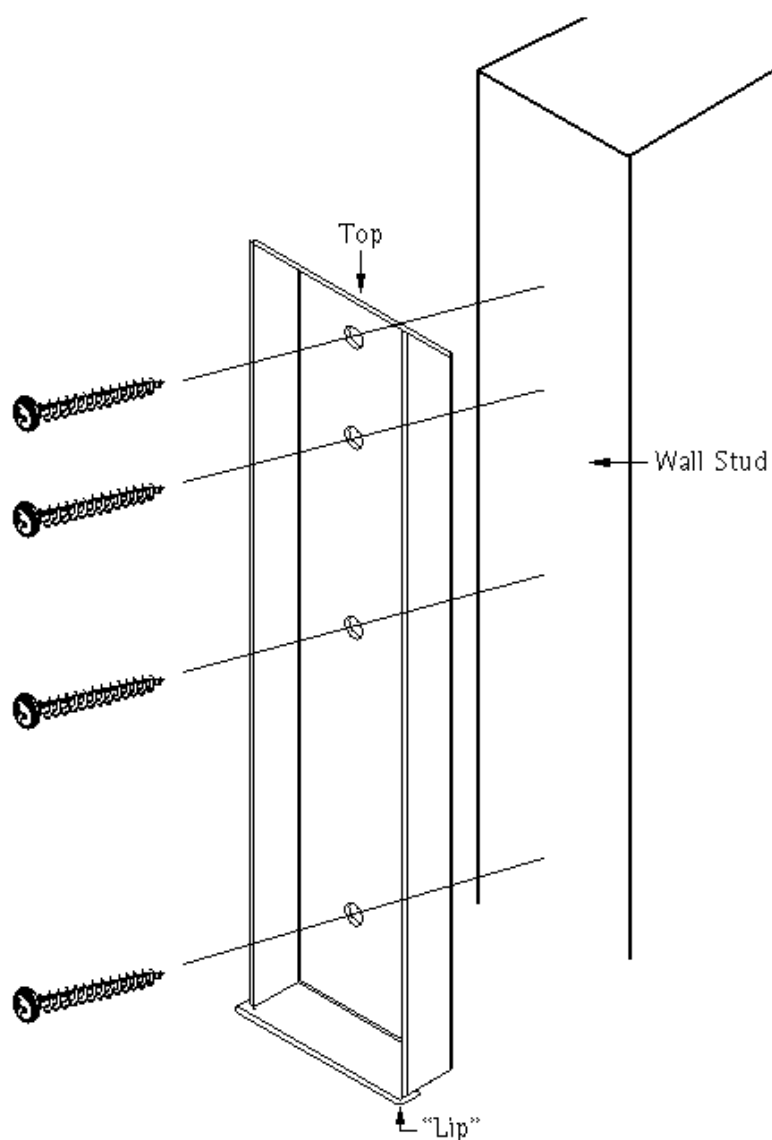


Figure 2. Backplate Installation

Backplate Installation - Concrete Surface

NOTE: These installation instructions will apply to the WB-31 Swingout Arm Mount.

The following steps will outline how the back plate will be mounted.

1. Determine where the mount location will be.
2. After this has been determined, line-up the holes of the backplate.

NOTE: Be sure that the end of the back plate that has a lip is pointing as shown in (Figure 3).
3. Once the mounting holes are marked on the wall, use a 5/16" drill bit and drill 4 holes into the concrete surface (Figure 3).
4. Once the holes have been drilled, gently tap the anchor studs into each hole, until the washer is flush (even) with the concrete surface.
5. Place the backplate onto the concrete surface and slowly tighten each nut onto its respective anchor stud (Figure 4).

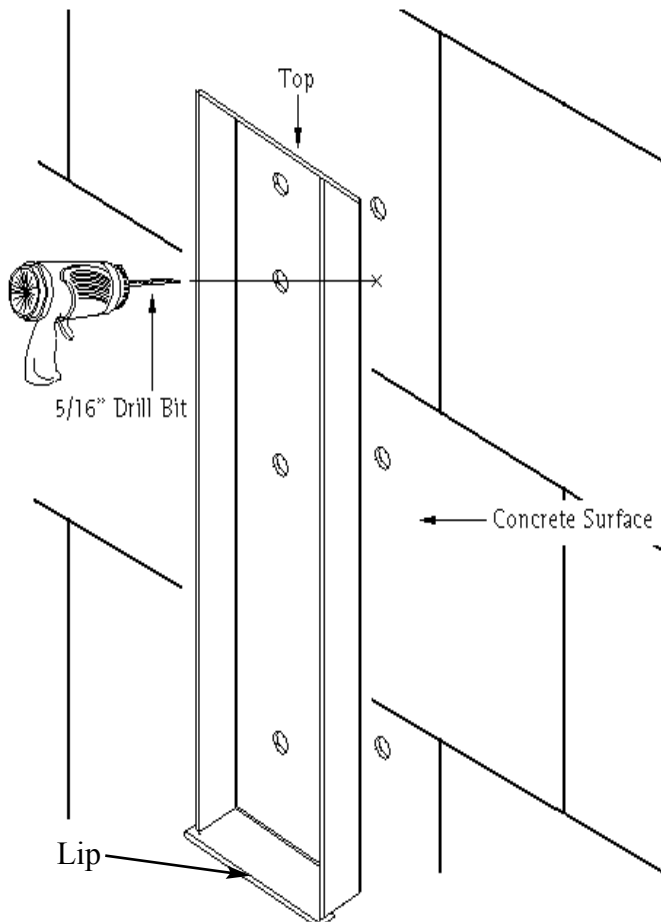


Figure 3. Backplate - Concrete Surface

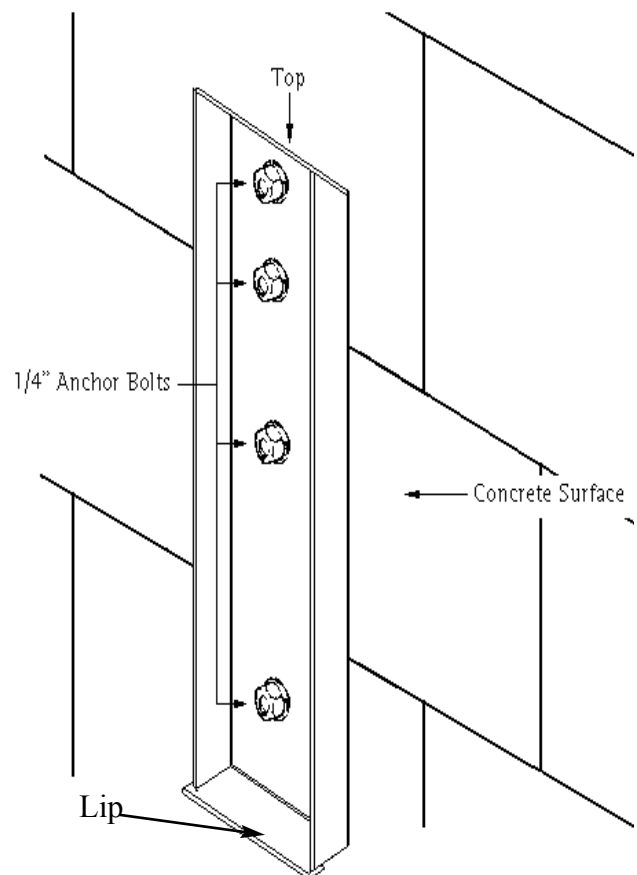


Figure 4. Backplate Installation - Concrete Surface

WB-31 Installation

1. The reverse side of the mount must be mounted to the back plate that is attached to the wall. The back of the mount contains an elongated rectangle (Figure 5). Referring to Figure 5, the back plate receptacle must be placed over the top of the back plate, so that the entire mount “hangs” on the back plate.
2. Locate the access hole at the bottom of the mount base. Install the M6 x 35mm set screw with the M3 Allen wrench.
3. Turn the Allen wrench clockwise (viewed from below) until the screw is secure.

WARNING: Failure to fully tighten the locking screw may result in possible damage to your display.

NOTE: In reference to Figure 5, the dash lines represent the back plate that is mounted to an existing surface.

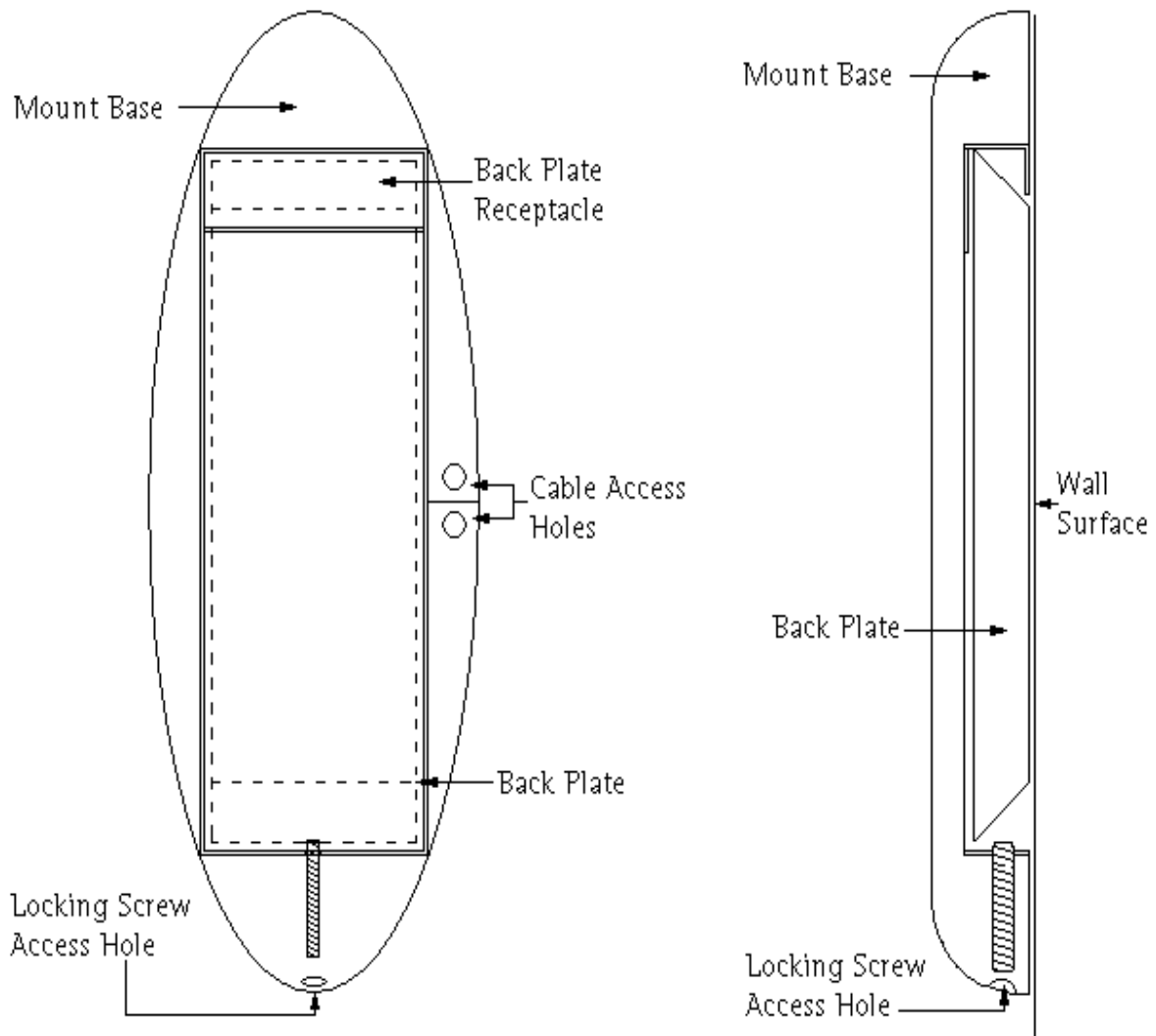


Figure 5. WB-31 Installation

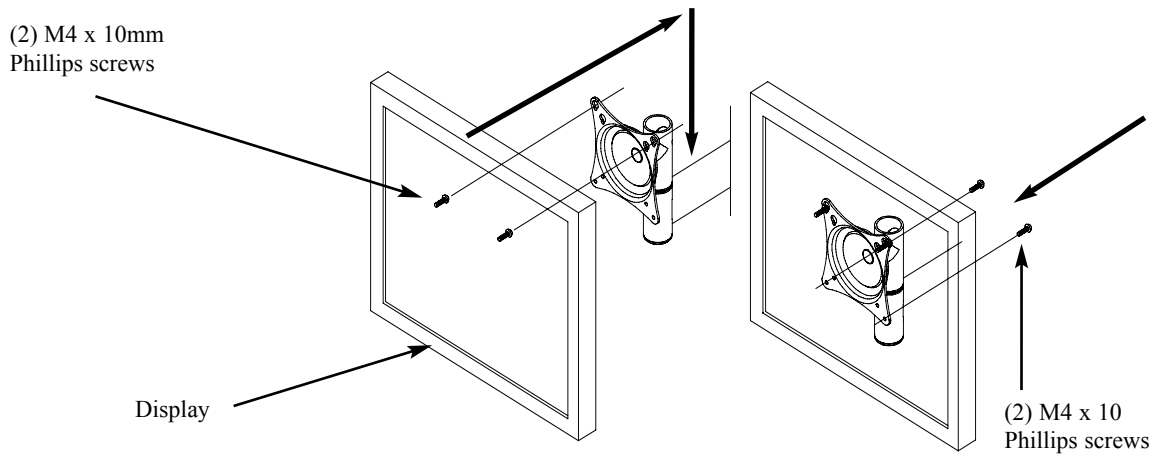


Figure 6. Monitor Installation

Installing the Monitor

1. Loosely tighten two (2) M4 x 10mm Phillips Head screws to the top of the mounting points.
2. Insert the head of the screws through the keyhole slots and then secure the bottom two (2) M4 x 10mm Phillips Head screws to secure the flat panel to the mounts, then tighten the upper M4 x 10mm Phillips Head screws (Figure 6).

CAUTION: Do not over tighten the M4 x 10mm Phillips Head screws, or else damage to the display may occur.

Cable Access

Please refer to Figure 7 for the correct way to route existing any cables.

WB-31 Articulating Swingout Arm - After the monitor has been mounted, remove the cable access plastic

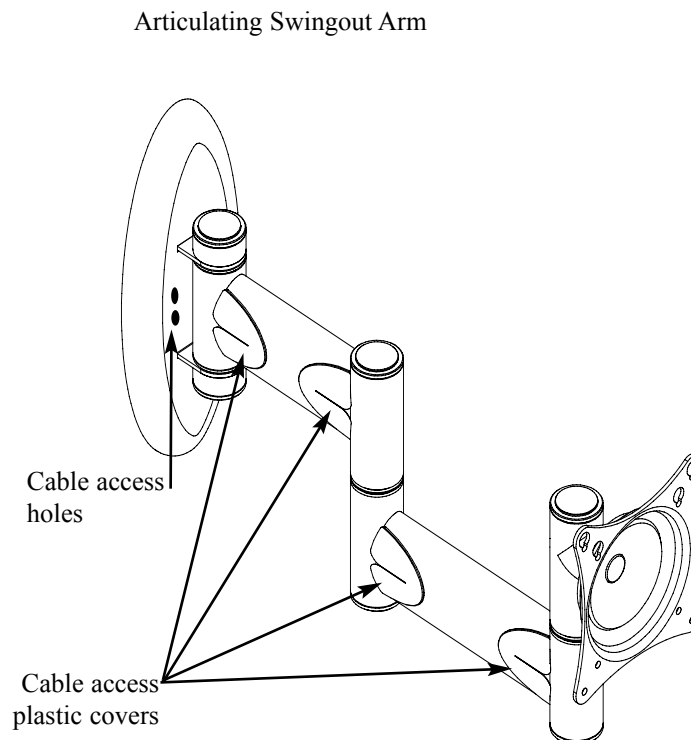


Figure 7. Cable Routing

Adjusting the Swingout Arm

This unit comes pre-tensioned at the factory. To adjust the swingout Arm so that there will not be any movement, perform the following steps (Figure 8).

1. Remove the Plastic End Caps.
2. Take a 9/16" socket and ratchet and tighten the nut.
3. Tighten, or loosen, each joint to the user's satisfaction.
4. Replace the Plastic End Caps.

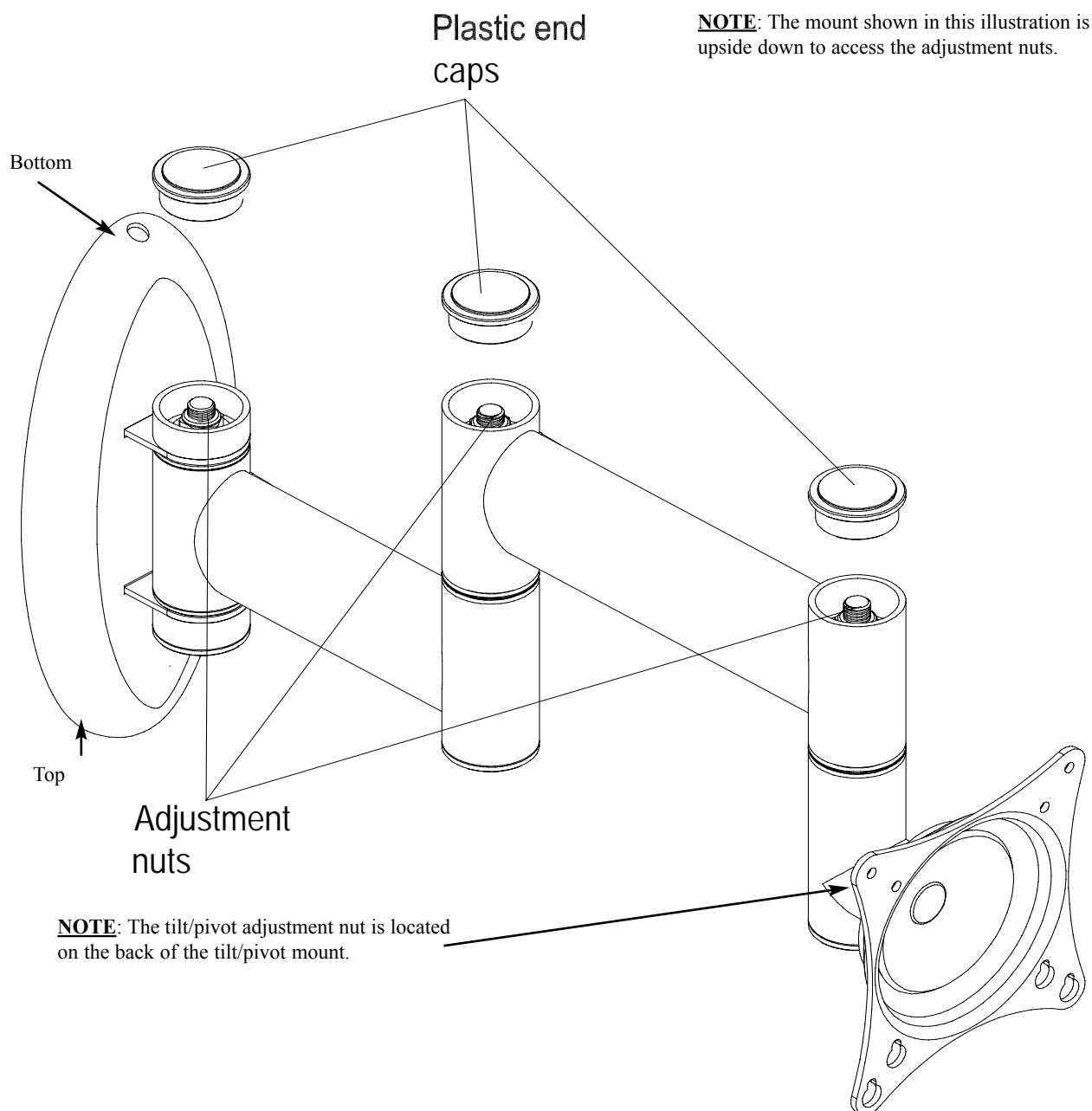


Figure 8. Swing Arm Adjustment

Adapter Plate Installation

NOTE: If your flat panel is not a VESA 75/100, the 200x200 or the 100x200 Adapter Plates must be used.

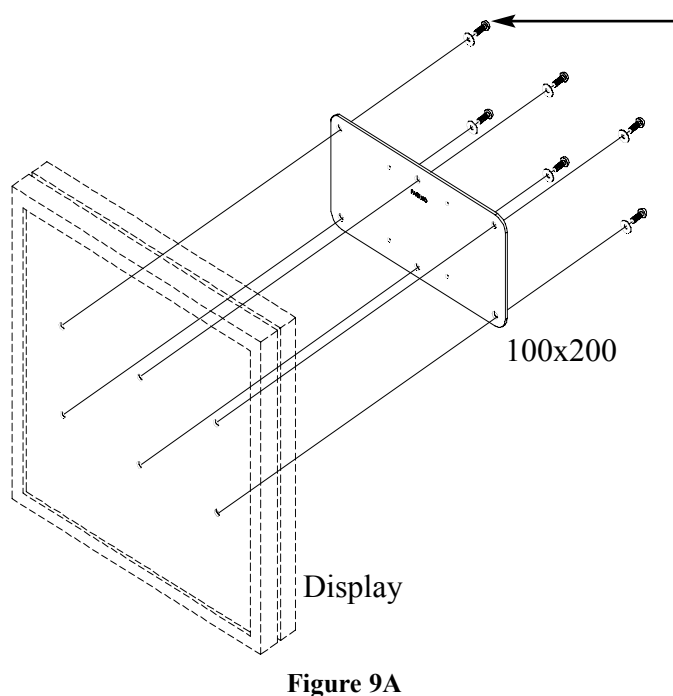
100x200 Adapter Plate

1. Attach the 100x200 Adapter Plate to the back of the display using the provided hardware (see Parts List, page 4).
2. Attach the WB-31 mounting plate to the back of the 100x200 using the M4 x 5 mm screws.

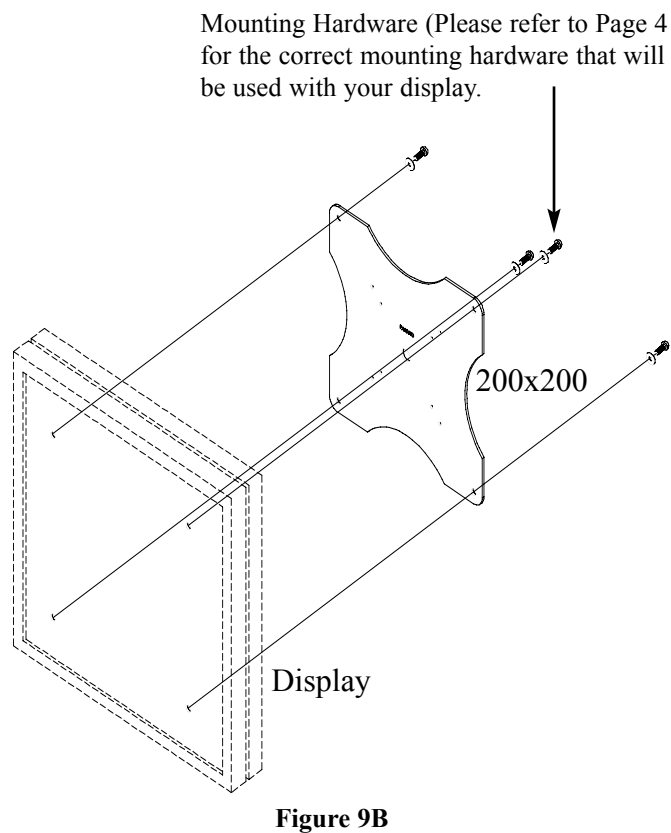
200x200 Adapter Plate

3. Figure 9B: Attach the 200x200 Adapter Plate to the back of the display using the provided hardware (see Parts List, page 4).
4. Attach the WB-31 mounting plate to the back of the 200x200, or the 100x200 using the M4 x 5 mm screws.

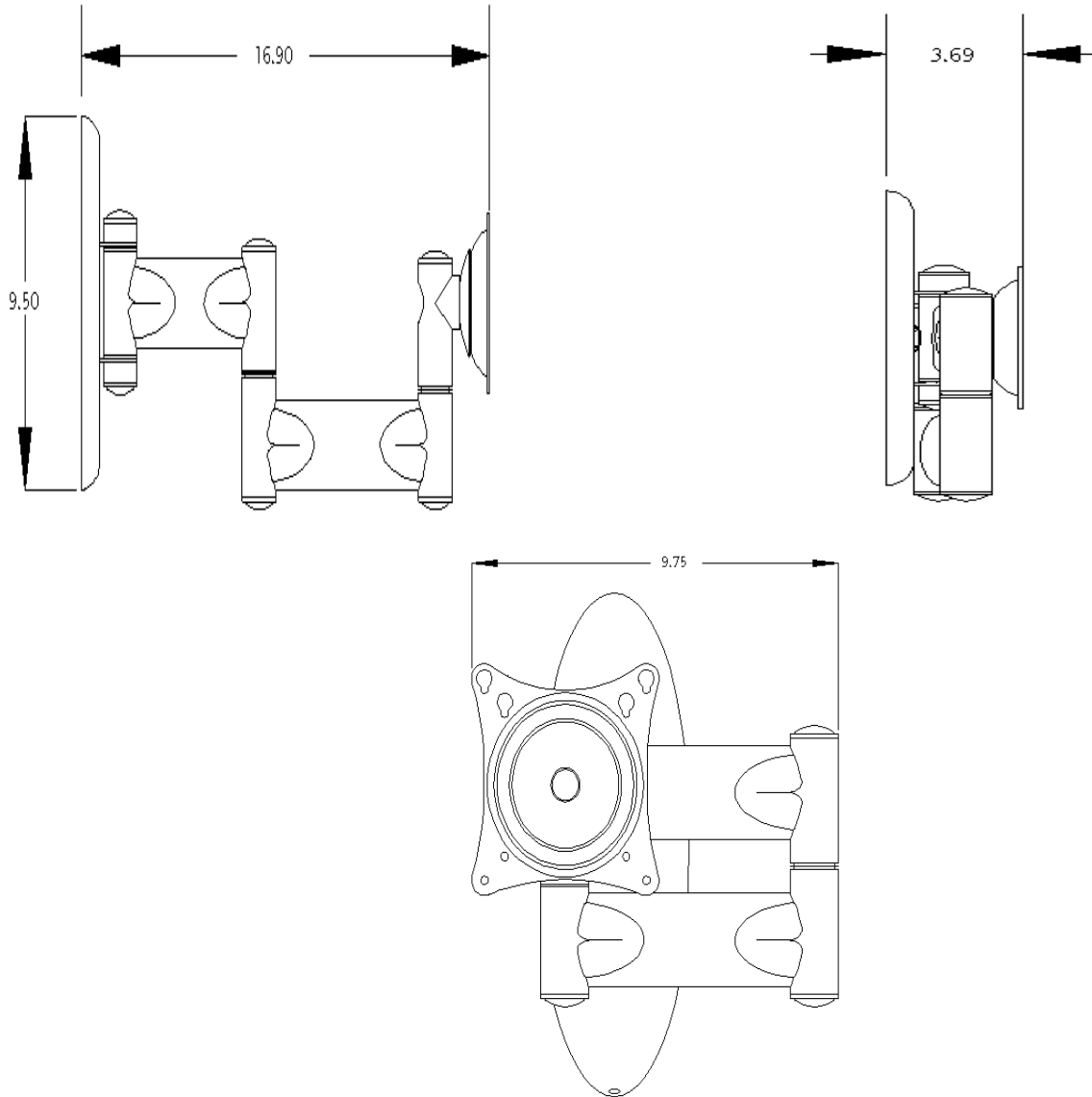
CAUTION: DO NOT OVERTIGHTEN THE SCREWS.



Mounting Hardware (Please refer to Page 4 for the correct mounting hardware that will be used with your display.)



Mounting Hardware (Please refer to Page 4 for the correct mounting hardware that will be used with your display.)

Technical Specifications**Figure 11. WB-31 Swingout Arm**



Free Manuals Download Website

<http://myh66.com>

<http://usermanuals.us>

<http://www.somanuals.com>

<http://www.4manuals.cc>

<http://www.manual-lib.com>

<http://www.404manual.com>

<http://www.luxmanual.com>

<http://aubethermostatmanual.com>

Golf course search by state

<http://golfingnear.com>

Email search by domain

<http://emailbydomain.com>

Auto manuals search

<http://auto.somanuals.com>

TV manuals search

<http://tv.somanuals.com>